



US00D393940S

# United States Patent [19]

Akutsu

[11] Patent Number: **Des. 393,940**

[45] Date of Patent: **\*\*May 5, 1998**

[54] **PORTABLE CASE**

[76] Inventor: **Akira Akutsu**, Itabashi 1-36-4,  
Itabashi-ku, Tokyo 173, Japan

[\*\*] Term: **14 Years**

[21] Appl. No.: **68,571**

[22] Filed: **Mar. 24, 1997**

[30] **Foreign Application Priority Data**

Sep. 3, 1996 [JP] Japan ..... 8-28898

[51] LOC (6) Cl. .... **03-01**

[52] U.S. Cl. .... **D3/226**

[58] Field of Search ..... D3/226, 224, 215,  
D3/228, 232, 233, 234; 224/236, 240, 245,  
901, 904

[56] **References Cited**

**U.S. PATENT DOCUMENTS**

- D. 12,206 3/1881 Lambert ..... D3/243 X
- D. 42,369 3/1912 Potter ..... D3/243
- D. 42,371 3/1912 Potter ..... D3/243
- D. 206,983 2/1967 Knight ..... 224/236 X
- D. 244,488 5/1977 Surie et al. .... D3/243

*Primary Examiner*—Doris V. Coles  
*Assistant Examiner*—Catherine R. Oliver  
*Attorney, Agent, or Firm*—Howson and Howson

[57] **CLAIM**

The ornamental design for a portable case, as shown and described.

**DESCRIPTION**

FIG. 1 is a front elevational view of a portable case, showing my new design;

FIG. 2 is a top plan view thereof;

FIG. 3 is a bottom plan view thereof;

FIG. 4 is a rear elevational view thereof;

FIG. 5 is a left side elevational view thereof;

FIG. 6 is a perspective view thereof, showing the portable case in its opened condition; and,

FIG. 7 is a perspective view showing the portable case in use.

The left side elevational view of the portable case is a mirror image of the right side elevational view.

The broken line showing of environment in FIG. 7 is for illustrative purposes only, and forms no part of the claimed design.

**1 Claim, 3 Drawing Sheets**

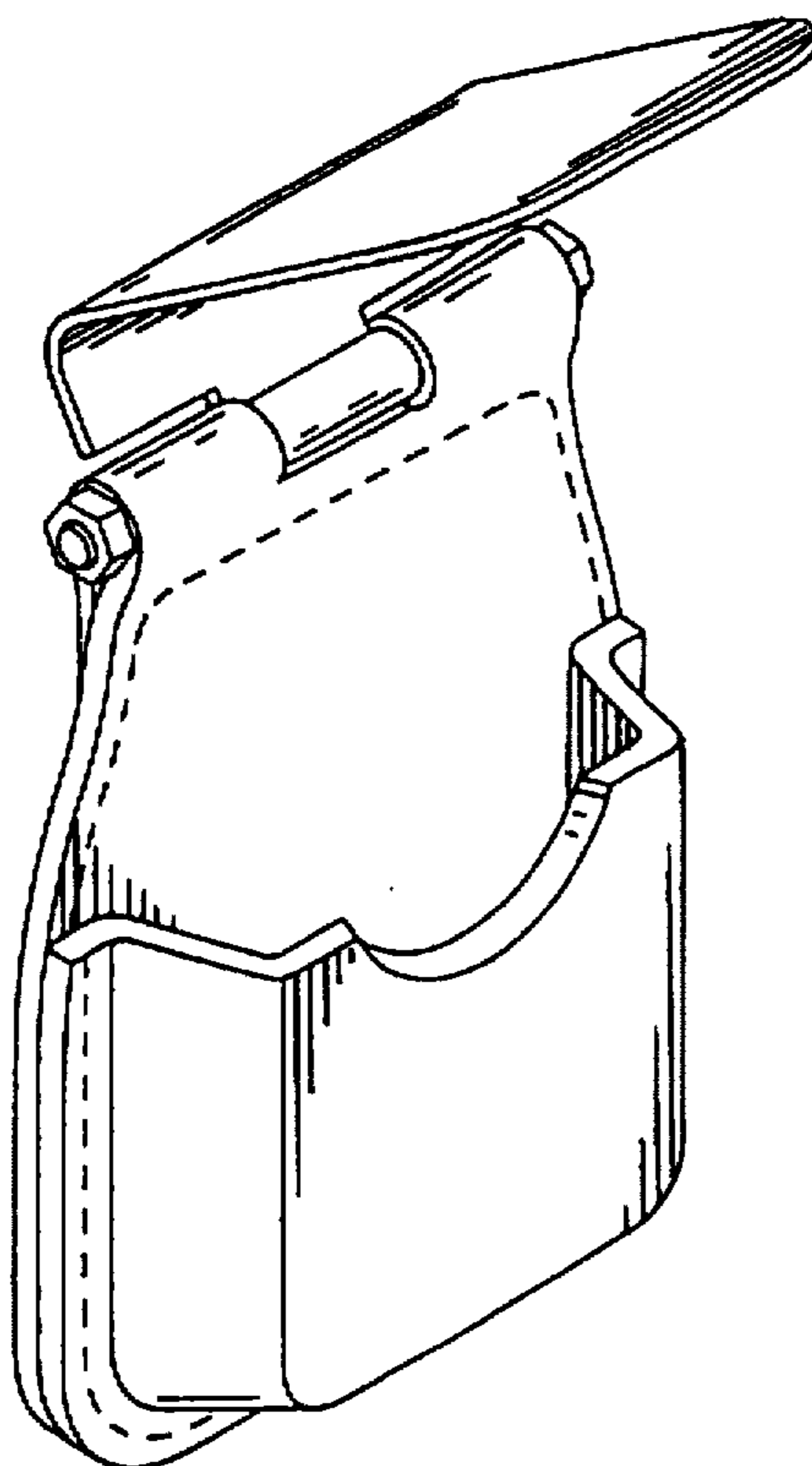


FIG. 2

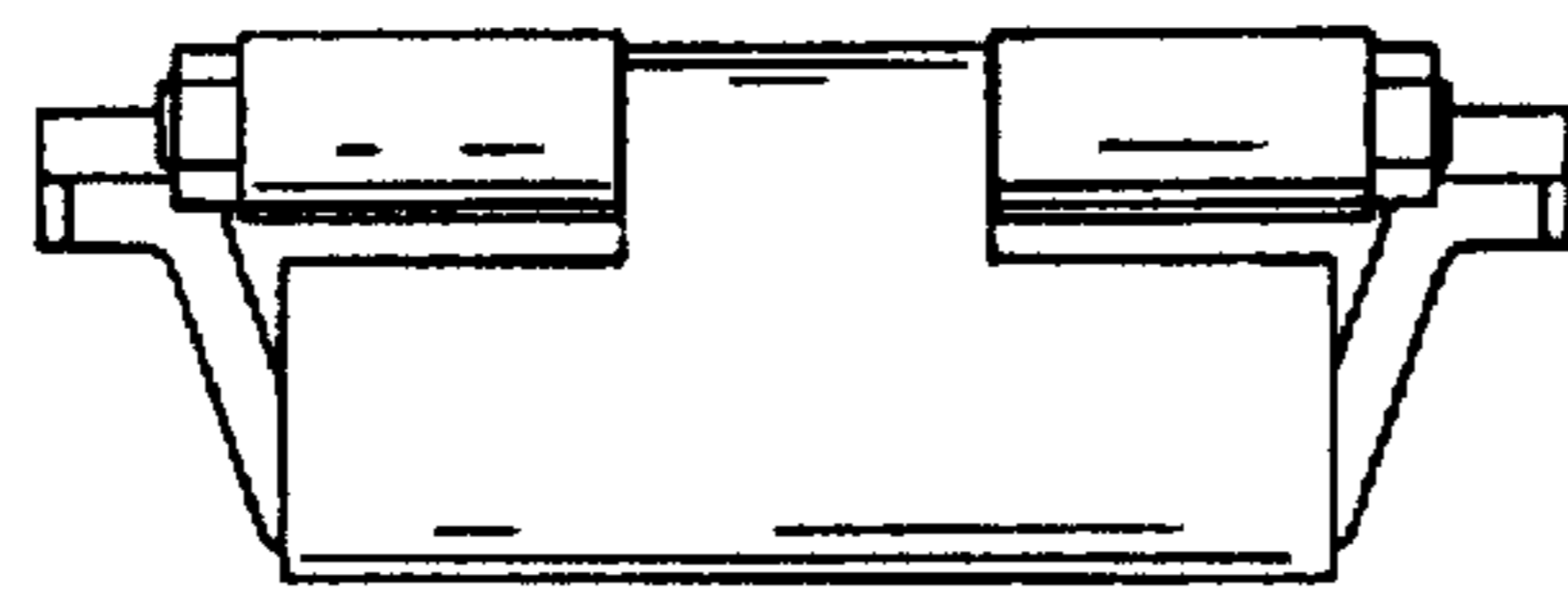


FIG. 3

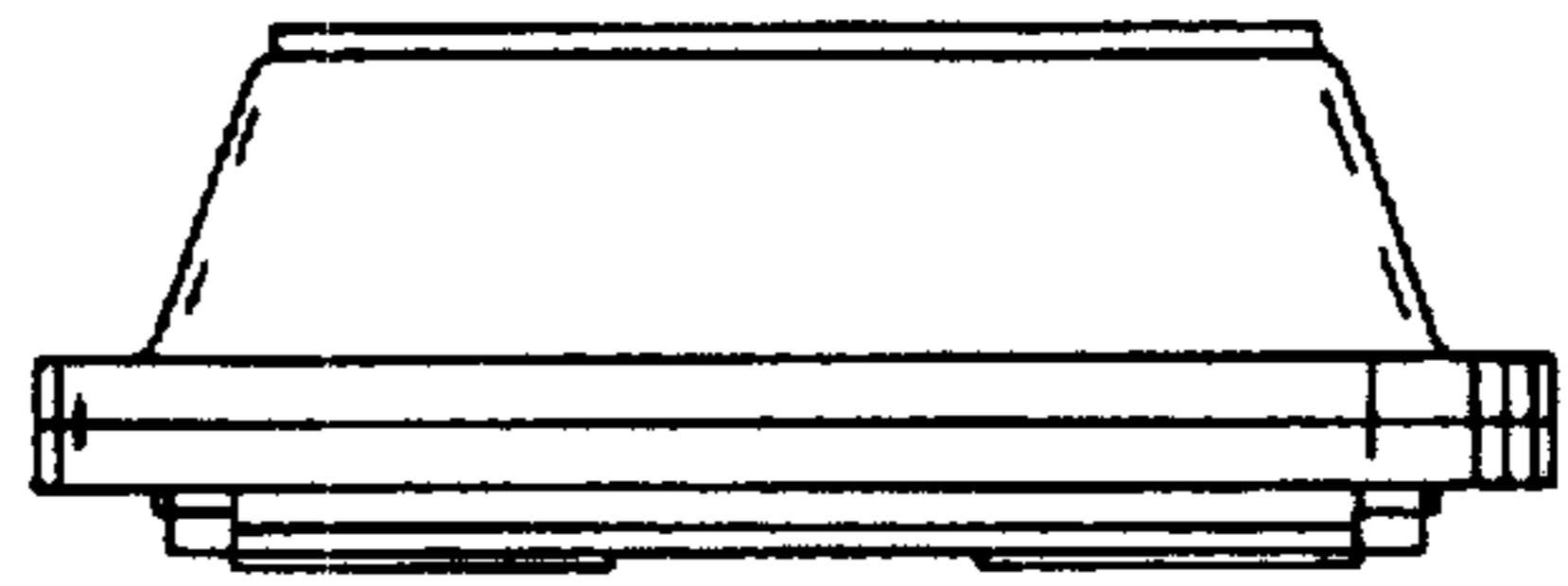


FIG. 5

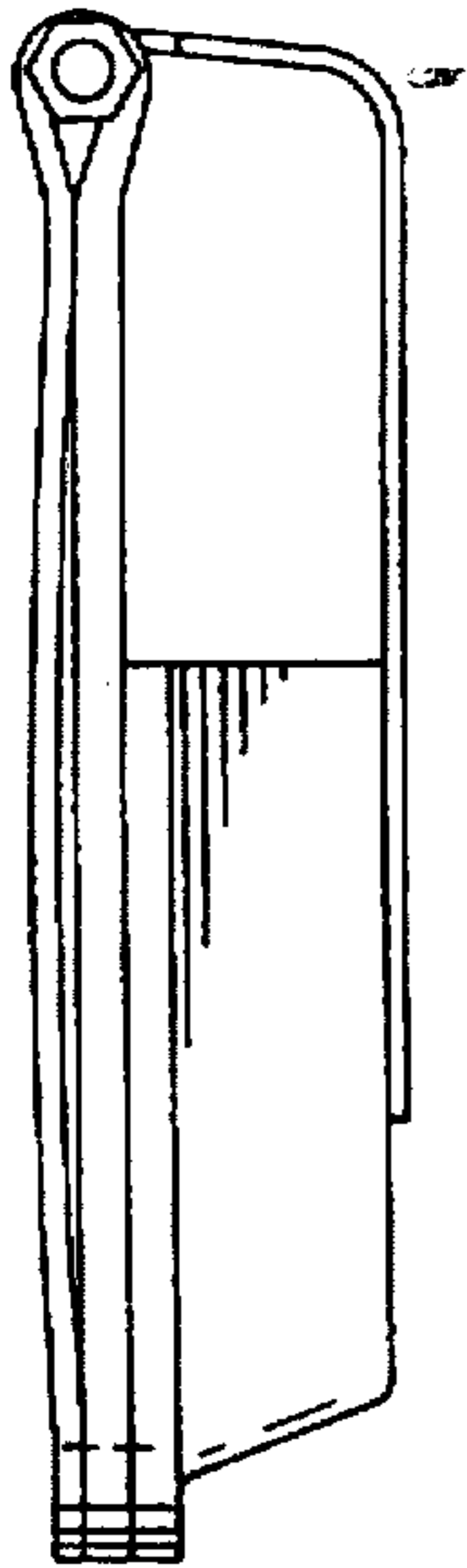


FIG. 1

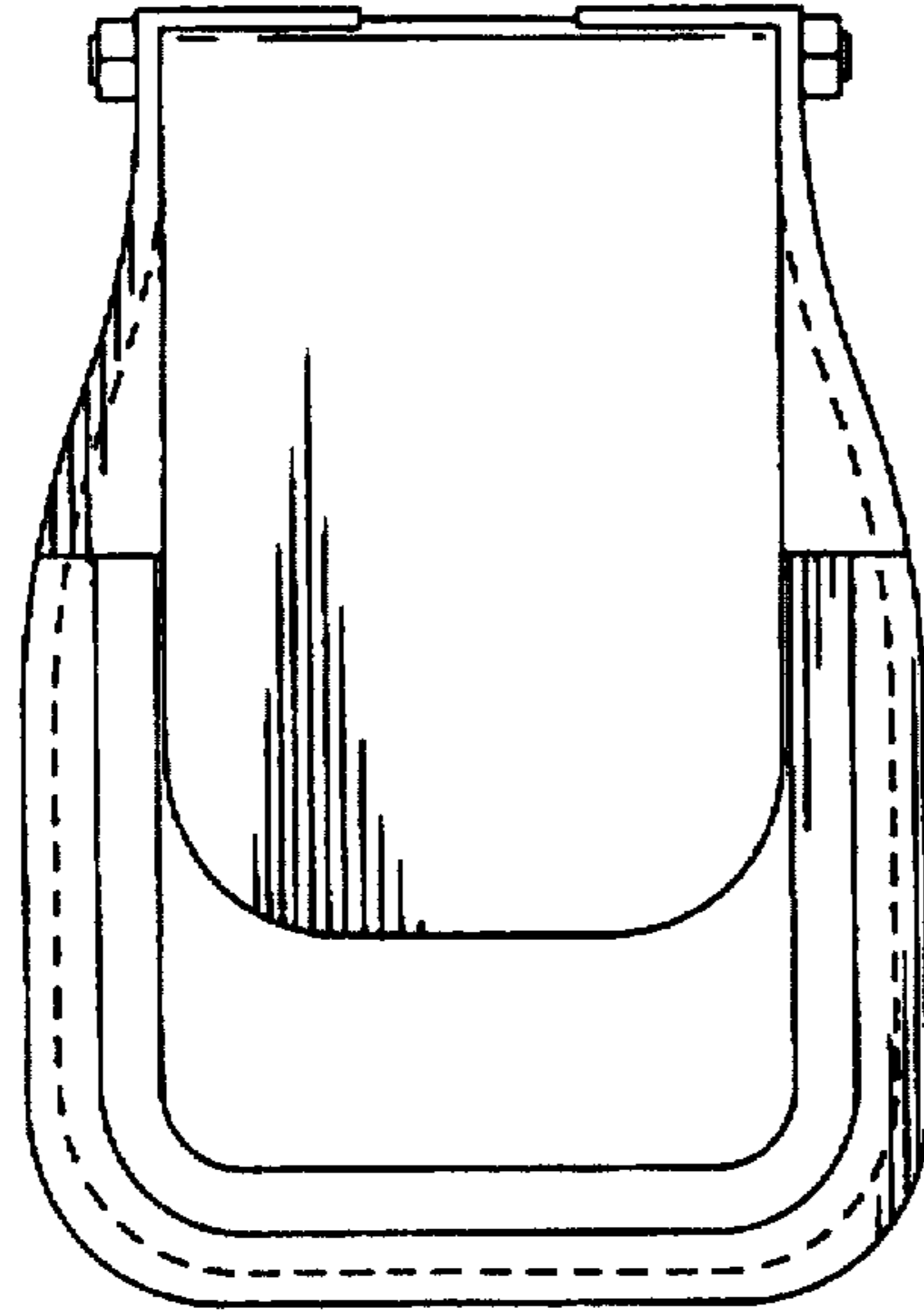


FIG. 4

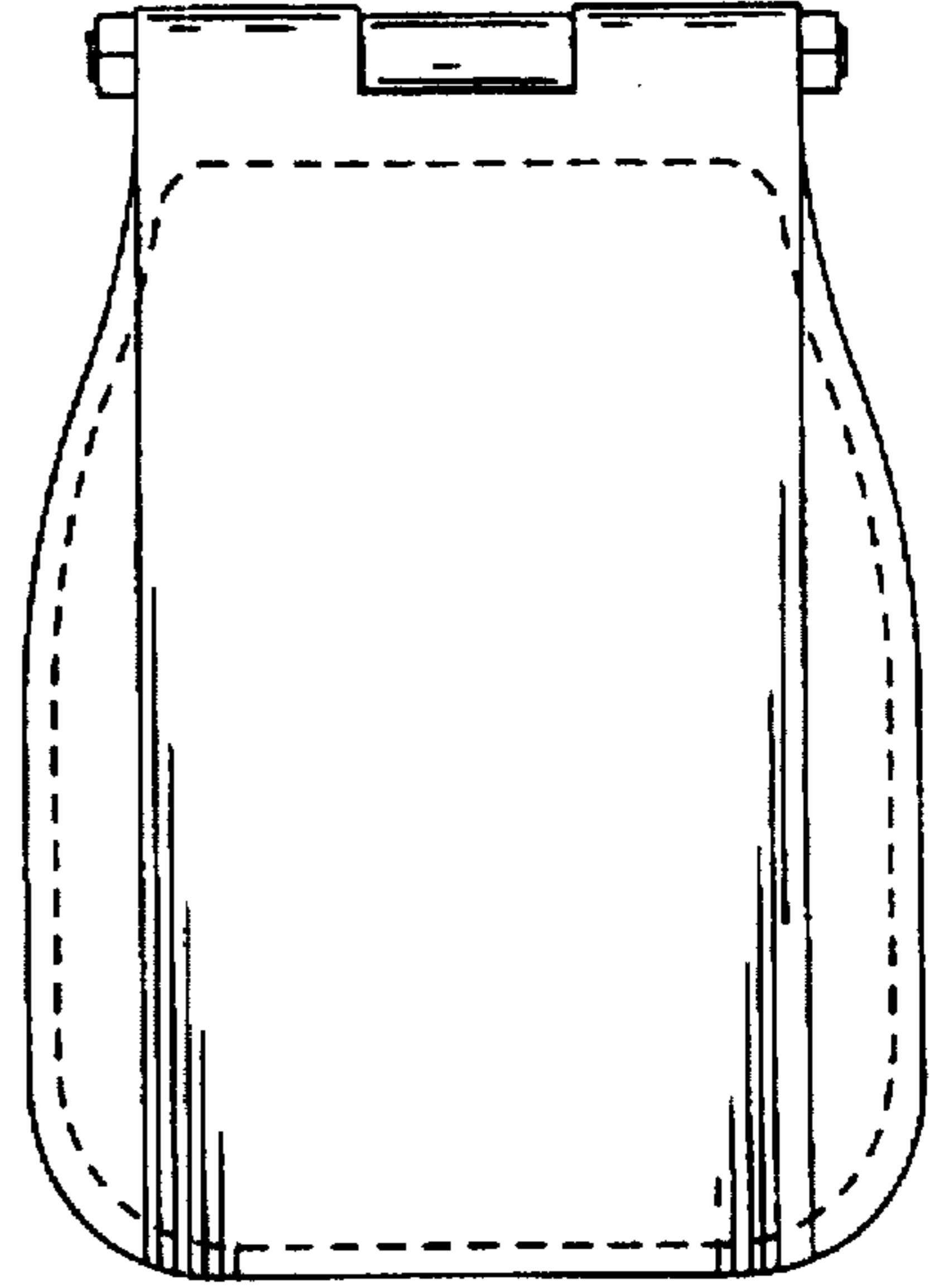


FIG. 6

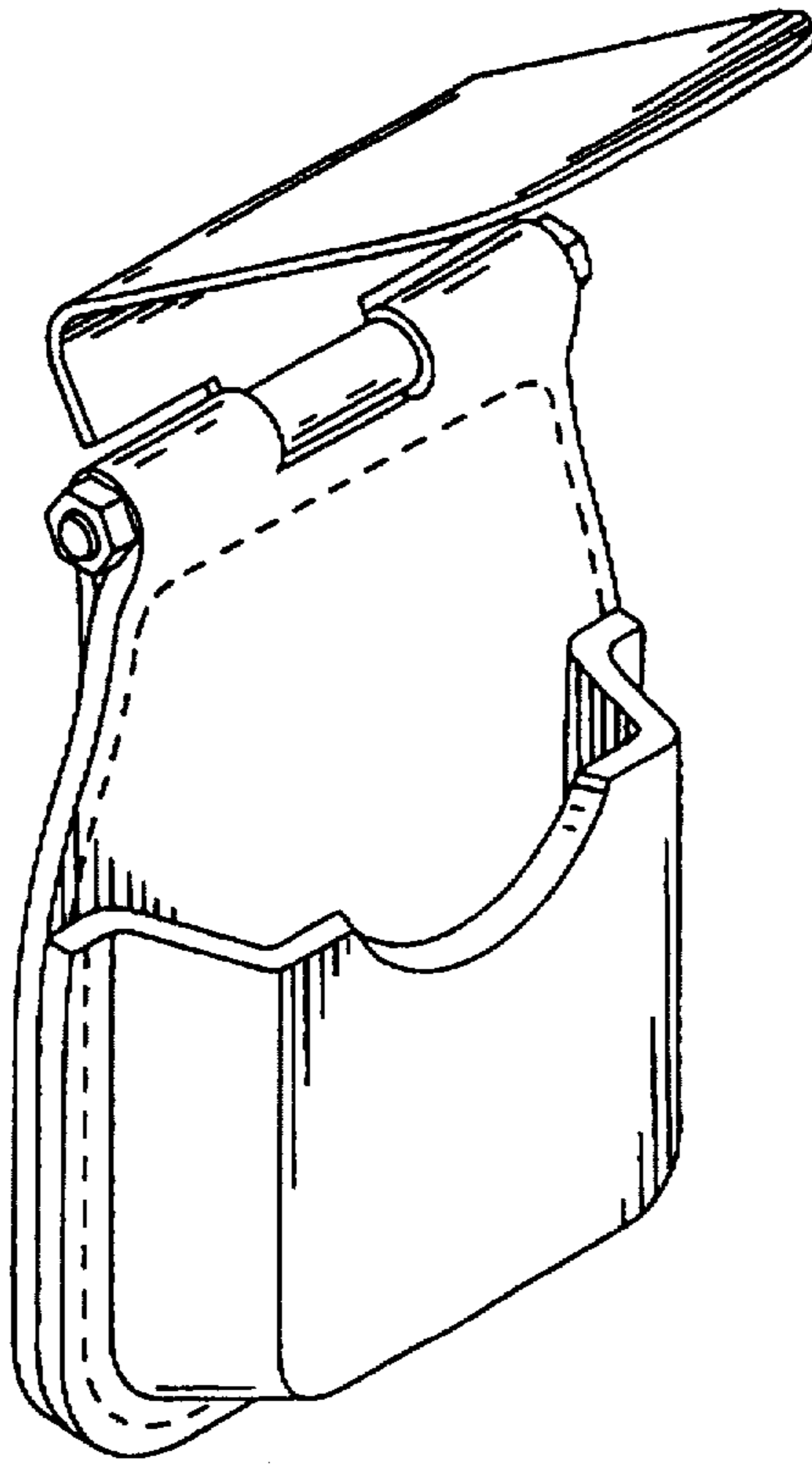


FIG. 7

