



US00D393934S

United States Patent [19]
Harvey

[11] **Patent Number: Des. 393,934**

[45] **Date of Patent: **Apr. 28, 1998**

[54] **GLOVE**

[75] **Inventor: Dean M. Harvey, Beaverton, Oreg.**

[73] **Assignee: Nike, Inc., Beaverton, Oreg.**

[**] **Term: 14 Years**

[21] **Appl. No.: 63,874**

[22] **Filed: Dec. 17, 1996**

[51] **LOC (6) Cl. 29-02**

[52] **U.S. Cl. D29/113; D2/617**

[58] **Field of Search D2/610, 616, 617;
D29/100, 113, 115, 117, 123; 2/16, 159,
160, 161.1, 910; D21/237, 238, 239**

[56] **References Cited**

U.S. PATENT DOCUMENTS

Re. 32,287	11/1986	Willis .	
D. 255,393	6/1980	Sugibayashi	D29/116
D. 299,562	1/1989	Lee	2/16 X
D. 362,927	10/1995	McCrane	D29/117
3,049,717	8/1962	Meyer .	
4,062,073	12/1977	Rhee	2/16
4,183,098	1/1980	Knowles, Jr. .	
4,287,609	9/1981	Amadeo	2/16
4,295,229	10/1981	Clark et al.	2/161.1 X
4,400,829	8/1983	Willis .	
4,411,024	10/1983	Hayes .	
4,575,075	3/1986	Tarbox et al. .	

4,608,720	9/1986	Purin .	
4,635,300	1/1987	Rhee .	
4,689,828	9/1987	Brewer .	
4,881,275	11/1989	Cazares et al. .	
4,894,866	1/1990	Walker .	
4,984,300	1/1991	Cho .	
5,295,269	3/1994	Ballard .	
5,511,242	4/1996	Bianchi	2/16

Primary Examiner—Paula A. Mortimer
Attorney, Agent, or Firm—Klarquist Sparkman Campbell
Leigh & Winston, LLP

[57] **CLAIM**

The ornamental design for a glove, as shown and described.

DESCRIPTION

FIG. 1 is a front perspective view of a glove showing my new design;
FIG. 2 is a right side perspective view thereof;
FIG. 3 is a left side perspective view thereof;
FIG. 4 is a dorsal view thereof;
FIG. 5 is a top end perspective view thereof;
FIG. 6 is a right side perspective view thereof;
FIG. 7 is a palmar view thereof; and,
FIG. 8 is a bottom end perspective view thereof.
The broken line showing of the human form in FIG. 2 and the wrist strap in FIGS. 1-8 are for illustrative purposes only and form no part of the claimed design.

1 Claim, 2 Drawing Sheets

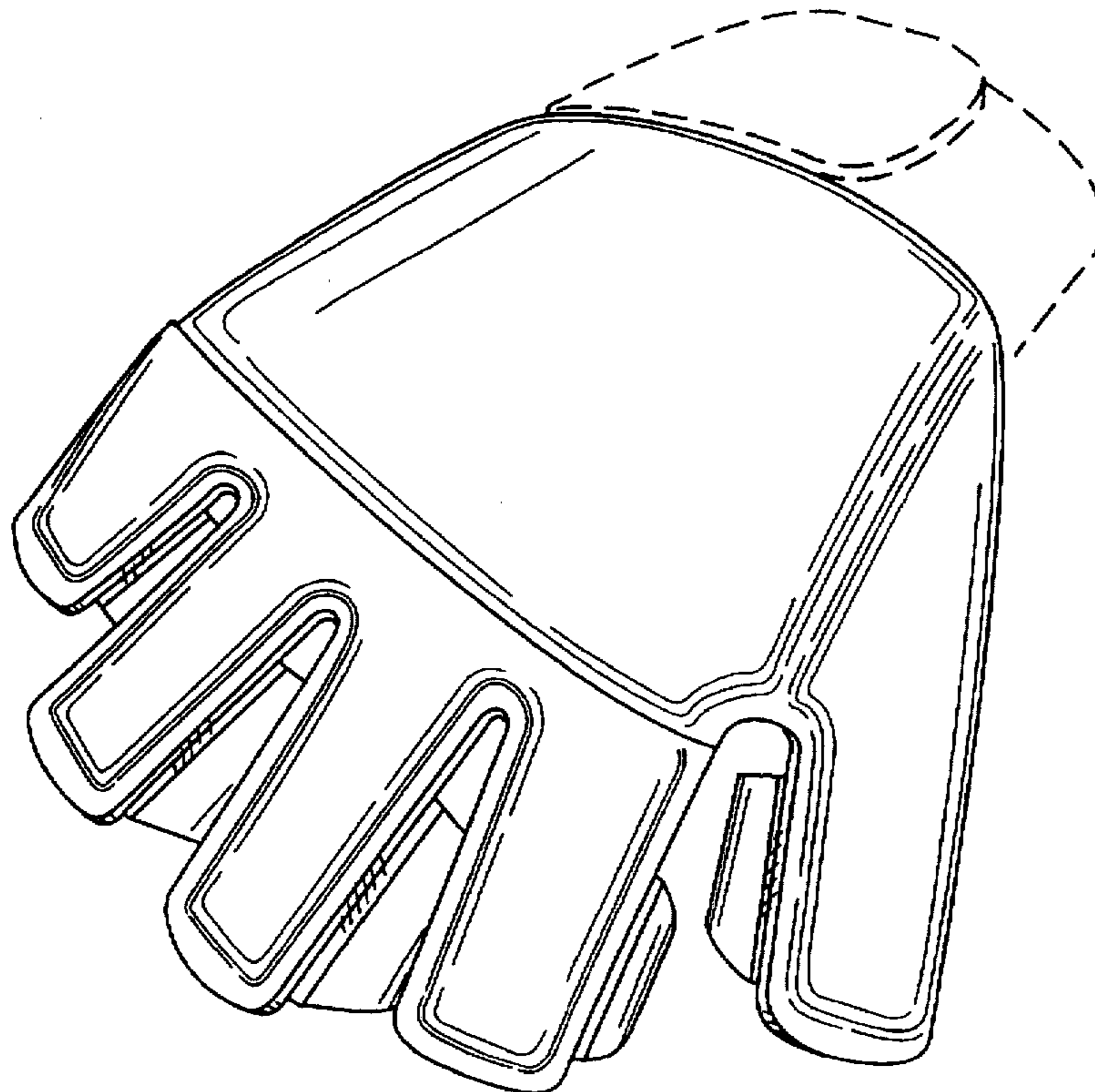


FIG. 1

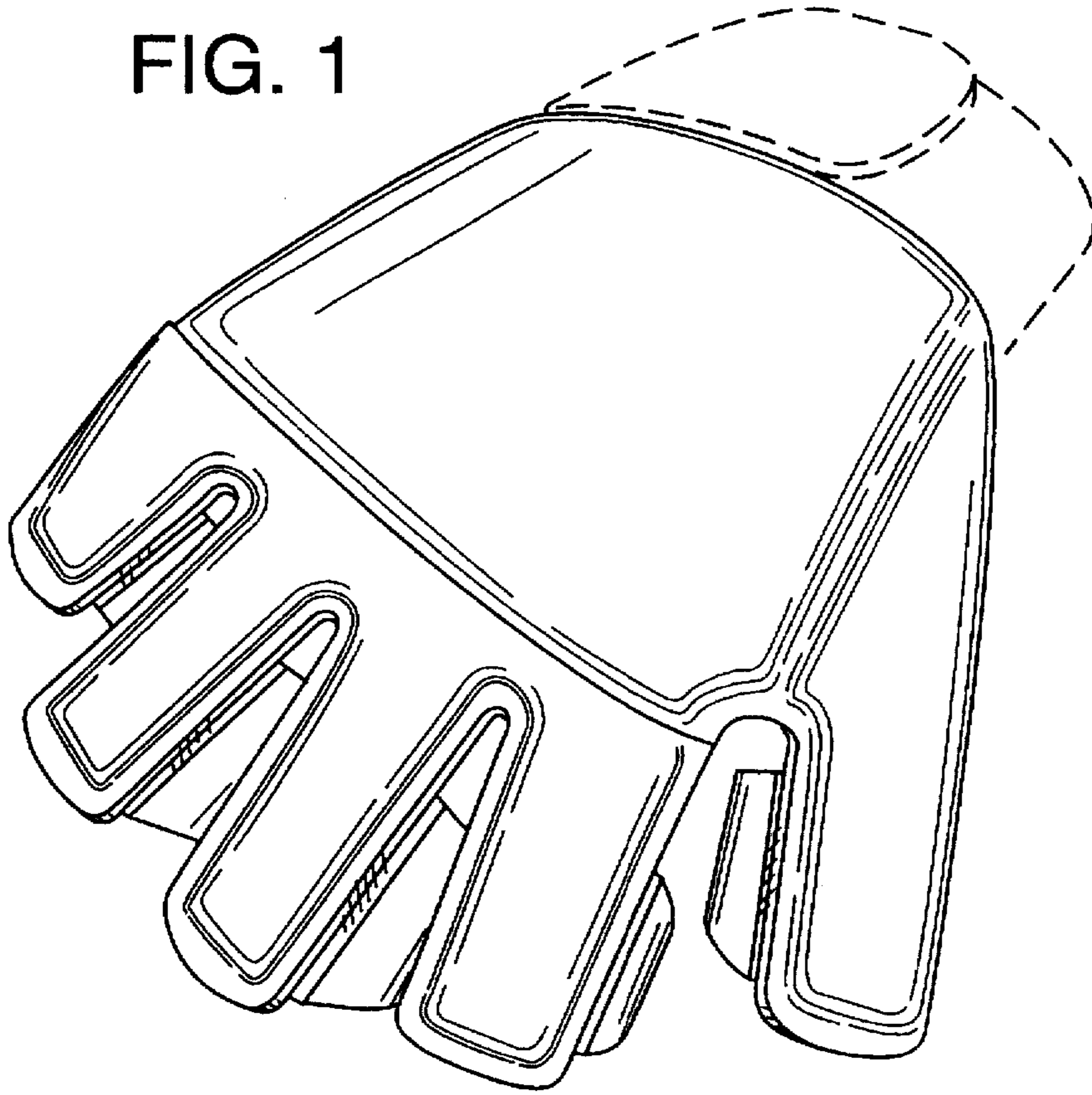


FIG. 2

