

US00D393933S

United States Patent [19] Huh

[11] Patent Number: Des. 393,933

[45] Date of Patent: **Apr. 28, 1998

[54] WELDING MASK

[75] Inventor: Moon Young Huh, Seoul, Rep. of Korea

[73] Assignee: Otos Optical Co., Ltd., Seoul, Rep. of Korea

[**] Term: 14 Years

[21] Appl. No.: 52,930

[22] Filed: Apr. 10, 1996

[51] LOC (6) Cl. 29-02

[52] U.S. Cl. D29/110

[58] Field of Search D29/108-110;
2/8, 9; 219/147

[56] References Cited

U.S. PATENT DOCUMENTS

D. 296,832	7/1988	Bachik	D29/110
D. 310,276	8/1990	Fuerthbauer et al.	D29/110
D. 310,432	9/1990	Boochar	D29/110
D. 355,053	1/1995	Honrud	D29/108
D. 365,666	12/1995	Gumpp	D29/110
D. 366,540	1/1996	Elias	D29/110
2,644,159	7/1953	Jacobs	D29/110

OTHER PUBLICATIONS

Catalog, Switch Optrel, Switzerland Mark, 1995.
Catalog, Wink-GS, Japan, published before Apr., 1996.
Catalog, Weldomatic 2000, published before Apr., 1996.
Catalog, Optrel, Switzerland, published before Apr., 1996.
Catalog, Speedglas APC, published before Apr., 1996.
Catalog, Fibre-Metal Protective Equipment, published before Apr., 1996.

Primary Examiner—Ruth McInroy
Attorney, Agent, or Firm—Michael D. Bednarek; Kilpatrick Stockton LLP

[57] CLAIM

The design for a welding mask, as shown and described.

DESCRIPTION

FIG. 1 is a perspective view of a welding mask showing my new design;
FIG. 2 is a front elevational view;
FIG. 3 is a rear elevational view;
FIG. 4 is a top plan view;
FIG. 5 is a bottom plan view;
FIG. 6 is a left side elevational view; and,
FIG. 7 is a right side elevational view.

1 Claim, 7 Drawing Sheets

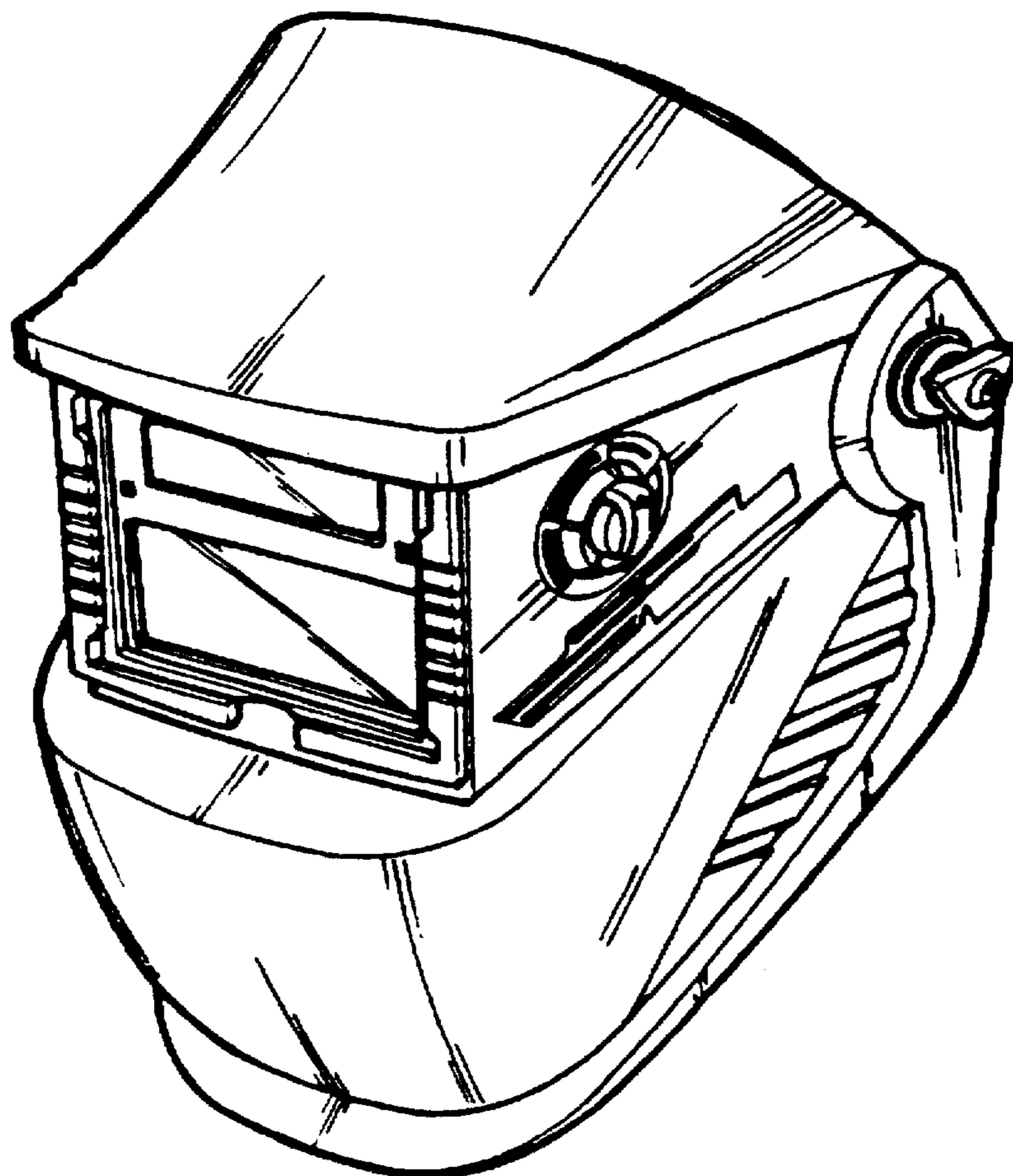


FIG. 1

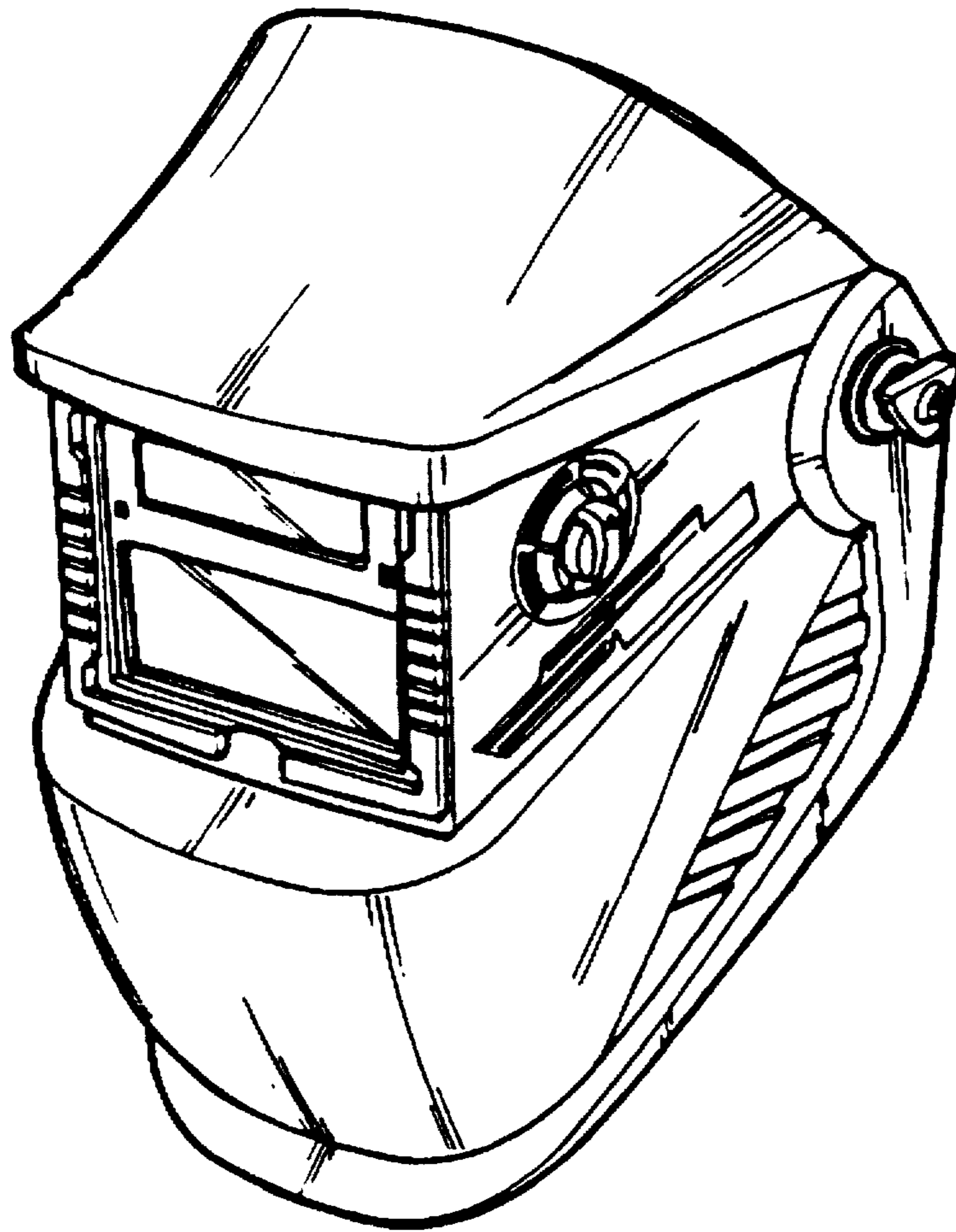


FIG. 2

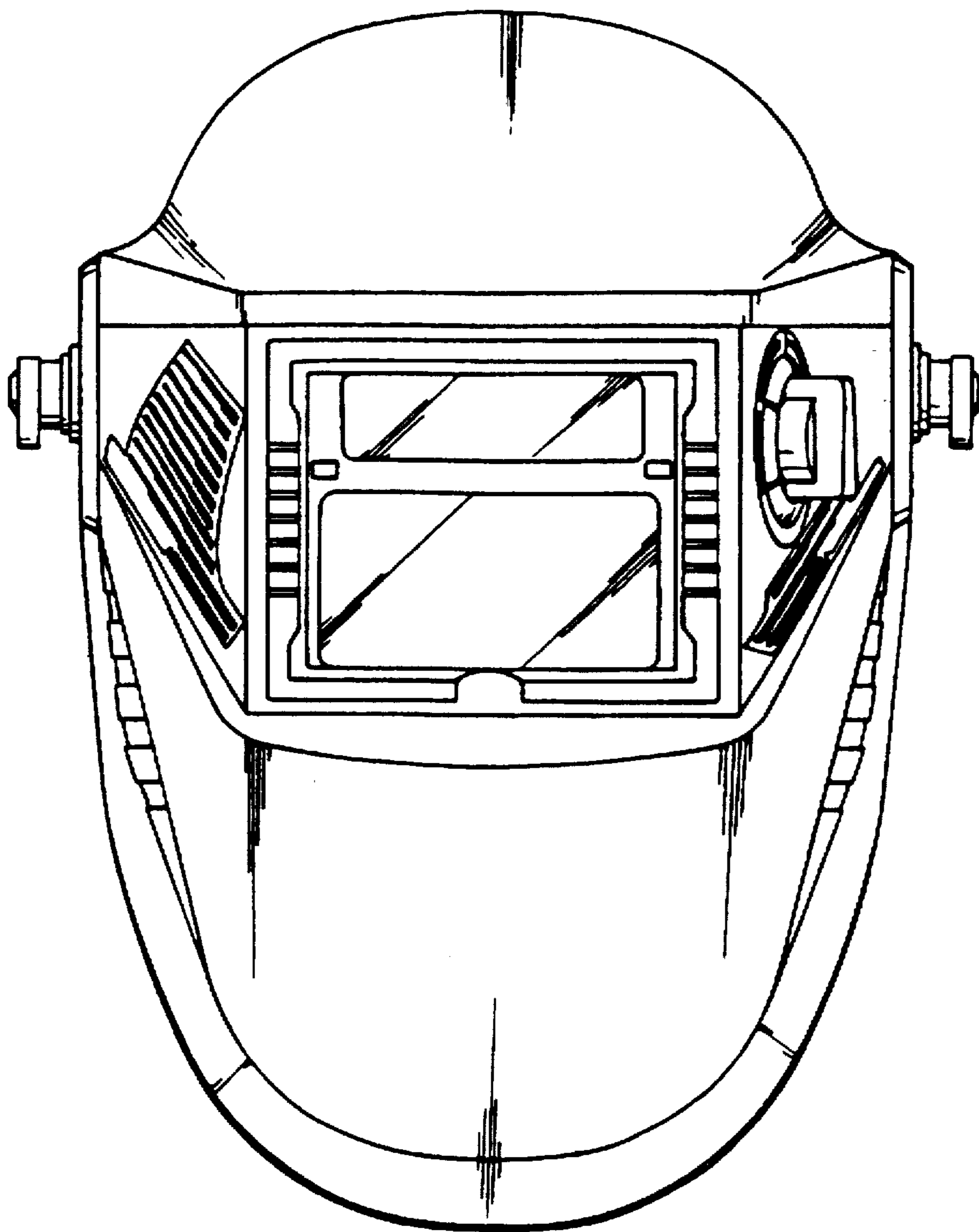


FIG. 3

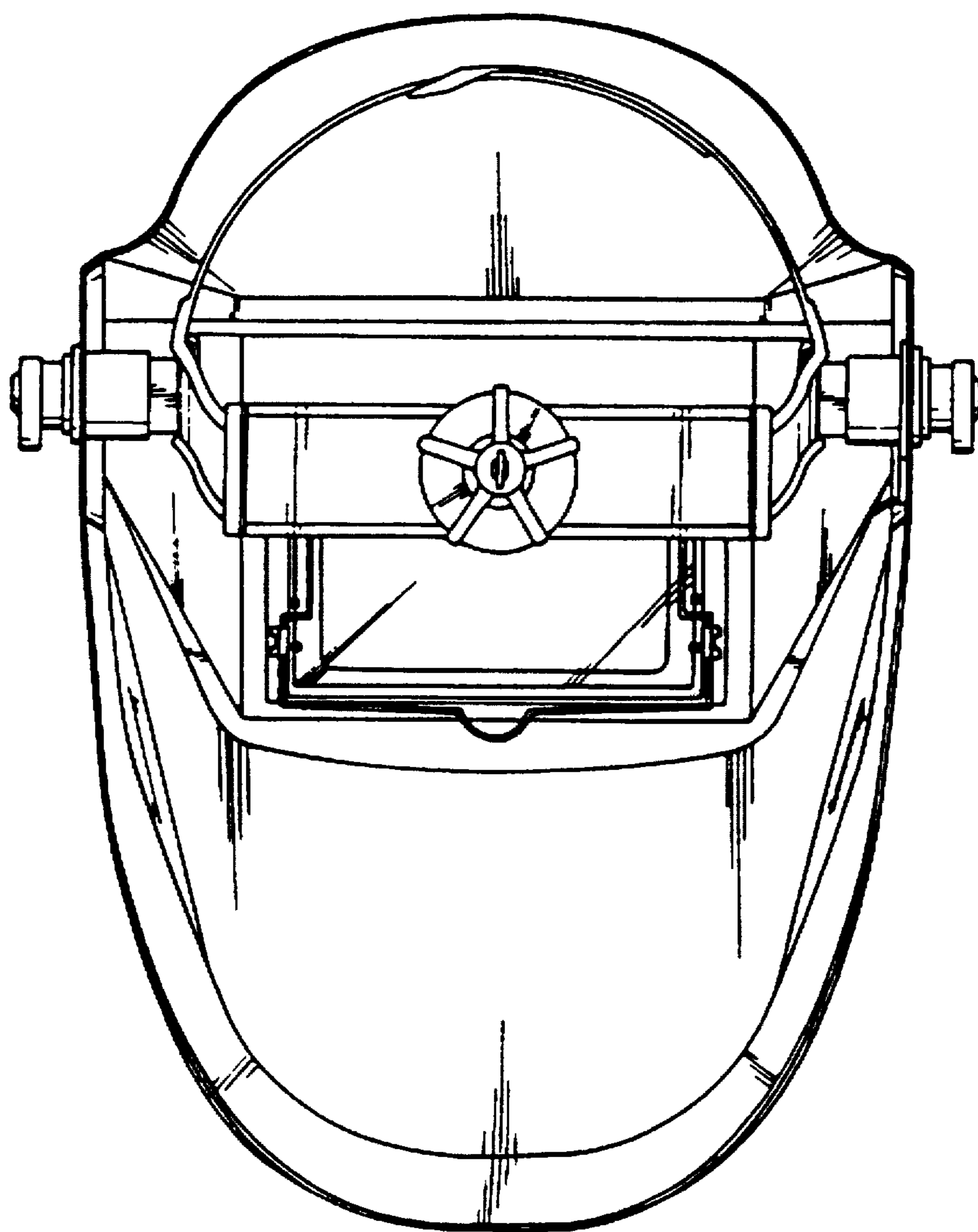


FIG. 4

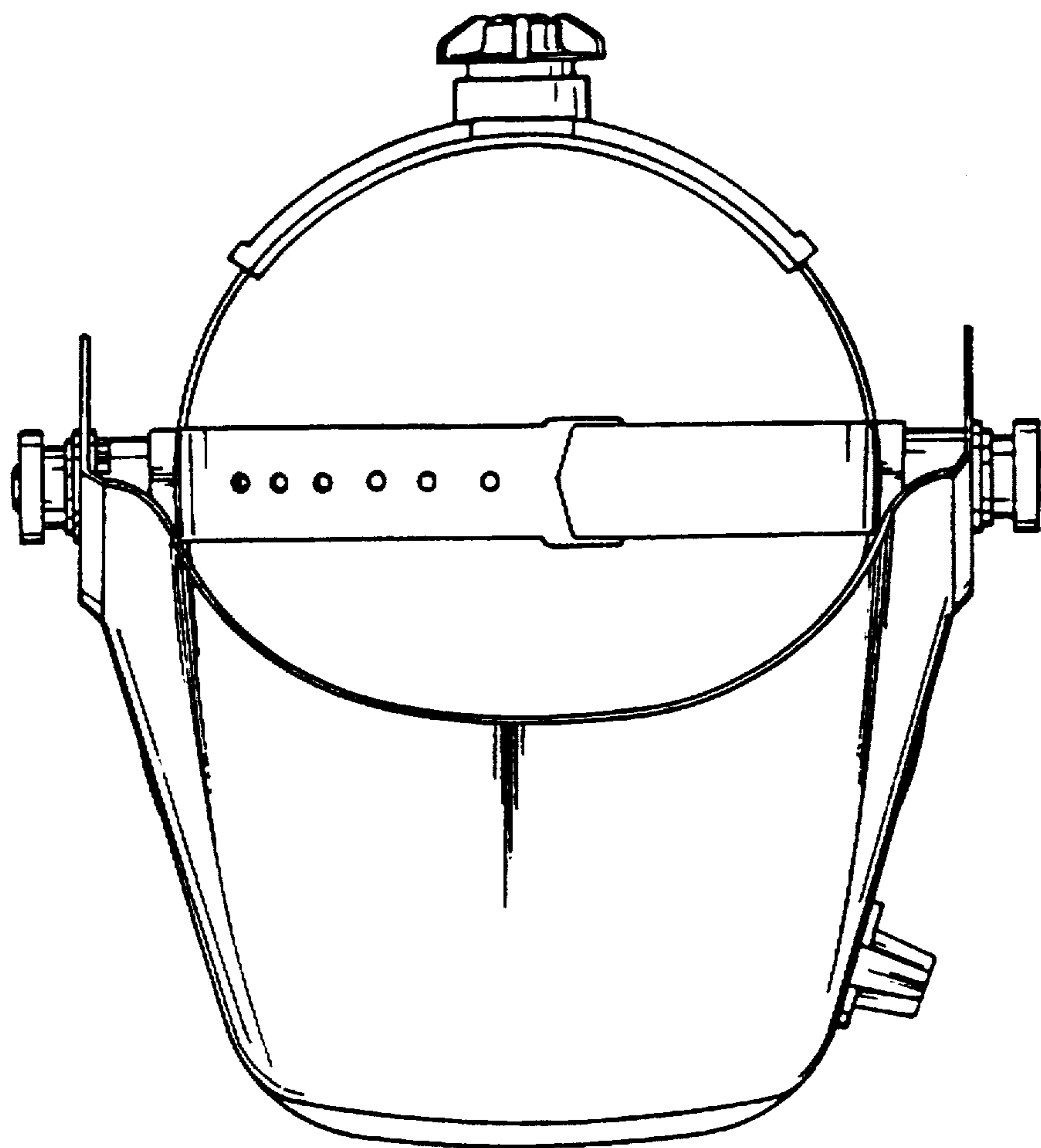


FIG. 5

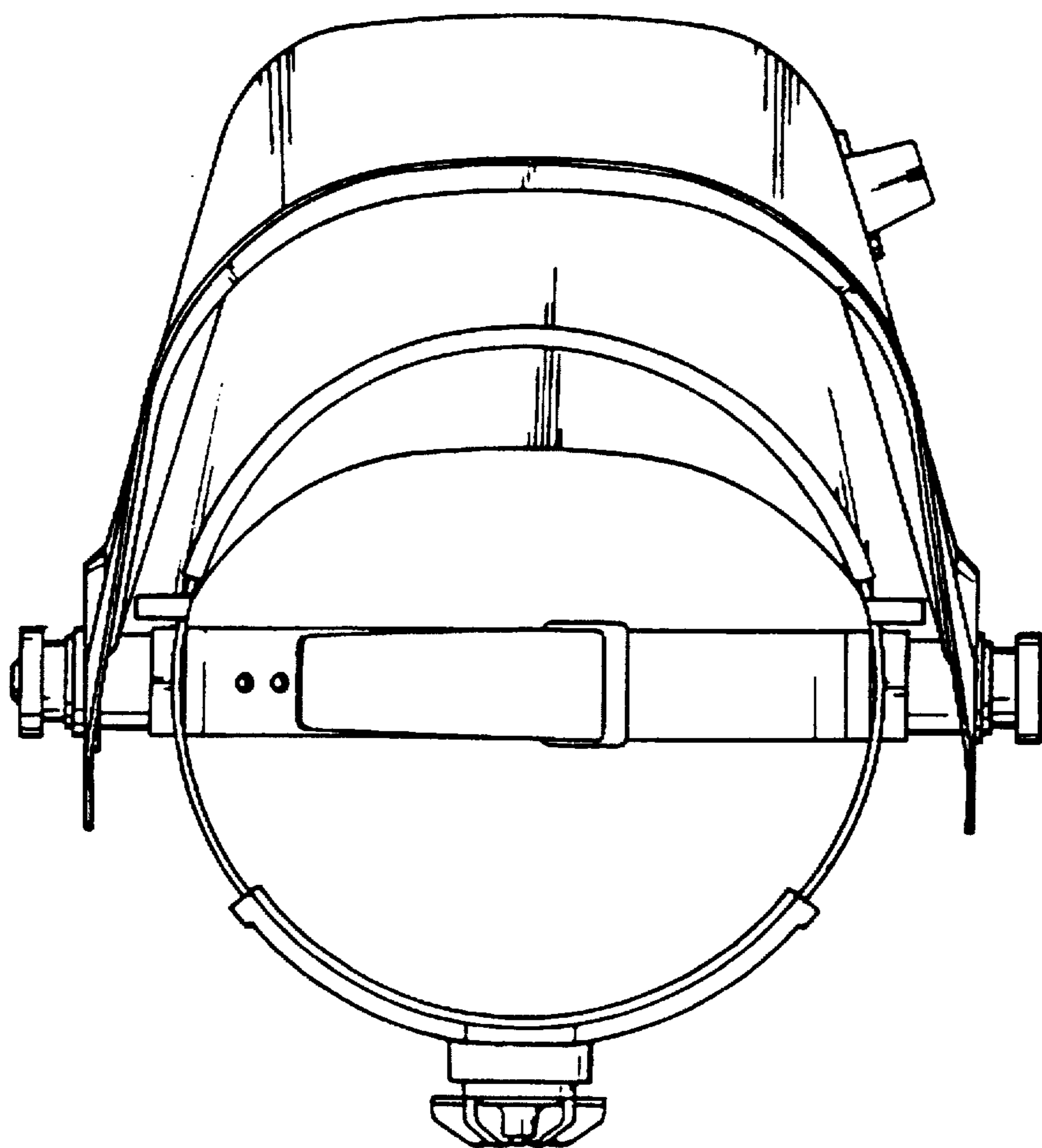


FIG. 6

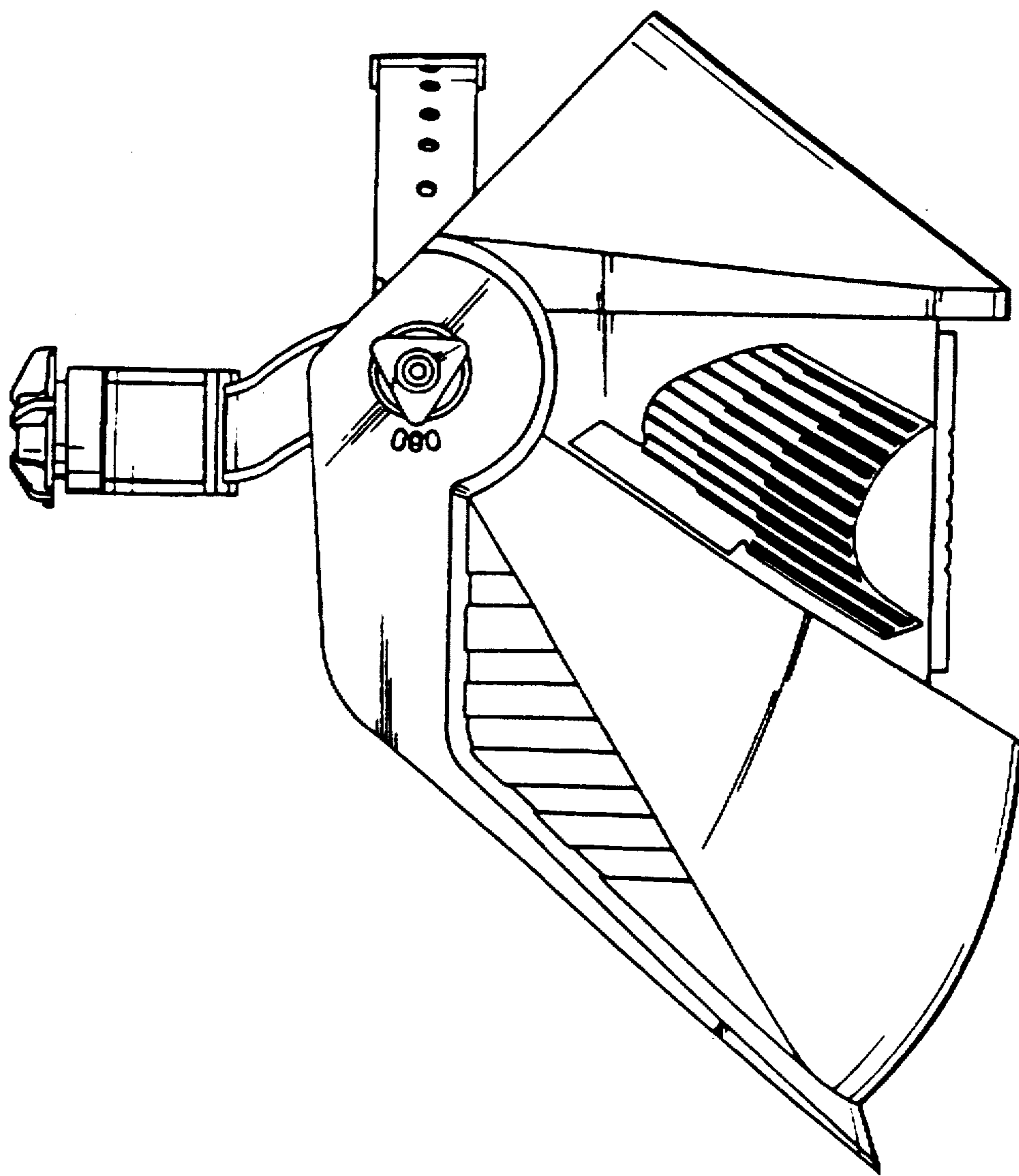


FIG. 7

