



US00D393932S

# United States Patent [19]

Litton

[11] Patent Number: Des. 393,932

[45] Date of Patent: \*\*\*Apr. 28, 1998

[54] **TOENAIL CLIPPER**

[75] Inventor: **Garfield Litton**, Glenrock, N.J.

[73] Assignee: **Revlon Consumer Products Corporation**, New York, N.Y.

[\*] Notice: The portion of the term of this patent subsequent to Mar. 17, 2012, has been disclaimed.

[\*\*] Term: **14 Years**

[21] Appl. No.: **59,709**

[22] Filed: **Aug. 28, 1996**

[51] LOC (6) Cl. .... **28-03**

[52] U.S. Cl. .... **D28/60**

[58] Field of Search ..... D28/60, 62; 132/73, 132/73.5, 75.3, 75.4, 75.5, 75.6, 76.2; 30/26, 28

D. 337,036	7/1993	Williams .	
D. 351,329	10/1994	Harris .	
D. 355,831	2/1995	Hull .....	D8/303 X
D. 364,246	11/1995	Conerly .....	D28/60
590,330	9/1897	Nolen .	
648,224	4/1900	Triolo .	
672,014	4/1901	Scheerer .	
2,089,177	8/1937	Beldue .	
2,124,615	7/1938	Foltz .	
2,179,435	11/1939	Smith .....	D28/60 X
2,370,026	2/1945	Elia .	
2,477,782	8/1949	Bassett .....	D28/60 X
2,575,652	11/1951	Bovee .	
2,677,179	5/1954	Servilla .	
2,931,100	4/1960	Wertepny .	
3,093,147	6/1963	Bassett .....	132/75.5
3,261,094	7/1966	Bliss .....	D28/60 X
3,913,422	10/1975	Weber .	
4,098,440	7/1978	Rosenberg .	
4,644,953	2/1987	Lahodny et al. .	
4,648,415	3/1987	Yuan .....	132/73
5,219,354	6/1993	Choudhury et al. .	
5,226,849	7/1993	Johnson .....	132/73 X
5,459,926	10/1995	Perea .....	30/28
5,490,327	2/1996	Ohuri .....	132/75.5 X

[56] **References Cited**

**U.S. PATENT DOCUMENTS**

D. 2,558	1/1867	Valentine .	
D. 32,084	1/1900	Alvord .	
D. 42,385	4/1912	Alvord et al. .	
D. 43,447	1/1913	Wheeler .	
D. 94,030	12/1934	Hults .....	D28/59
D. 107,419	12/1937	Gasser .	
D. 137,412	3/1944	Storz .	
154,637	9/1874	Breeden .	
D. 195,614	7/1963	Sacko .....	D28/60
D. 198,660	7/1964	Britton .....	D28/60
D. 205,589	8/1966	Laughlin .	
D. 254,090	1/1980	Perry .	
D. 262,937	2/1982	Huthmann .	
D. 286,091	10/1986	Hill .	
D. 293,716	1/1988	Nice .	
D. 294,303	2/1988	Giovagnoni .....	D28/59
D. 308,736	6/1990	Pina .	
D. 309,038	7/1990	Ladora .....	D28/60
D. 319,942	9/1991	Schubert .	
D. 321,818	11/1991	Hasegawa .	
D. 329,306	9/1992	Rommerdale .....	D28/62

*Primary Examiner*—Ted Shooman

*Assistant Examiner*—C. Tuttle

*Attorney, Agent, or Firm*—Julie Blackburn

[57] **CLAIM**

The ornamental design for a toenail clipper, as shown and described.

**DESCRIPTION**

FIG. 1 is a front perspective view of the clipper; FIG. 2 is a right side elevational view of the clipper; FIG. 3 is a left side elevational view of the clipper; FIG. 4 is a top plan view of the clipper; FIG. 5 is a bottom plan view of the clipper; FIG. 6 is a front elevational view of the clipper; and, FIG. 7 is a back elevational view of the clipper. The undisclosed and partially obscured surfaces of the design follow the contours of the portions visible.

**1 Claim, 3 Drawing Sheets**

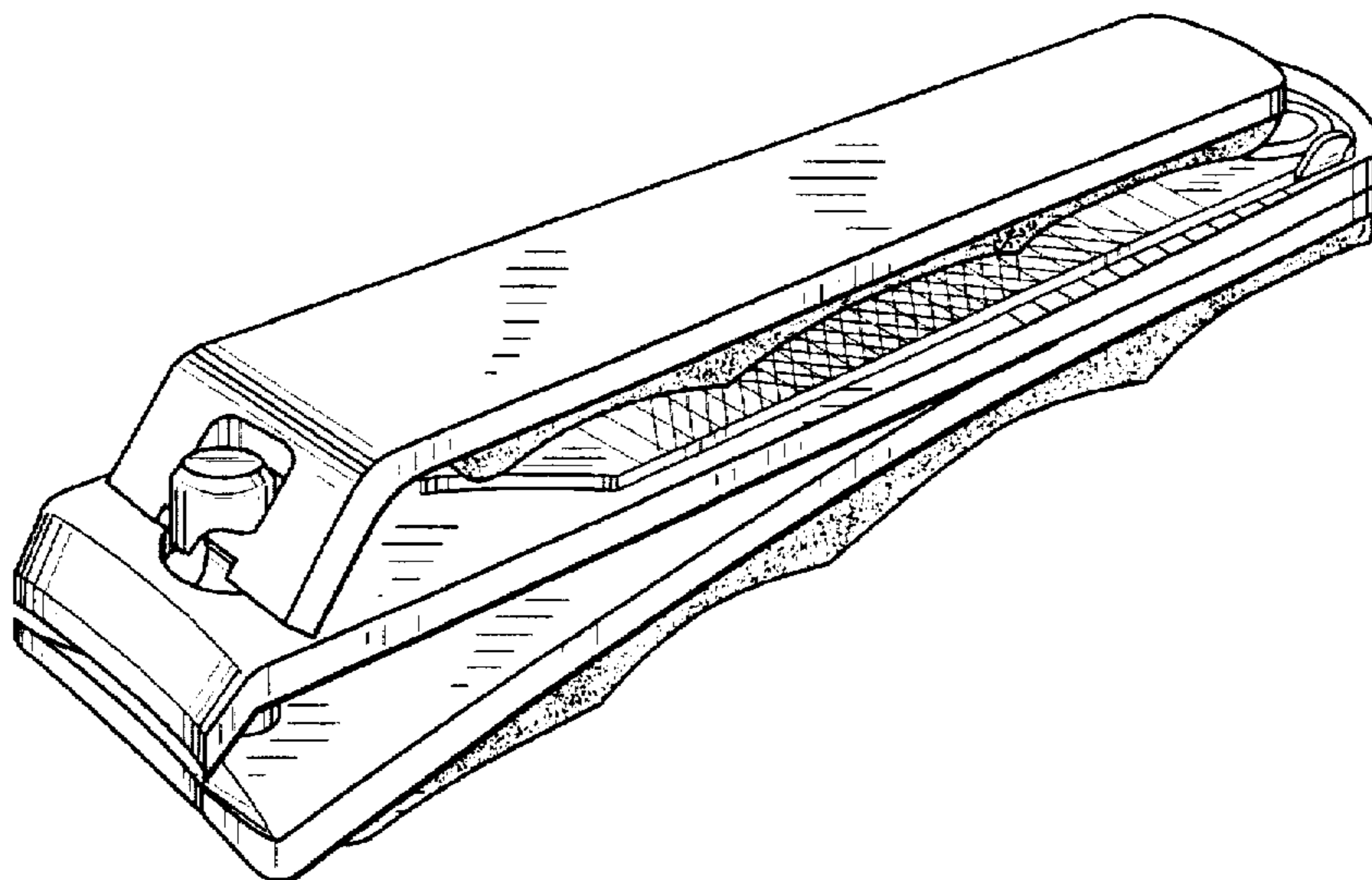


FIG. 1

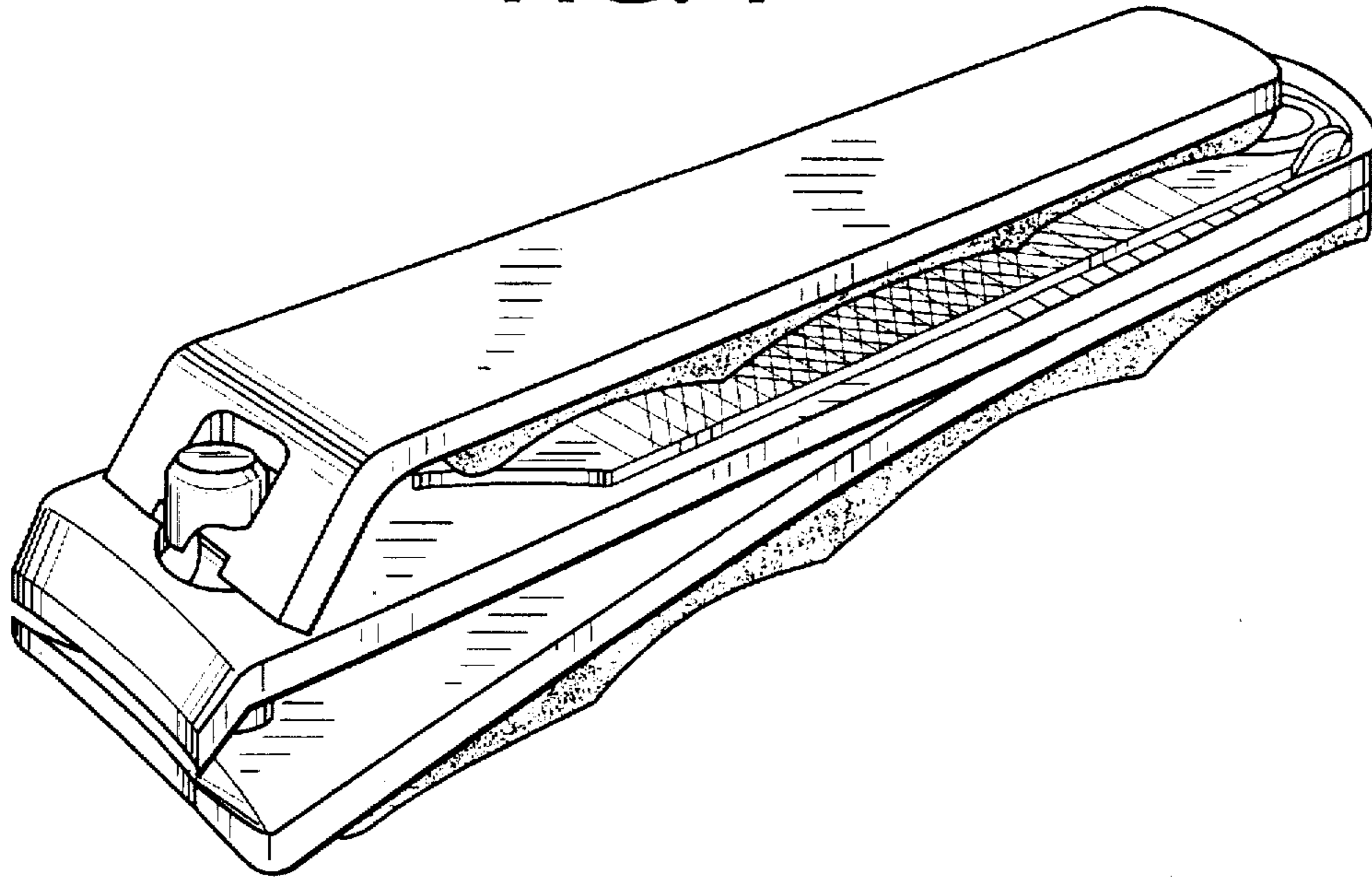


FIG. 6

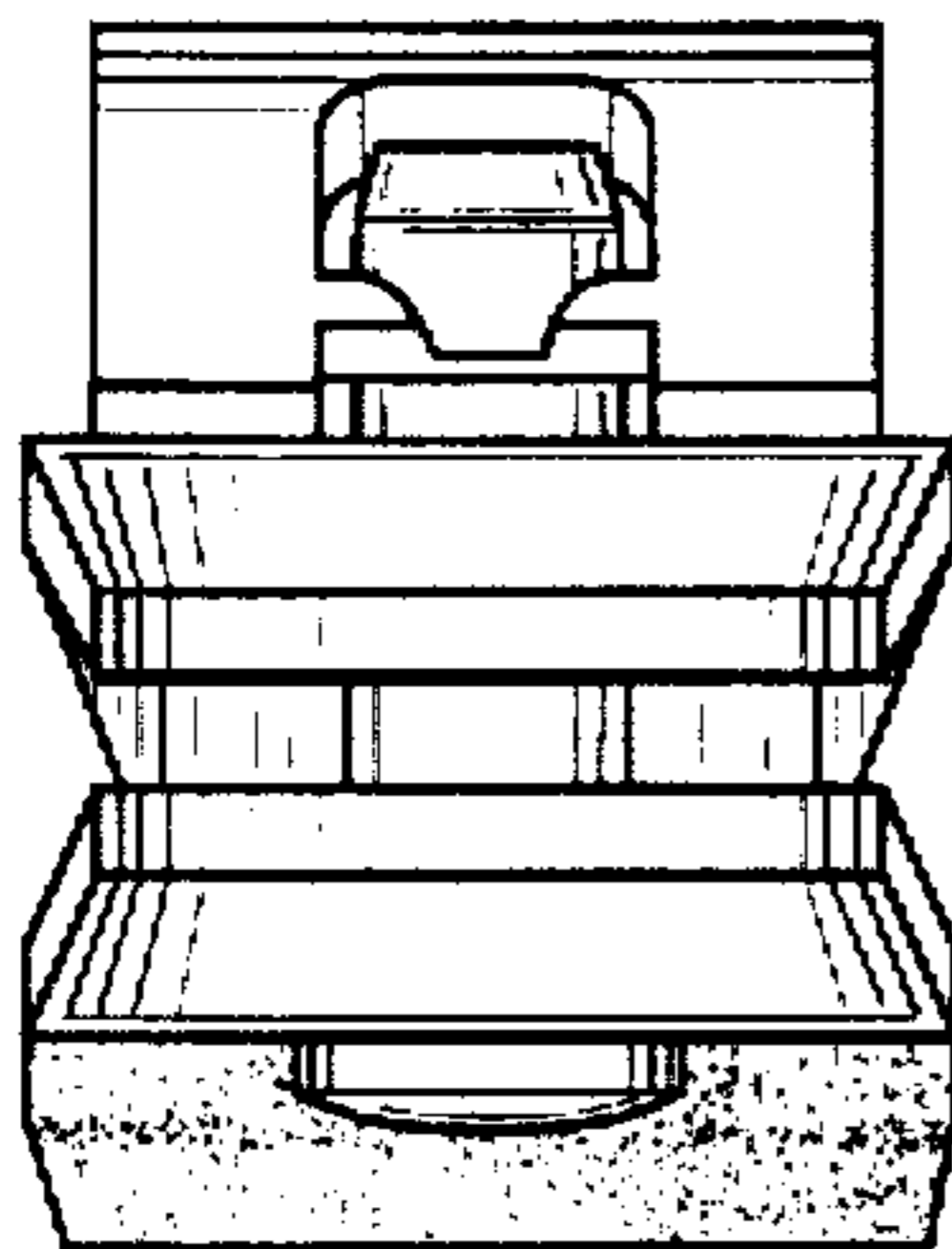


FIG. 7

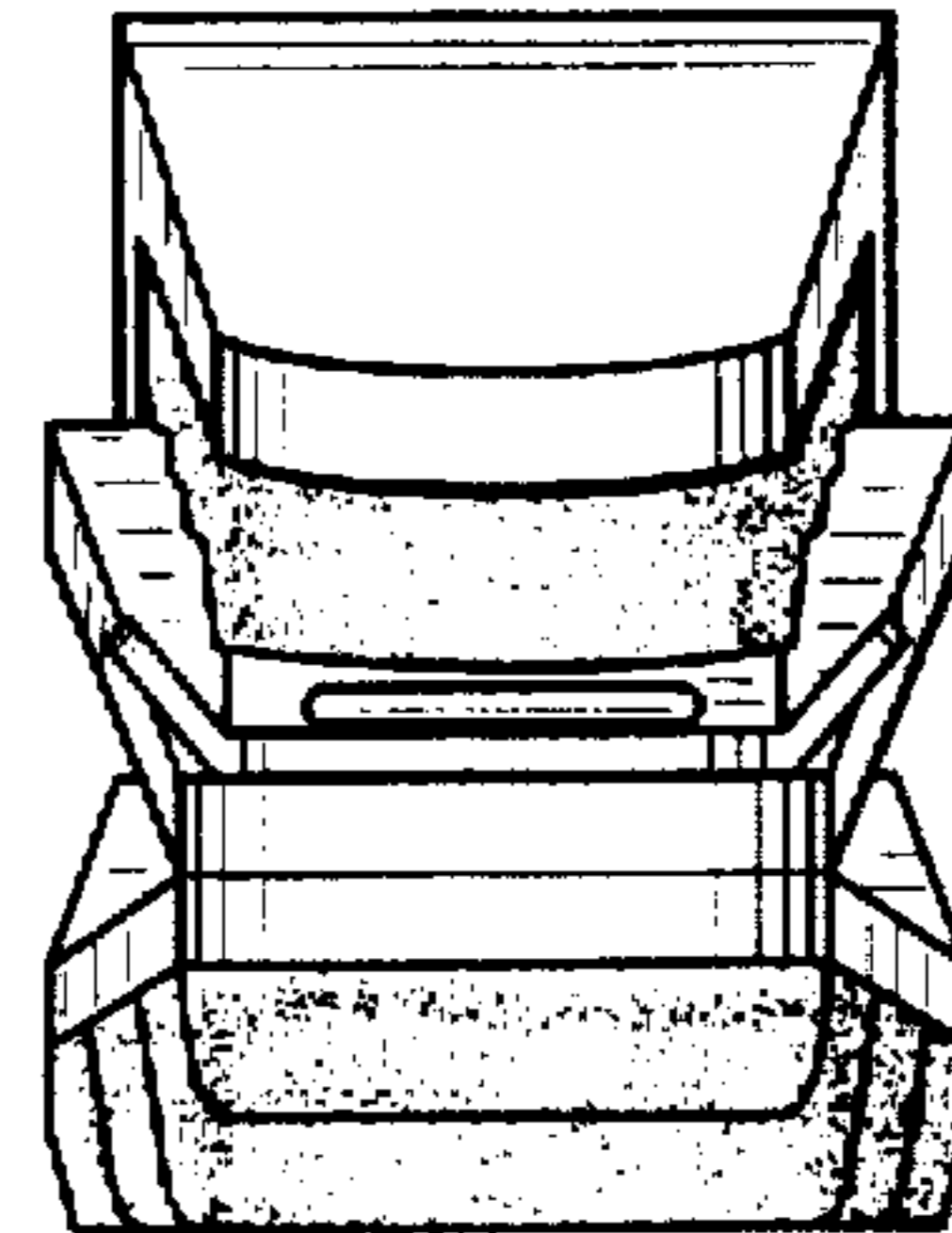


FIG. 2

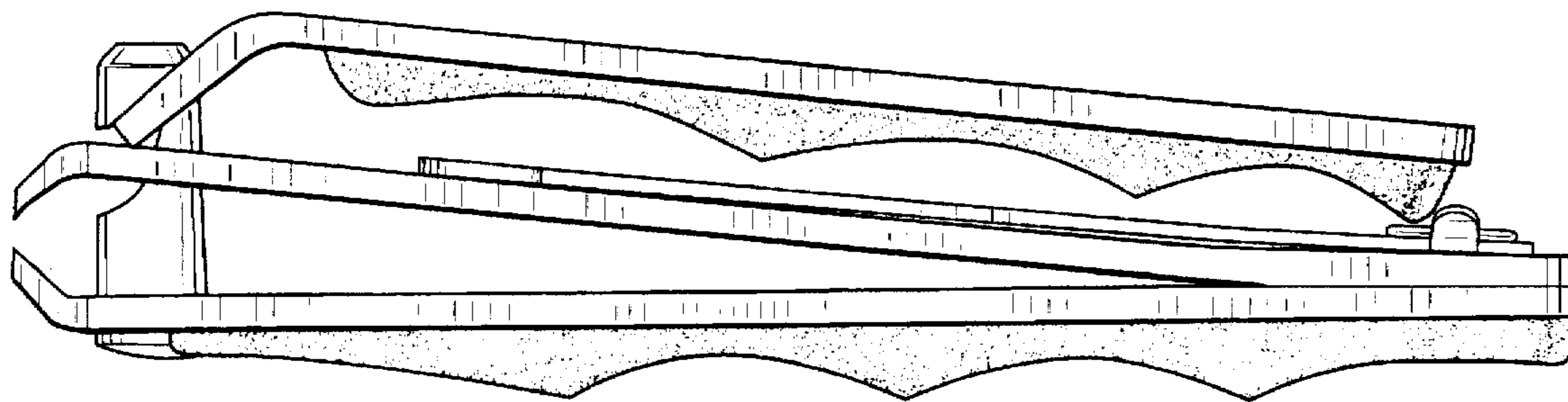


FIG. 3

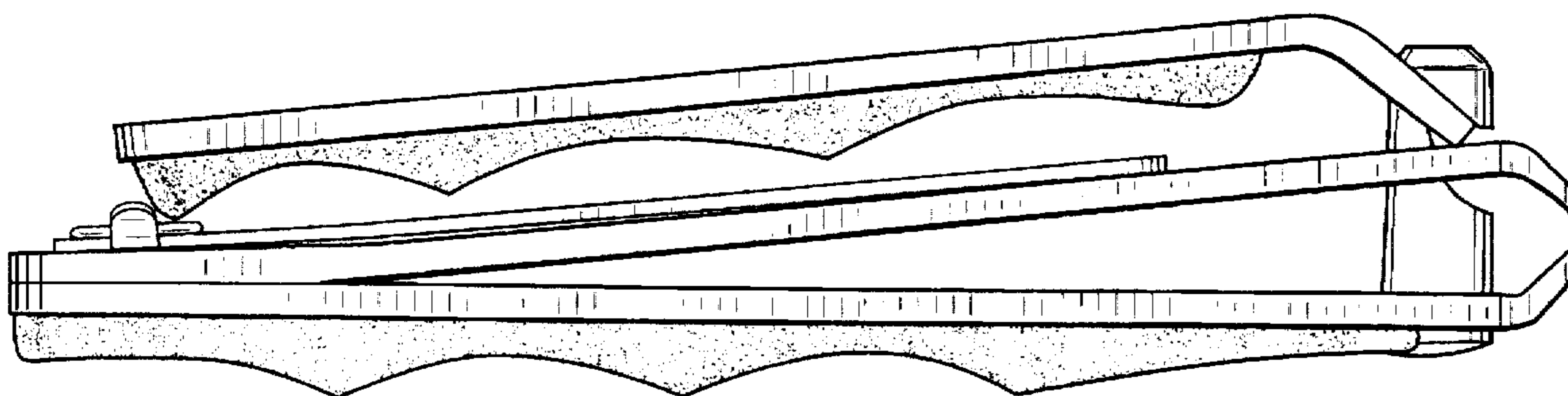


FIG. 4

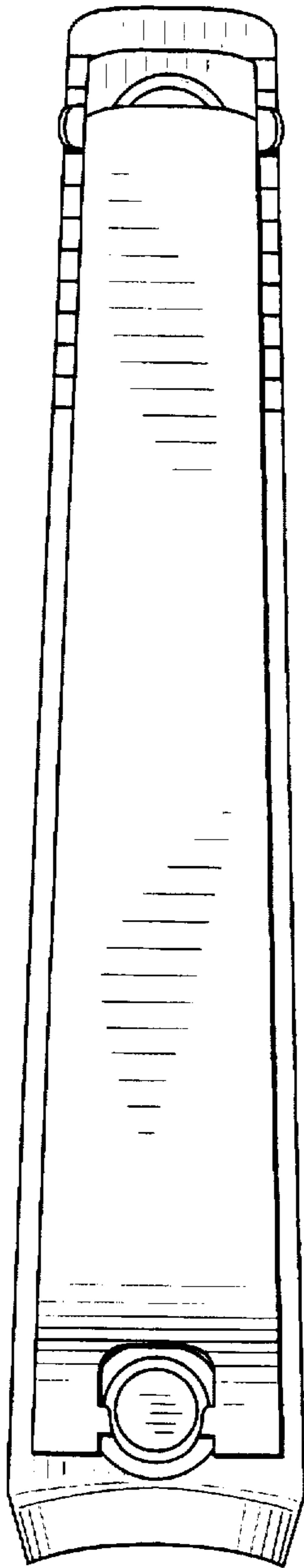


FIG. 5

