



US00D393923S

United States Patent [19]

[11] Patent Number: **Des. 393,923**

Dimonekas

[45] Date of Patent: ****Apr. 28, 1998**

[54] **CIGAR HOLDER ATTACHABLE TO A GOLF CART OR BAG**

D. 319,575 9/1991 Young D8/395
D. 358,691 5/1995 Engle D8/373 X

[76] Inventor: **James N. Dimonekas, 235 E. 87th St., Apt. 5J, New York, N.Y. 10128**

Primary Examiner—Susan J. Lucas
Assistant Examiner—Jennifer Rivard

[**] Term: **14 Years**

[57] **CLAIM**

[21] Appl. No.: **65,640**

The ornamental design for a cigar holder attachable to a golf cart or bag, as shown and described.

[22] Filed: **Jan. 31, 1997**

DESCRIPTION

[51] LOC (6) Cl. **27-06**

FIG. 1 is a front elevational view of the cigar holder attachable to a golf cart or bag showing my new design;

[52] U.S. Cl. **D27/183; D8/396**

FIG. 2 is a rear elevational view thereof;

[58] Field of Search **D27/176, 183,**

FIG. 3 is a right side view thereof;

D27/194, 193, 172; D8/396, 394, 395,

FIG. 4 is a left side view thereof;

373, 367; D3/221; 24/67.9, 563; D28/88

FIG. 5 is a top plan view thereof; and,

FIG. 6 is a bottom plan view thereof.

[56] **References Cited**

U.S. PATENT DOCUMENTS

D. 222,430 10/1971 Miller D8/395 X

1 Claim, 3 Drawing Sheets

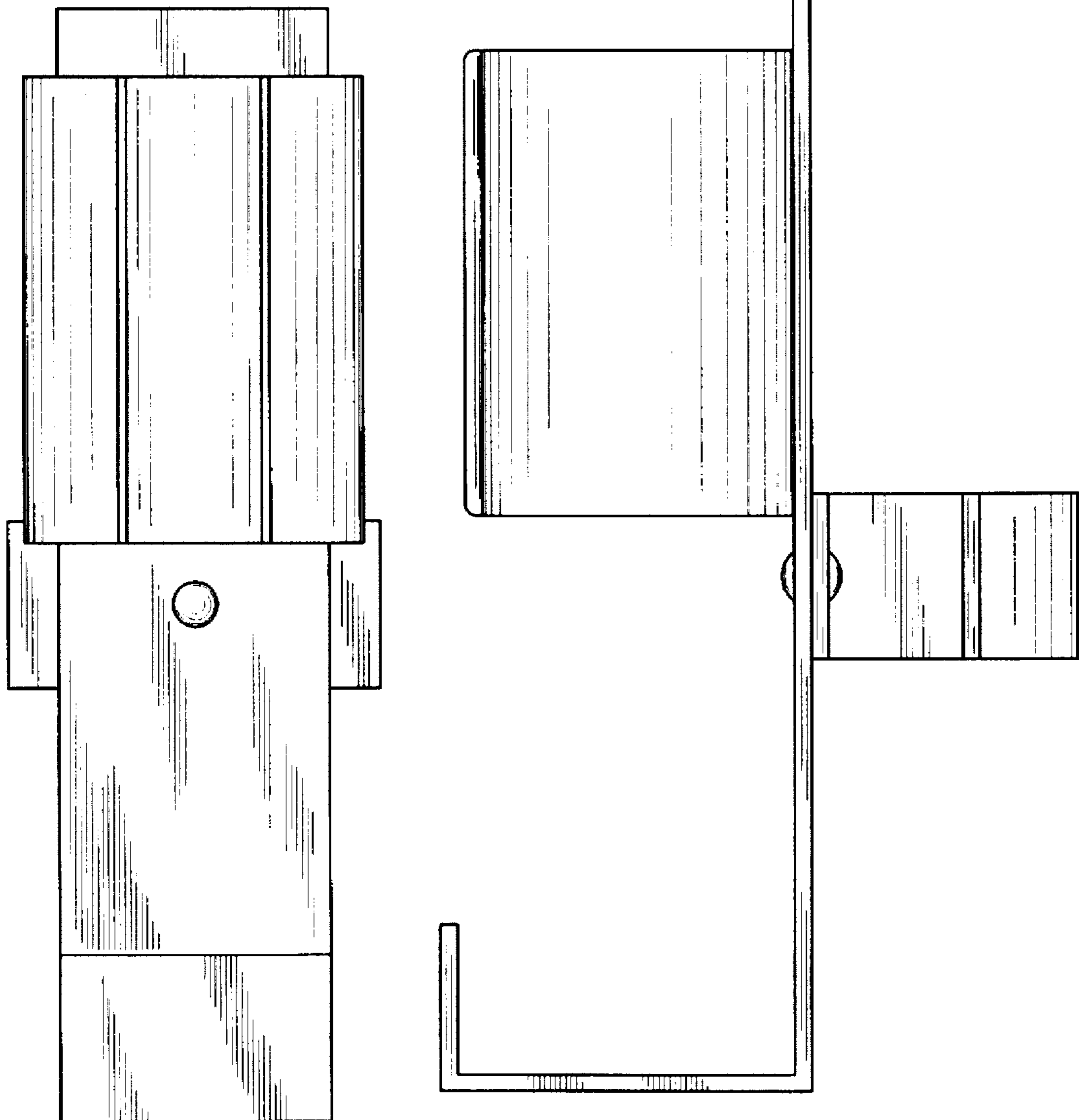


FIG. 1

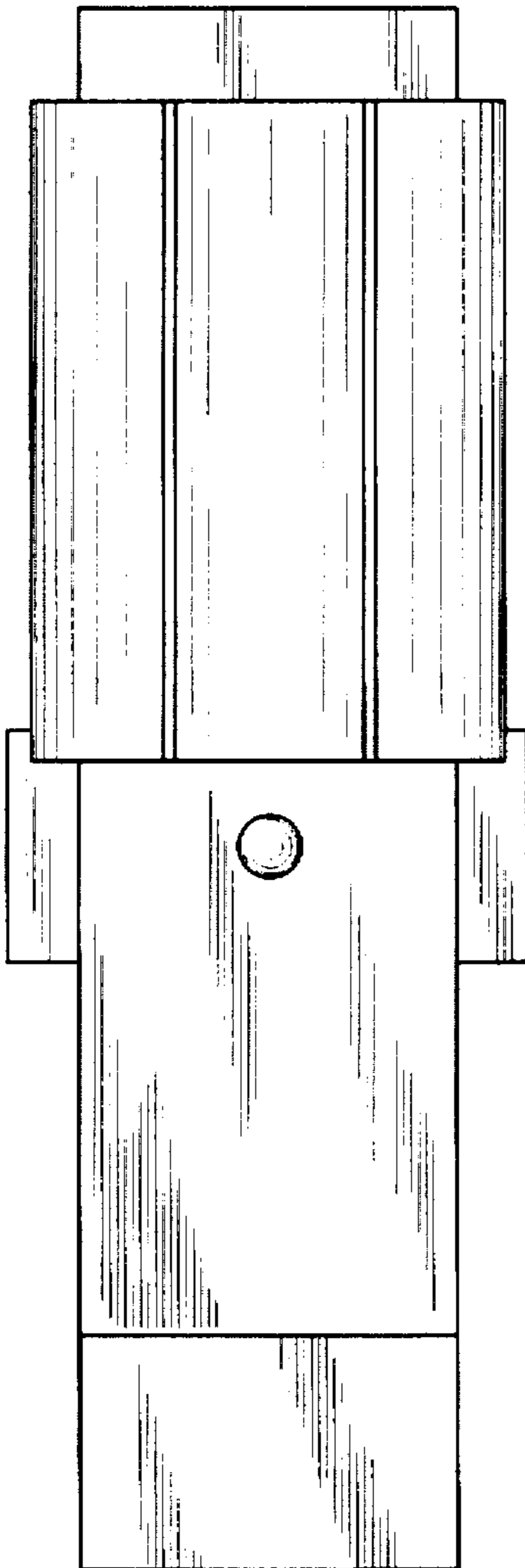


FIG. 2

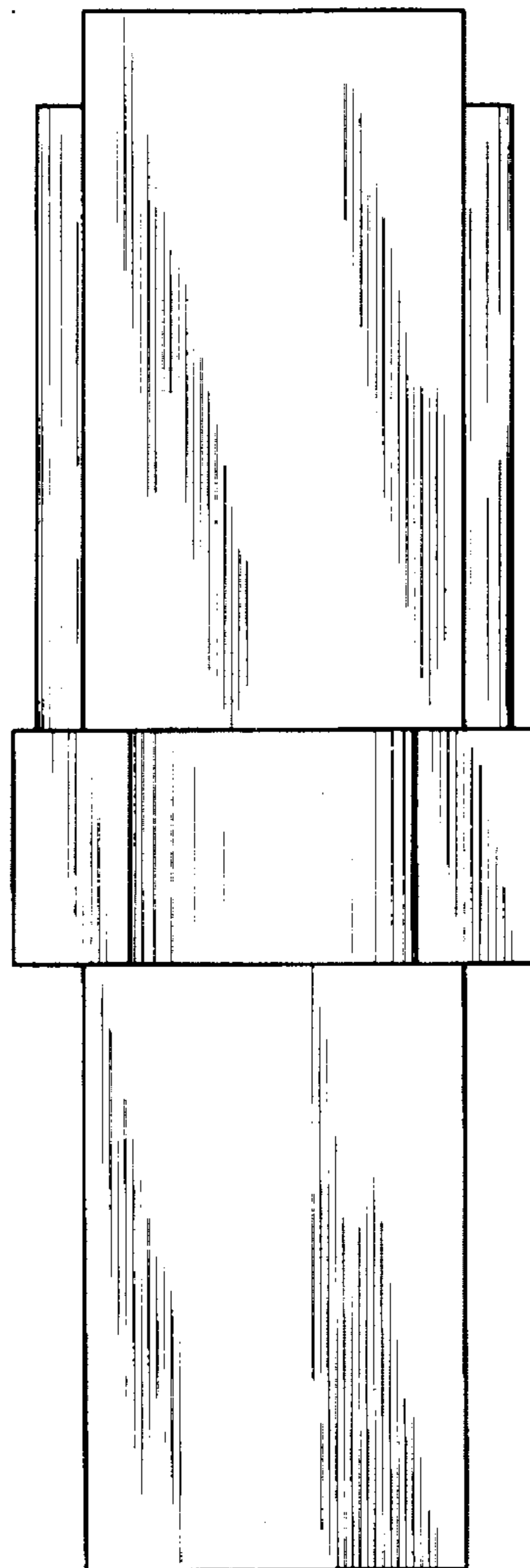


FIG. 3

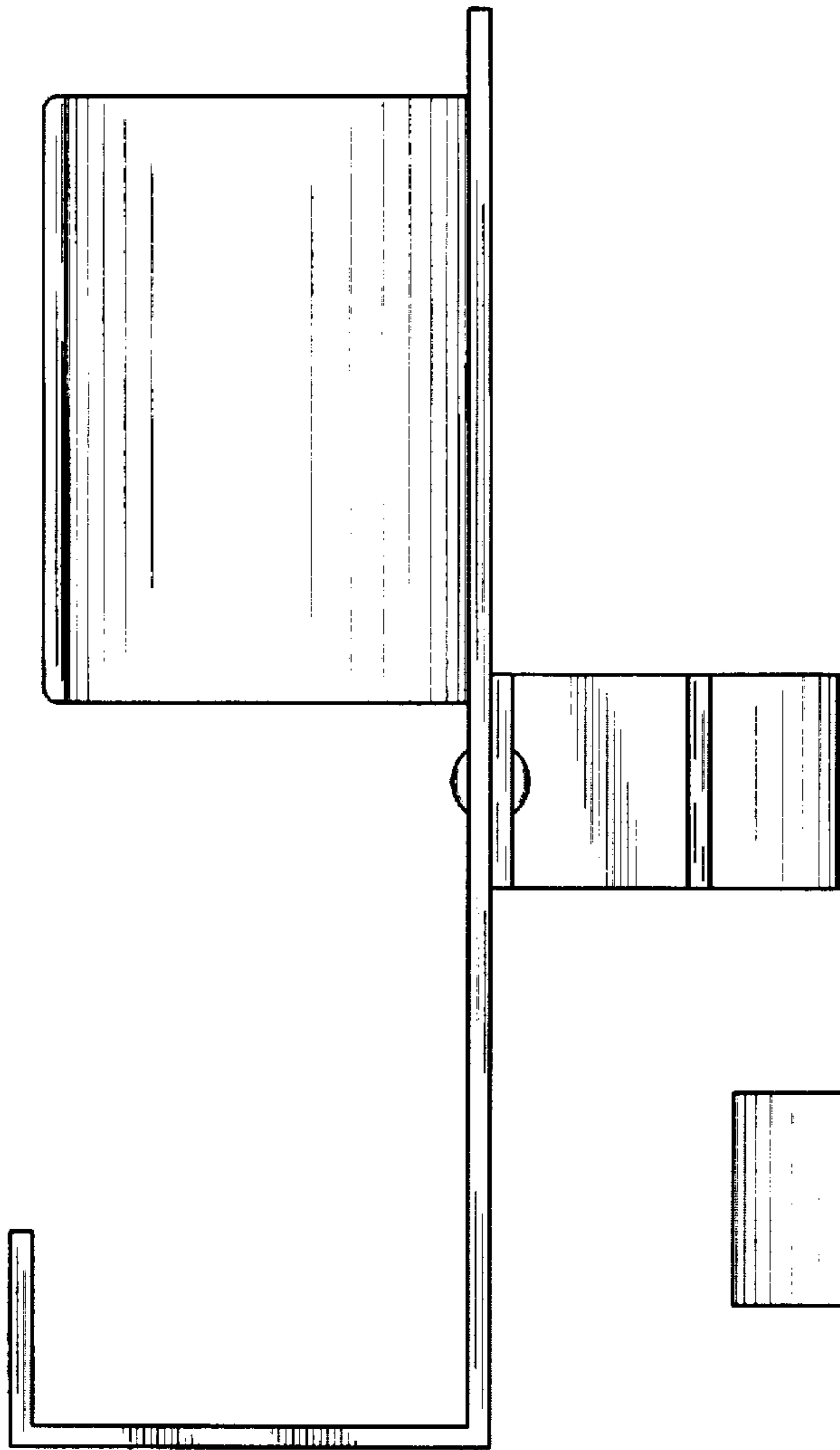


FIG. 4

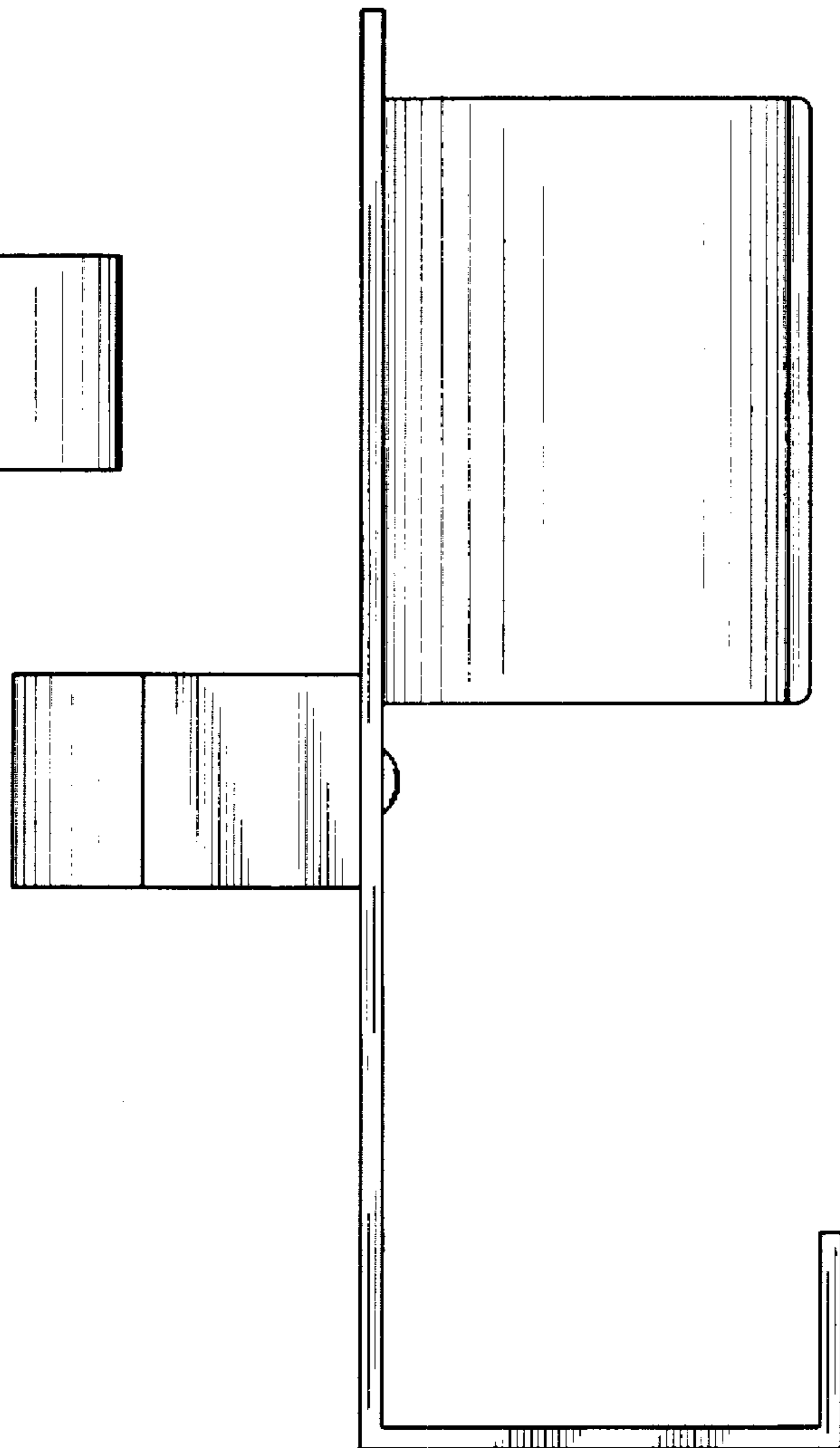


FIG. 5

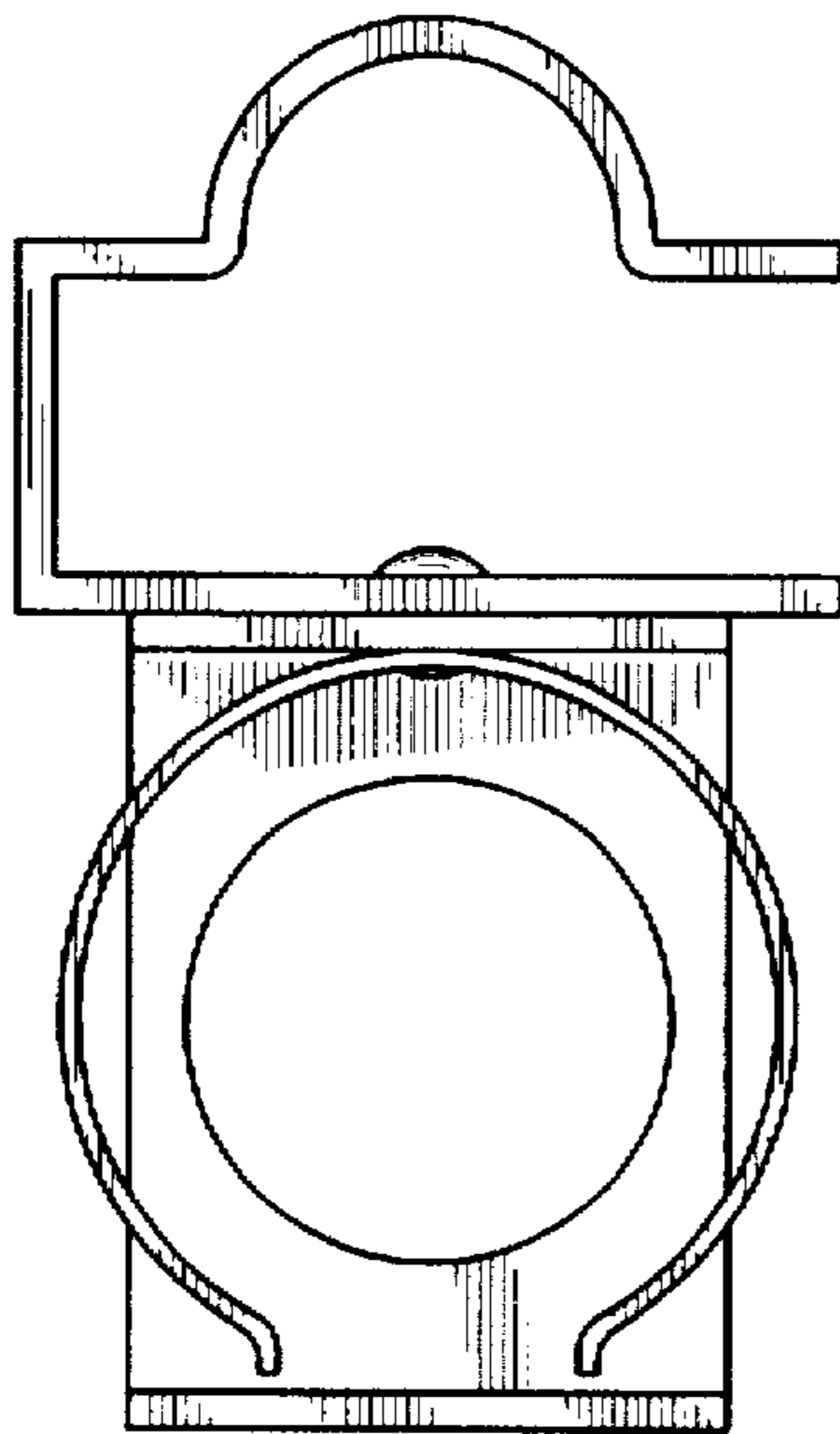


FIG. 6

