



US00D393922S

# United States Patent [19]

Moore et al.

[11] Patent Number: **Des. 393,922**

[45] Date of Patent: **\*\*Apr. 28, 1998**

[54] **THREE LEGGED ASHTRAY**

D. 298,575 11/1988 Delmerico ..... D27/122

[75] Inventors: **Devin Lee Moore**, Decatur; **Leslie Lowe Brown**, Atlanta, both of Ga.

*Primary Examiner*—Susan J. Lucas

*Assistant Examiner*—Jennifer Rivard

*Attorney, Agent, or Firm*—D. Peter Hochberg; Mark Kusner

[73] Assignee: **InterDesign, Inc.**, Solon, Ohio

[57] **CLAIM**

[\*\*] Term: **14 Years**

The ornamental design for the three legged ashtray, as shown and described.

[21] Appl. No.: **66,942**

**DESCRIPTION**

[22] Filed: **Feb. 19, 1997**

[51] LOC (6) Cl. .... **27-03**

[52] U.S. Cl. .... **D27/133; D27/102**

[58] Field of Search ..... D27/102, 103,  
D27/122, 124, 133, 134, 137, 138; 131/242,  
240.1, 241, 235.1

FIG. 1 is a perspective view shown from one side of a three legged ashtray showing our new design;

FIG. 2 is a perspective view, taken from a second side thereof;

FIG. 3 is a side elevational view thereof;

FIG. 4 is a top plan view thereof;

FIG. 5 is a side elevational view thereof, taken from a different angle than the view of FIG. 3; and,

FIG. 6 is a bottom plan view thereof.

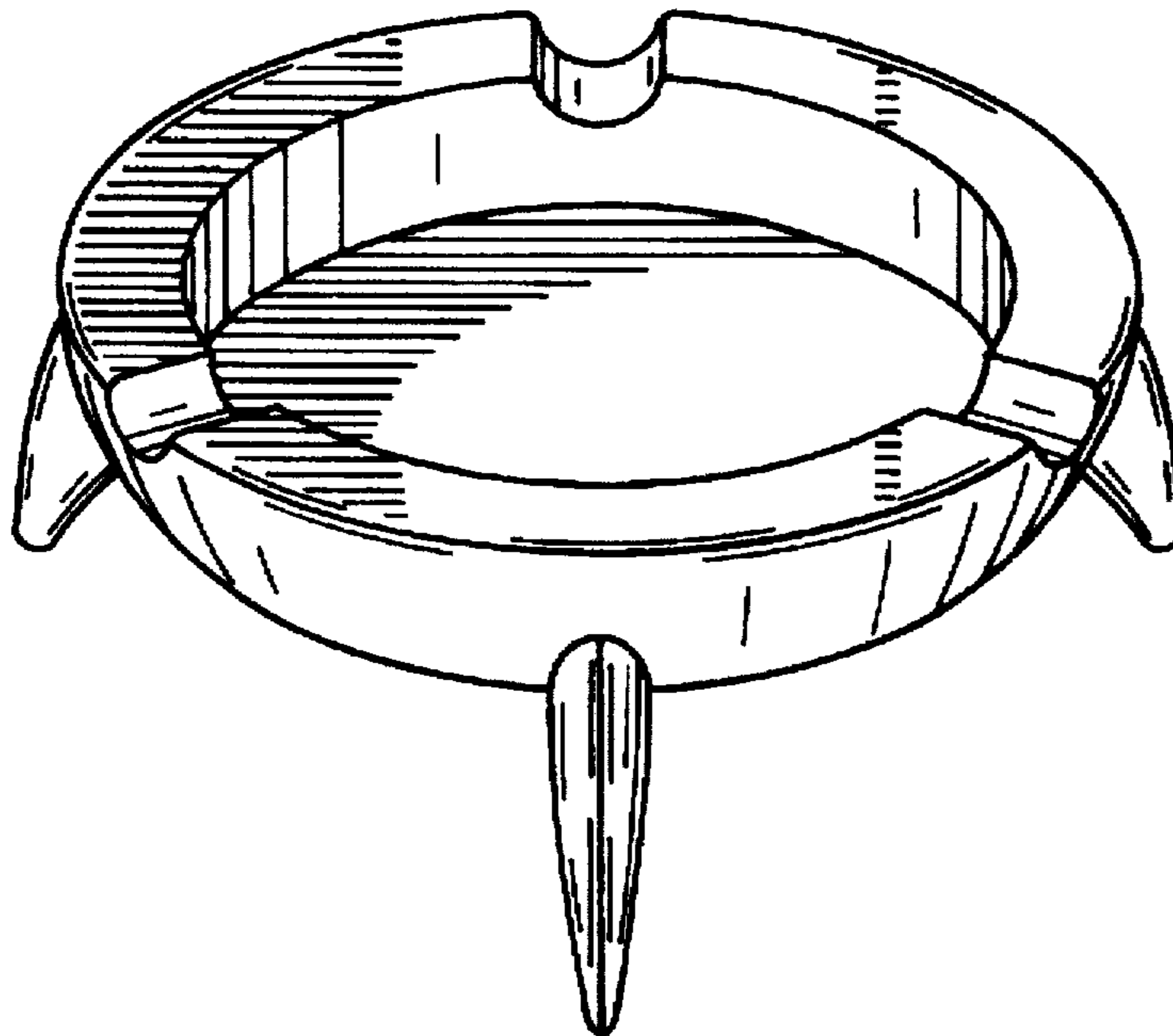
[56] **References Cited**

**U.S. PATENT DOCUMENTS**

D. 85,983 1/1932 Kirkpatrick ..... D27/102

D. 241,148 8/1976 McClure ..... D27/133

**1 Claim, 2 Drawing Sheets**



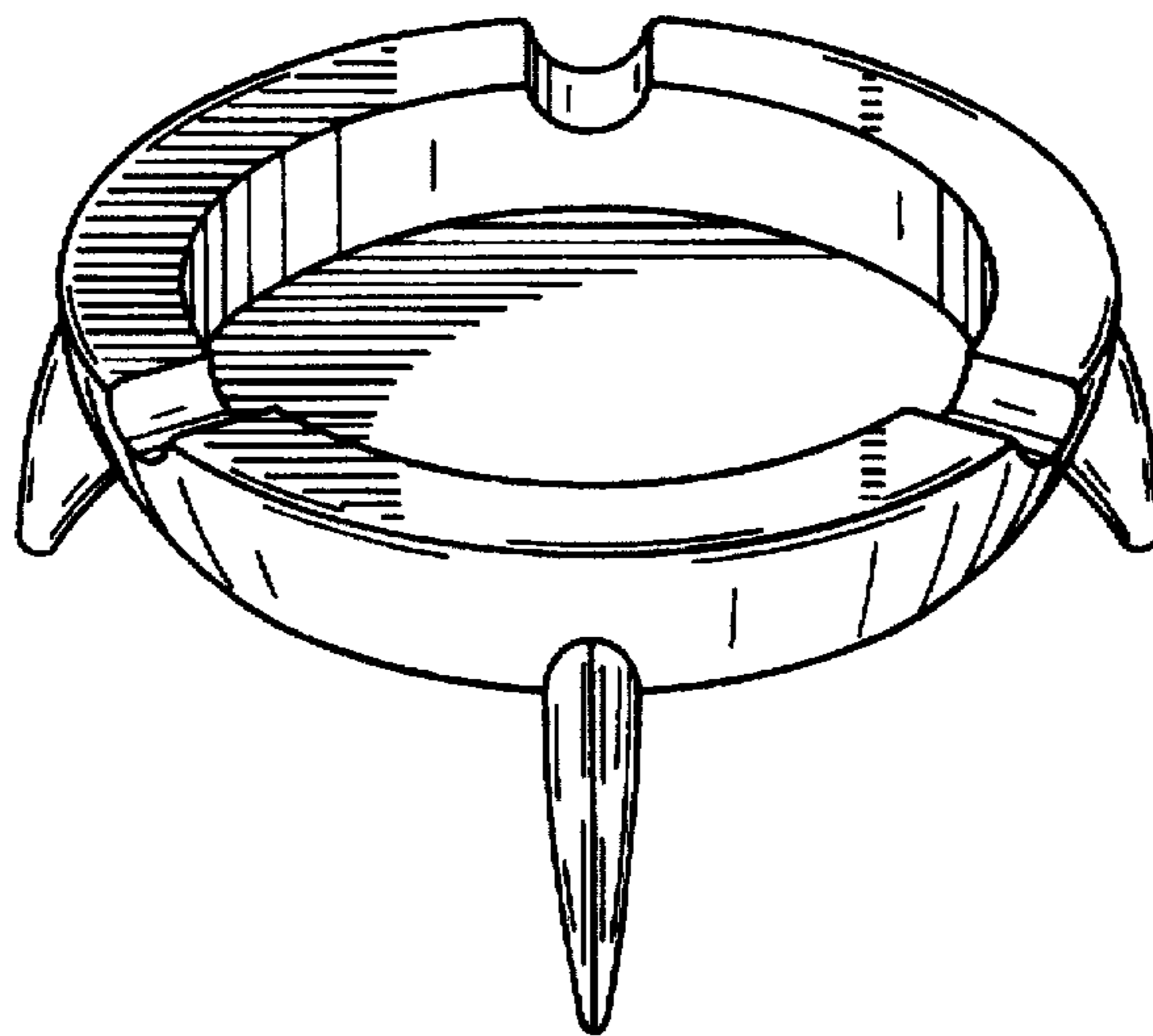


FIG. 1

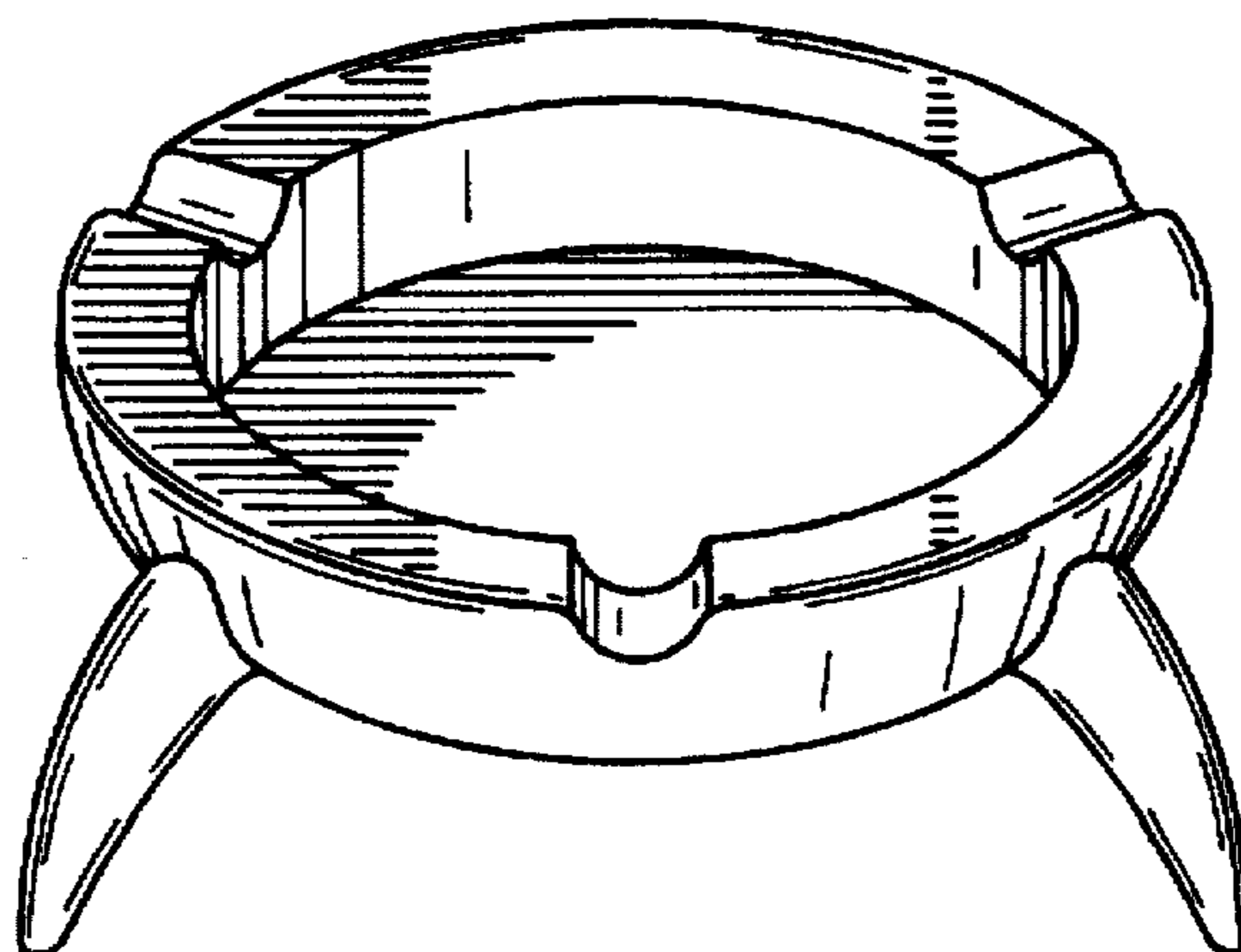


FIG. 2

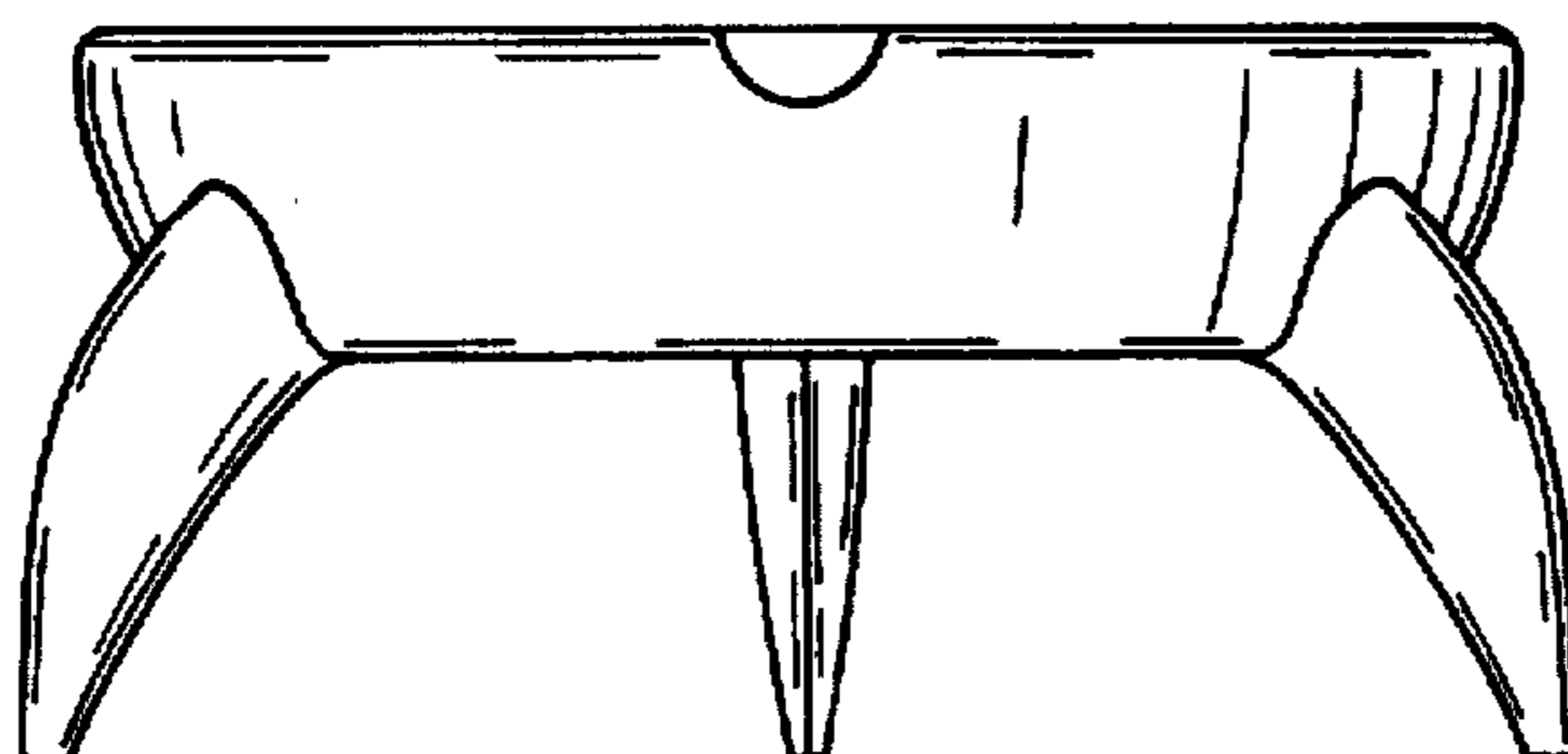


FIG. 3

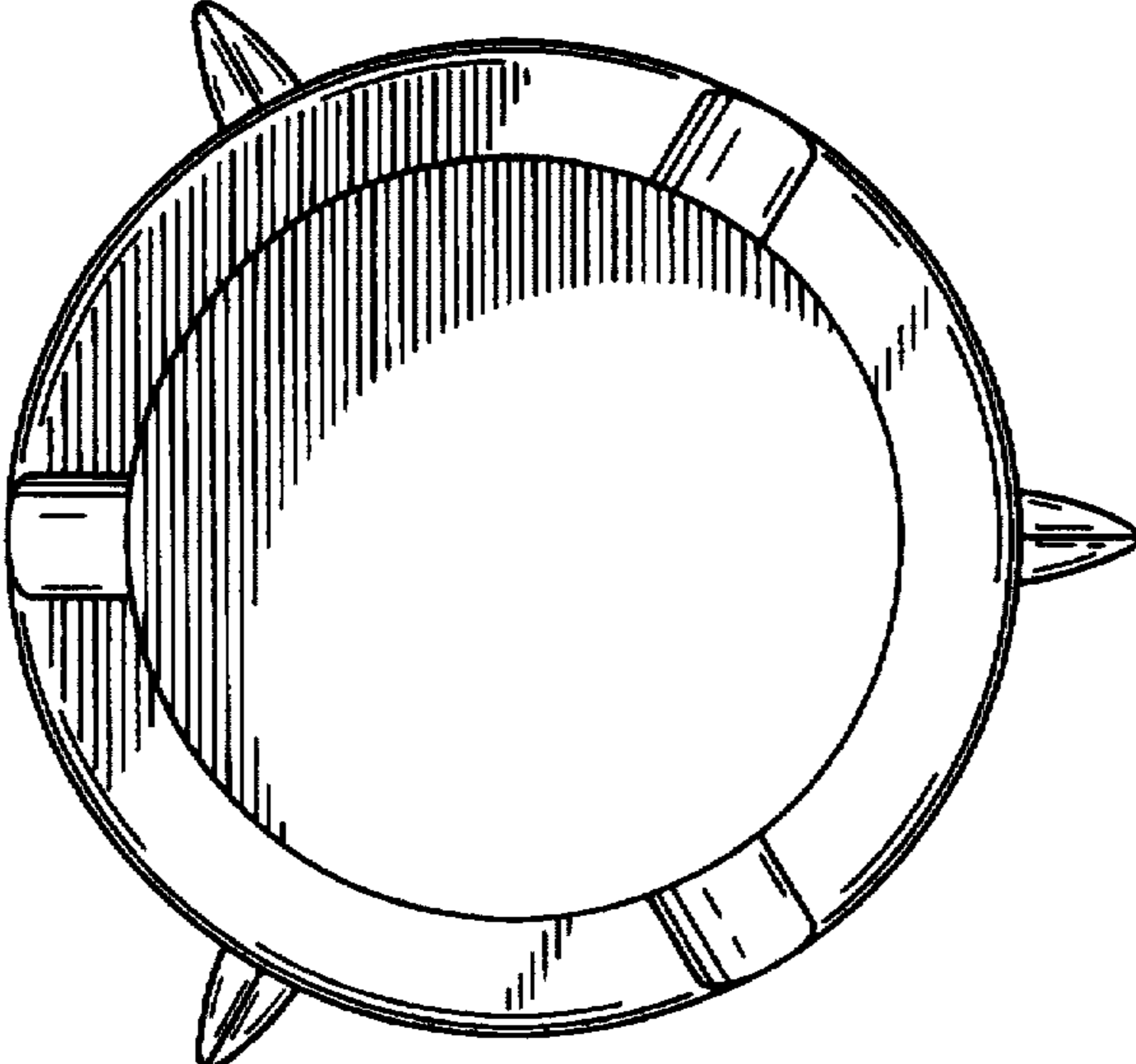


FIG. 4

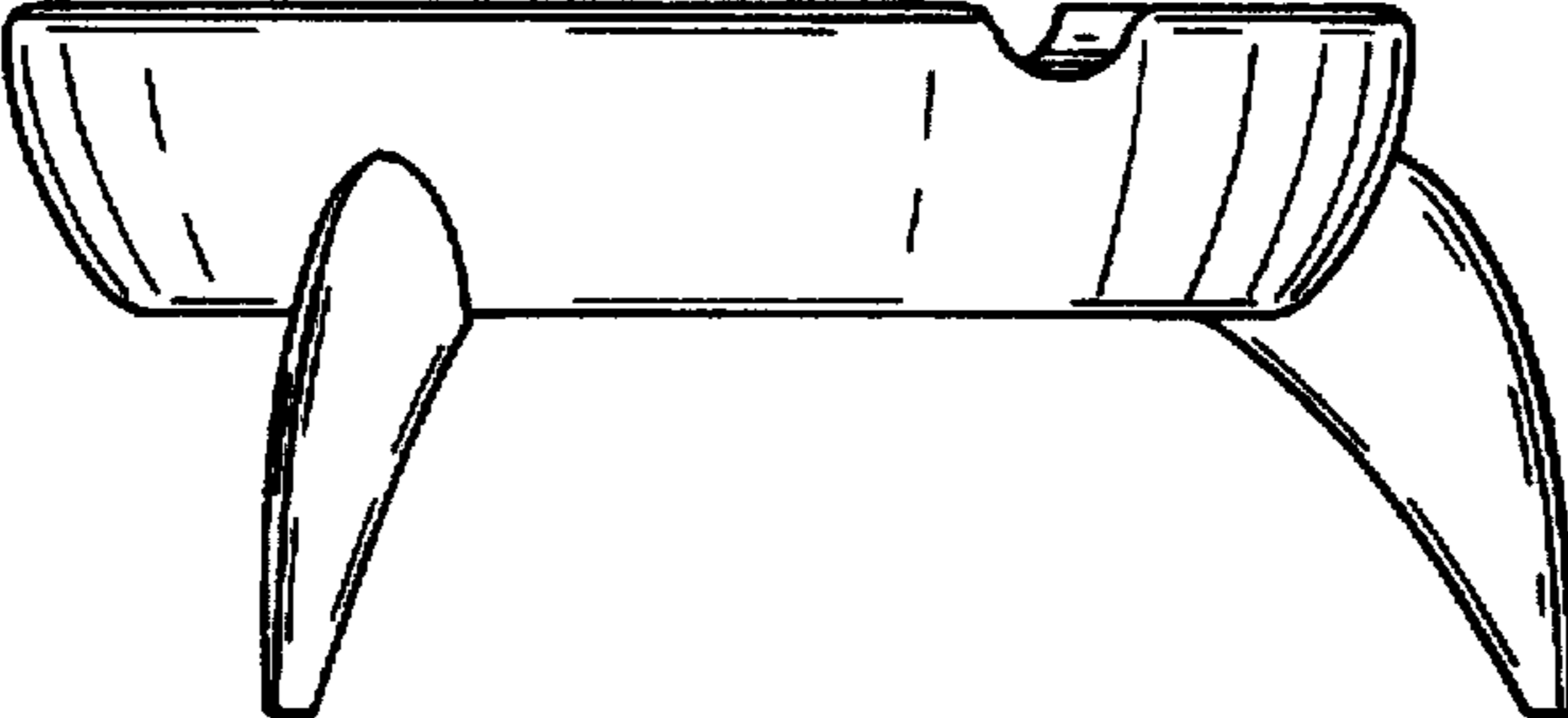


FIG. 5

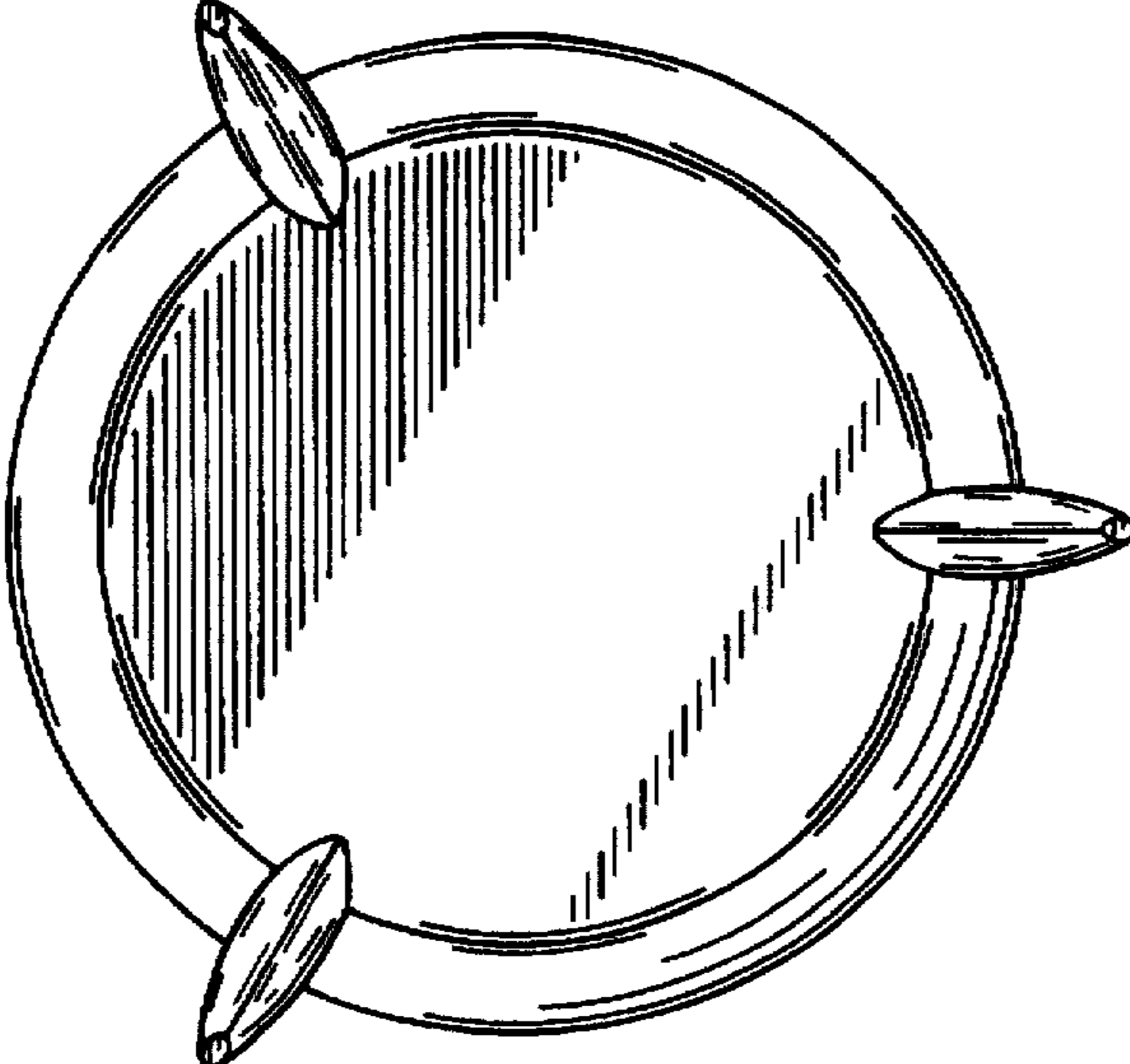


FIG. 6