

US00D393921S

United States Patent [19]

Cicoello et al.

[11] Patent Number: Des. 393,921

[45] Date of Patent: **Apr. 28, 1998

[54] **ADJUSTABLE STUDIO LIGHT BRACKET**

[76] Inventors: **Albert Cicoello**, 1807 Ridgeway La., Simi Valley, Calif. 93065; **George G. Welch**, 11435 Tiara St., North Hollywood, Calif. 91601

[**] Term: **14 Years**

[21] Appl. No.: **64,431**

[22] Filed: **Dec. 31, 1996**

[51] **LOC (6) Cl.** **26-99**

[52] **U.S. Cl.** **D26/138**

[58] **Field of Search** D26/138; 362/191, 362/396; 248/121-122, 125, 127-128, 156, 158-159

[56] **References Cited**

U.S. PATENT DOCUMENTS

646,835	4/1900	Jackson	248/231.71	X
1,211,527	1/1917	Berndt	248/231.71	X
3,891,173	6/1975	Ellis et al.	248/231.71	

Primary Examiner—Holly Baynham
Attorney, Agent, or Firm—Timothy Thut Tyson

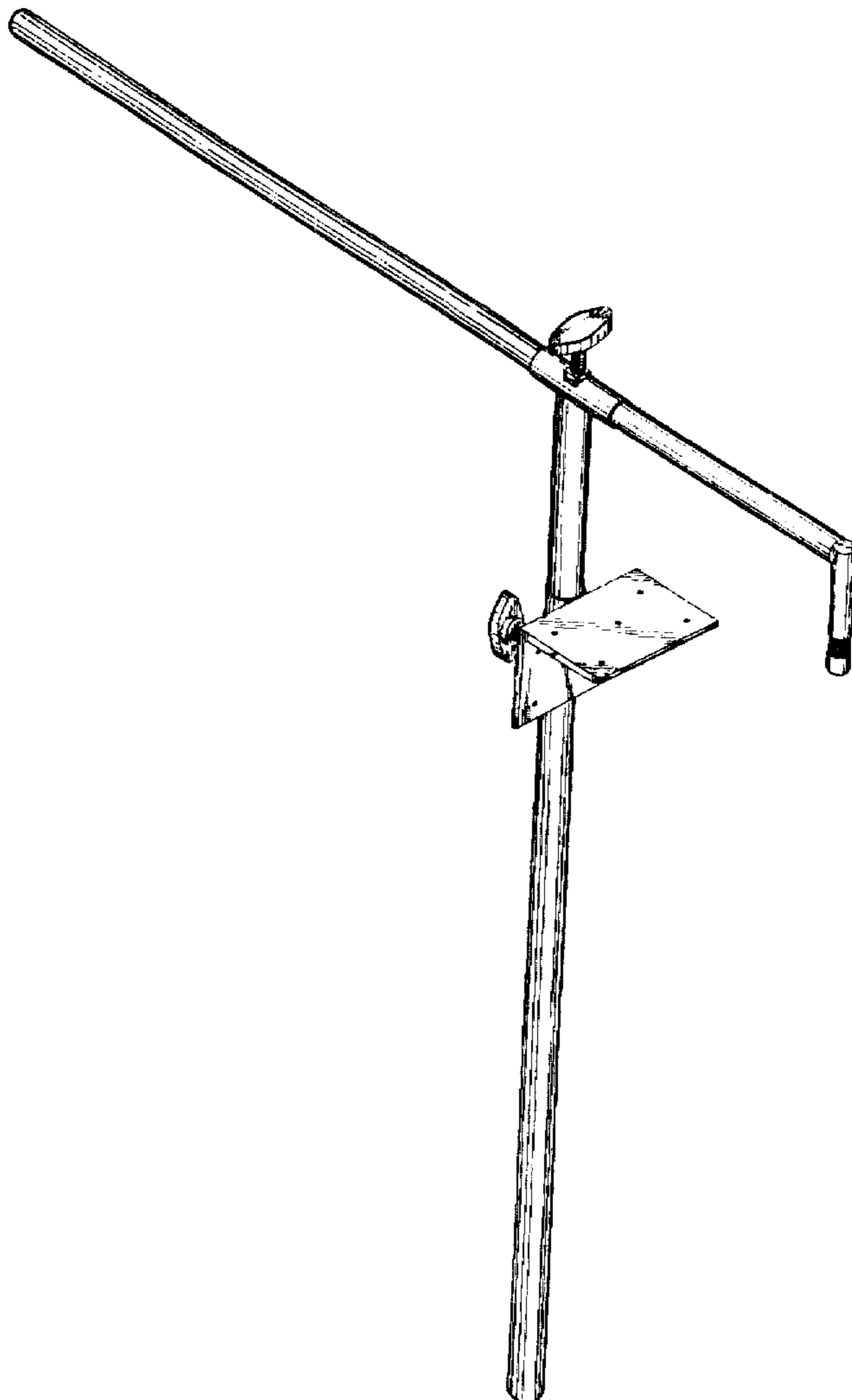
[57] **CLAIM**

The ornamental design for an adjustable studio light bracket, as shown and described.

DESCRIPTION

FIG. 1 is a right side, top, front perspective view of an adjustable studio light bracket showing our new design; FIG. 2 is an enlarged fragmented view of the central area of FIG. 1; FIG. 3 is a front elevational view of FIG. 2; FIG. 4 is a left side elevational view of FIG. 2, the right side elevational view being the mirror image thereof; FIG. 5 is a top plan view of FIG. 2; FIG. 6 is a rear elevational view of FIG. 2; and, FIG. 7 is a bottom plan view of FIG. 2. The claimed design is shown fragmented in FIGS. 2-7 for clarity of illustration.

1 Claim, 3 Drawing Sheets



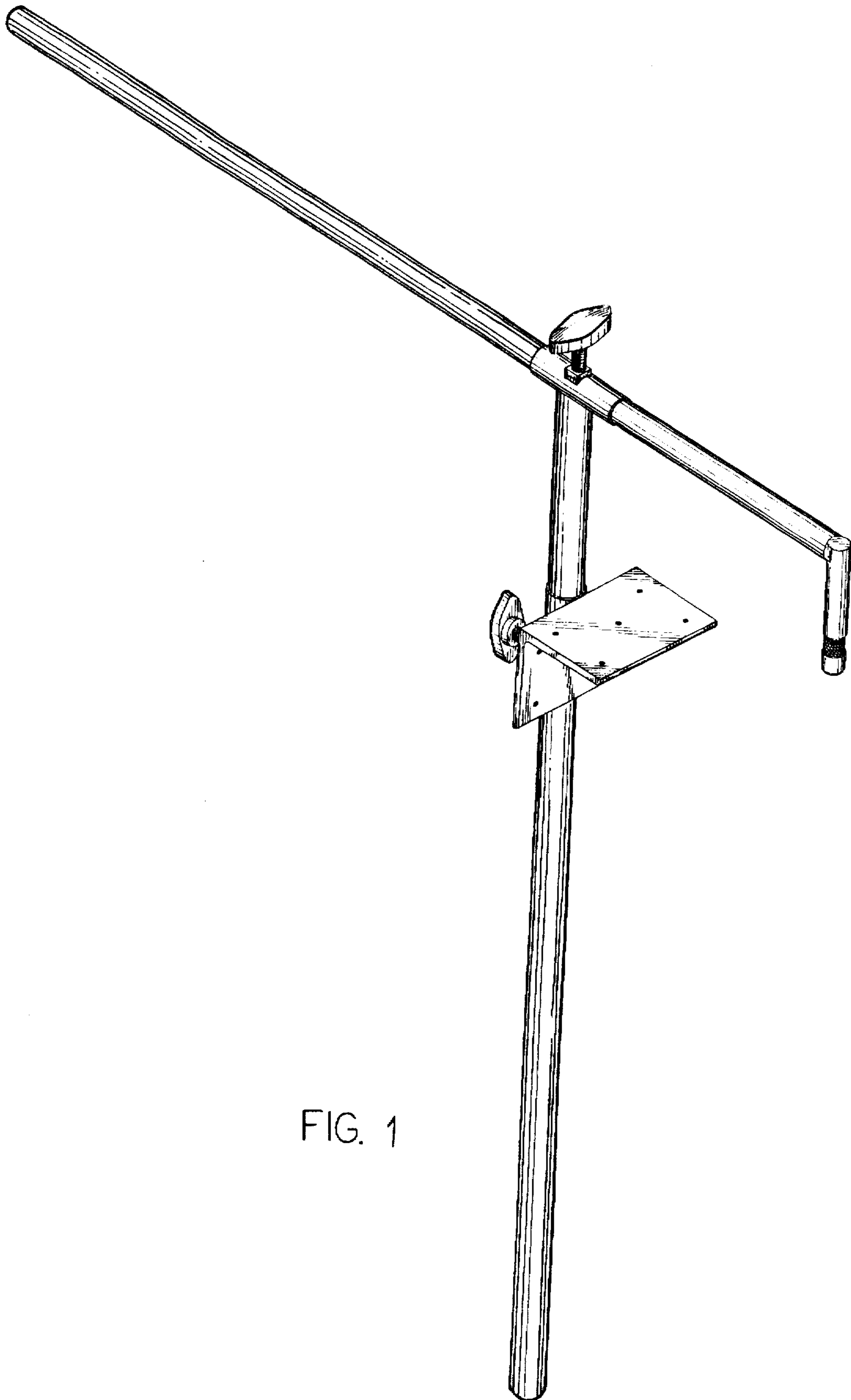


FIG. 1

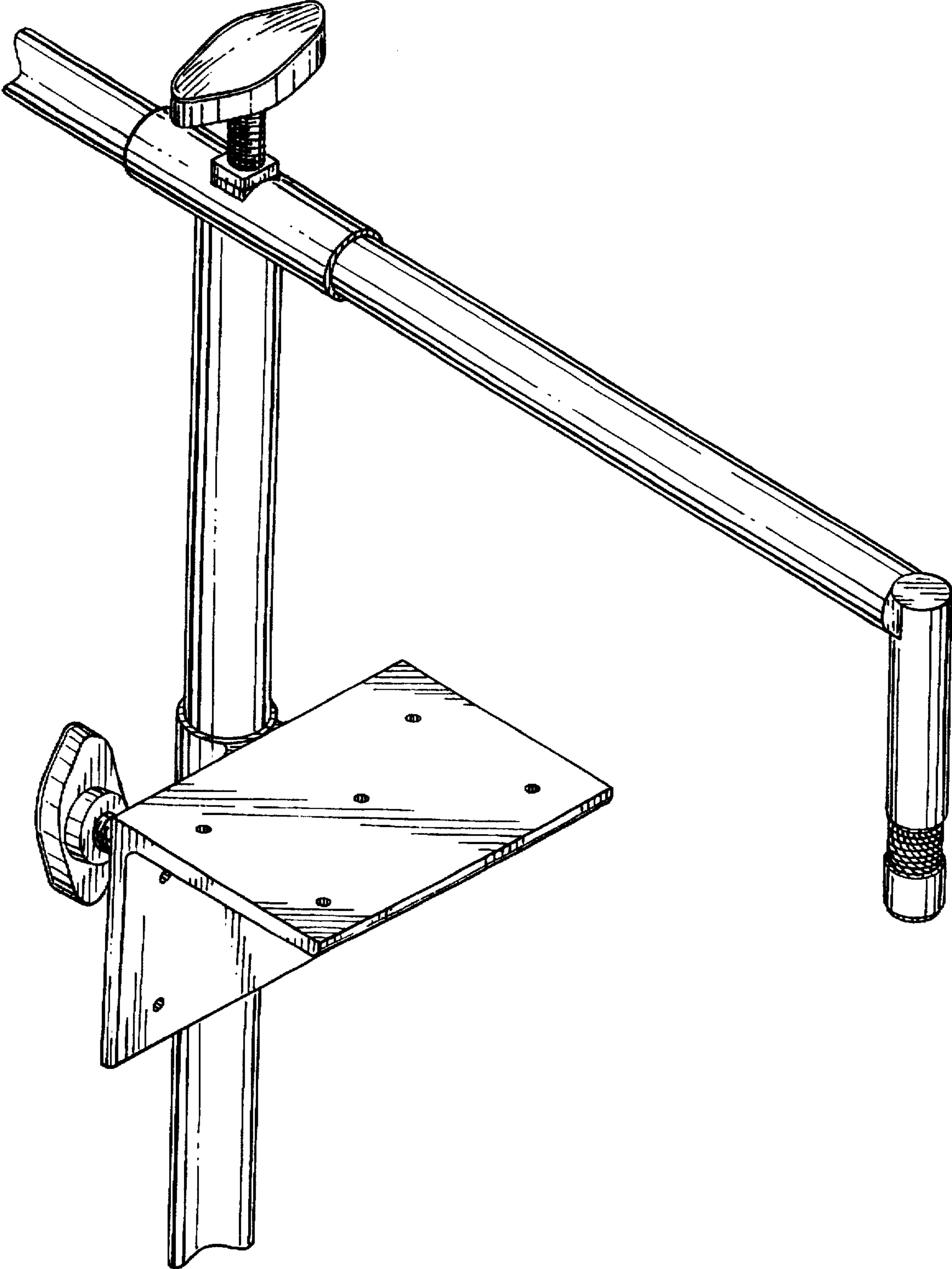


FIG. 2

