



US00D393920S

United States Patent [19]
Palmer

[11] **Patent Number: Des. 393,920**

[45] **Date of Patent: **Apr. 28, 1998**

[54] **BRACKET FOR HOLDING A FLASHLIGHT**

3,021,601 2/1962 Hayes 248/214 X

[75] **Inventor: Gary L. Palmer, Vinton, Va.**

Primary Examiner—Holly Baynham
Attorney, Agent, or Firm—Plevy & Associates

[73] **Assignee: ITT Industries, Inc., White Plains, N.Y.**

[57] **CLAIM**

[**] **Term: 14 Years**

The ornamental design for a bracket for holding a flashlight, as shown.

[21] **Appl. No.: 64,204**

DESCRIPTION

[22] **Filed: Dec. 24, 1996**

[51] **LOC (6) Cl. 26-99**

[52] **U.S. Cl. D26/138**

[58] **Field of Search D8/355; D26/138; 248/121-122, 125, 127-128, 156, 158-159; 362/191, 396**

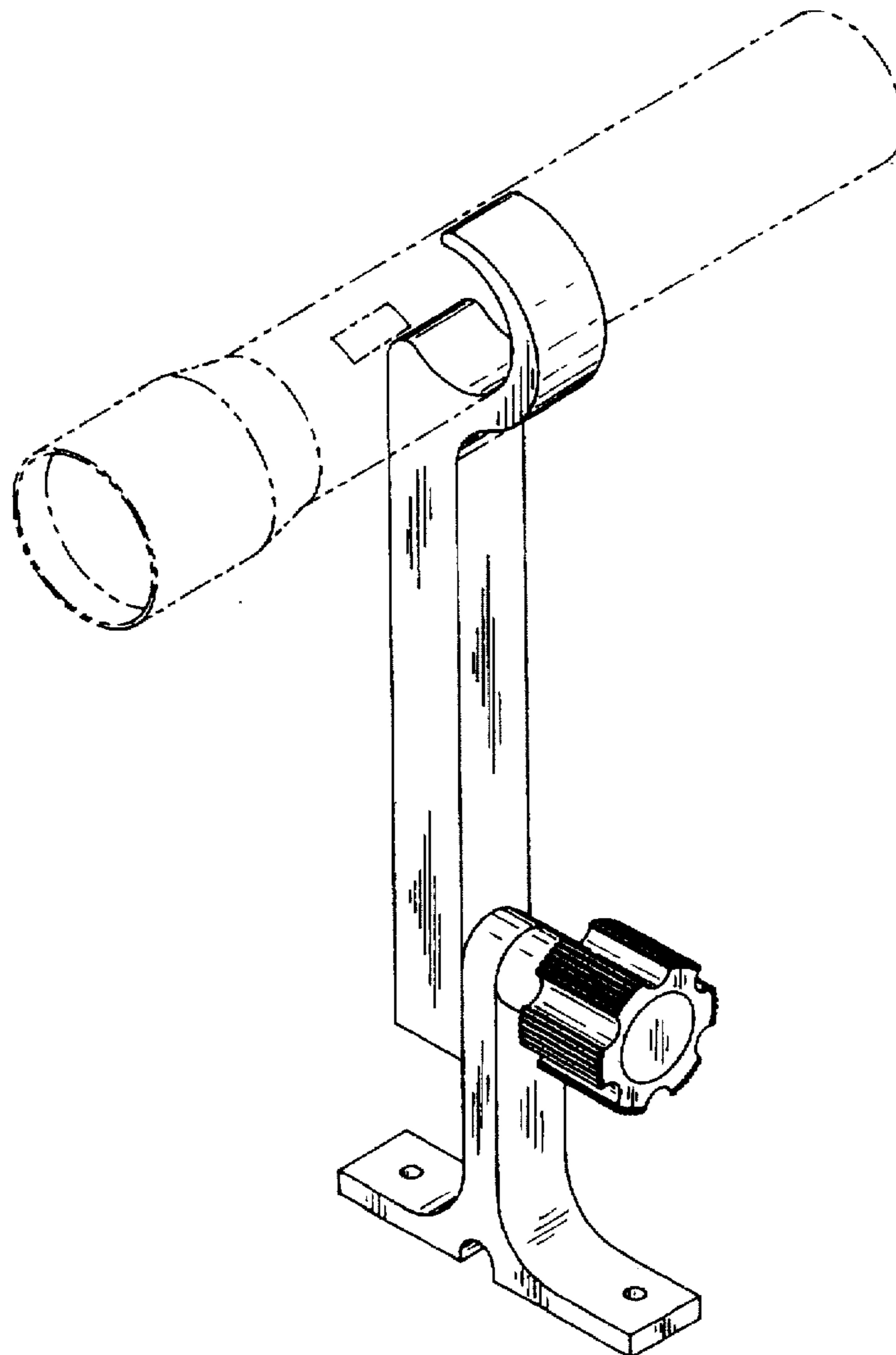
FIG. 1 is a perspective plan view of the bracket for holding a flashlight;
FIG. 2 is a front plan view;
FIG. 3 is a top view;
FIG. 4 is a right side view;
FIG. 5 is a left side view; and,
FIG. 6 is a bottom view.

[56] **References Cited**

U.S. PATENT DOCUMENTS

2,441,489 5/1948 Jacobs 362/396

1 Claim, 2 Drawing Sheets



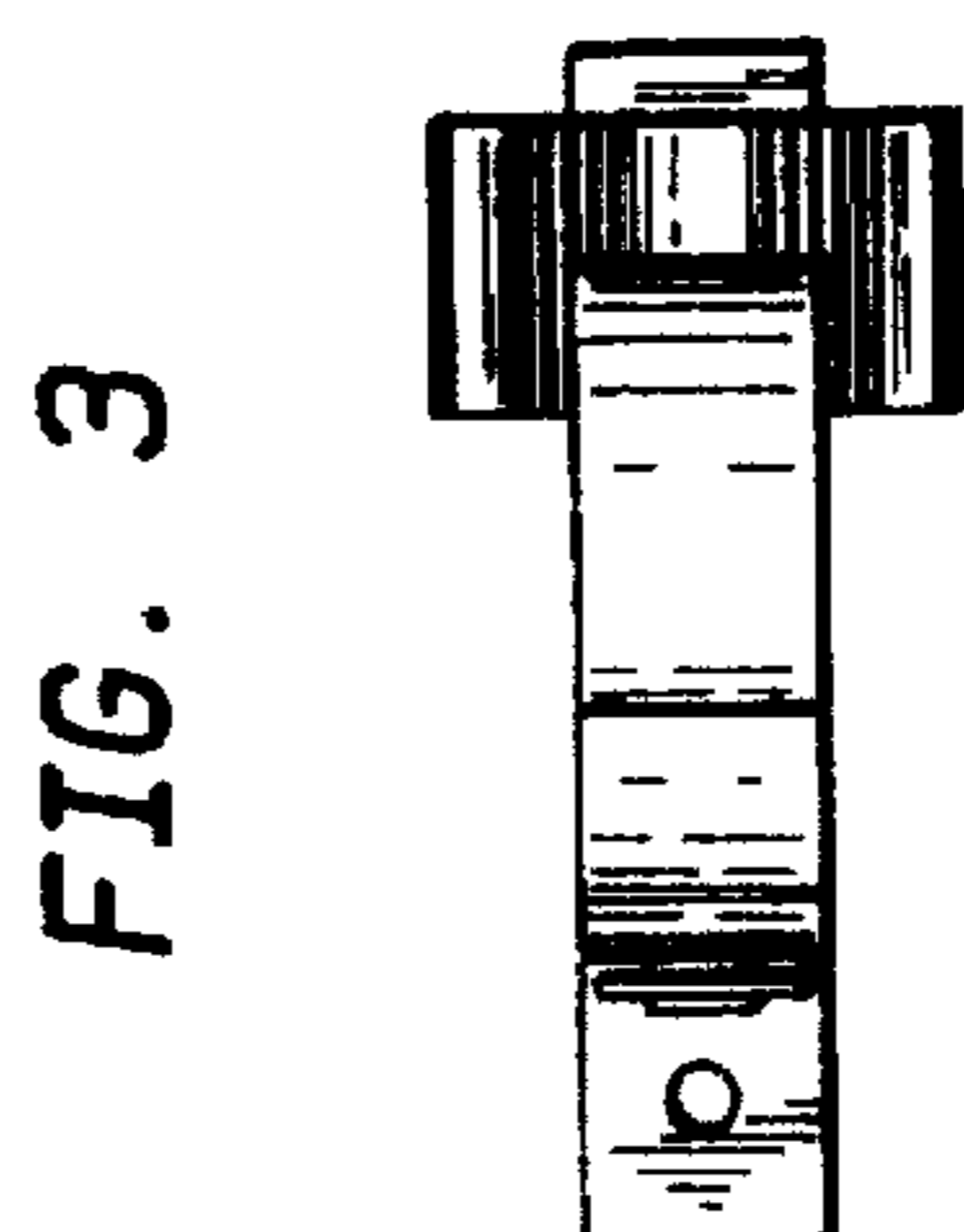
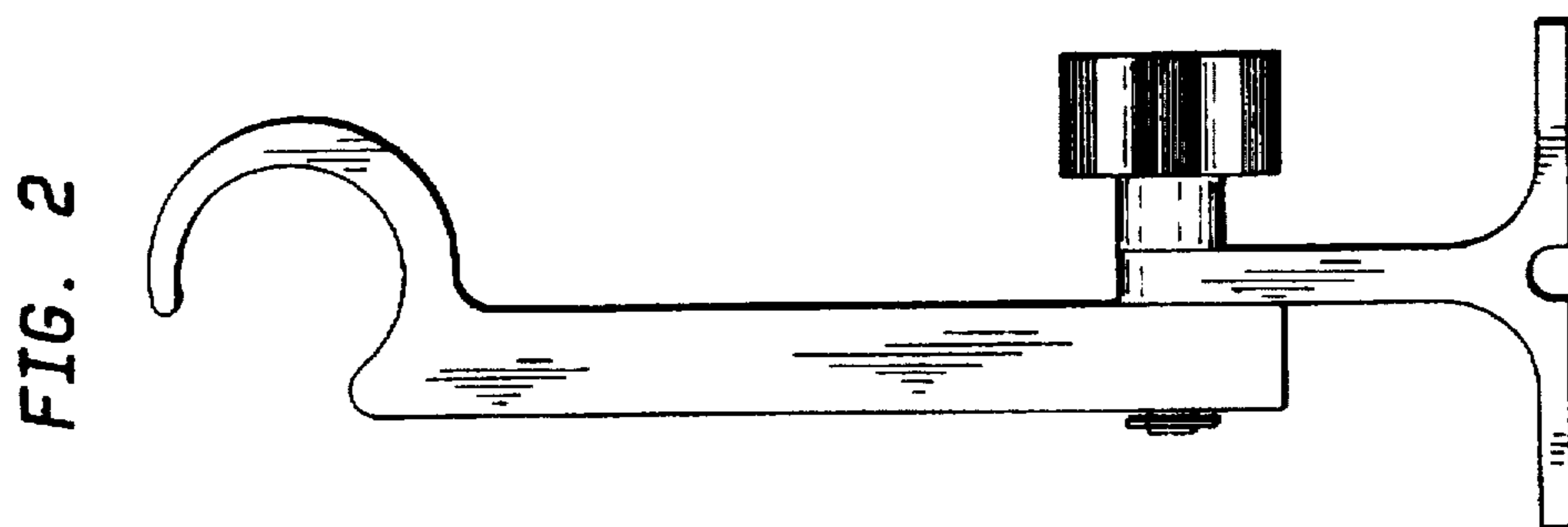
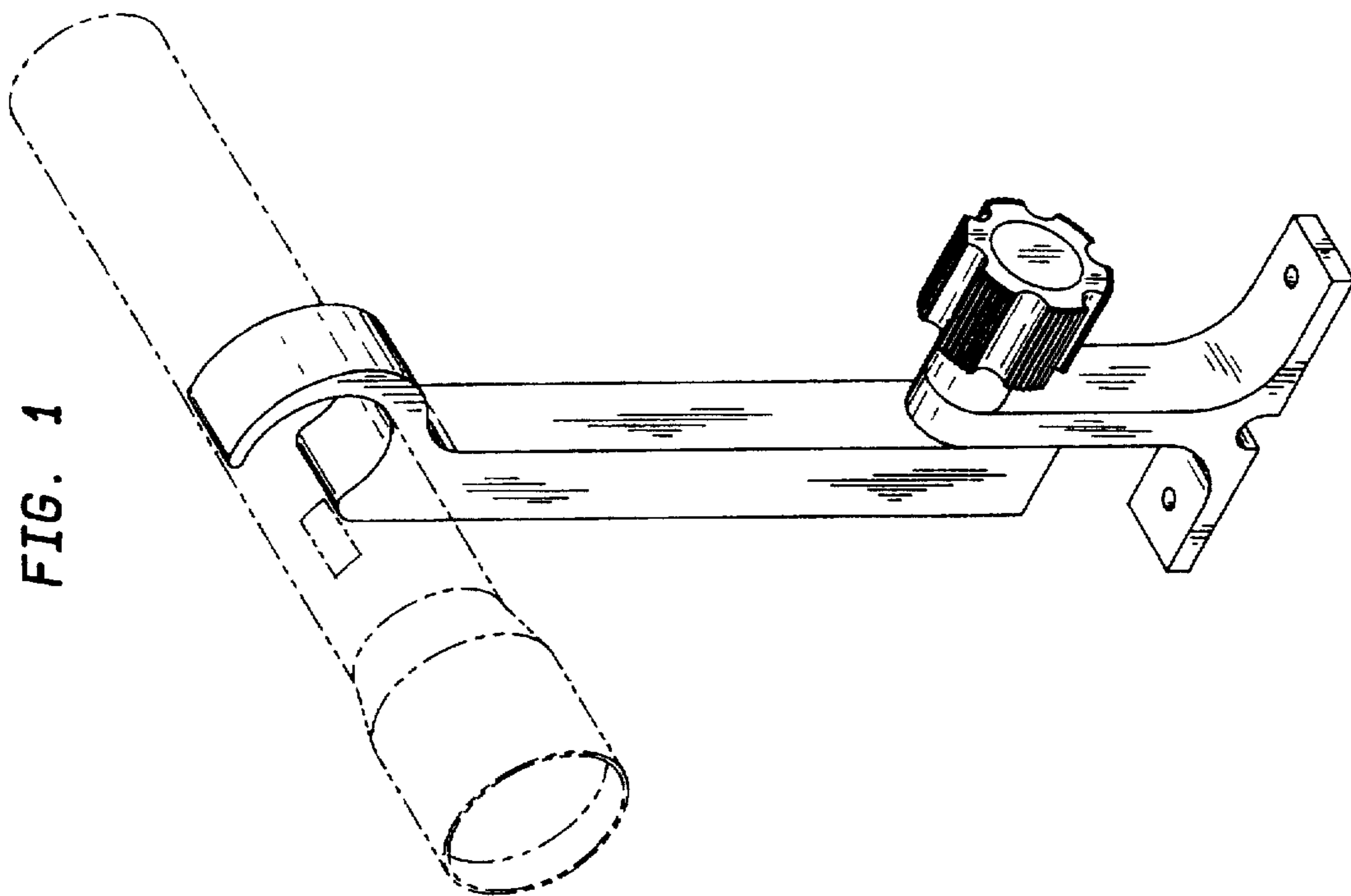


FIG. 5

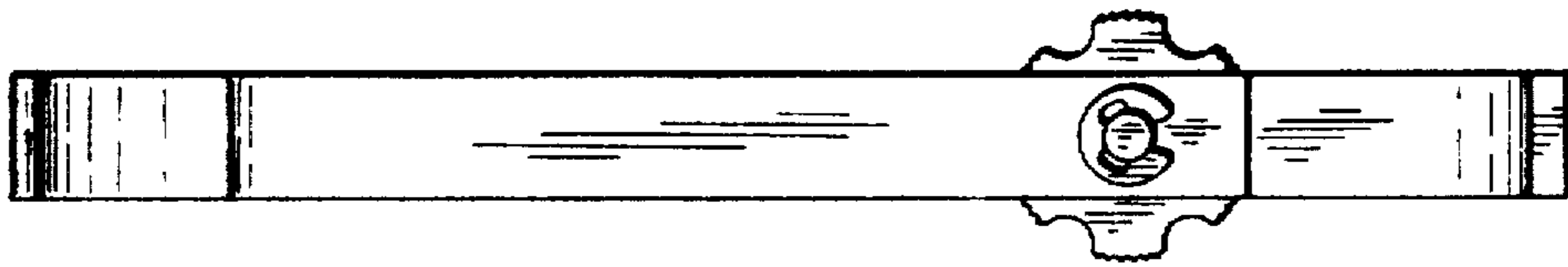


FIG. 4

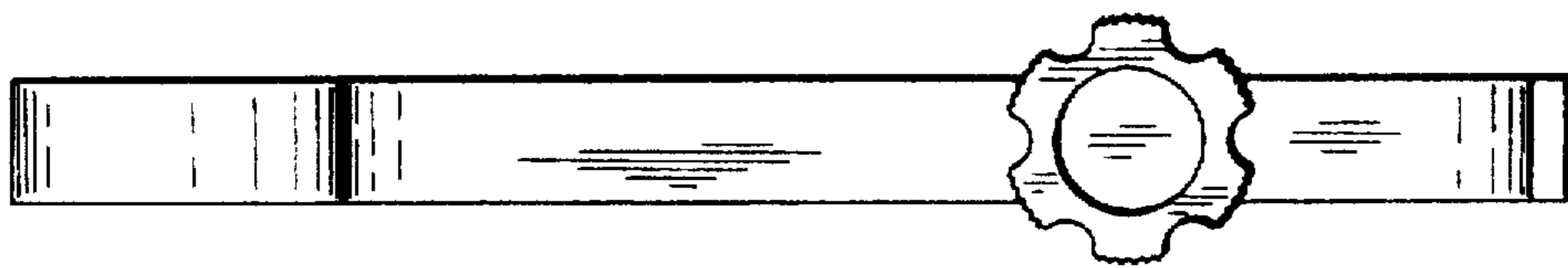


FIG. 6

