



US00D393915S

United States Patent [19]
Yuen

[11] **Patent Number: Des. 393,915**

[45] **Date of Patent: **Apr. 28, 1998**

[54] **RECHARGEABLE LANTERN**
[75] **Inventor: Se Kit Yuen, Kowloon, Hong Kong**
[73] **Assignee: John Manufacturing Limited,
Kowloon, Hong Kong**
[**] **Term: 14 Years**

D. 306,769 3/1990 Yuen D26/42
D. 311,776 10/1990 Krol D26/42
D. 320,464 10/1991 Yuen D26/42
D. 321,568 11/1991 Yuen D26/42
D. 343,467 1/1994 Yuen D26/42
D. 348,942 7/1994 Yuen D26/42
D. 350,210 8/1994 Yuen D26/42
D. 363,563 10/1995 Yuen D26/42

[21] **Appl. No.: 57,711**
[22] **Filed: Jul. 30, 1996**

Primary Examiner—Marcus A. Jackson
Attorney, Agent, or Firm—Merchant, Gould, Smith, Edell,
Welter & Schmidt, P.A.

Related U.S. Application Data

[62] **Division of Ser. No. 47,326, Dec. 1, 1995.**

[57] **CLAIM**

The ornamental design for a rechargeable lantern, as shown and described.

[30] **Foreign Application Priority Data**

DESCRIPTION

Aug. 1, 1995 [GB] United Kingdom 2049176

[51] **LOC (6) Cl. 26-02**
[52] **U.S. Cl. D26/42**
[58] **Field of Search D26/37-50; 362/157,
362/158, 183-208**

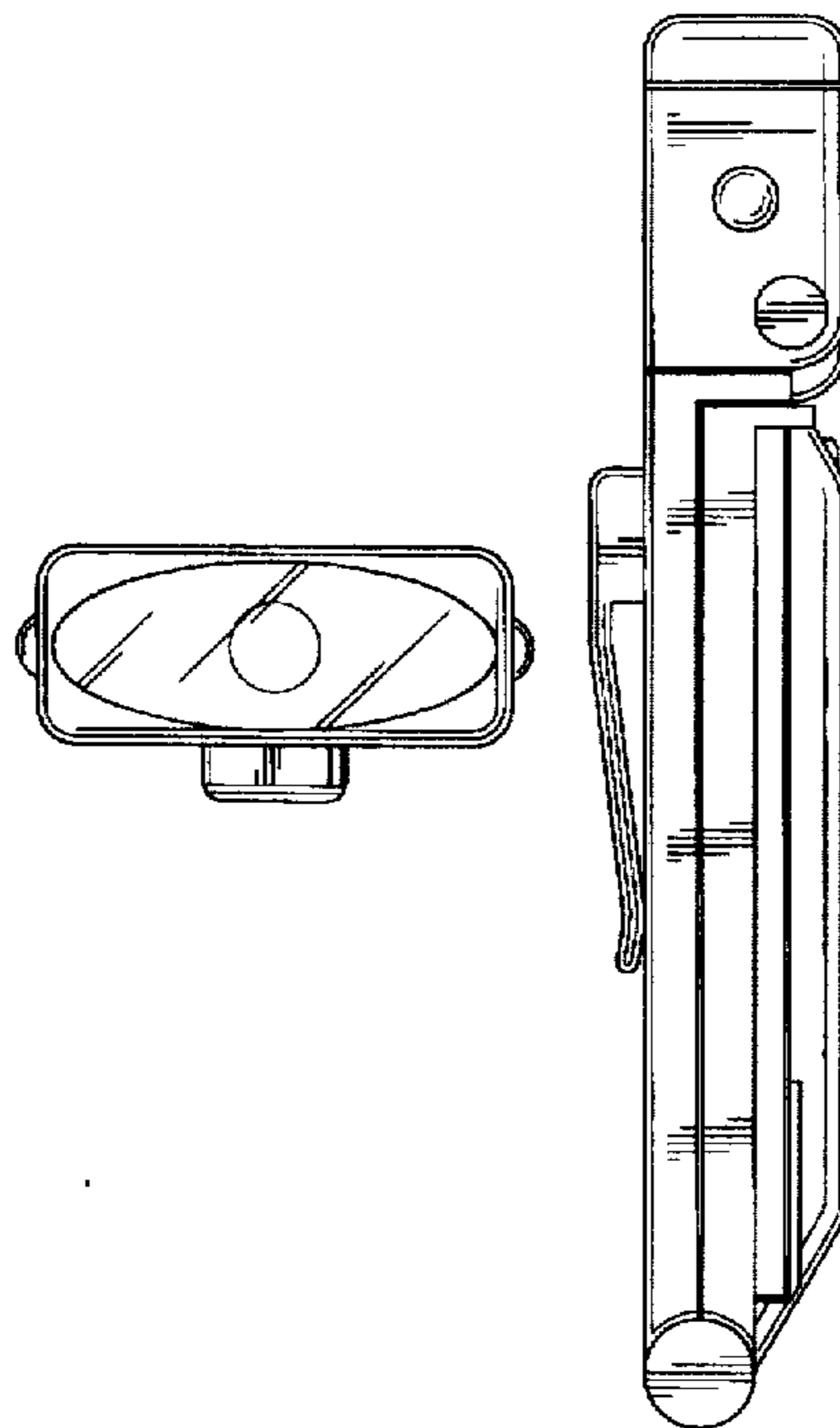
FIG. 1 is a top plan view of a rechargeable lantern showing my new design;
FIG. 2 is a bottom plan view thereof;
FIG. 3 is a front elevational view thereof;
FIG. 4 is a rear elevational view thereof; and
FIG. 5 is a right side elevational view, the left side elevational view not shown as it is substantially the same as the right side elevational view.

[56] **References Cited**

U.S. PATENT DOCUMENTS

D. 306,768 3/1990 Yuen D26/42

1 Claim, 4 Drawing Sheets



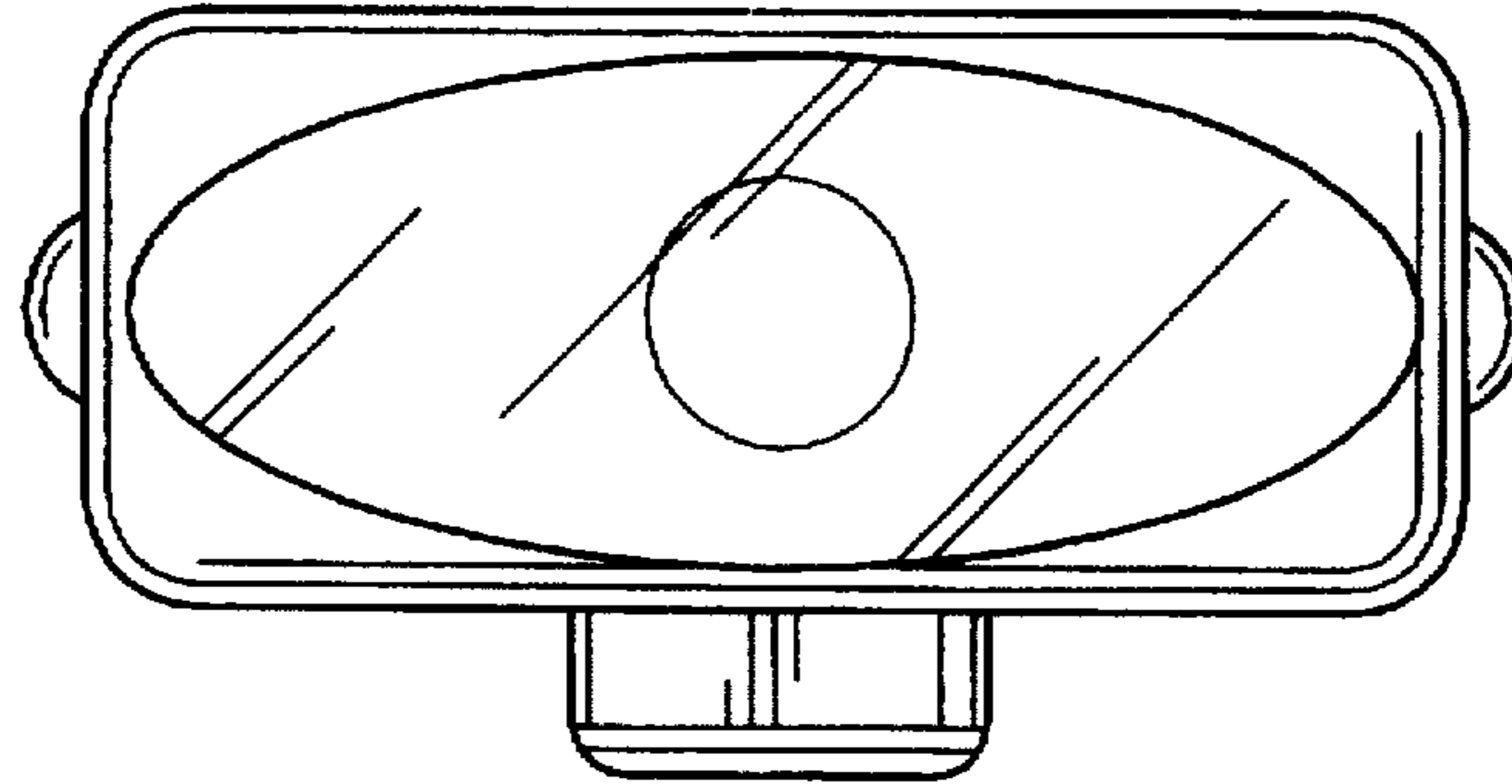


FIG. 1

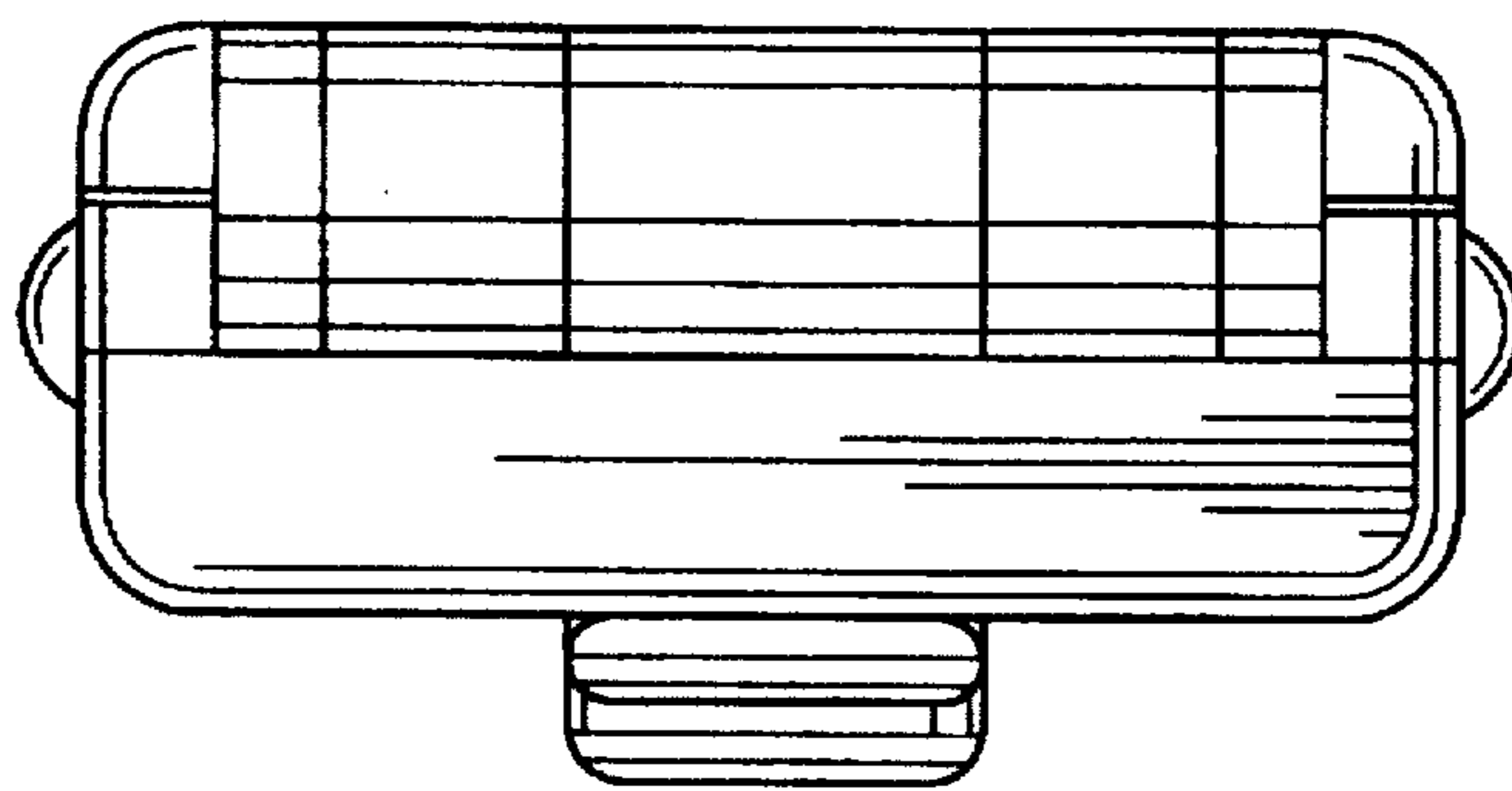


FIG. 2

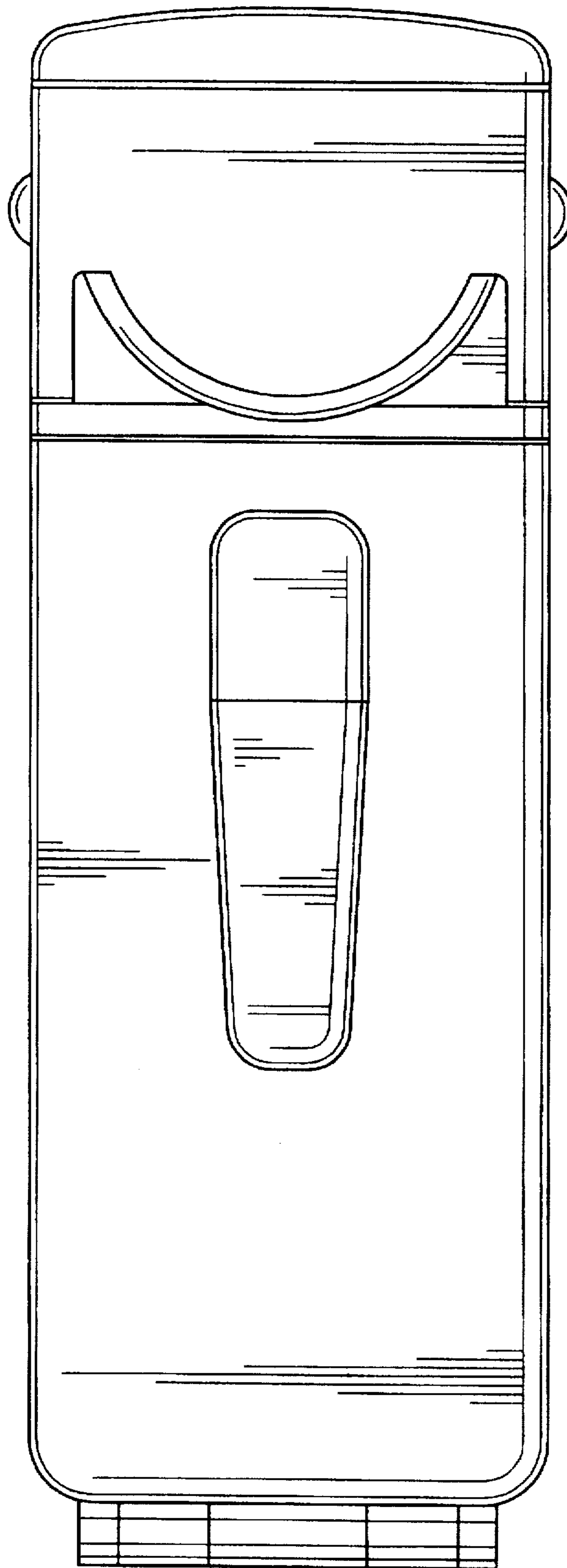


FIG. 3

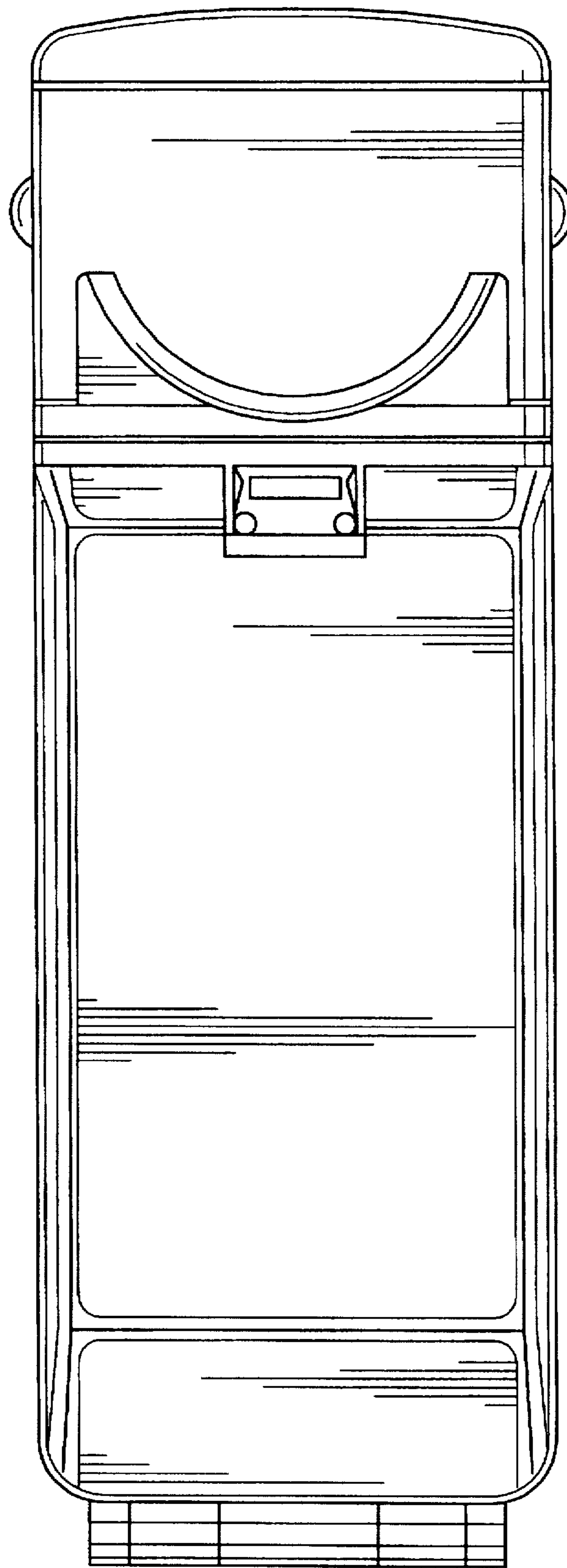


FIG. 4

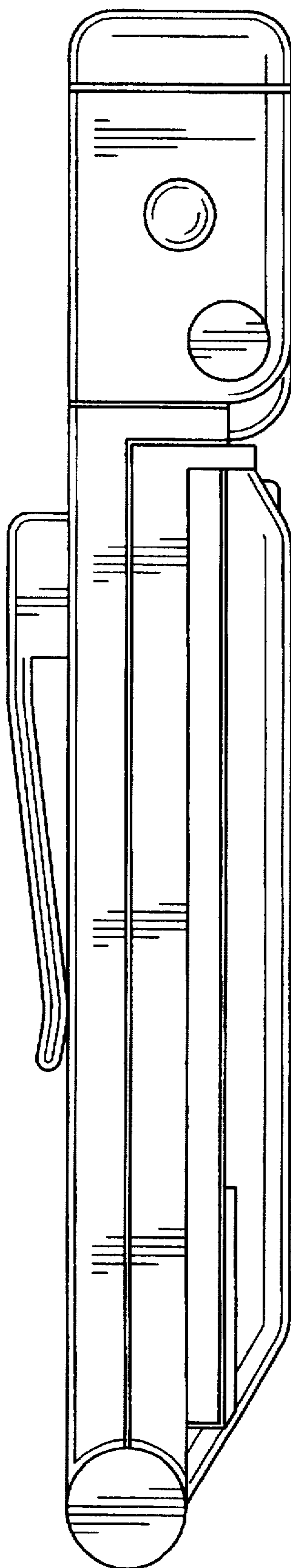


FIG. 5