

US00D393910S

**United States Patent** [19]  
**Chambers et al.**

[11] **Patent Number: Des. 393,910**

[45] **Date of Patent: \*\*Apr. 28, 1998**

[54] **CANDLE HOLDER**

D. 375,567 11/1996 Hardy .  
D. 381,442 7/1997 Hardy ..... D26/9  
2,315,803 4/1943 Lipari ..... 431/291

[75] **Inventors: Gregory V. Chambers, Scottsdale, Ariz.; Robert D. Colchagoff; Eldred Edward Lloyd Martin, both of Tulsa, Okla.**

**OTHER PUBLICATIONS**

Pottery Barn catalog, Item C square votive candle holders, p. 16, 1988.  
Biedermann & Sons, Inc., Spring 1988.  
The Gallery of Amsterdam, Mar. 1984.  
Trifles (Sep. 1993).

[73] **Assignee: The Dial Corporation, Phoenix, Ariz.**

[\*\*] **Term: 14 Years**

*Primary Examiner*—Alan P. Douglas  
*Assistant Examiner*—Robin V. Taylor  
*Attorney, Agent, or Firm*—Snell & Wilmer L.L.P.

[21] **Appl. No.: 68,329**

[22] **Filed: Apr. 3, 1997**

[51] **LOC (6) Cl. .... 26-01**

[52] **U.S. Cl. .... D26/9; D26/11**

[58] **Field of Search .... D26/9-12, 20-23; 431/290-292**

[57] **CLAIM**

The ornamental design for a candle holder, as shown and described.

[56] **References Cited**

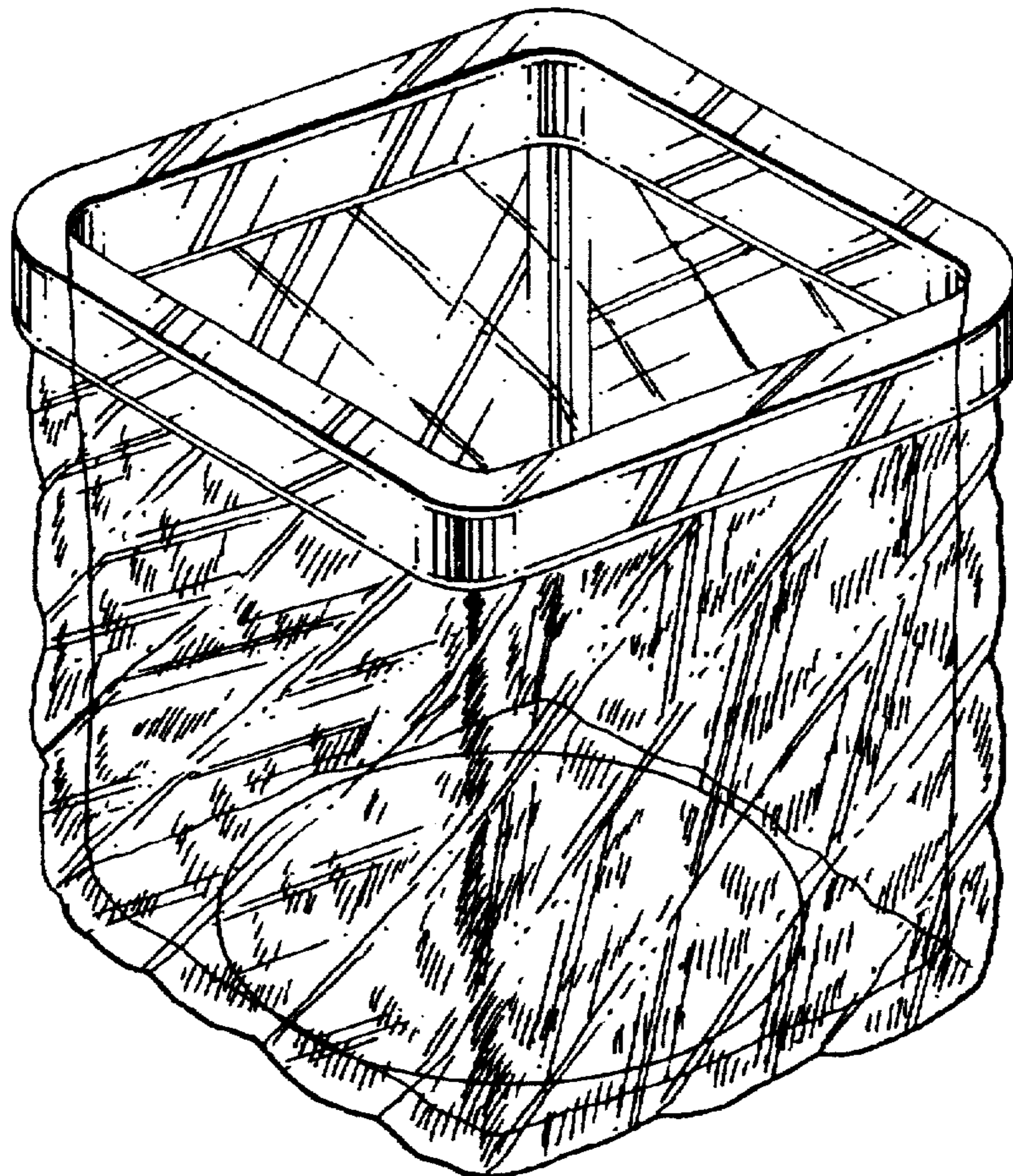
**DESCRIPTION**

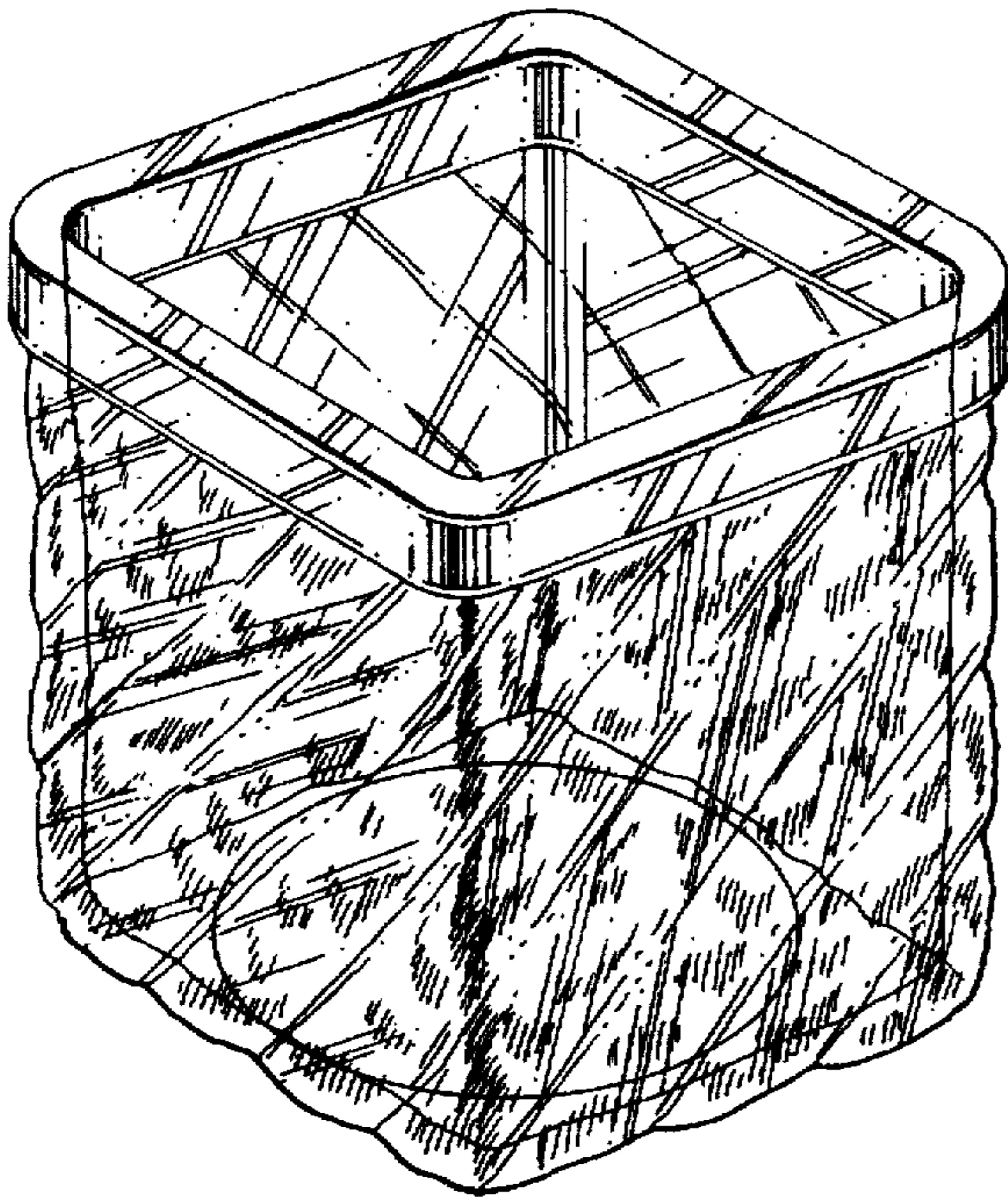
**U.S. PATENT DOCUMENTS**

FIG. 1 is a perspective view of a candle holder showing a new design;  
FIG. 2 is a side view thereof;  
FIG. 3 is a top view thereof; and,  
FIG. 4 is a bottom view thereof.

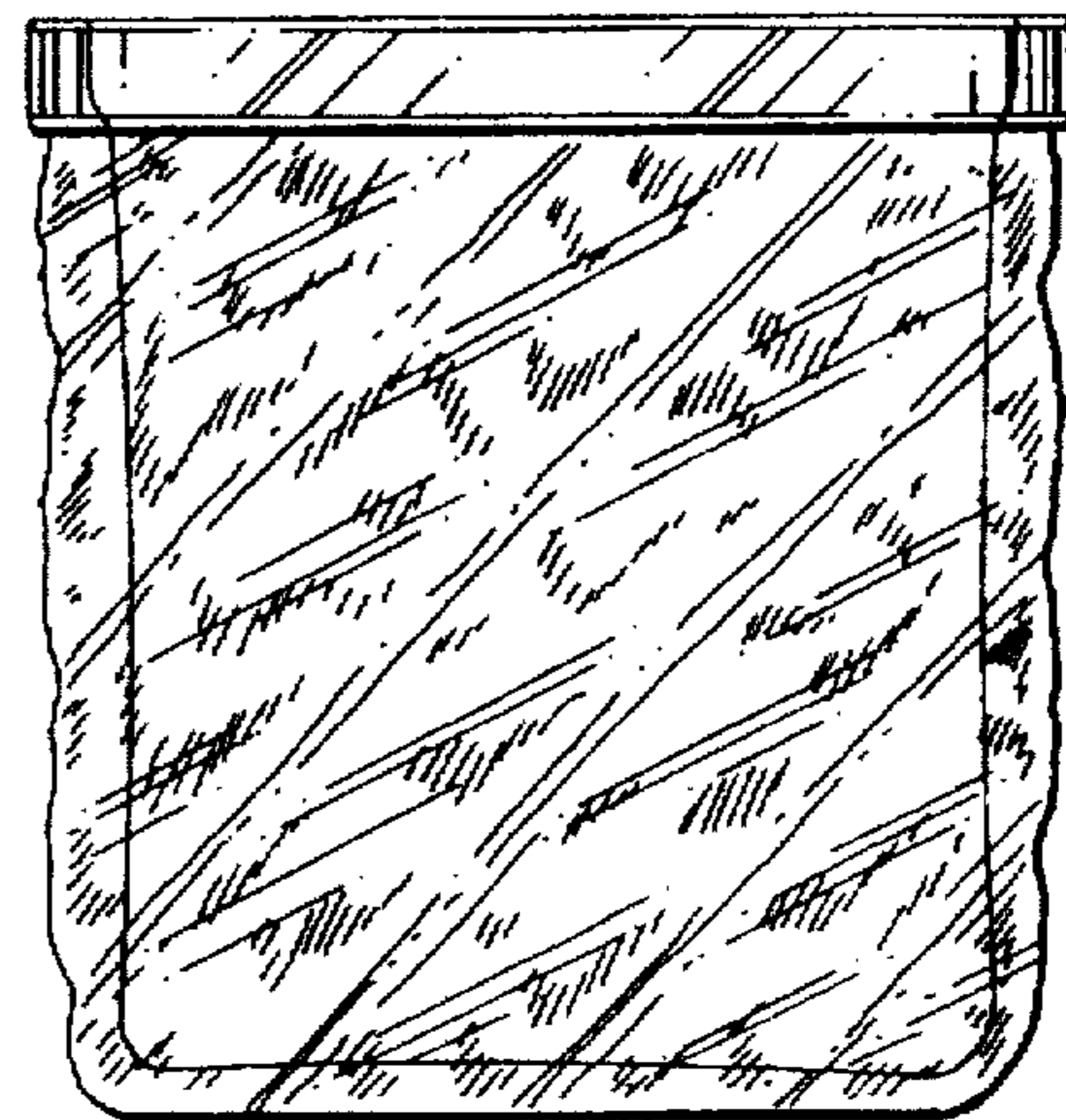
- D. 77,482 1/1929 Haley .
- D. 85,918 1/1932 Dugdale .
- D. 204,556 4/1966 Frazier ..... D26/9
- D. 235,468 6/1975 Frazier ..... D26/9
- D. 293,823 1/1988 Fieschi et al. .... D26/11
- D. 337,614 7/1993 Turner .

**1 Claim, 1 Drawing Sheet**

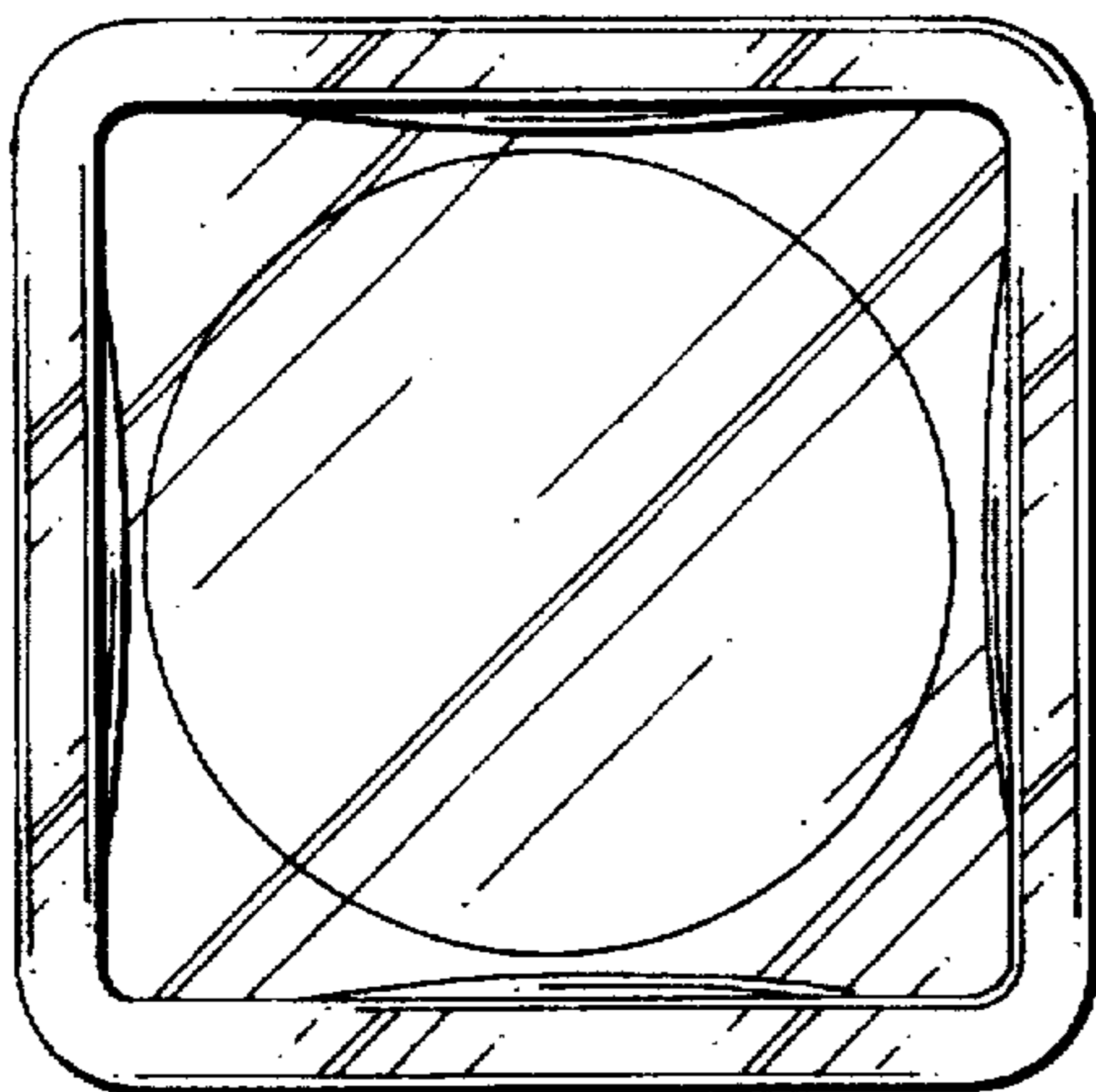




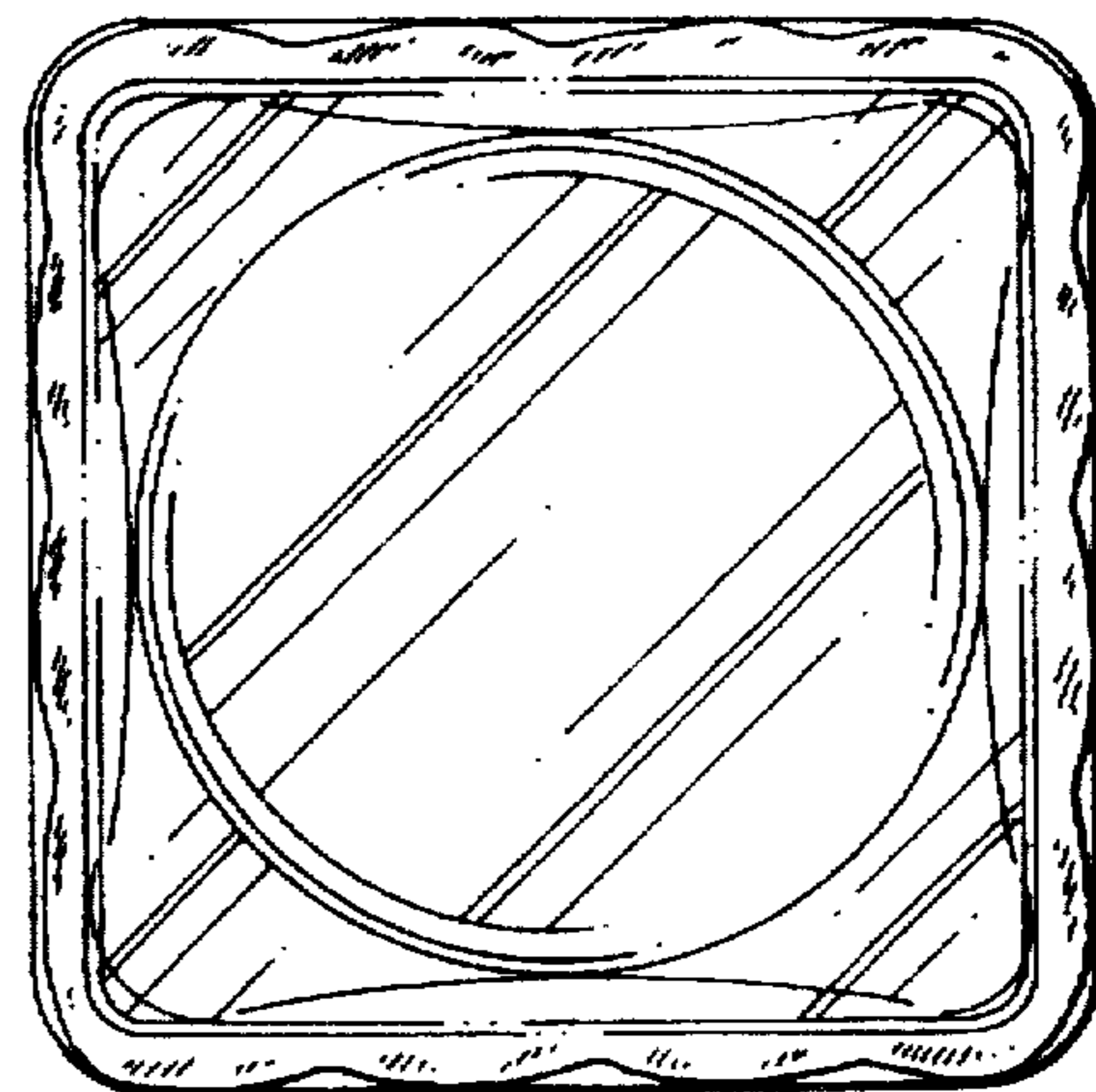
*FIG. 1*



*FIG. 2*



*FIG. 3*



*FIG. 4*