



US00D393908S

United States Patent [19]
Kenkel

[11] **Patent Number: Des. 393,908**

[45] **Date of Patent: **Apr. 28, 1998**

[54] **DOOR FRAME EXTRUSION**

[75] **Inventor: Terry J. Kenkel, Des Moines, Iowa**

[73] **Assignee: Emco Enterprises, Inc., Des Moines, Iowa**

[**] **Term: 14 Years**

[21] **Appl. No.: 70,460**

[22] **Filed: May 8, 1997**

[51] **LOC (6) Cl. 25-01**

[52] **U.S. Cl. D25/124**

[58] **Field of Search D25/124; 49/501, 49/504, DIG. 2; 52/202**

[56] **References Cited**

U.S. PATENT DOCUMENTS

D. 266,949 11/1982 Goldhaber D25/124

D. 363,797 10/1995 Bancroft D25/124

Primary Examiner—Doris Clark

Attorney, Agent, or Firm—Zarley, McKee, Thomte, Voorhees, & Seas

[57] **CLAIM**

The ornamental design for a door frame extrusion, as shown and described.

DESCRIPTION

FIG. 1 is a fragmentary perspective view of the door frame extrusion of the present invention;

FIG. 2 is a fragmentary elevation view of the left end of the door frame extrusion in FIG. 1; The right end of the extrusion is not separately illustrated because it is merely a reverse or mirror image of the left end;

FIG. 3 is a fragmentary front elevation view of the door frame extrusion in FIG. 1;

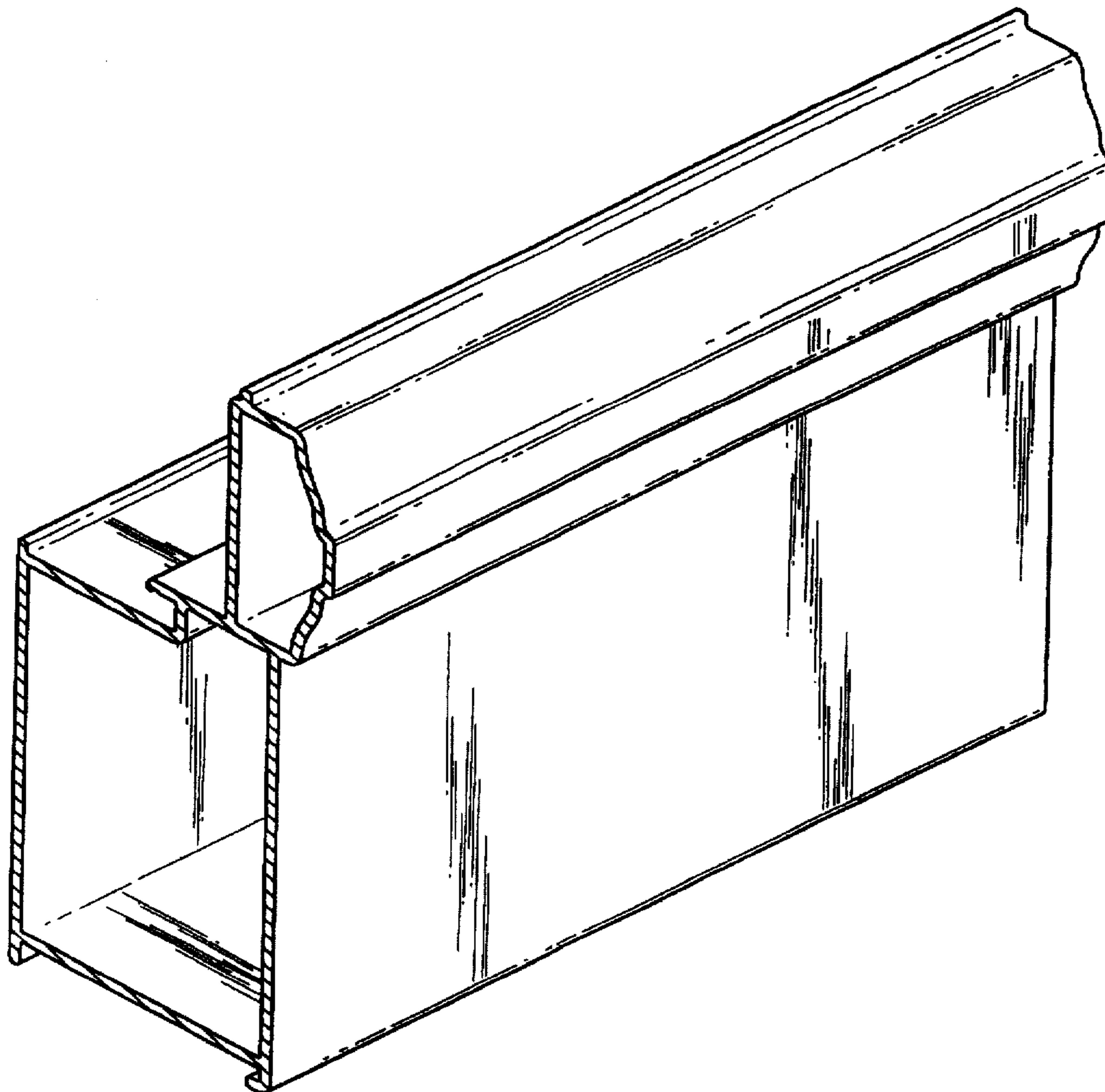
FIG. 4 is a fragmentary back elevation view of the door frame extrusion in FIG. 1;

FIG. 5 is a fragmentary top view of the door frame extrusion in FIG. 1; and,

FIG. 6 is a fragmentary view of the bottom of the door frame extrusion in FIG. 1.

The door frame extrusion has been broken on the end as an indication of indeterminate length.

1 Claim, 3 Drawing Sheets



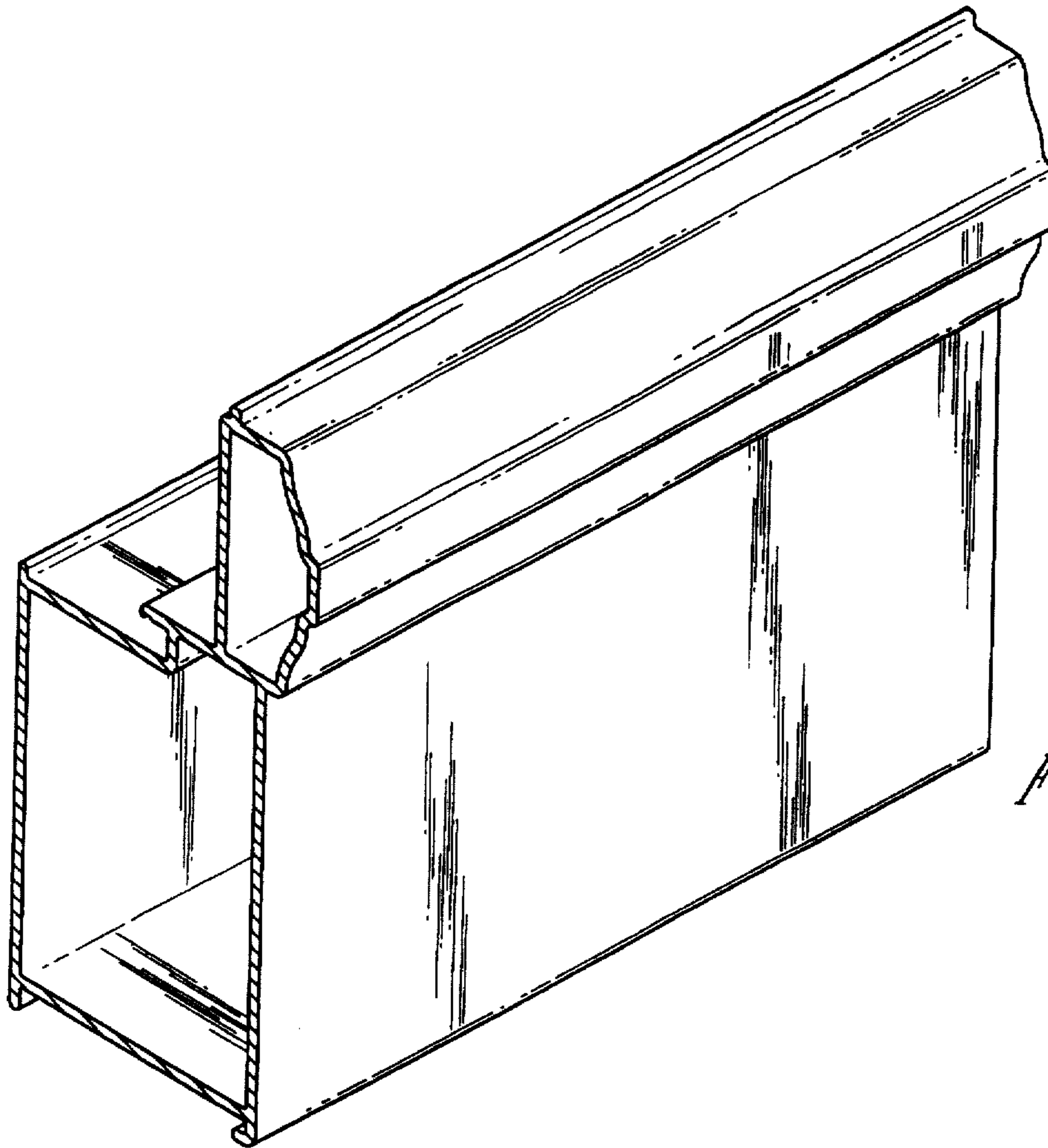


Fig. 1

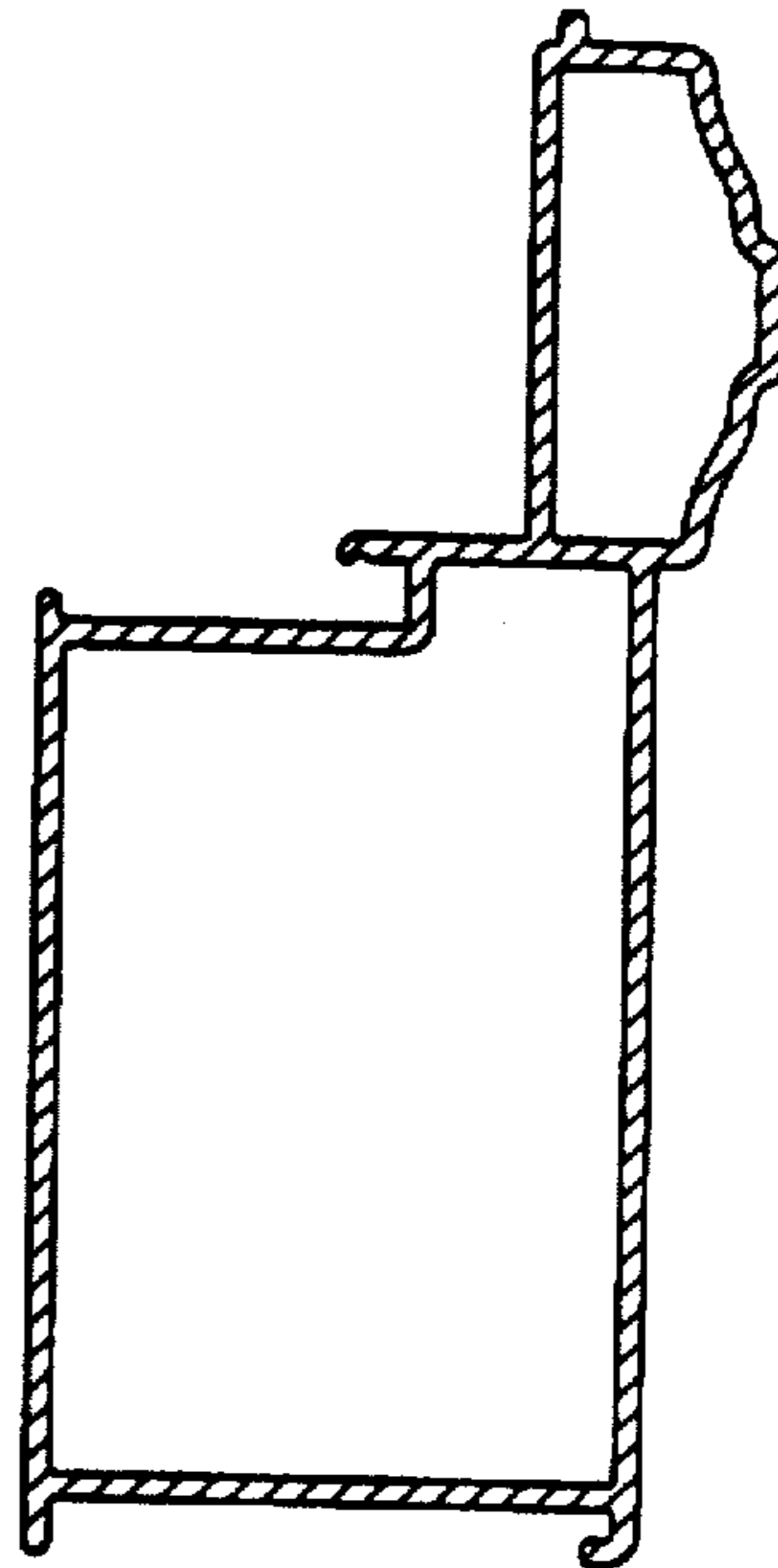


Fig. 2

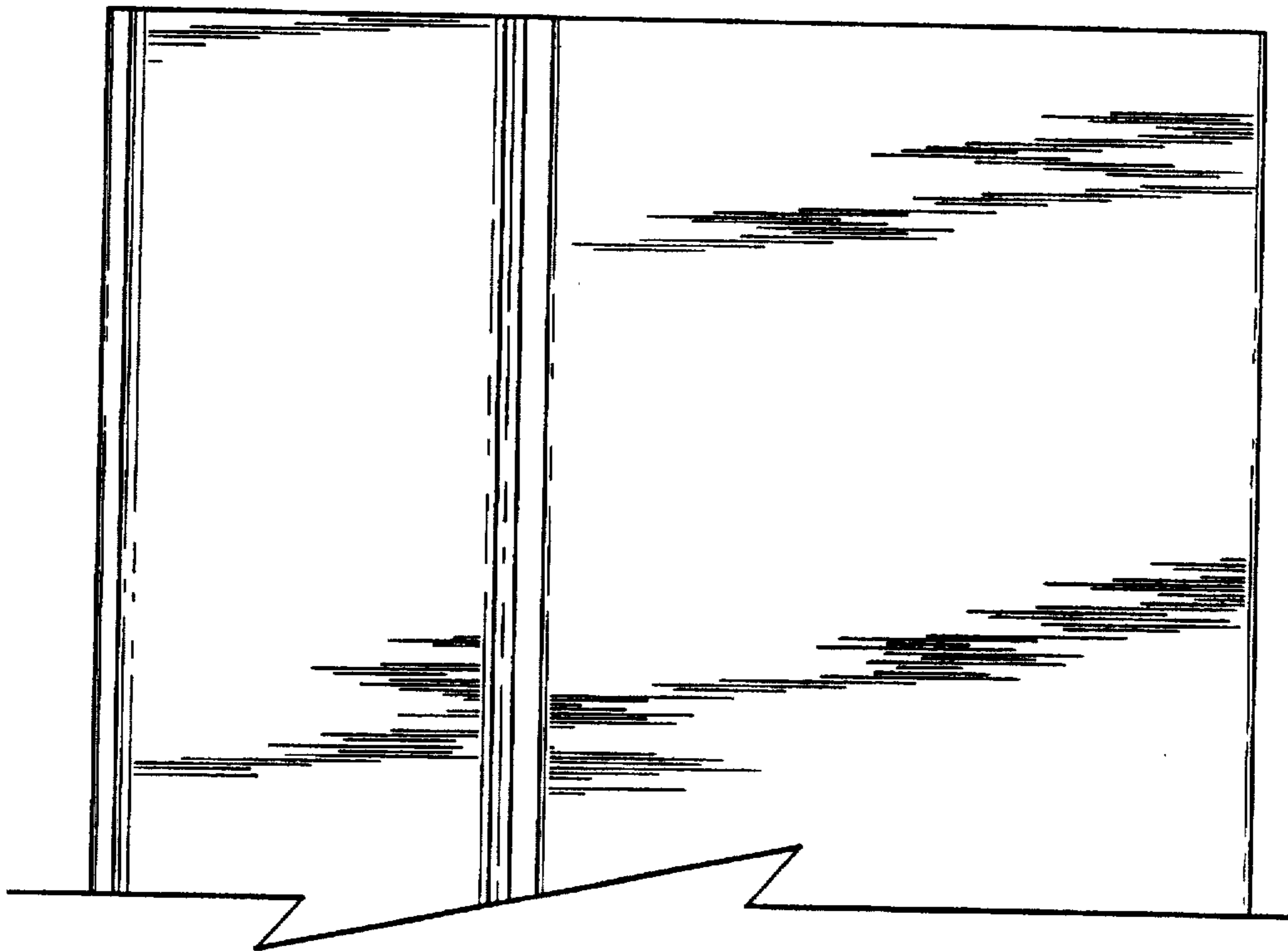


Fig. 4

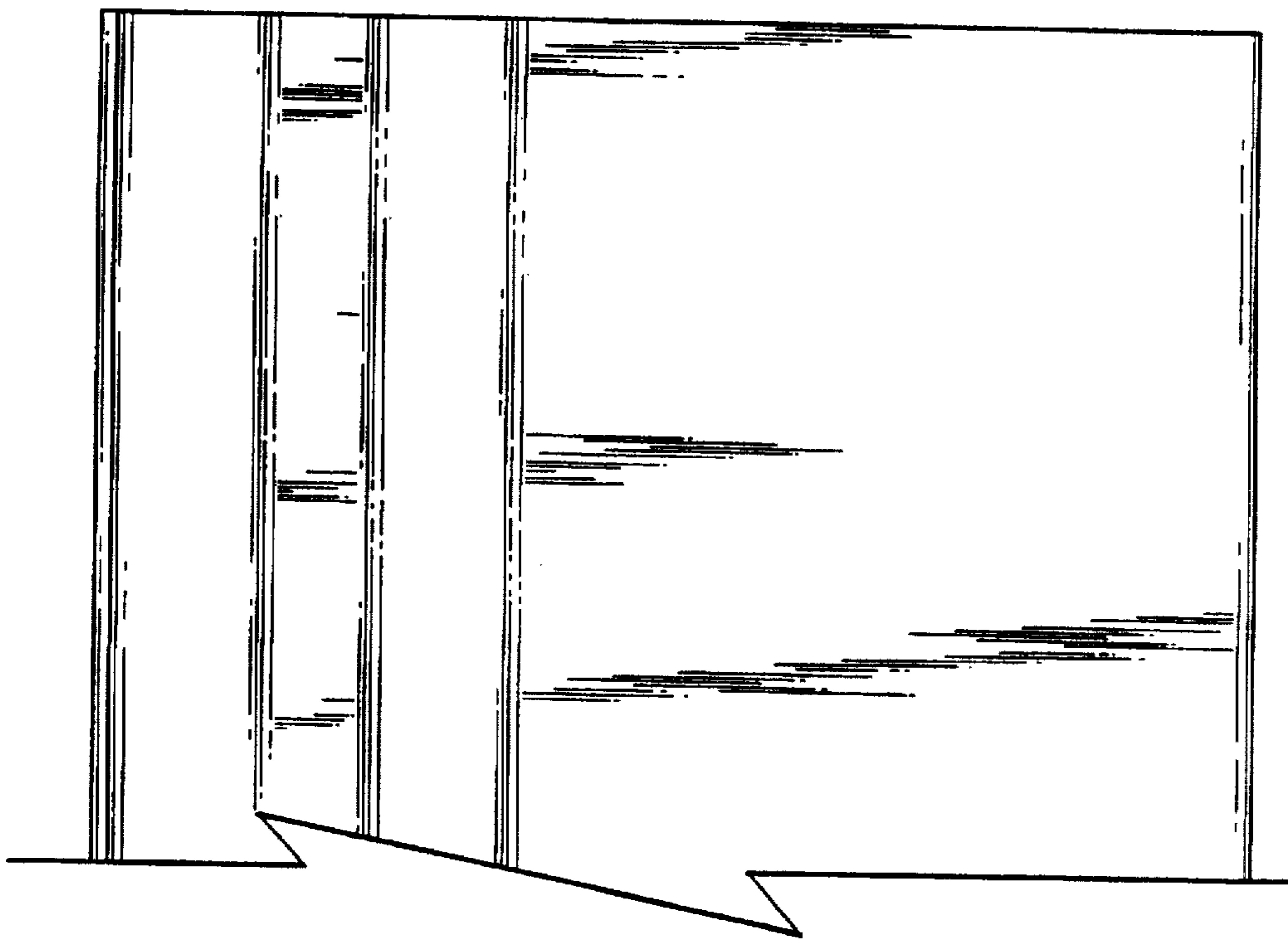


Fig. 3

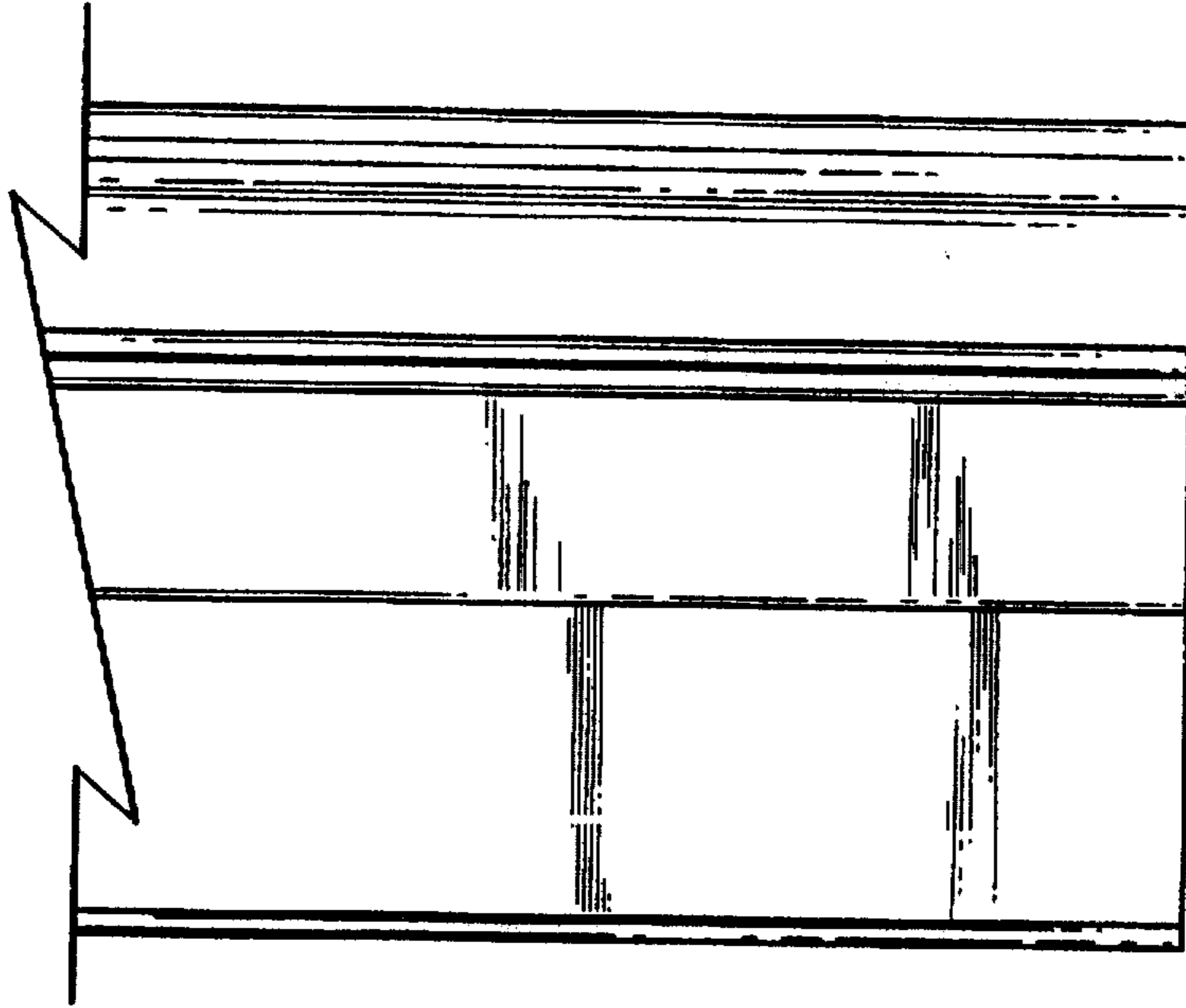


Fig. 5

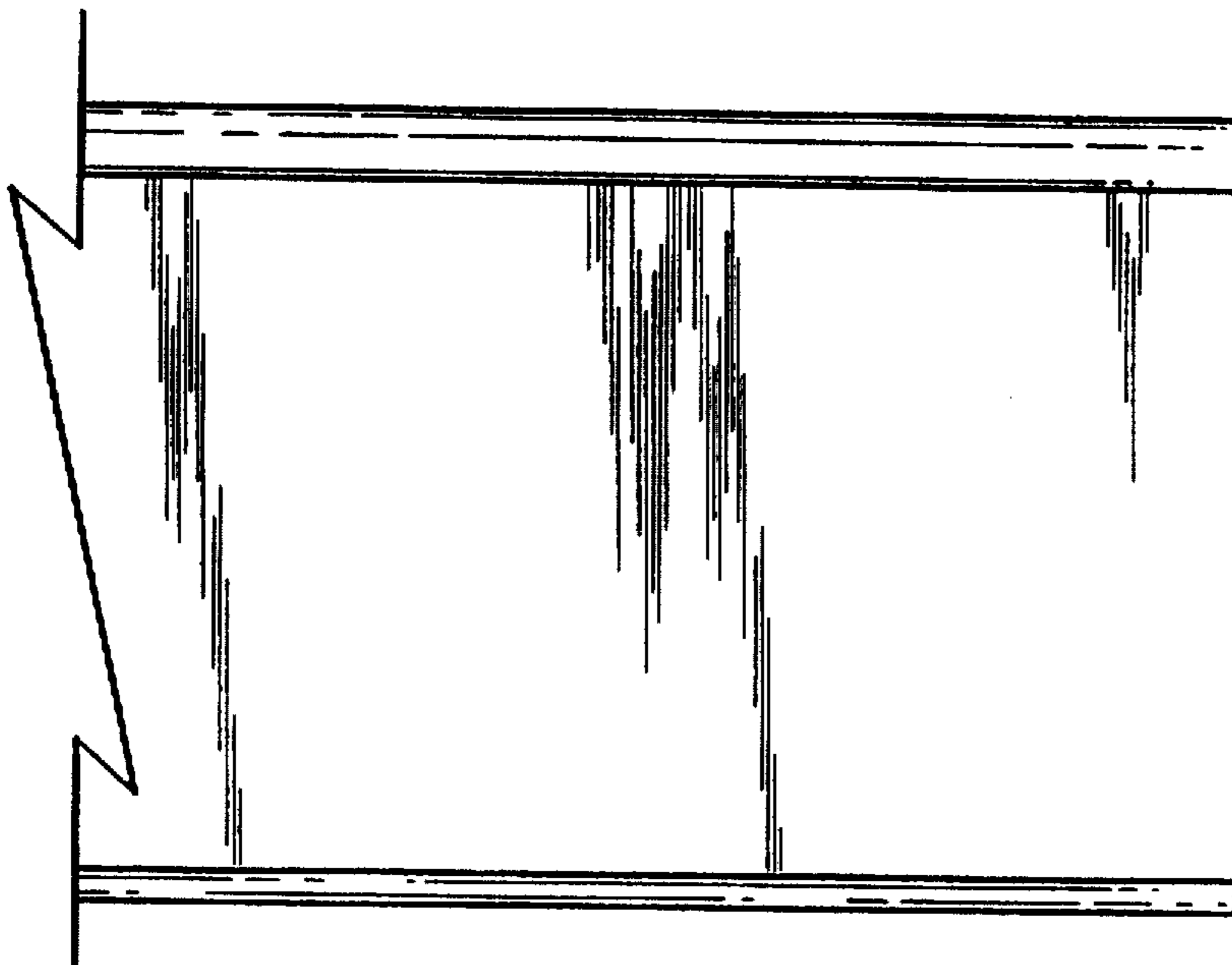


Fig. 6