

US00D393907S

United States Patent [19]
Current

[11] **Patent Number:** **Des. 393,907**
[45] **Date of Patent:** ****Apr. 28, 1998**

[54] **EXTRUDED SLATWALL SECTION**
[75] **Inventor:** **Wayne A. Current, Holmdel, N.J.**
[73] **Assignee:** **International Visual Corporation, Port Washington, N.Y.**
[**] **Term:** **14 Years**
[21] **Appl. No.:** **71,049**
[22] **Filed:** **May 16, 1997**
[51] **LOC (6) Cl.** **25-01**
[52] **U.S. Cl.** **D25/122; D25/123**
[58] **Field of Search** **D25/138, 58, 123, D25/125, 122; 211/94.01, 162, 189, 186; D6/449, 457, 471, 466, 467, 332, 511, 509**

4,591,058 5/1986 Amstotz et al. 211/94.01
4,607,753 8/1986 Radek 211/94.01
4,615,448 10/1986 Johnstonbaugh D25/138
4,805,783 2/1989 Mayer 211/94.01

Primary Examiner—Doris Clark
Attorney, Agent, or Firm—Collard & Roe, P.C.

[57] **CLAIM**

The ornamental design for an extruded slatwall section, as shown and described.

DESCRIPTION

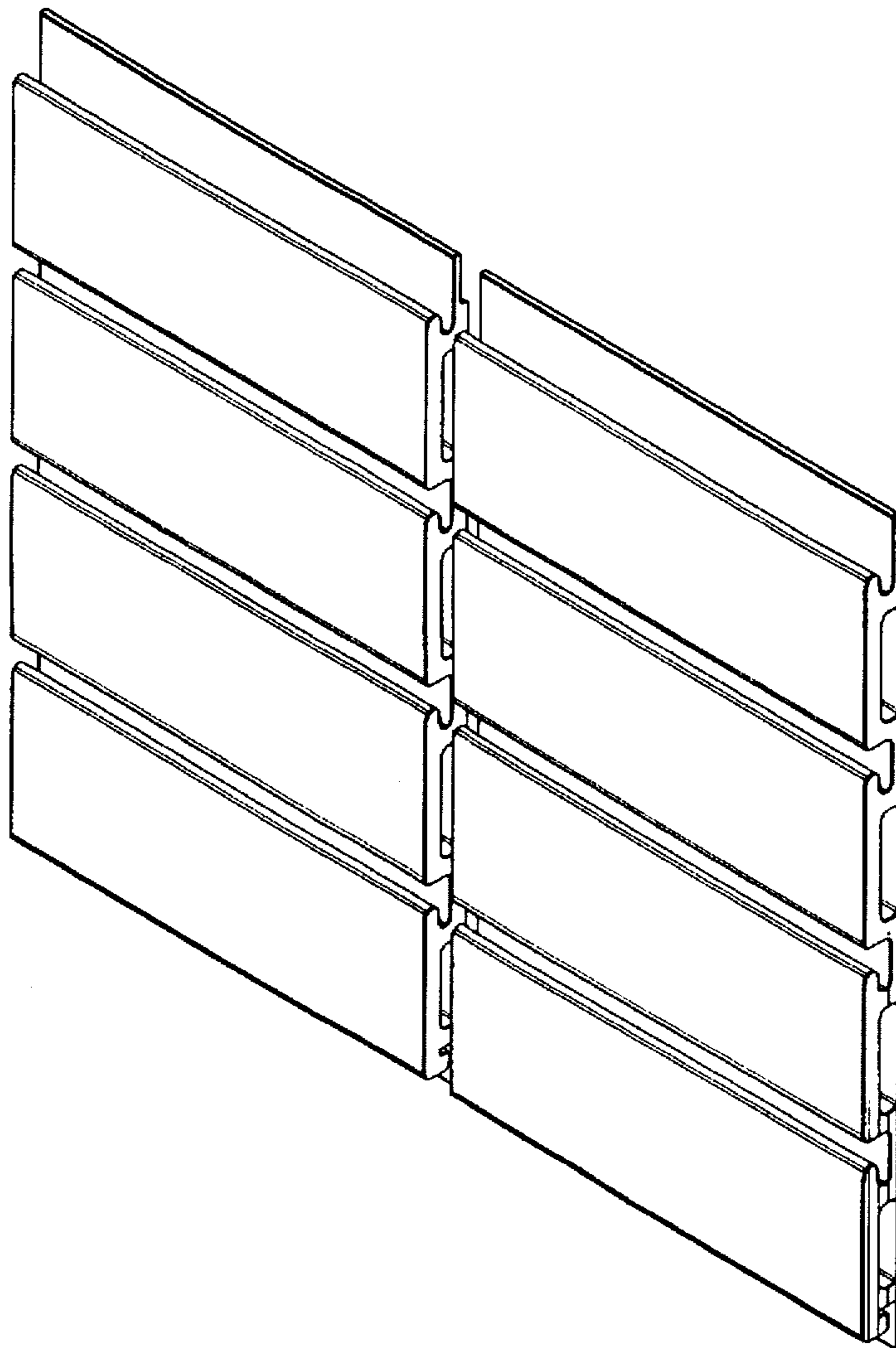
FIG. 1 is a front perspective view of an extruded slatwall section showing my new design;
FIG. 2 is a rear perspective view thereof;
FIG. 3 is a front view thereof;
FIG. 4 is a right side view thereof;
FIG. 5 is a back view thereof;
FIG. 6 is a left side view thereof;
FIG. 7 is a top plan view thereof; and,
FIG. 8 is a bottom plan view thereof.

[56] **References Cited**

U.S. PATENT DOCUMENTS

D. 307,260 4/1990 Happy et al. D25/138

1 Claim, 2 Drawing Sheets



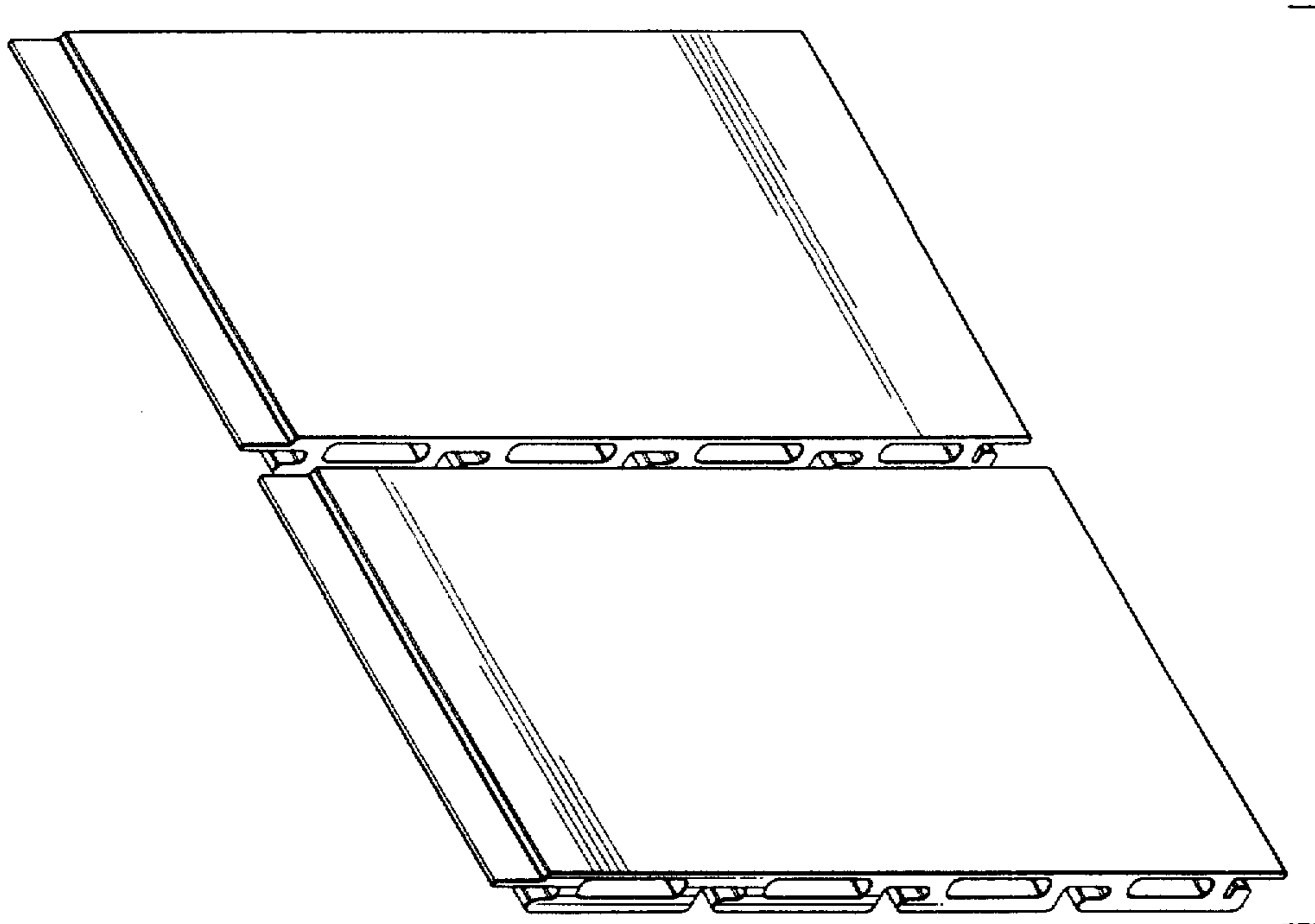


Fig. 2

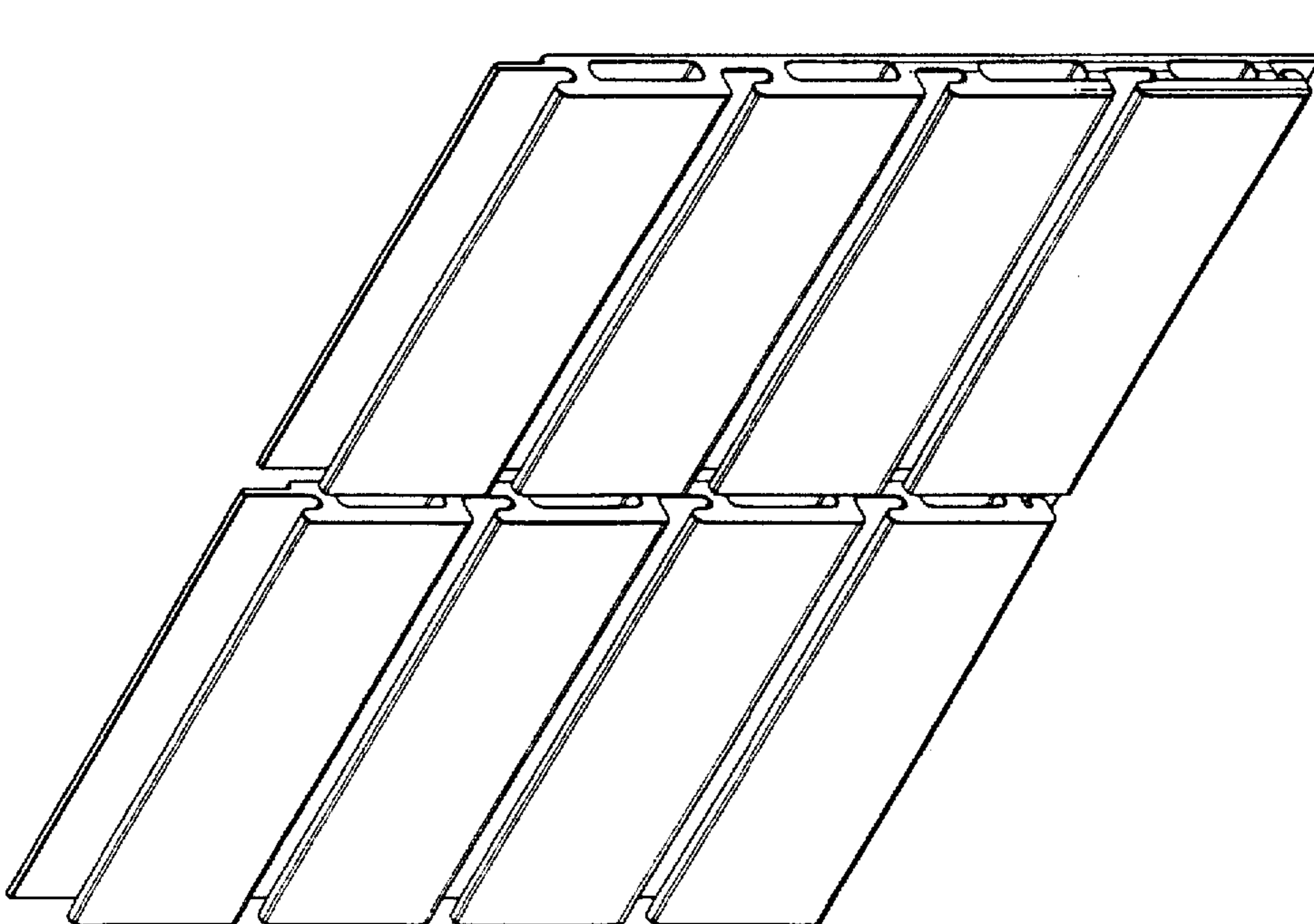


Fig. 1



Fig. 6

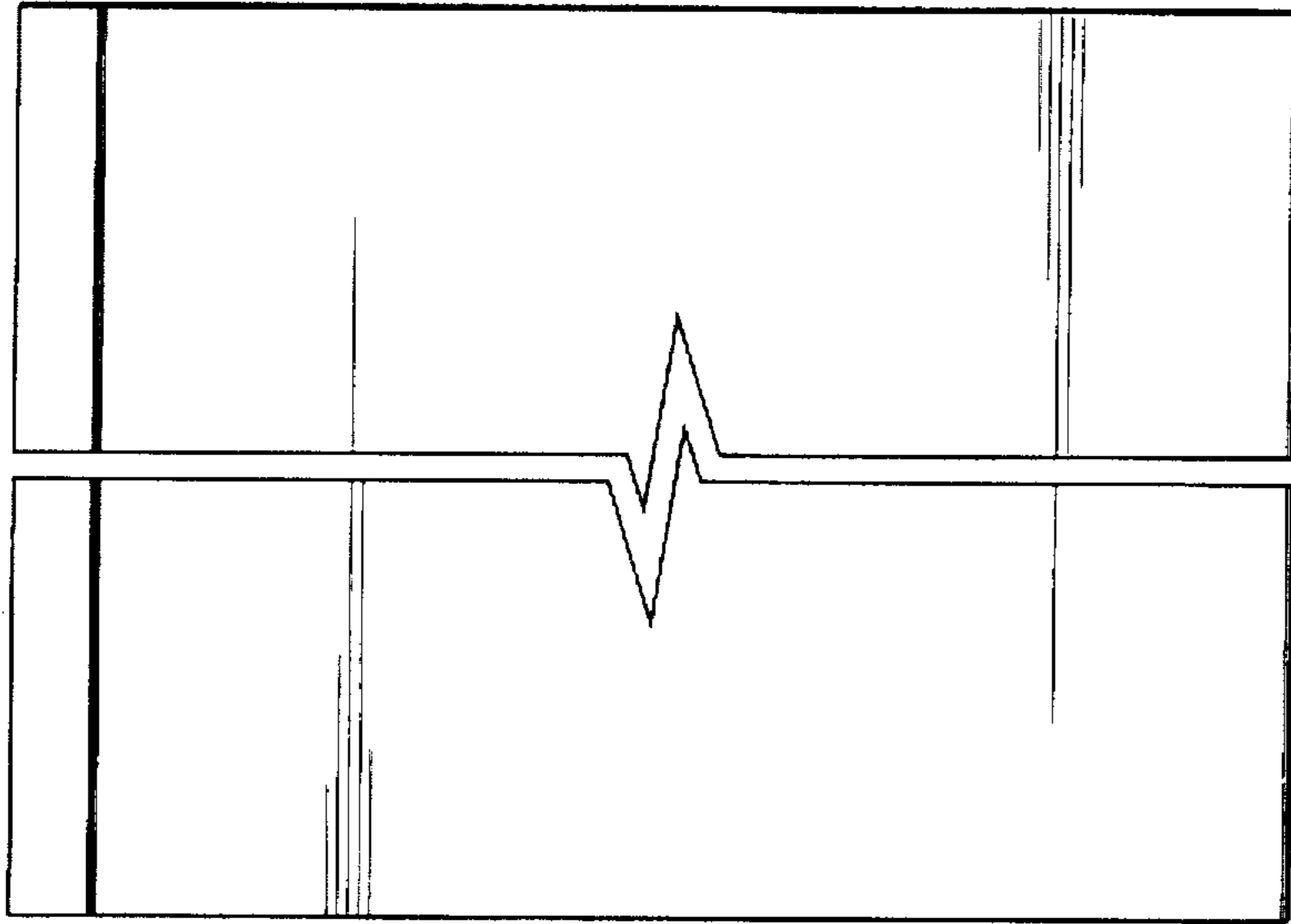


Fig. 5



Fig. 4

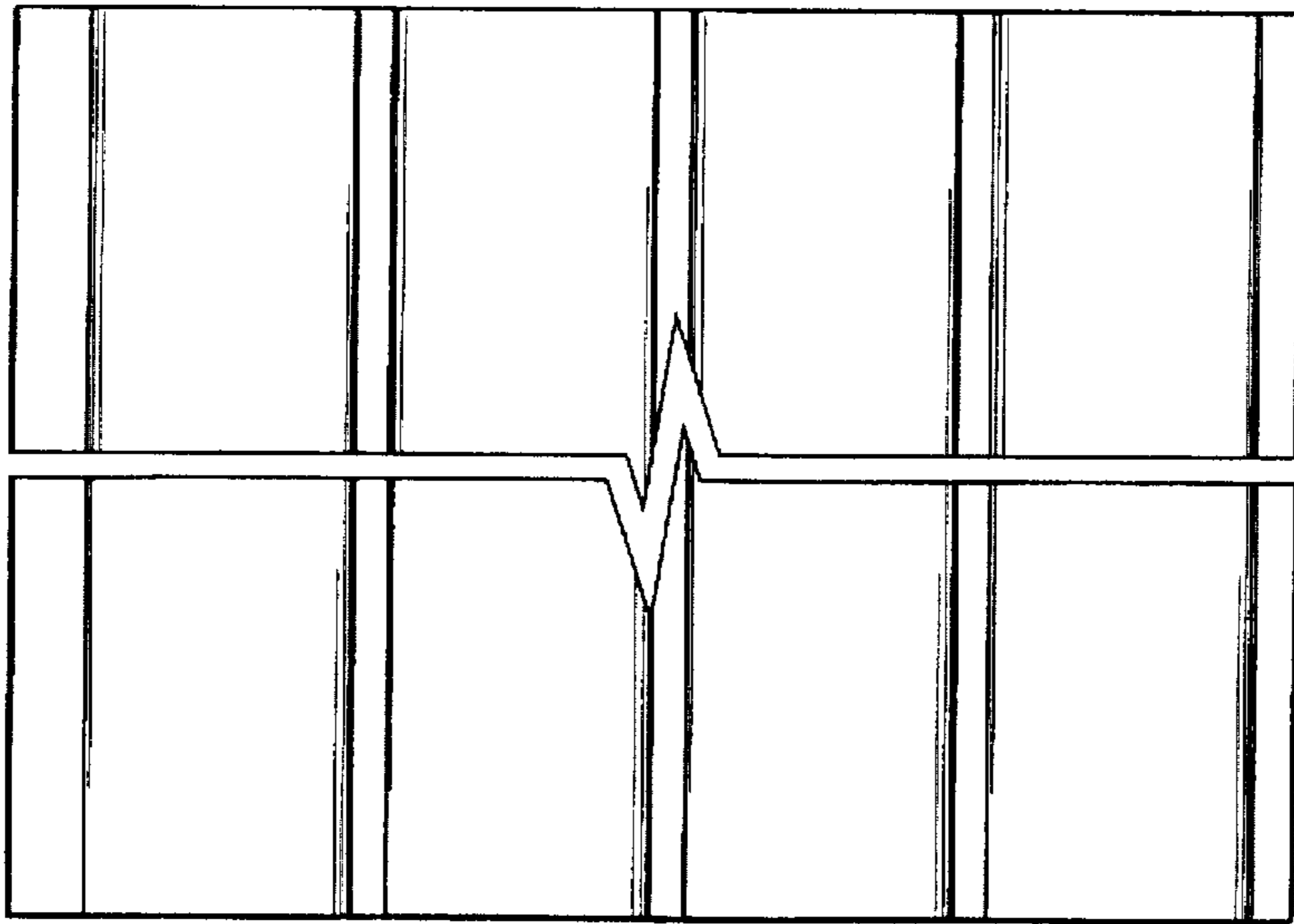


Fig. 3



Fig. 8



Fig. 7