



US00D393906S

United States Patent [19]
Sumerlin

[11] **Patent Number: Des. 393,906**

[45] **Date of Patent: **Apr. 28, 1998**

[54] **CONSTRUCTION BLOCK FACES**

[76] **Inventor: Lawrence W. Sumerlin, 3852 Woodglen Blvd., Thornton, Colo. 80233**

[**] **Term: 14 Years**

[21] **Appl. No.: 67,583**

[22] **Filed: Mar. 7, 1997**

[51] **LOC (6) Cl. 25-01**

[52] **U.S. Cl. D25/114**

[58] **Field of Search D25/113-115, D25/118; 52/596, 605, 608, 311.1, 314; 405/284, 286**

[56] **References Cited**

U.S. PATENT DOCUMENTS

4,016,693	4/1977	Warren	D25/114
4,671,039	6/1987	Hunt	D25/114
4,738,059	4/1988	Dean, Jr.	52/561
4,920,712	5/1990	Dean, Jr.	
5,044,834	9/1991	Janopaul, Jr.	
5,161,918	11/1992	Hodel	

FOREIGN PATENT DOCUMENTS

1188116 6/1985 Canada .

OTHER PUBLICATIONS

Miller's Concrete Masonry Units, Author, Publication Date and Source unknown.

Primary Examiner—B. J. Bullock

[57] **CLAIM**

The ornamental design for construction block faces (front and rear), as shown and described.

DESCRIPTION

FIG. 1 is a perspective view of the construction block faces of this invention, the portions of the block being shown in broken lines are for illustrative purposes only and form no part of the claimed design;

FIG. 2 is a front elevation view of the front block face of this invention;

FIG. 3 is a side elevation of this invention;

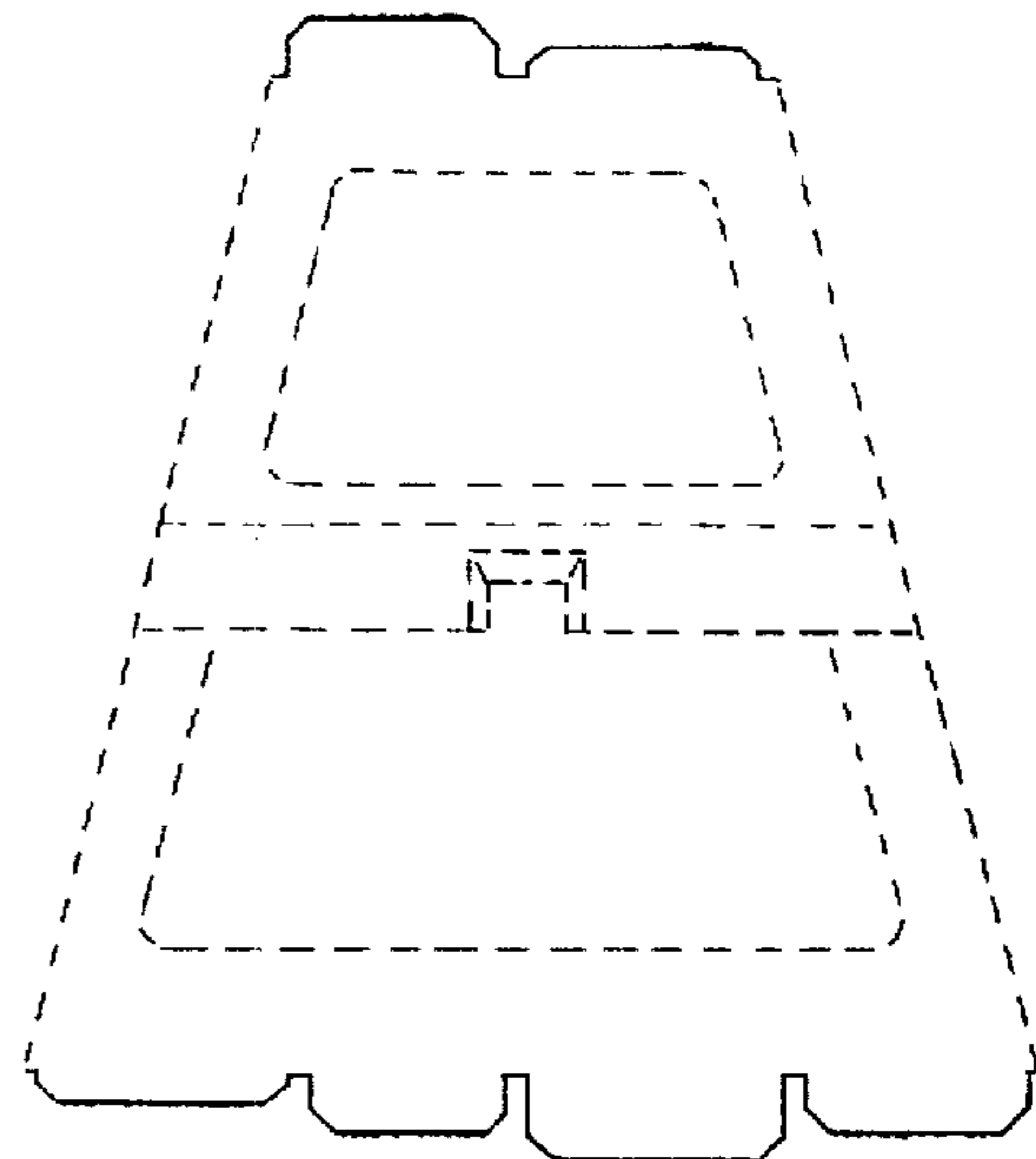
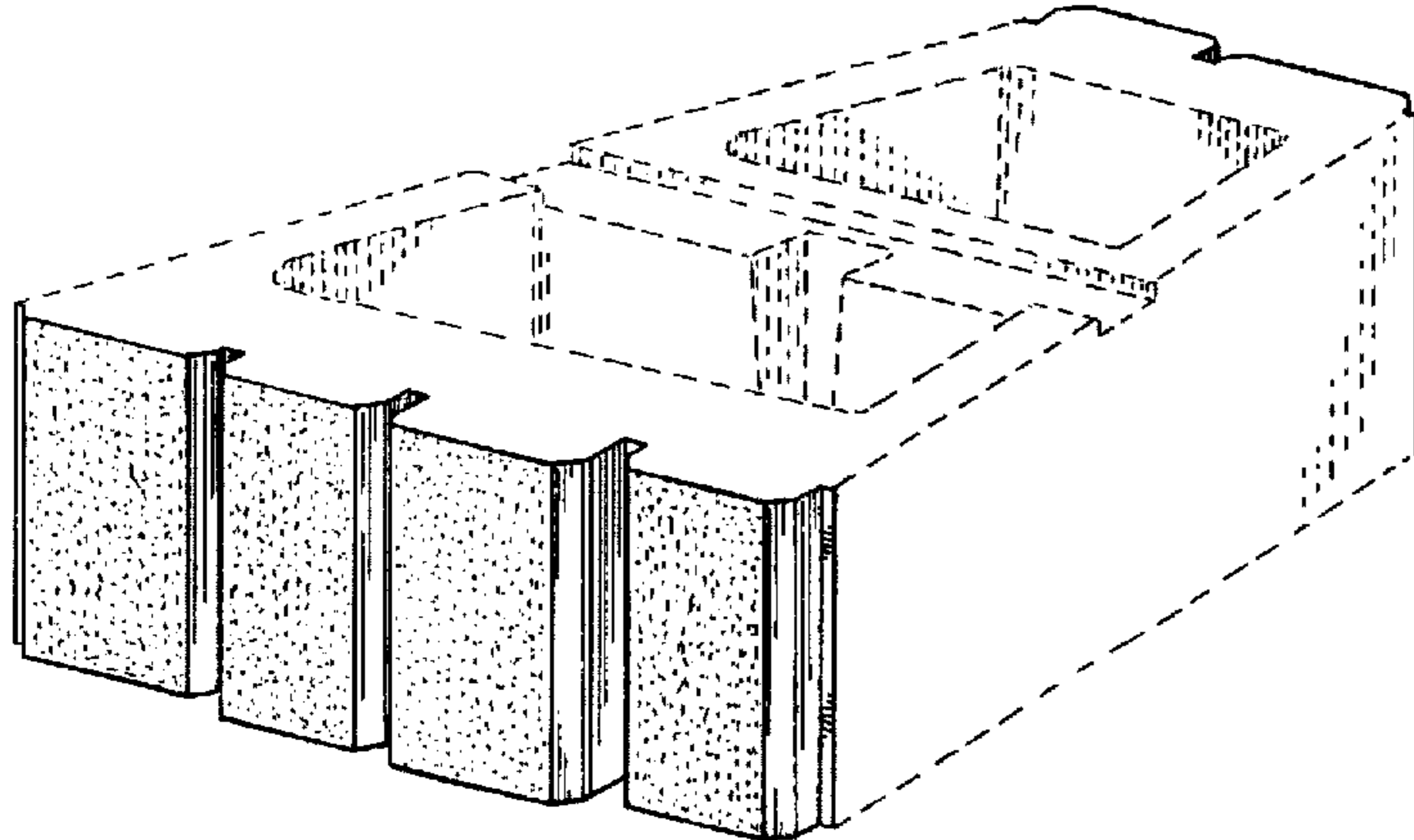
FIG. 4 is a side elevation from the opposite of this invention;

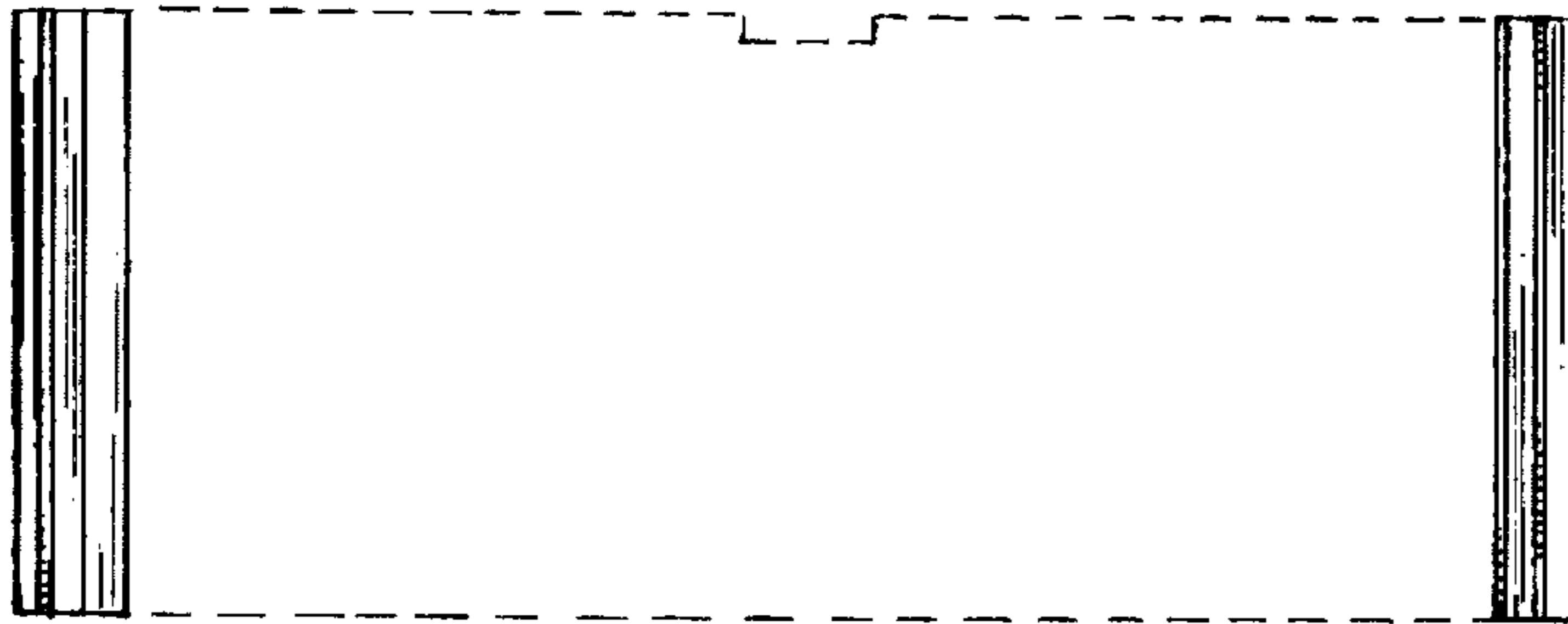
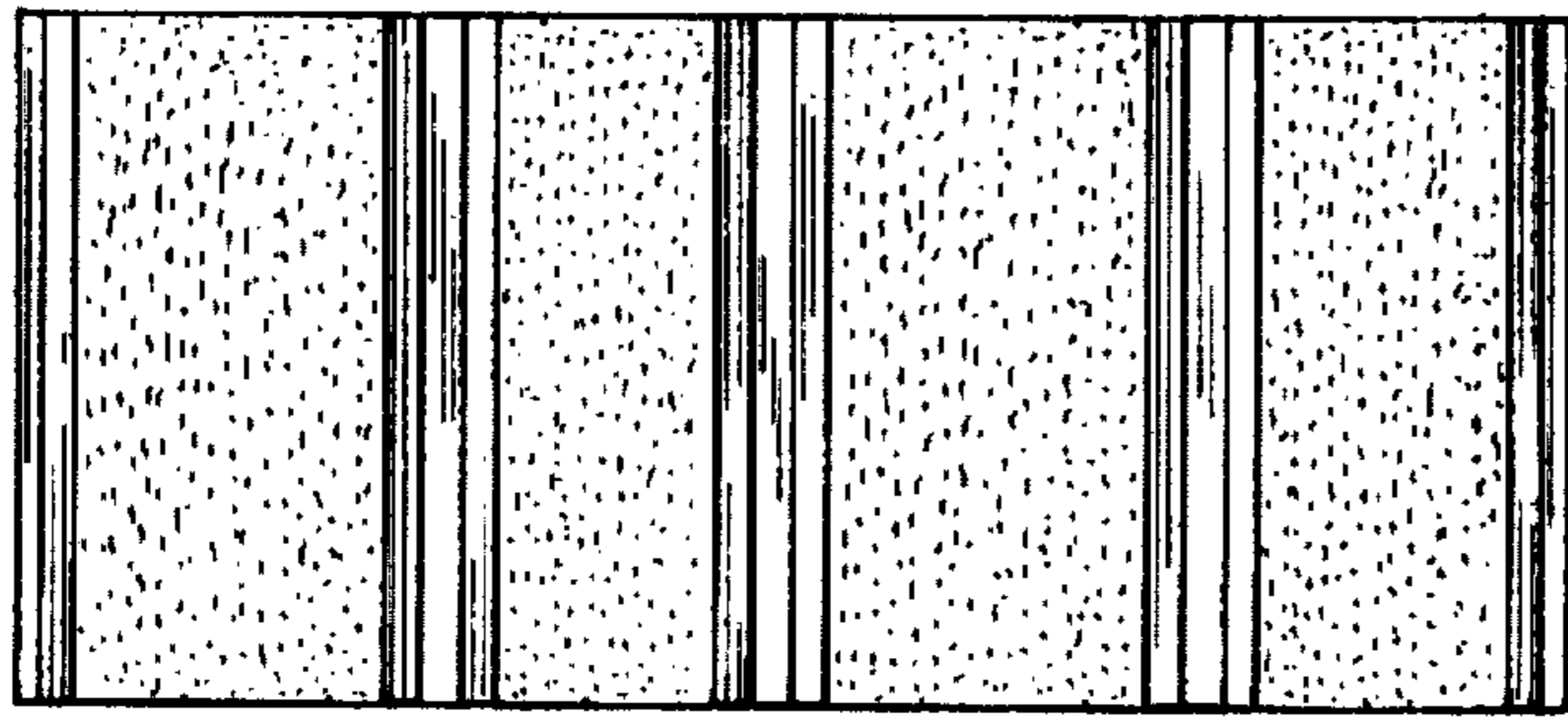
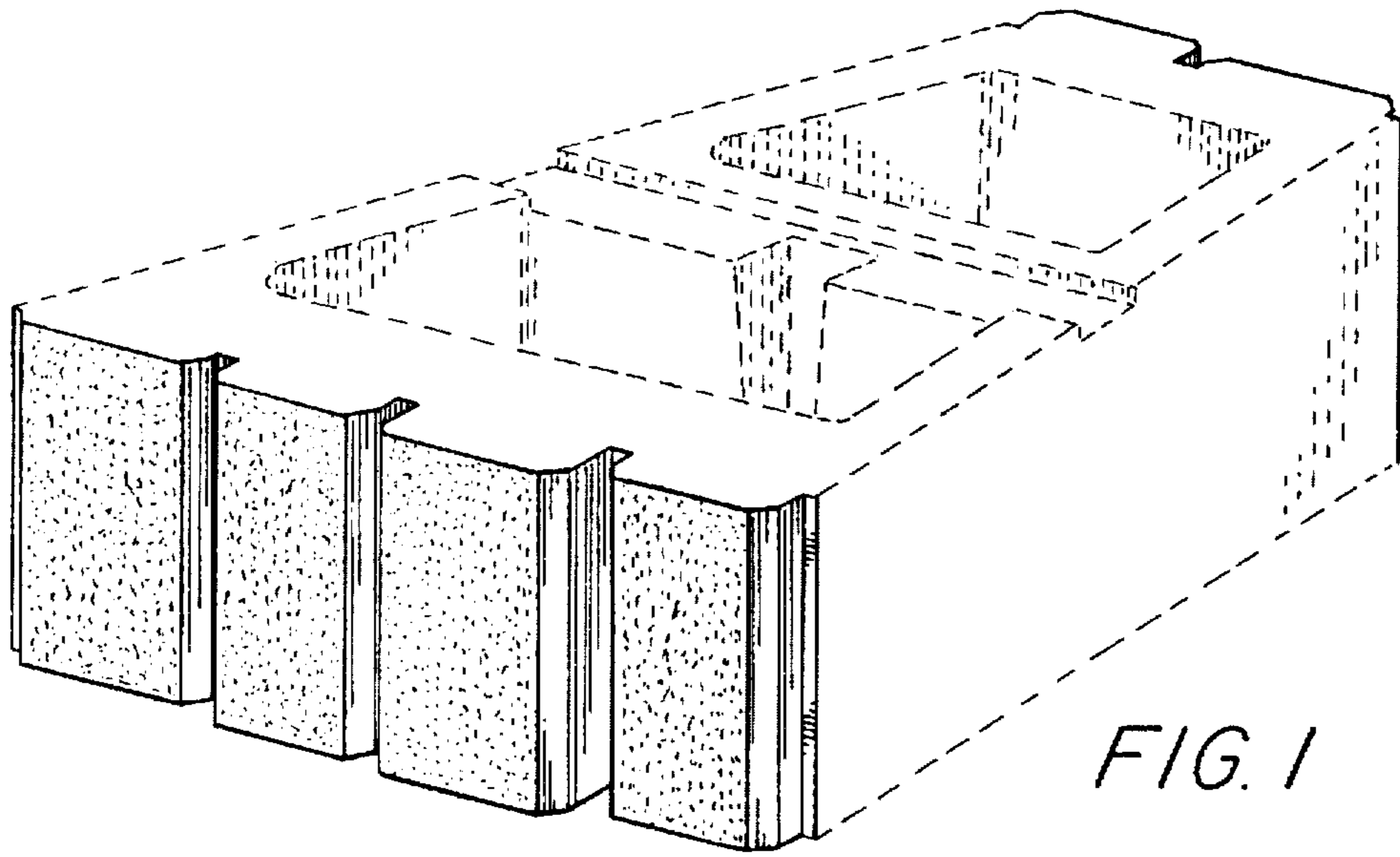
FIG. 5 is a top plan view of this invention;

FIG. 6 is a bottom plan view of this invention; and,

FIG. 7 is a rear elevation view of the rear block face of this invention.

1 Claim, 2 Drawing Sheets





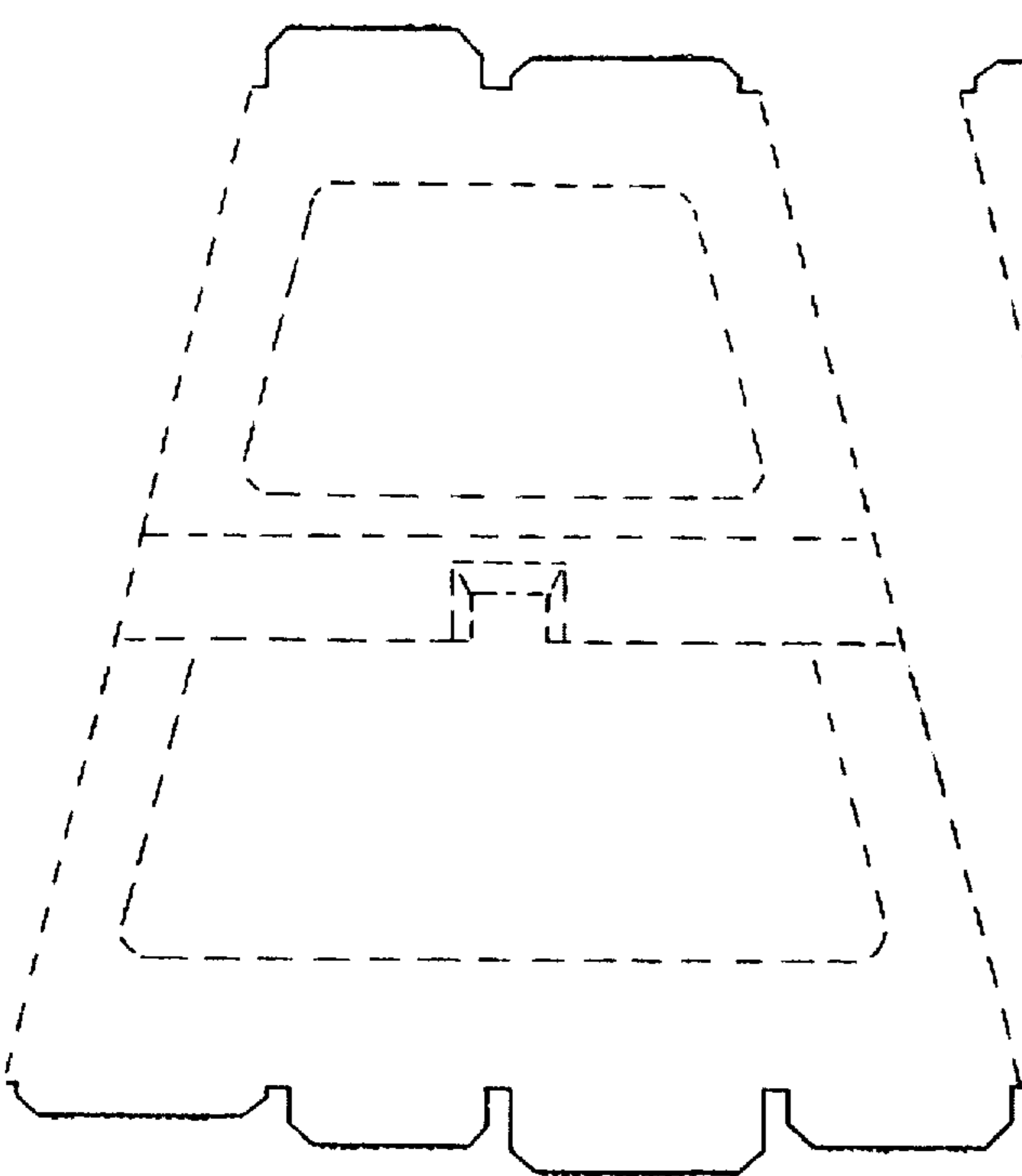


FIG. 5

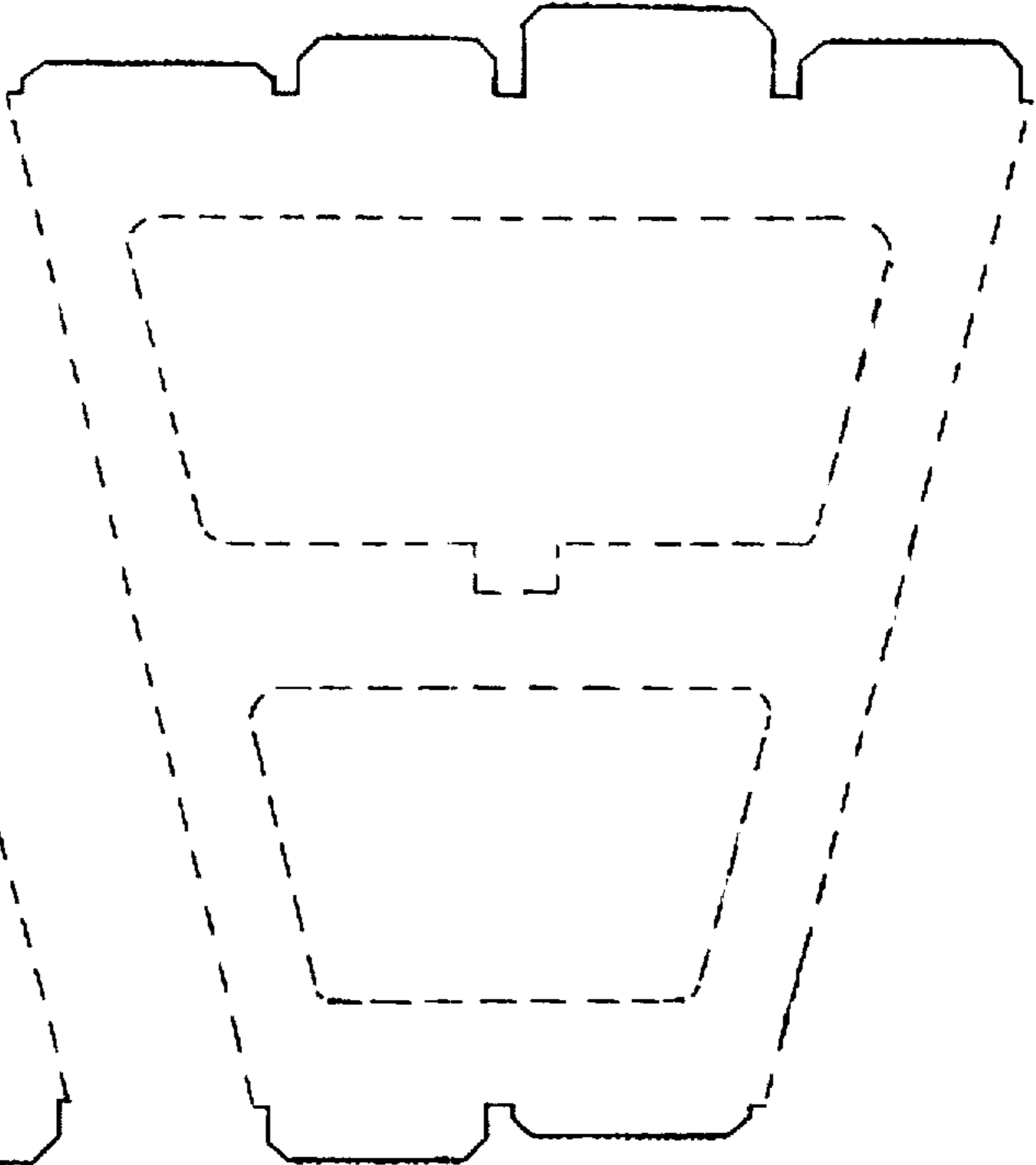


FIG. 6

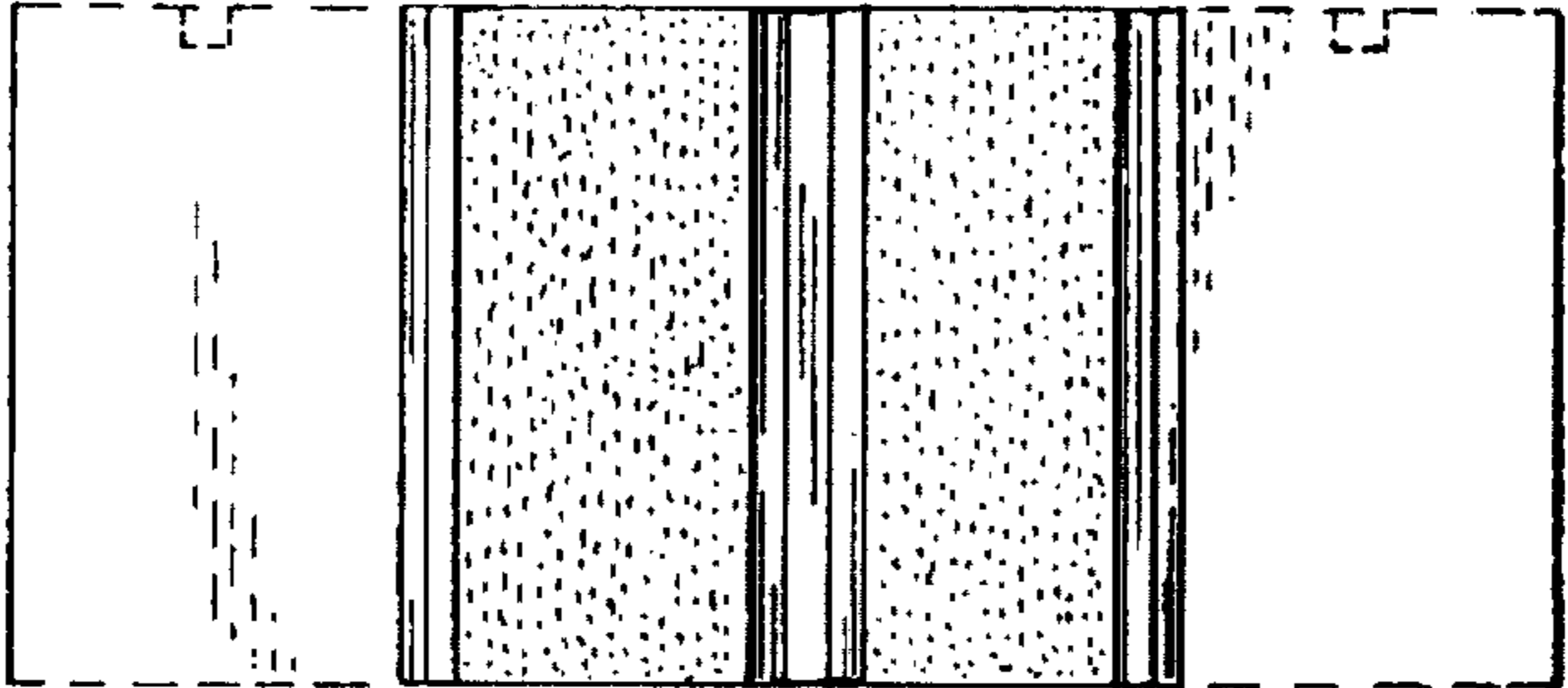


FIG. 7