



US00D393902S

**United States Patent** [19]  
**Pickett**

[11] **Patent Number: Des. 393,902**

[45] **Date of Patent: \*\*Apr. 28, 1998**

[54] **COMBINED CEILING FAN AND LIGHT FIXTURE**

D. 346,439 4/1994 Liu ..... D23/377  
D. 357,978 5/1995 Young ..... D23/377

[75] **Inventor: Mark Pickett, Rancho Palos Verdes, Calif.**

*Primary Examiner*—Lisa Lichtenstein  
*Attorney, Agent, or Firm*—Jenkins & Gilchrist, P.C.

[73] **Assignee: Minka Lighting Inc., Corona, Calif.**

[57] **CLAIM**

[\*\*] **Term: 14 Years**

The ornamental design for a combined ceiling fan and light fixture, as shown and described.

[21] **Appl. No.: 61,624**

**DESCRIPTION**

[22] **Filed: Oct. 28, 1996**

FIG. 1 is a front perspective view of a combined ceiling fan and light fixture incorporating my ornamental design; FIG. 2 is a view of a representative side of the combined ceiling fan and light fixture of FIG. 1; FIG. 3 is an enlarged bottom view of the combined ceiling fan and light fixture of FIG. 1; and, FIG. 4 is an enlarged top view of the combined ceiling fan and light fixture of FIG. 1. The fan blades have been shown broken-away in FIGS. 3 and 4 for ease of illustration.

[51] **LOC (6) Cl. .... 23-04**

[52] **U.S. Cl. .... D23/377; D23/379; D23/385**

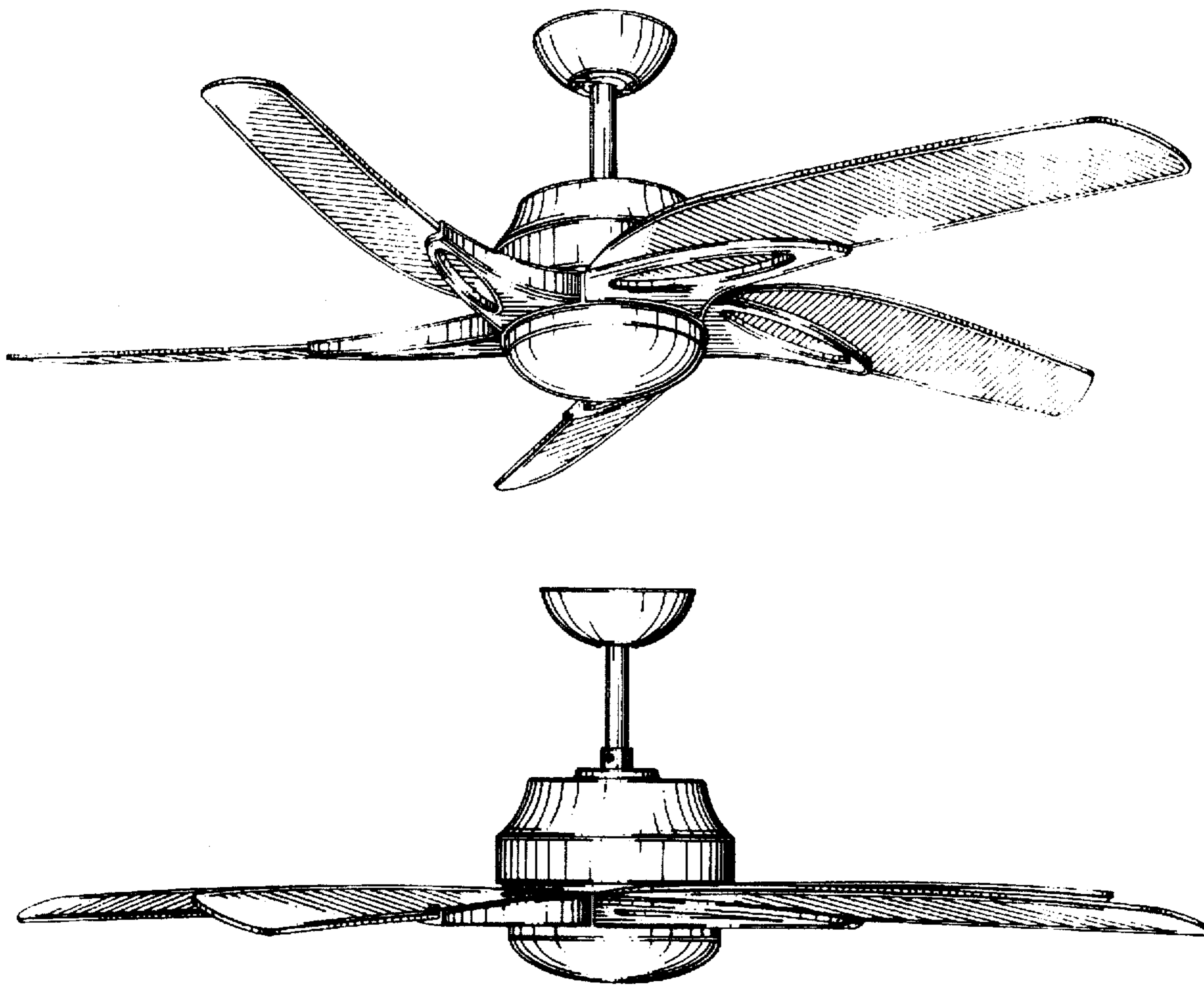
[58] **Field of Search .... D23/377, 379, D23/385, 411, 413; 416/5; 392/364; 362/96; D26/81-86, 88, 59, 72, 51**

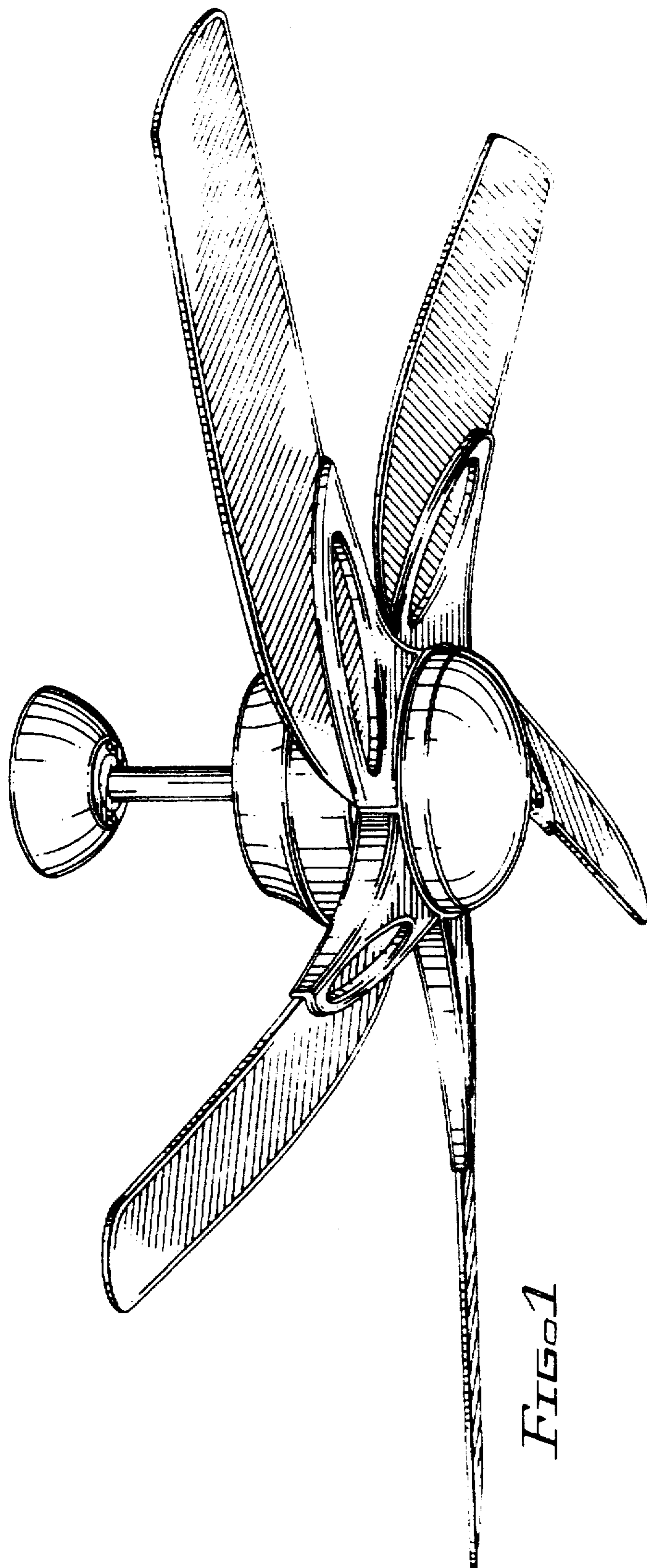
[56] **References Cited**

**U.S. PATENT DOCUMENTS**

D. 328,638 8/1992 Hsieh ..... D23/377

**1 Claim, 4 Drawing Sheets**





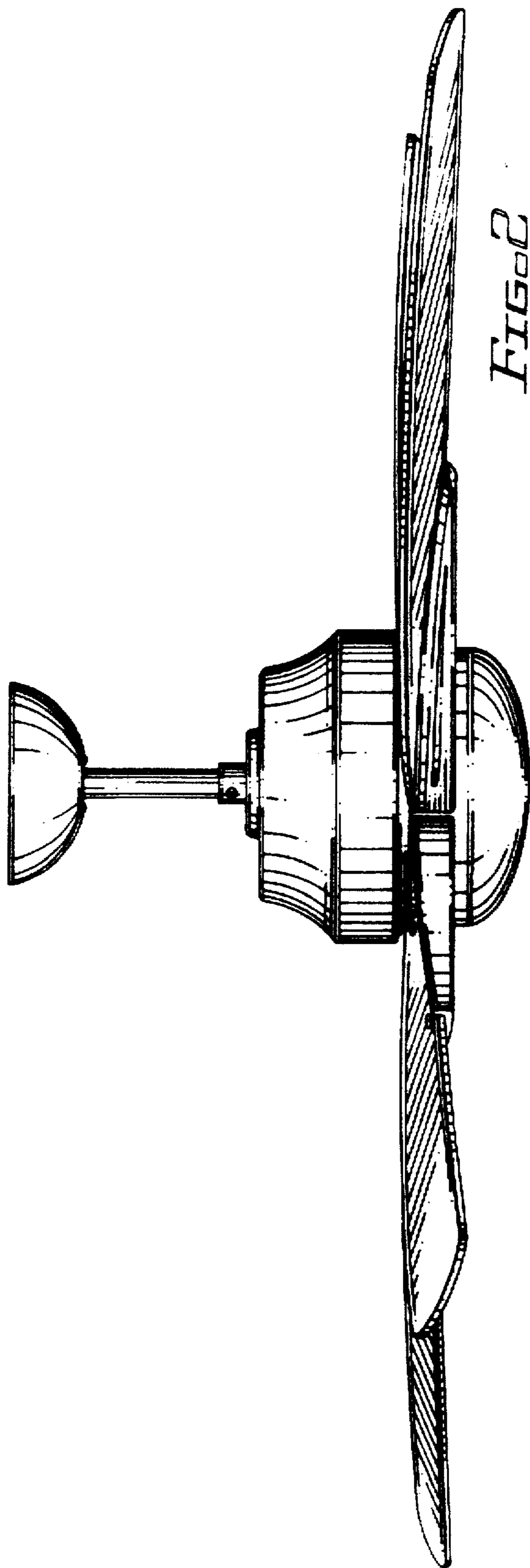


FIG. 2



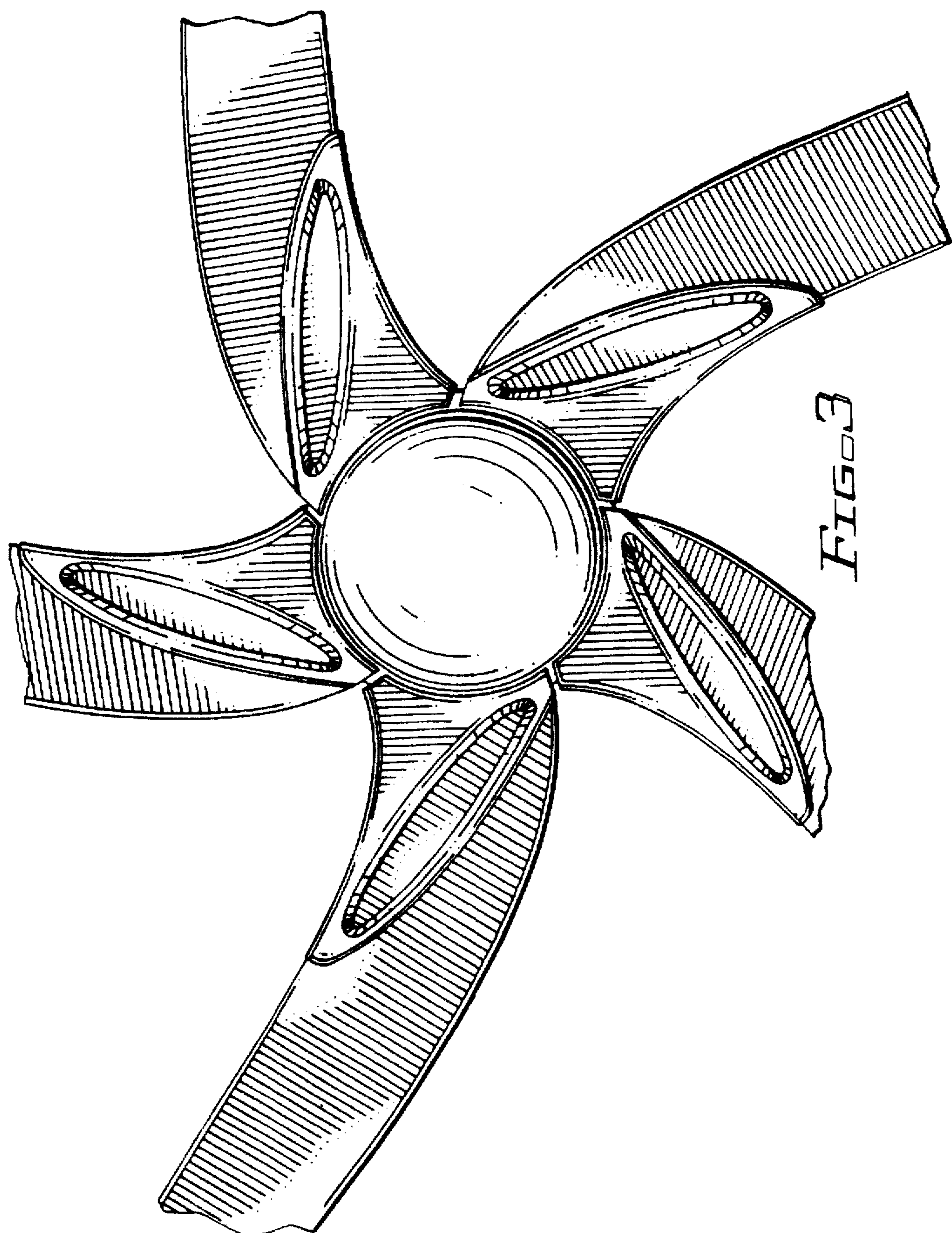
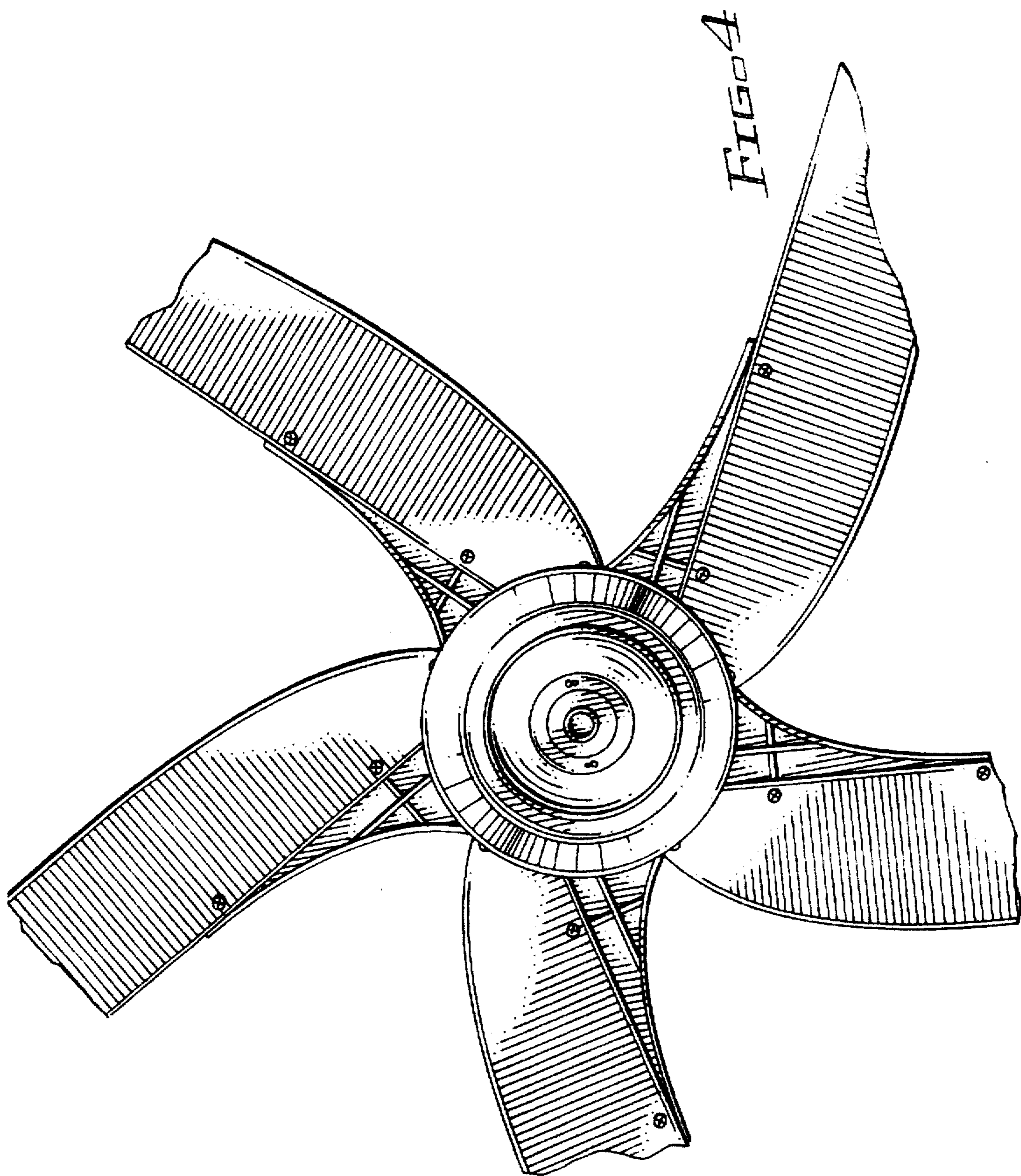


FIG. 3



**Disclaimer**

D. 393,902 — Mark Pickett, Rancho Palos Verdes, CA. COMBINED CEILING FAN AND LIGHT FIXTURE. Patent dated April 28, 1998. Disclaimer filed February 23, 2000, by the assignee, Minka Lighting Inc.

Hereby enters this disclaimer to all claims of said patent.  
(*Official Gazette*, April 18, 2000)