



US00D393899S

United States Patent [19] Berring

[11] Patent Number: Des. 393,899

[45] Date of Patent: **Apr. 28, 1998

[54] SANITARY TOILET SEAT APPARATUS

4,031,575 6/1977 Laudsberger 4/237

[76] Inventor: Jeffrey J. Berring, 635 Stonequarry Rd., Dayton, Ohio 45414

Primary Examiner—Louis S. Zarfes
Assistant Examiner—Eric Watterson

[**] Term: 14 Years

[57] CLAIM

[21] Appl. No.: 67,232

The ornamental design for a sanitary toilet seat apparatus, as shown.

[22] Filed: Feb. 28, 1997

DESCRIPTION

[51] LOC (6) Cl. 23-02

[52] U.S. Cl. D23/311

[58] Field of Search D23/295, 298,
D23/299, 300, 301; 4/353, 350, 421, 424,
428, 430, 449, 483, DIG. 2, DIG. 12, 612,
604, 605; D8/315

FIG. 1 is a front plan view of the sanitary toilet seat apparatus of the present invention;

FIG. 2 is a rear plan view of the sanitary toilet seat apparatus of FIG. 1;

FIG. 3 is a right side plan view of the sanitary toilet seat apparatus of FIG. 1;

FIG. 4 is a left side plan view of the sanitary toilet seat apparatus of FIG. 1;

FIG. 5 is a top plan view of the sanitary toilet seat apparatus of FIG. 1; and,

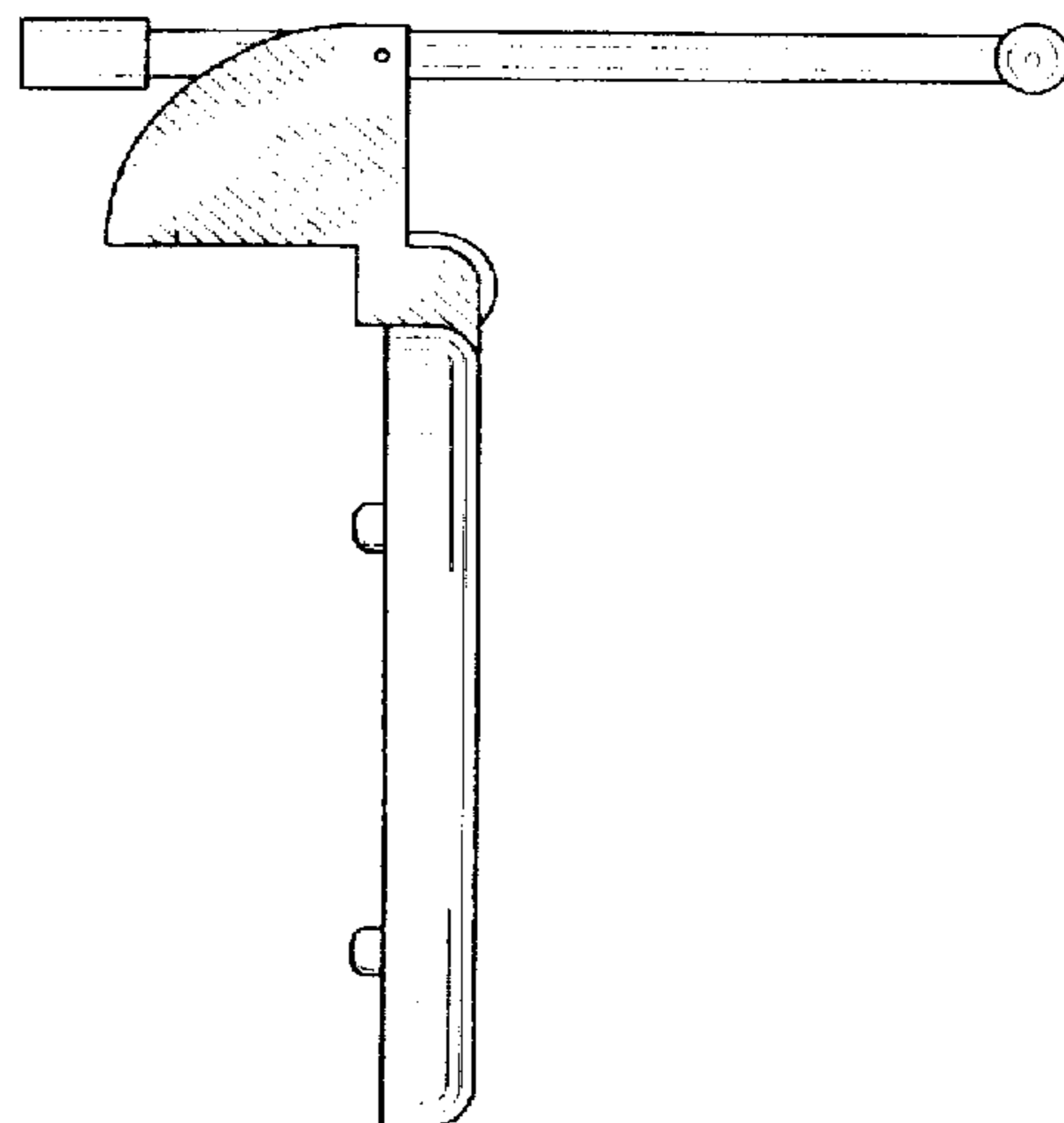
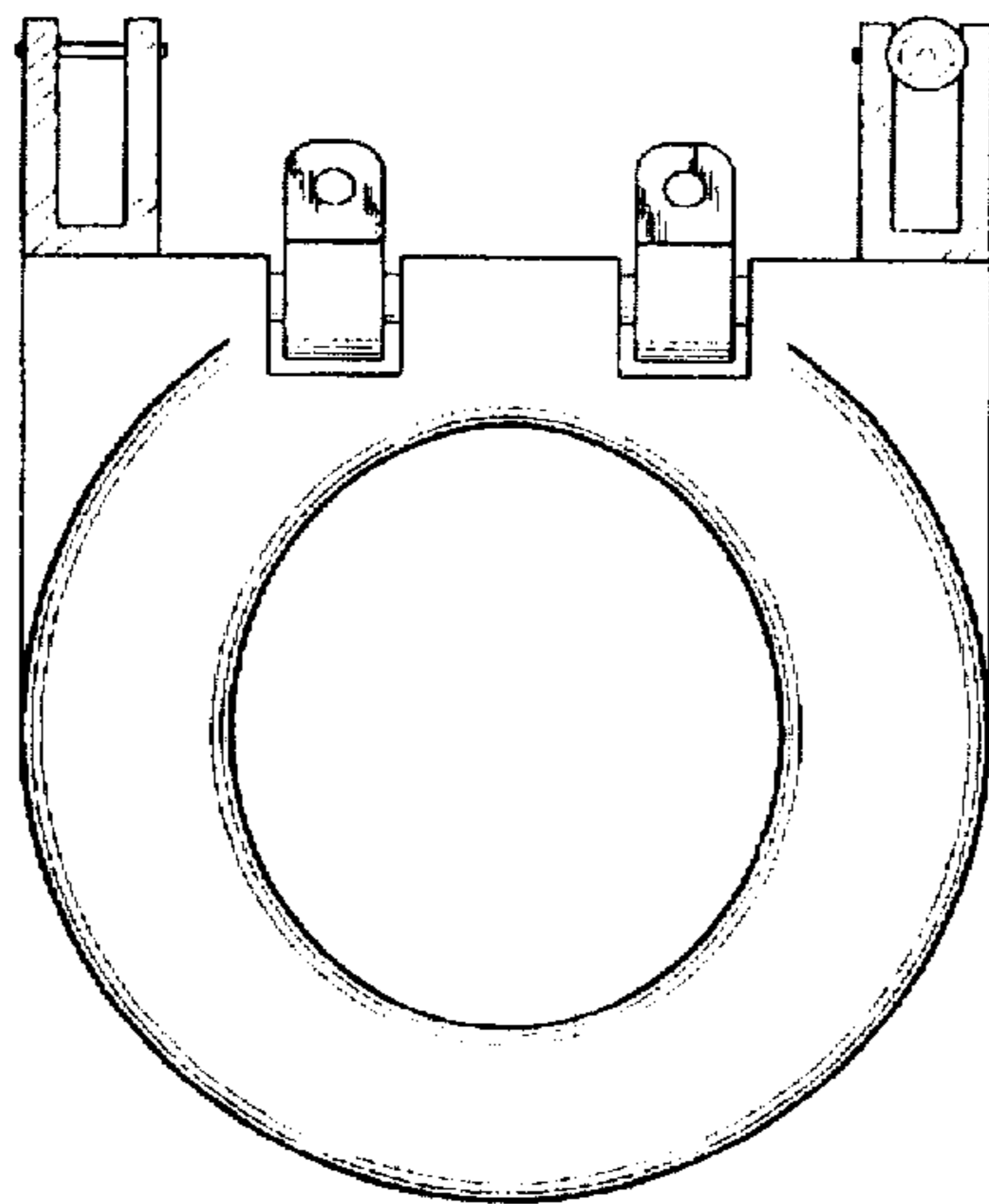
FIG. 6 is a bottom plan view of the sanitary toilet seat apparatus of FIG. 1.

[56] References Cited

U.S. PATENT DOCUMENTS

D. 197,457	2/1964	Wood	D8/315
D. 332,304	1/1993	LeFebre et al.	D23/311
D. 383,835	9/1997	Gibbs	D23/311
3,458,872	8/1969	Hellstrom et al.	4/237

1 Claim, 3 Drawing Sheets



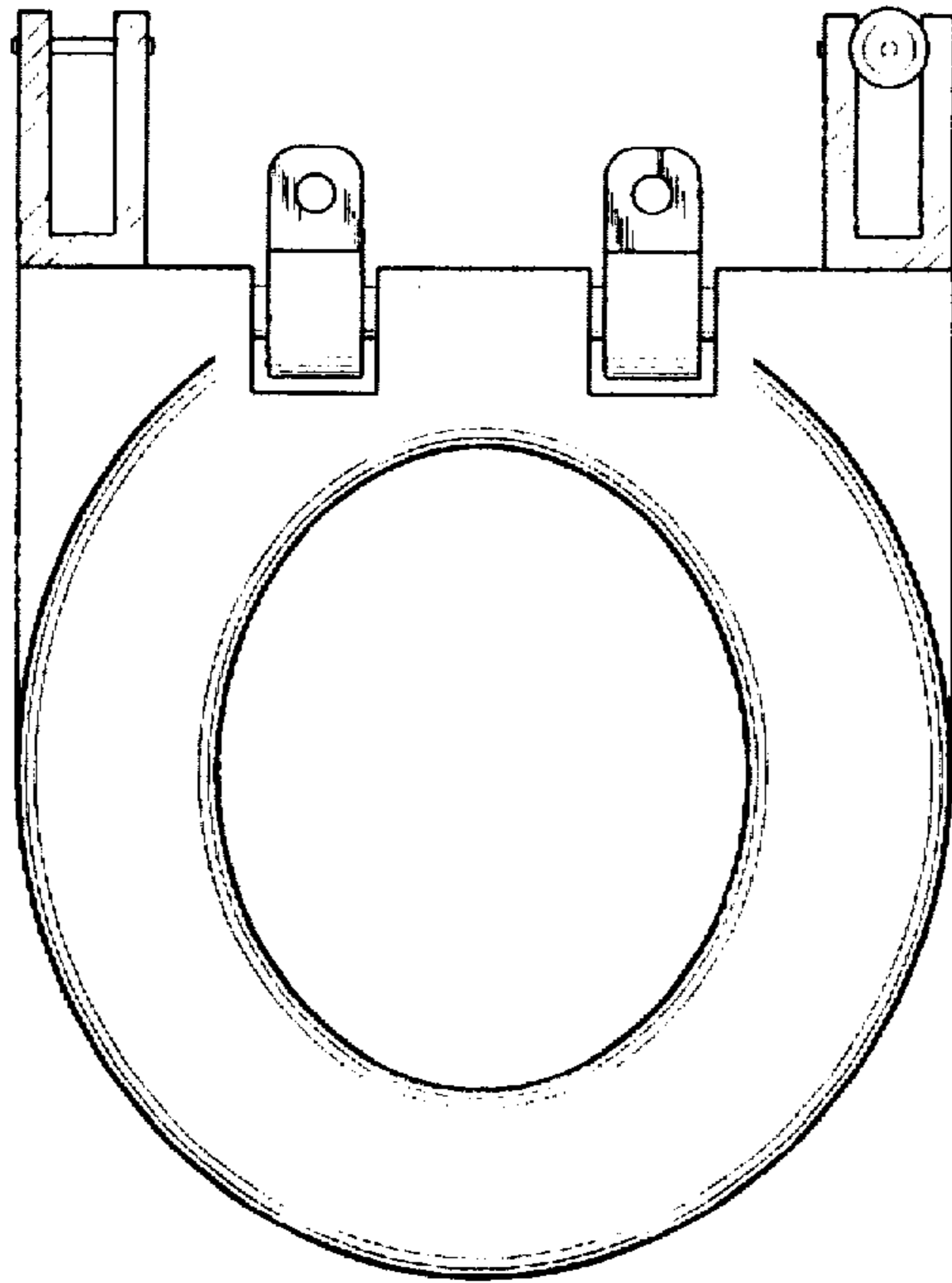


Fig. 1

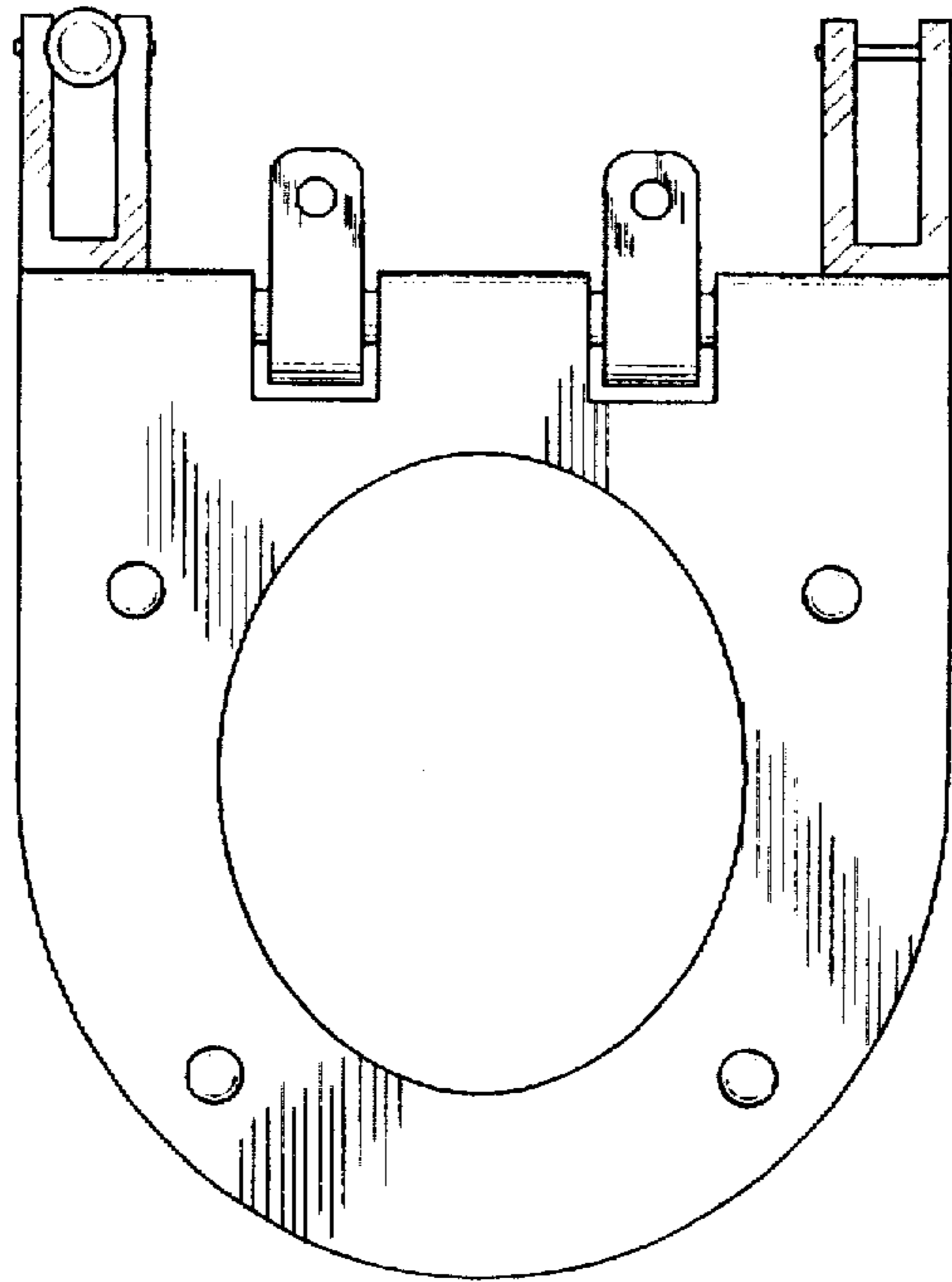


Fig. 2

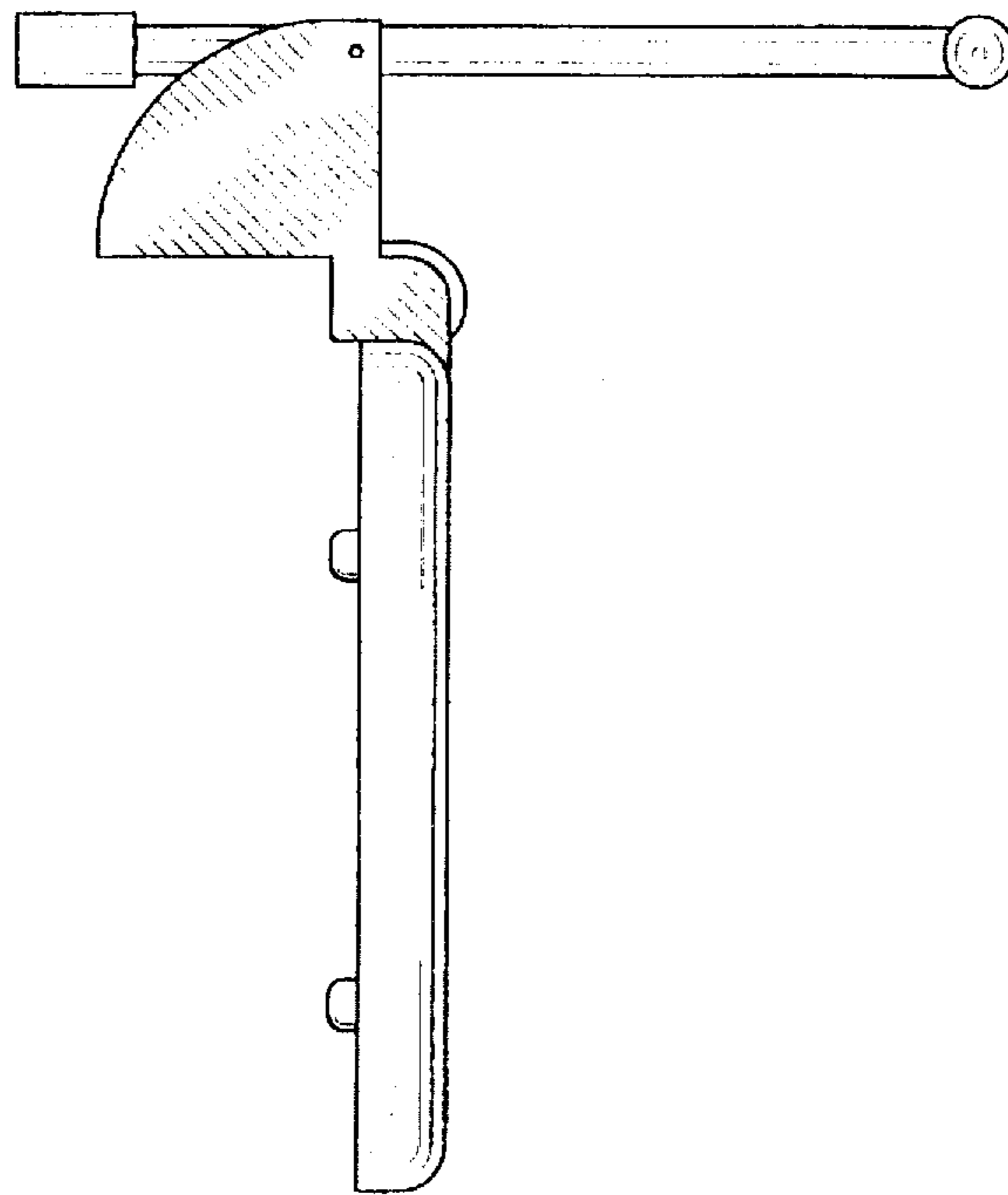


Fig. 3

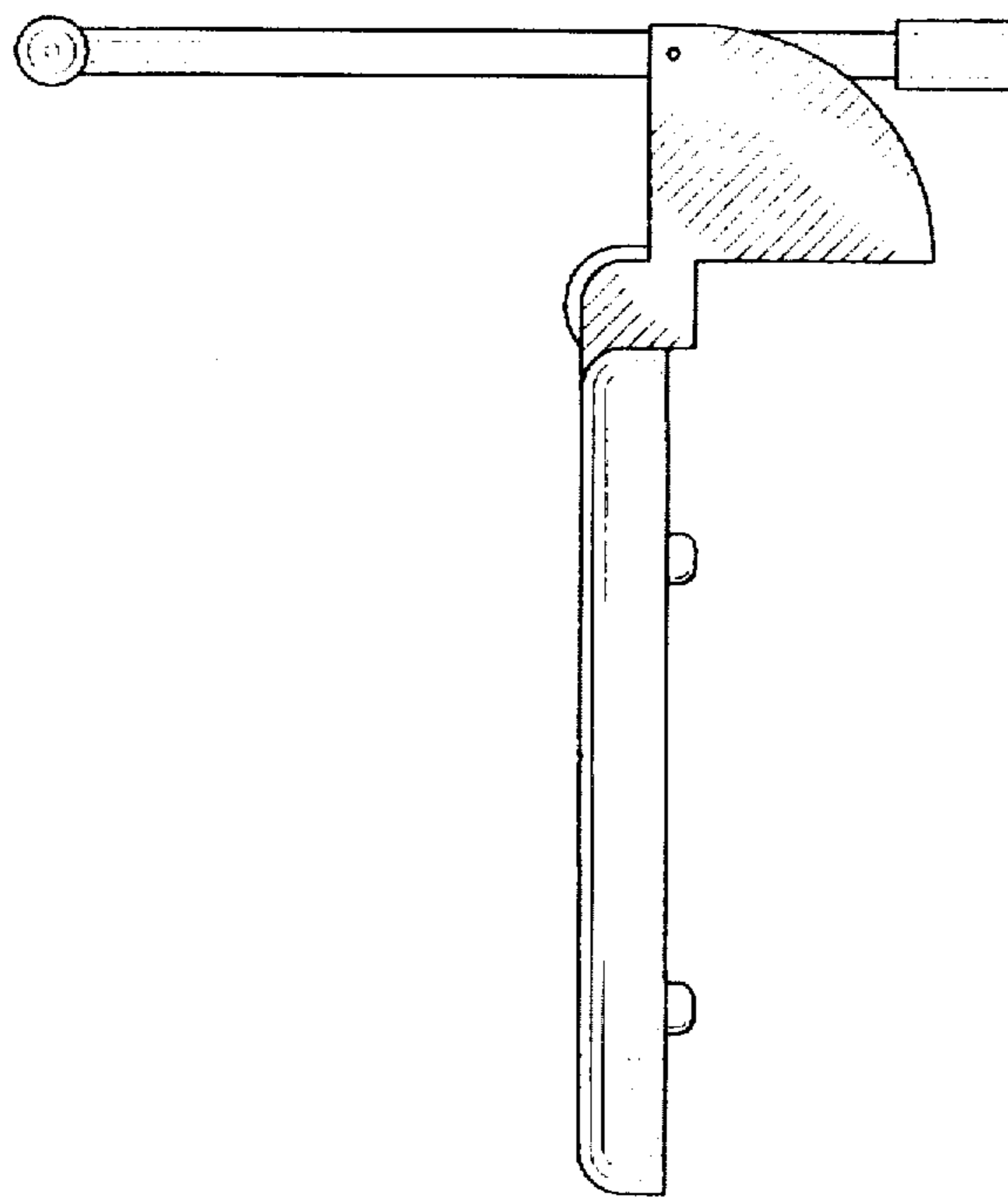


Fig. 4

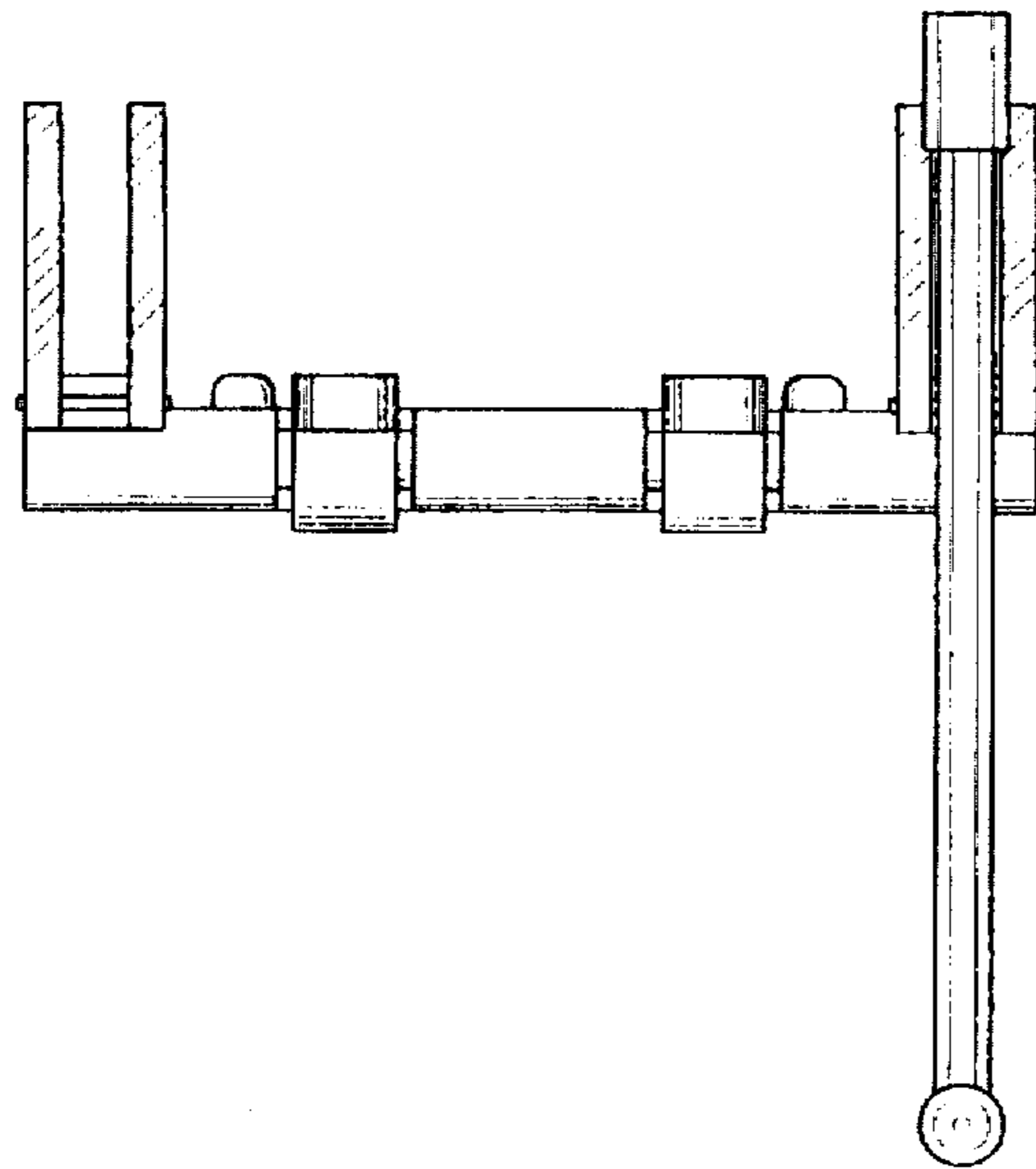


Fig. 5

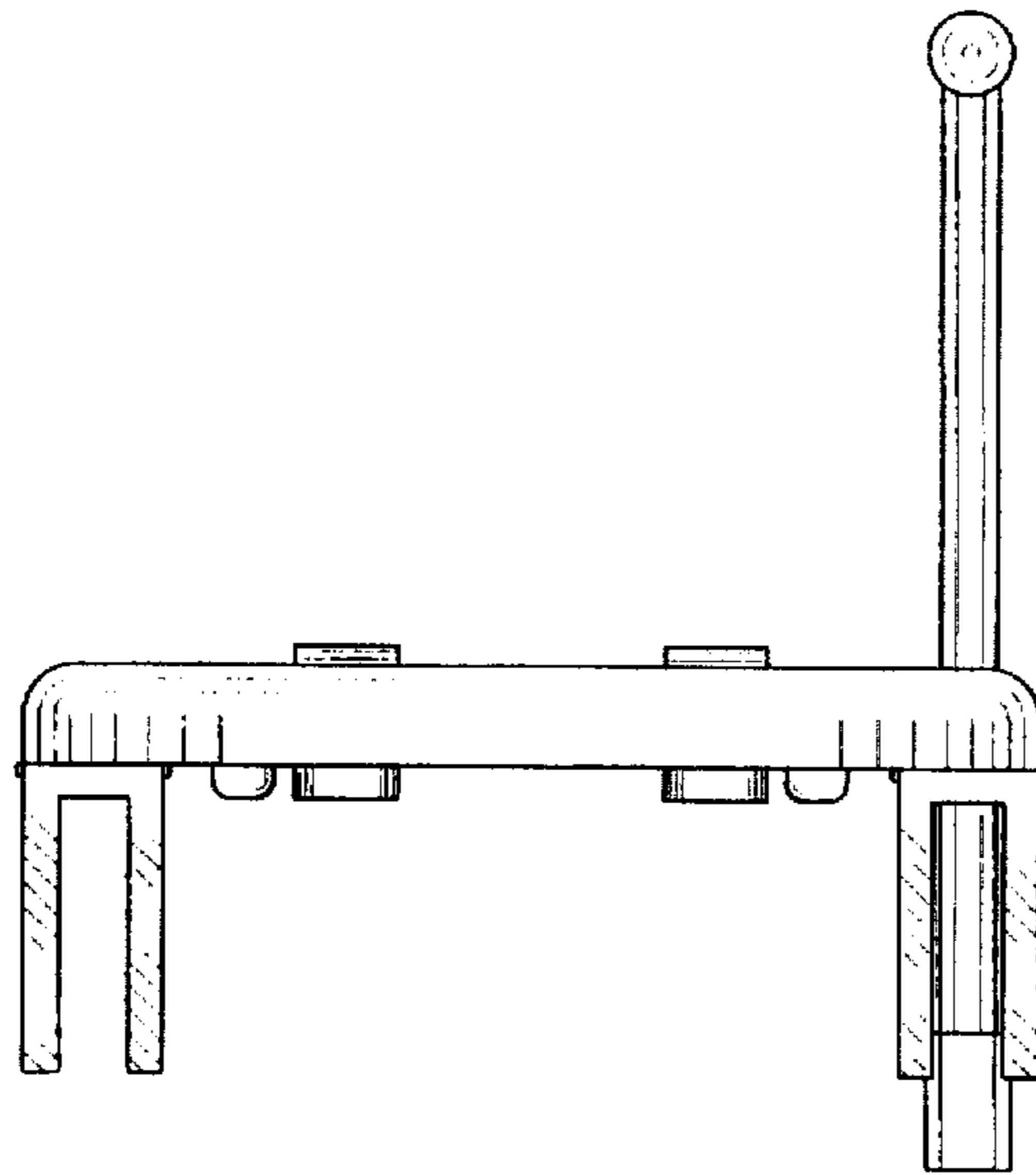


Fig. 6