



US00D393897S

United States Patent [19]
Padhi

[11] **Patent Number:** **Des. 393,897**

[45] **Date of Patent:** ****Apr. 28, 1998**

[54] **TOILET SEAT HOLDING APPARATUS**

[76] **Inventor:** **Dev Padhi**, 205-789 Drake St.,
Vancouver, British Columbia, Canada,
V6Z 2N7

[**] **Term:** **14 Years**

[21] **Appl. No.:** **71,182**

[22] **Filed:** **May 22, 1997**

[51] **LOC (6) Cl.** **23-02**

[52] **U.S. Cl.** **D23/303; D23/313**

[58] **Field of Search** **D23/303, 309,**
D23/312; 4/234, 236, 238, 240, 241, 246.1,
661

[56] **References Cited**

U.S. PATENT DOCUMENTS

D. 350,599	9/1994	Silverstein et al.	D23/309
4,707,870	11/1987	Glassco et al.	4/661
4,805,246	2/1989	De Vargas et al.	4/231 X
4,967,426	11/1990	Williams, Sr.	4/661

Primary Examiner—Louis S. Zarfes
Assistant Examiner—Eric Watterson

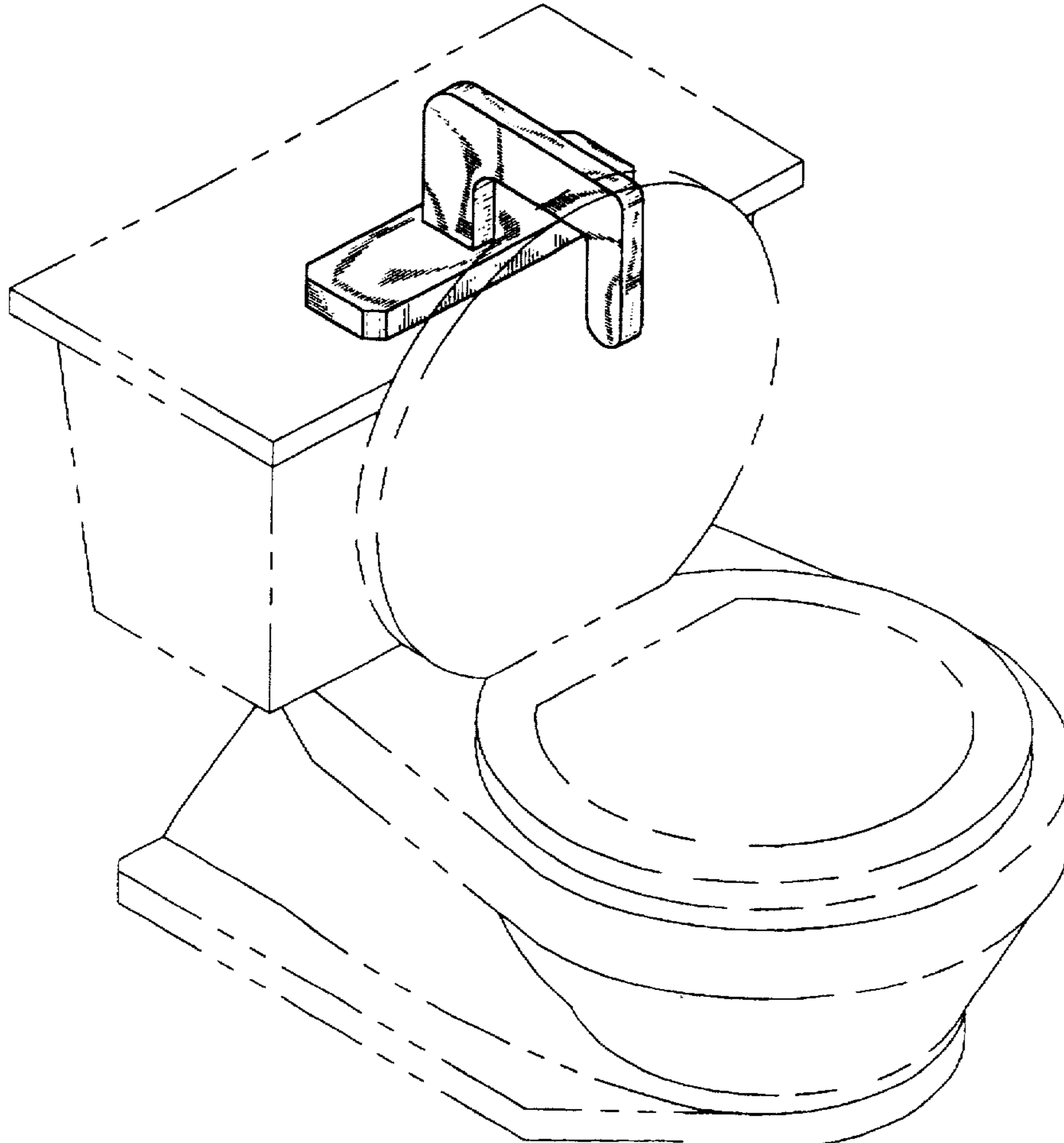
[57] **CLAIM**

The ornamental design for a toilet seat holding apparatus, as shown.

DESCRIPTION

FIG. 1 is a left side plan view of the toilet seat holding apparatus of the present invention;
 FIG. 2 is a right side plan view of the toilet seat holding apparatus of FIG. 1;
 FIG. 3 is a back plan view of the toilet seat holding apparatus of FIG. 1;
 FIG. 4 is a front plan view of the toilet seat holding apparatus of FIG. 1;
 FIG. 5 is a top plan view of the toilet seat holding apparatus of FIG. 1;
 FIG. 6 is a bottom plan view of the toilet seat holding apparatus of FIG. 1; and,
 FIG. 7 is a front, left, top perspective view of the toilet seat holding apparatus.
 The broken line showing of the toilet is for illustrative purposes only and forms no part of the claimed design;

1 Claim, 4 Drawing Sheets



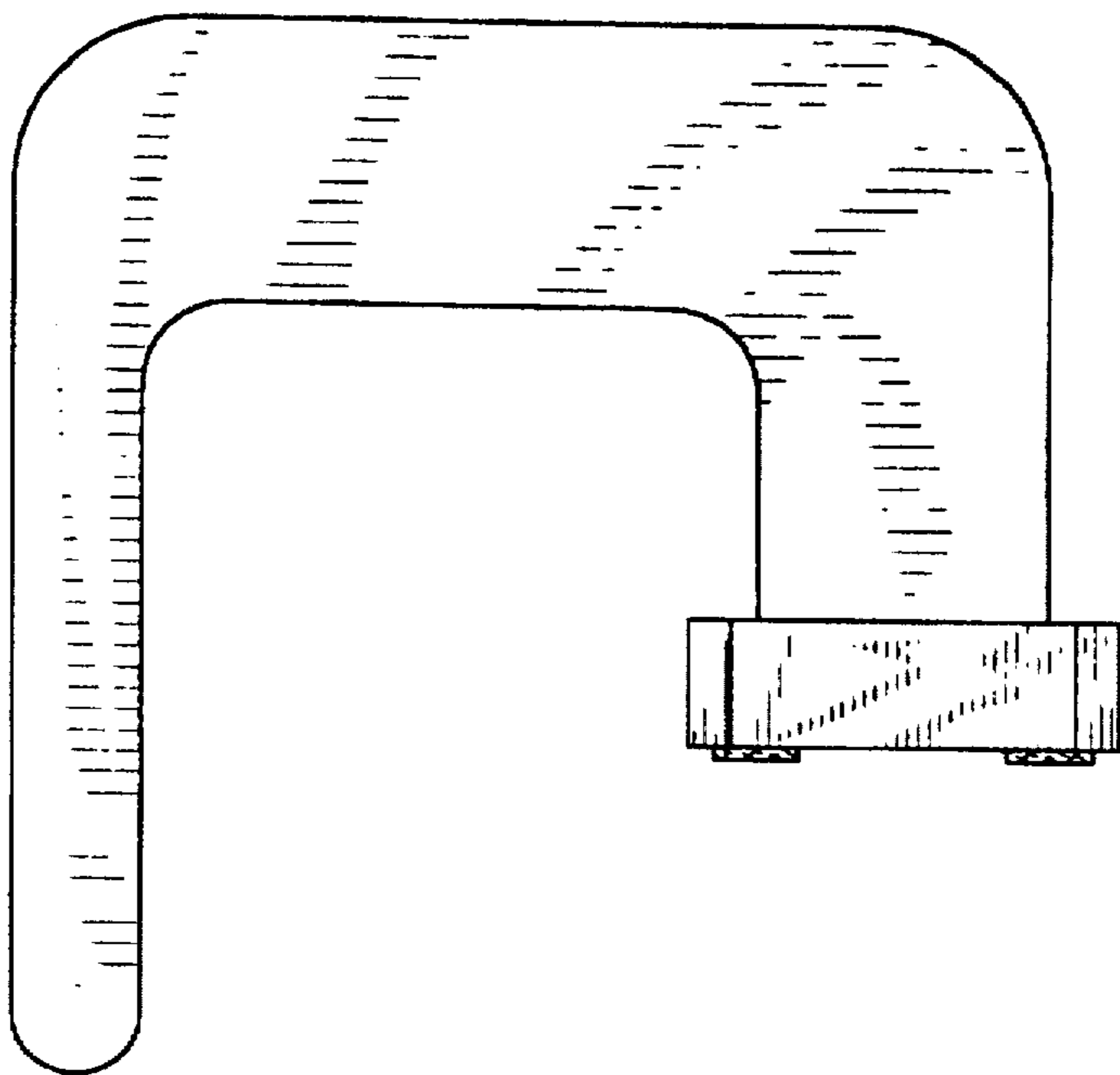


Fig. 2

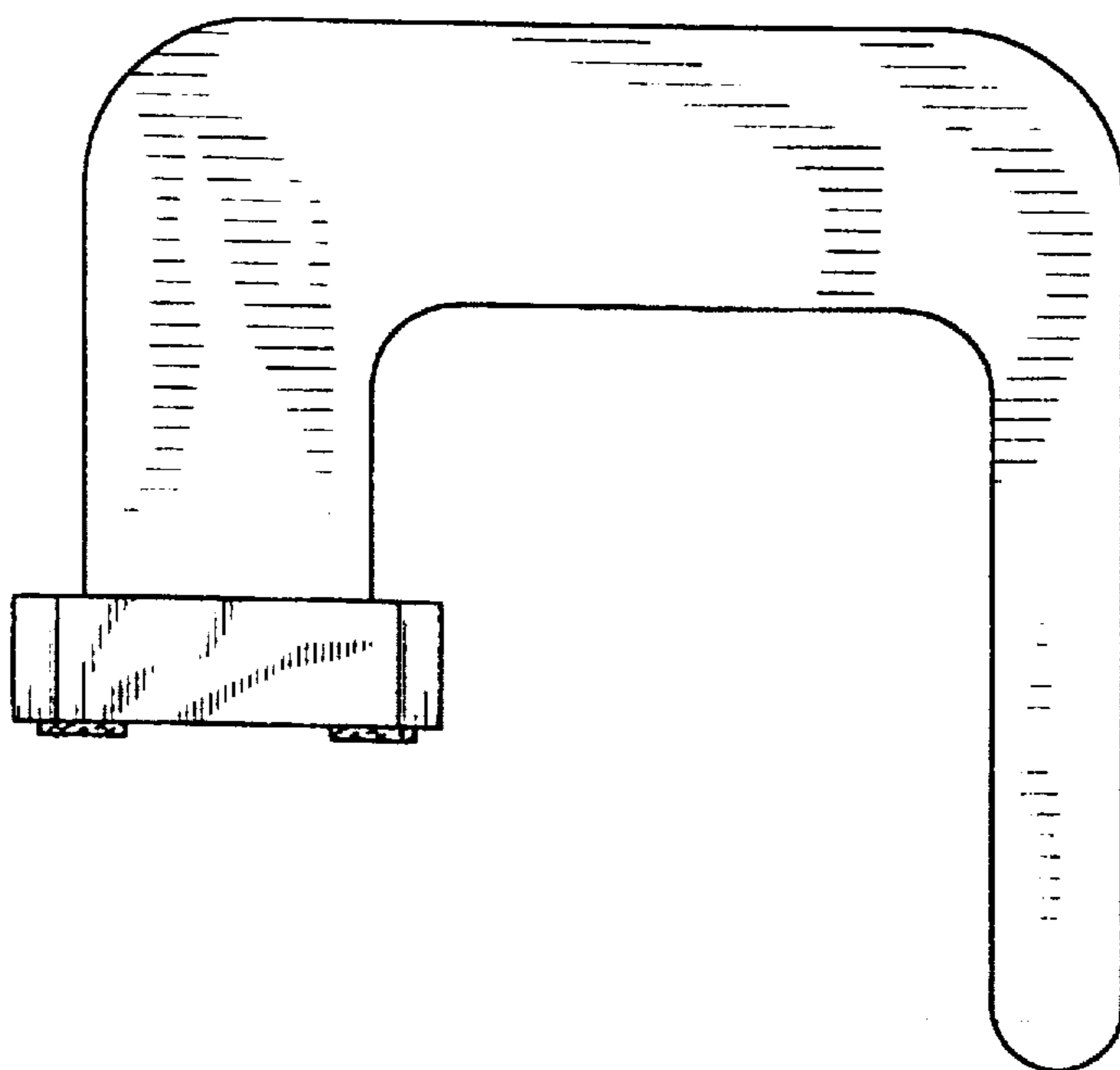


Fig. 1

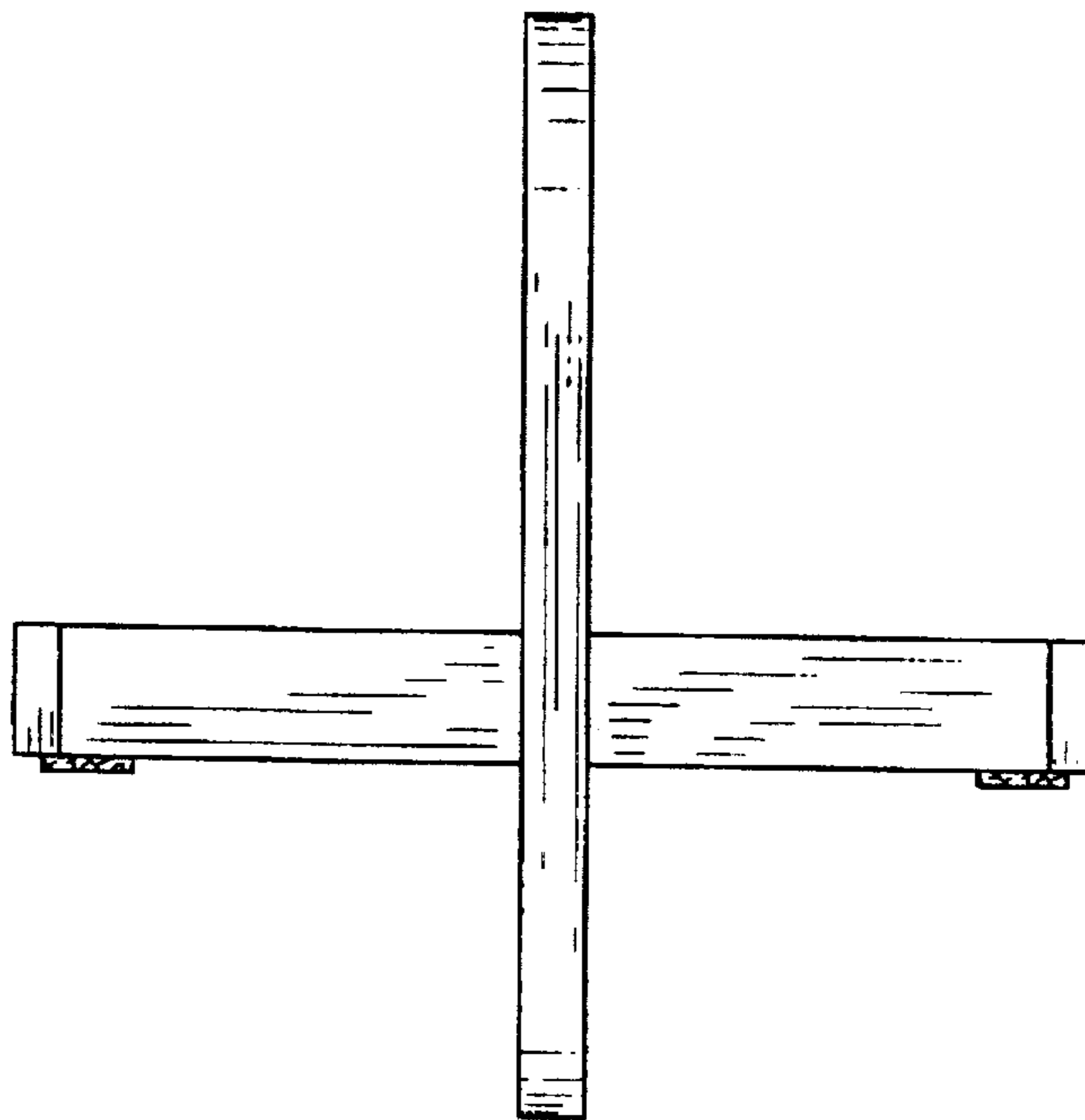


Fig. 4

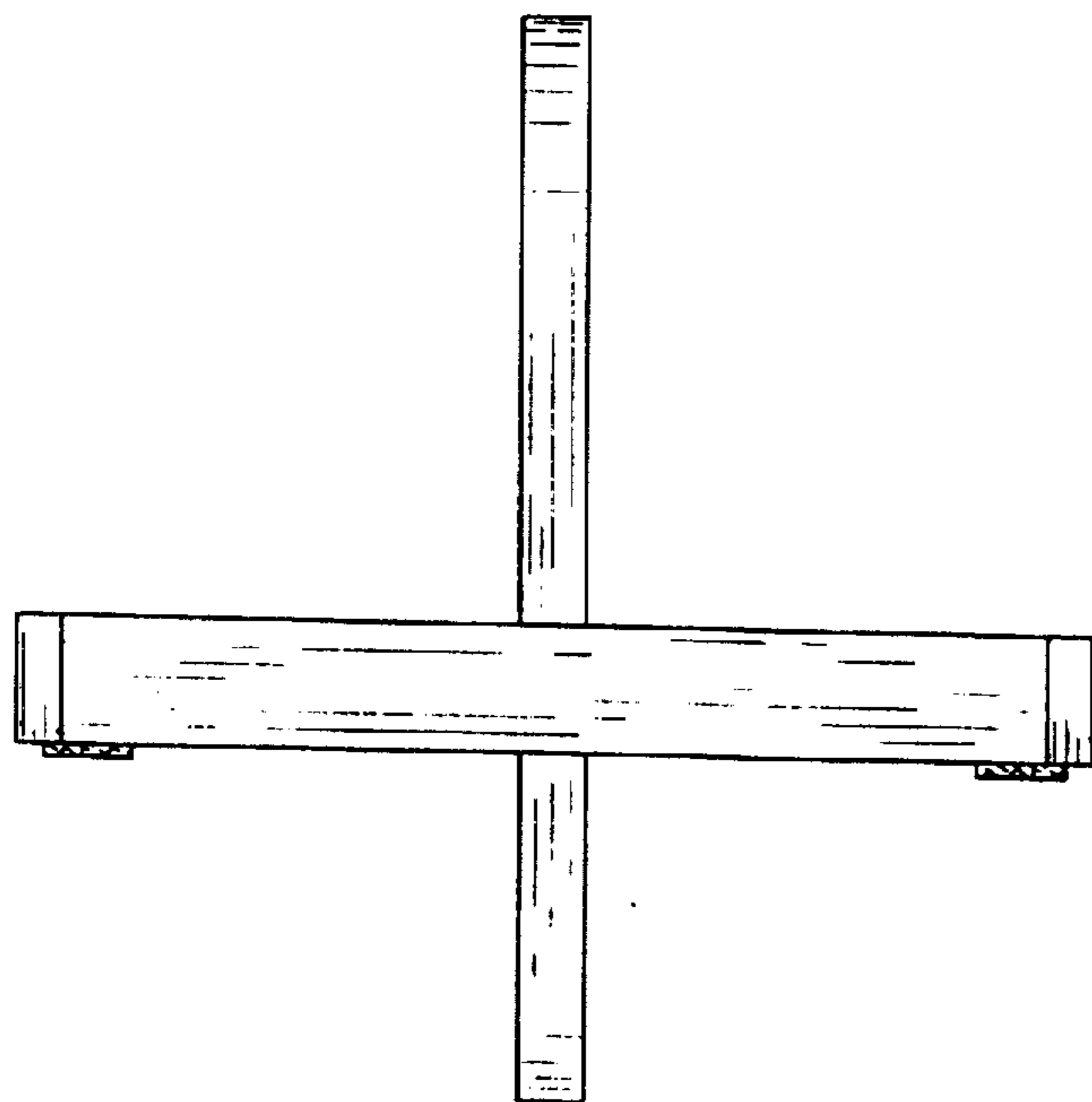


Fig. 3

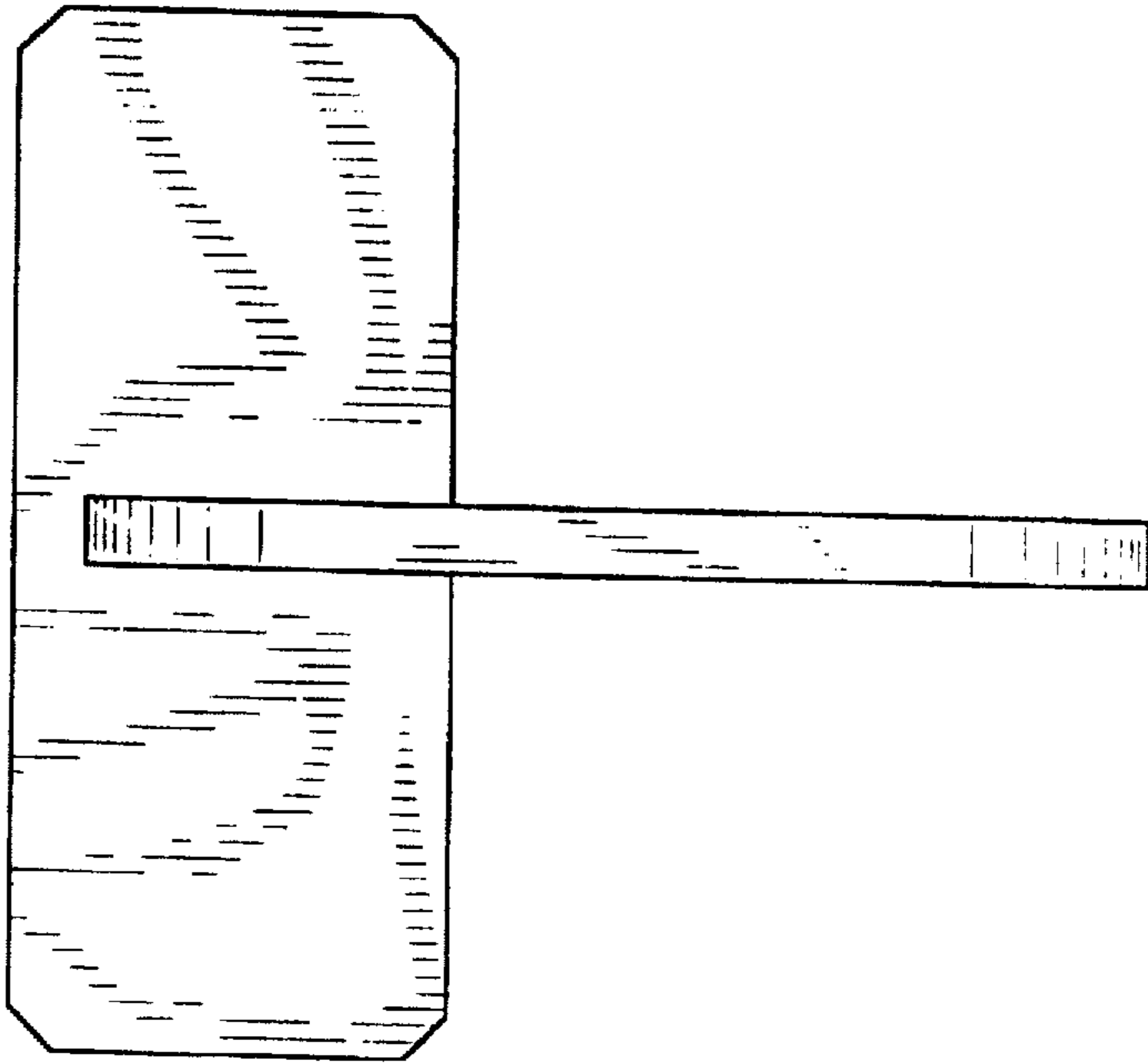


Fig. 5

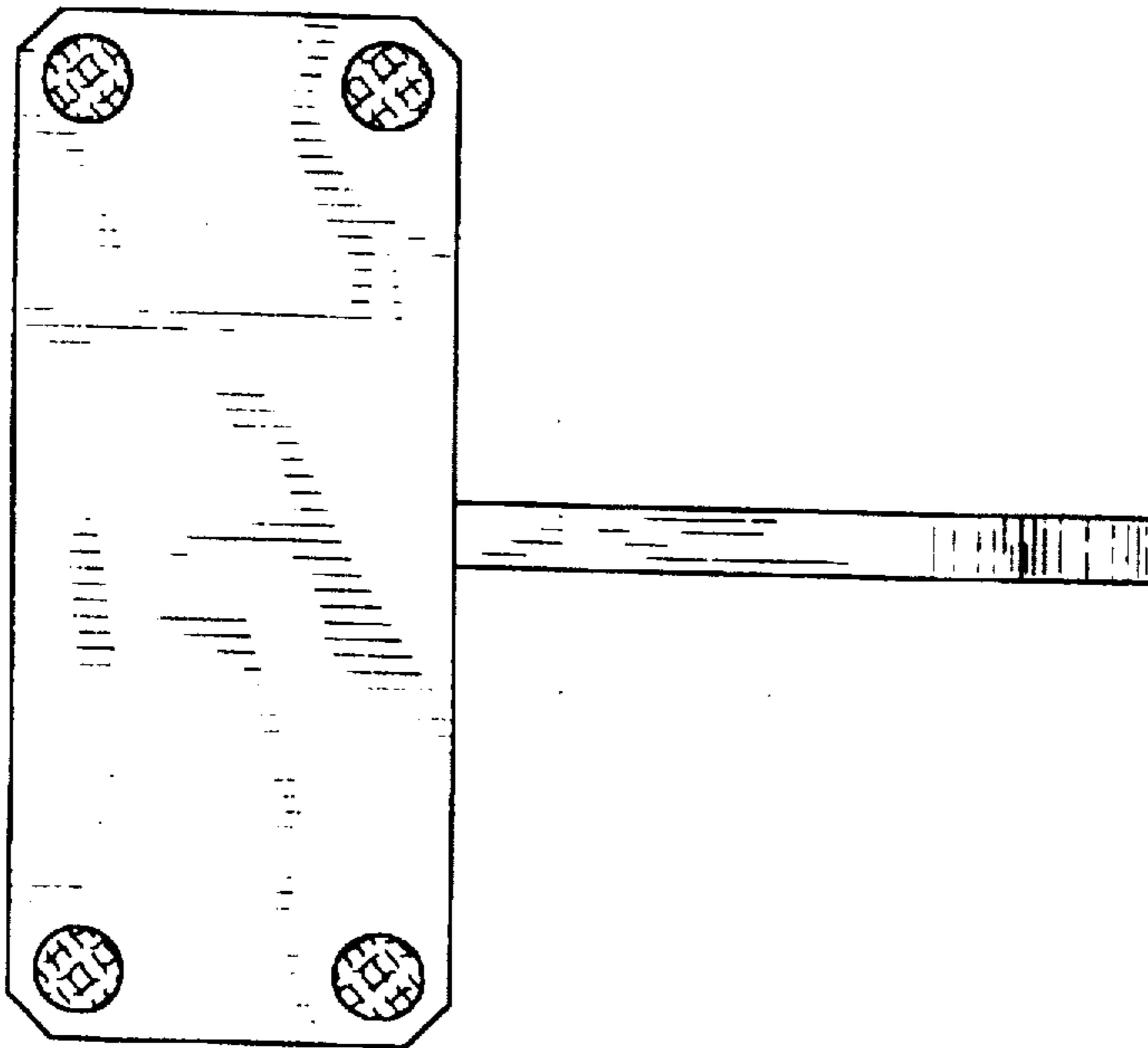


Fig. 6

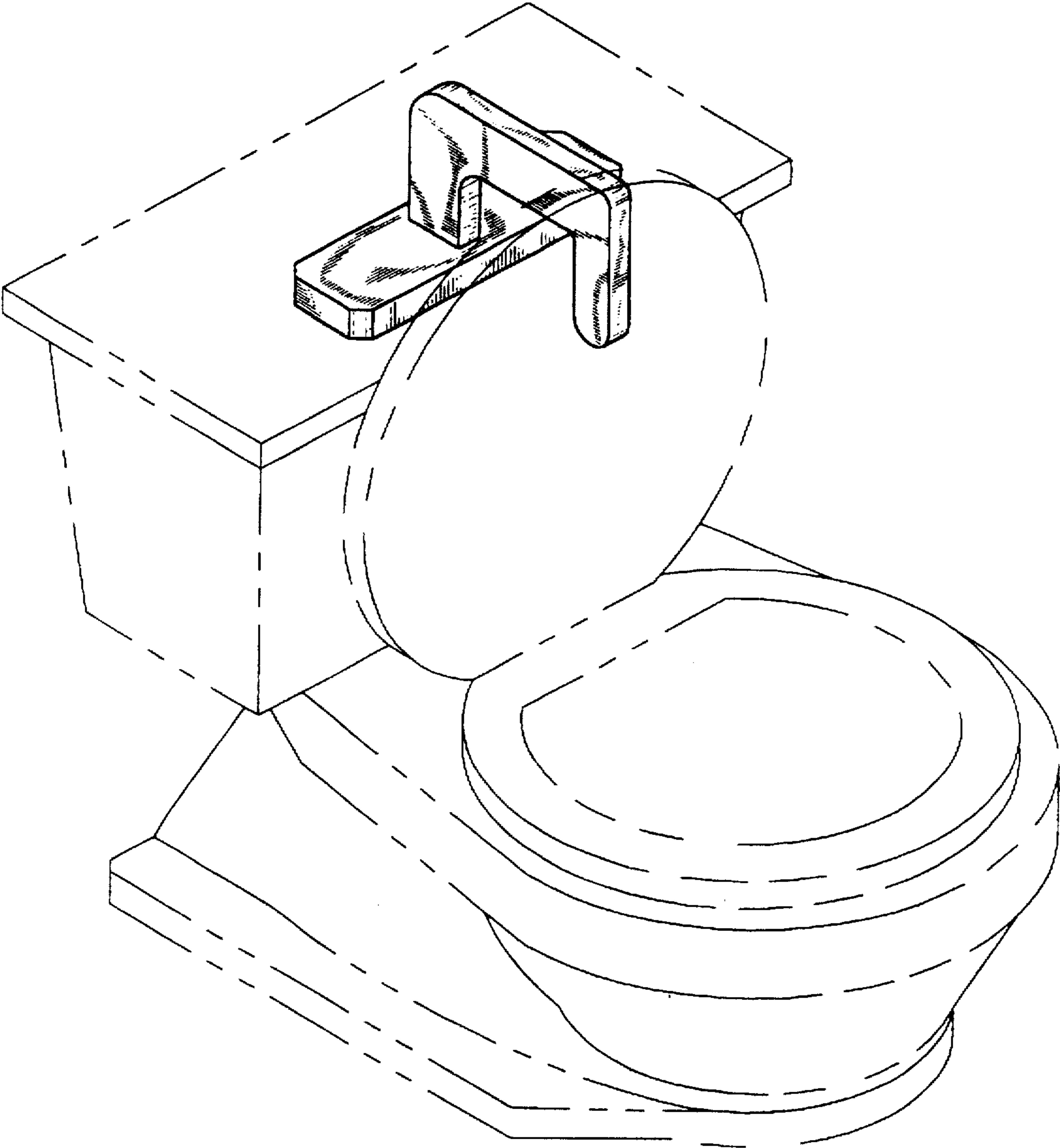


Fig. 7