



US00D393895S

United States Patent [19]
Gottwald

[11] **Patent Number: Des. 393,895**

[45] **Date of Patent: **Apr. 28, 1998**

[54] **WALL-MOUNT FAUCET HANDLE ASSEMBLY**

D. 355,021 1/1995 Satoh et al. D23/254
D. 356,362 3/1995 Burgeois et al. D23/254
D. 373,180 8/1996 Gottwald D23/254

[75] **Inventor: Adolf Gottwald, Iserlohn, Germany**

Primary Examiner—Louis S. Zarfes
Assistant Examiner—Eric Watterson
Attorney, Agent, or Firm—Herbert Dubno

[73] **Assignee: Friedrich Grohe AG, Hemer, Germany**

[**] **Term: 14 Years**

[57] **CLAIM**

[21] **Appl. No.: 71,941**

The ornamental design for a wall-mount faucet handle assembly, as shown and described.

[22] **Filed: Jun. 10, 1997**

DESCRIPTION

[30] **Foreign Application Priority Data**

Jan. 16, 1997 [DE] Germany M 97 00 386.7

FIG. 1 is a top, front left side perspective view of a wall-mount faucet handle assembly showing my new design;

[51] **LOC (6) Cl. 23-01**

[52] **U.S. Cl. D23/254**

FIG. 2 is a left side elevational view thereof, the right side being mirror symmetrical thereto;

[58] **Field of Search D23/238-243, D23/250-257; D8/352; 4/675-678**

FIG. 3 is a top view thereof;

FIG. 4 is a front elevational view thereof;

FIG. 5 is a rear view thereof; and,

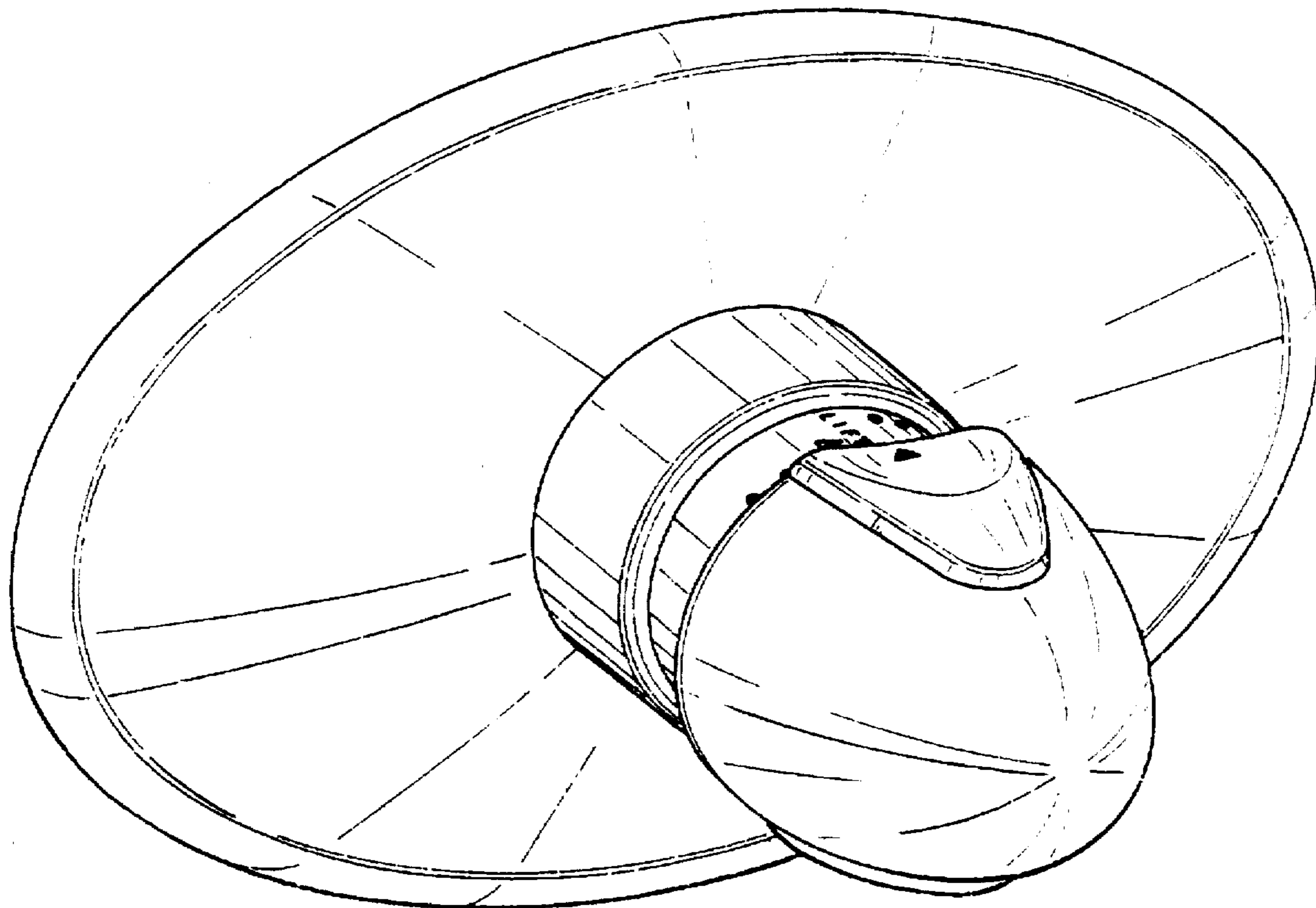
FIG. 6 is a bottom view thereof.

[56] **References Cited**

U.S. PATENT DOCUMENTS

D. 303,831 10/1989 Ramsey et al. D23/254

1 Claim, 3 Drawing Sheets



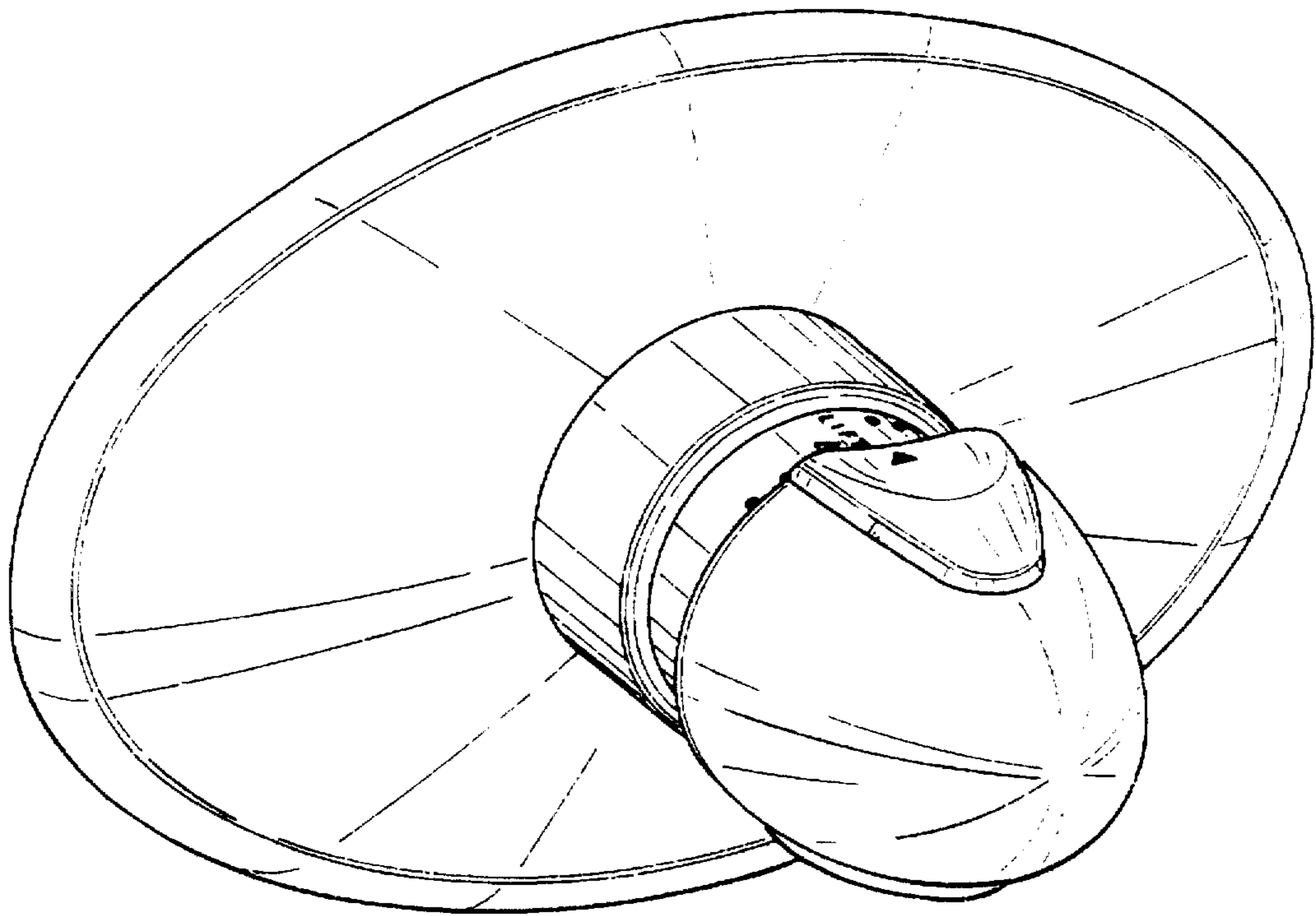


FIG. 1

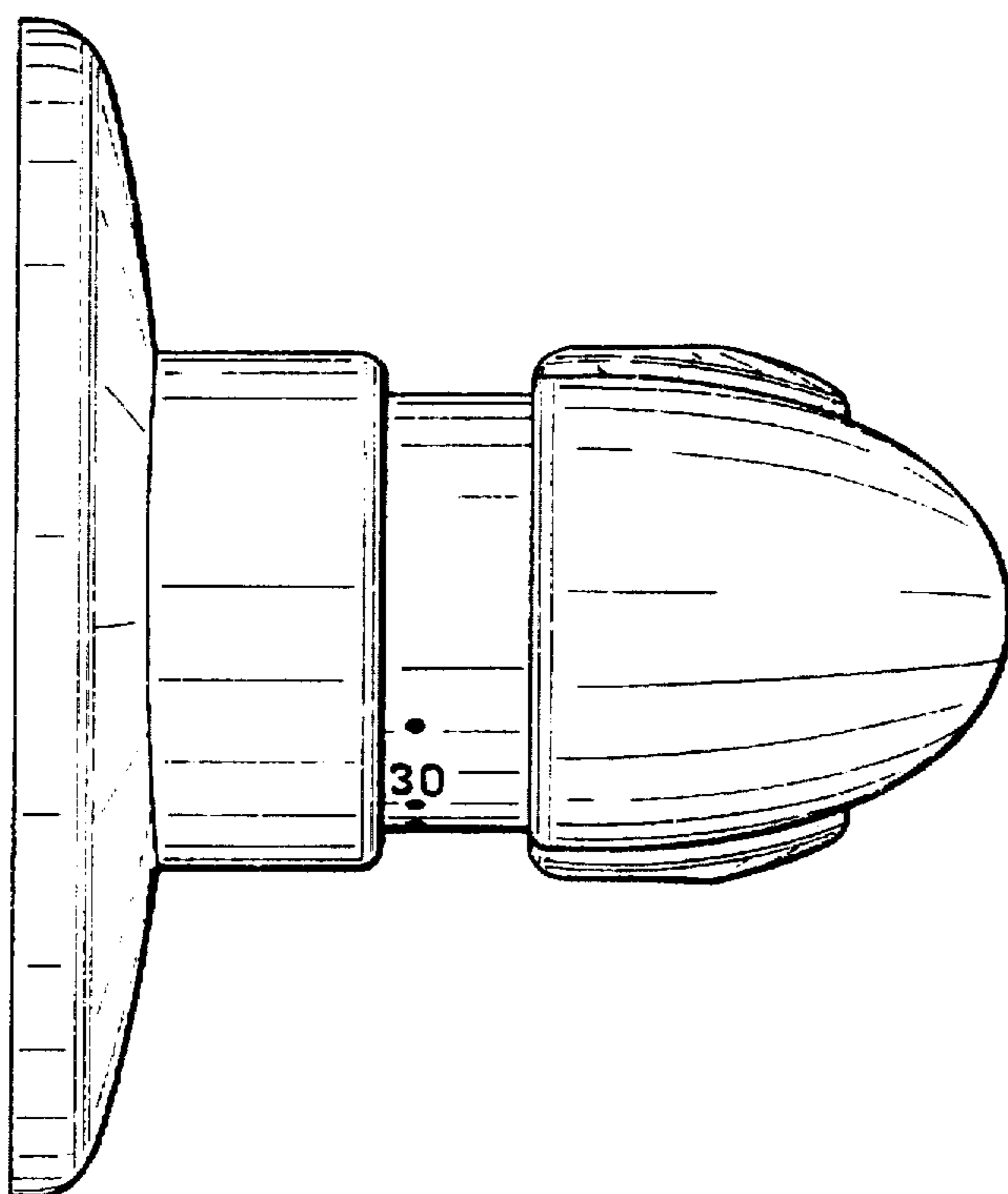
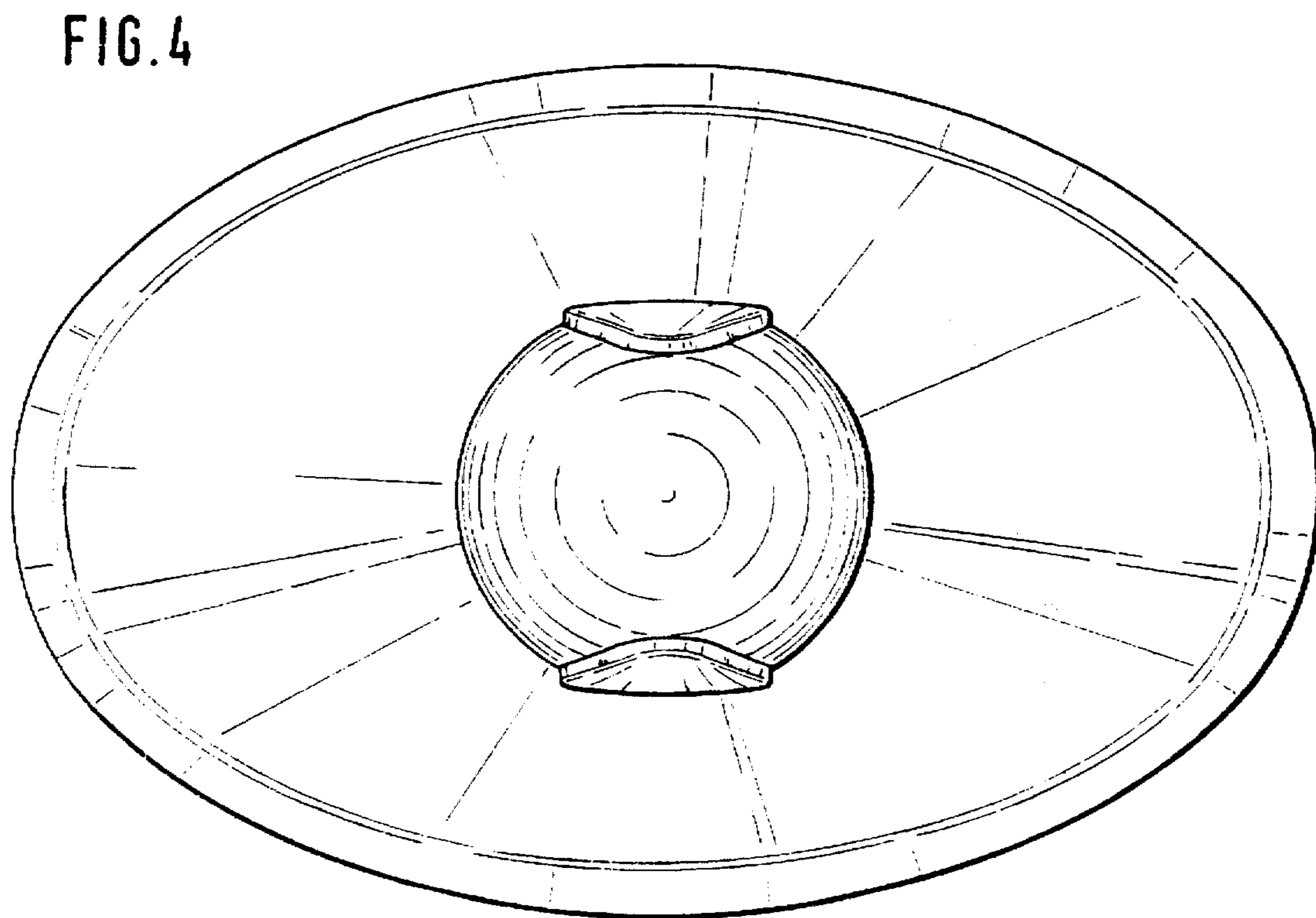
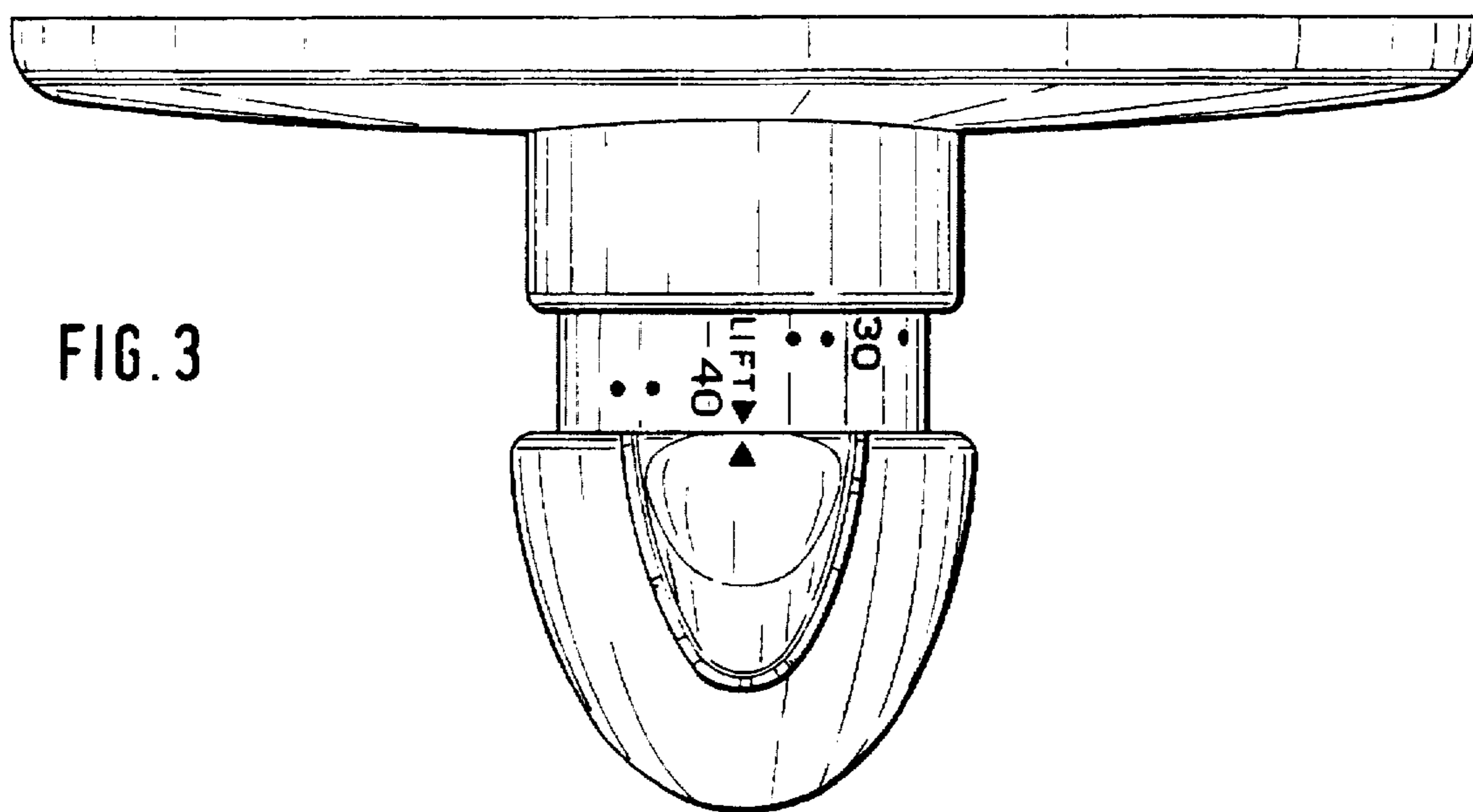


FIG. 2



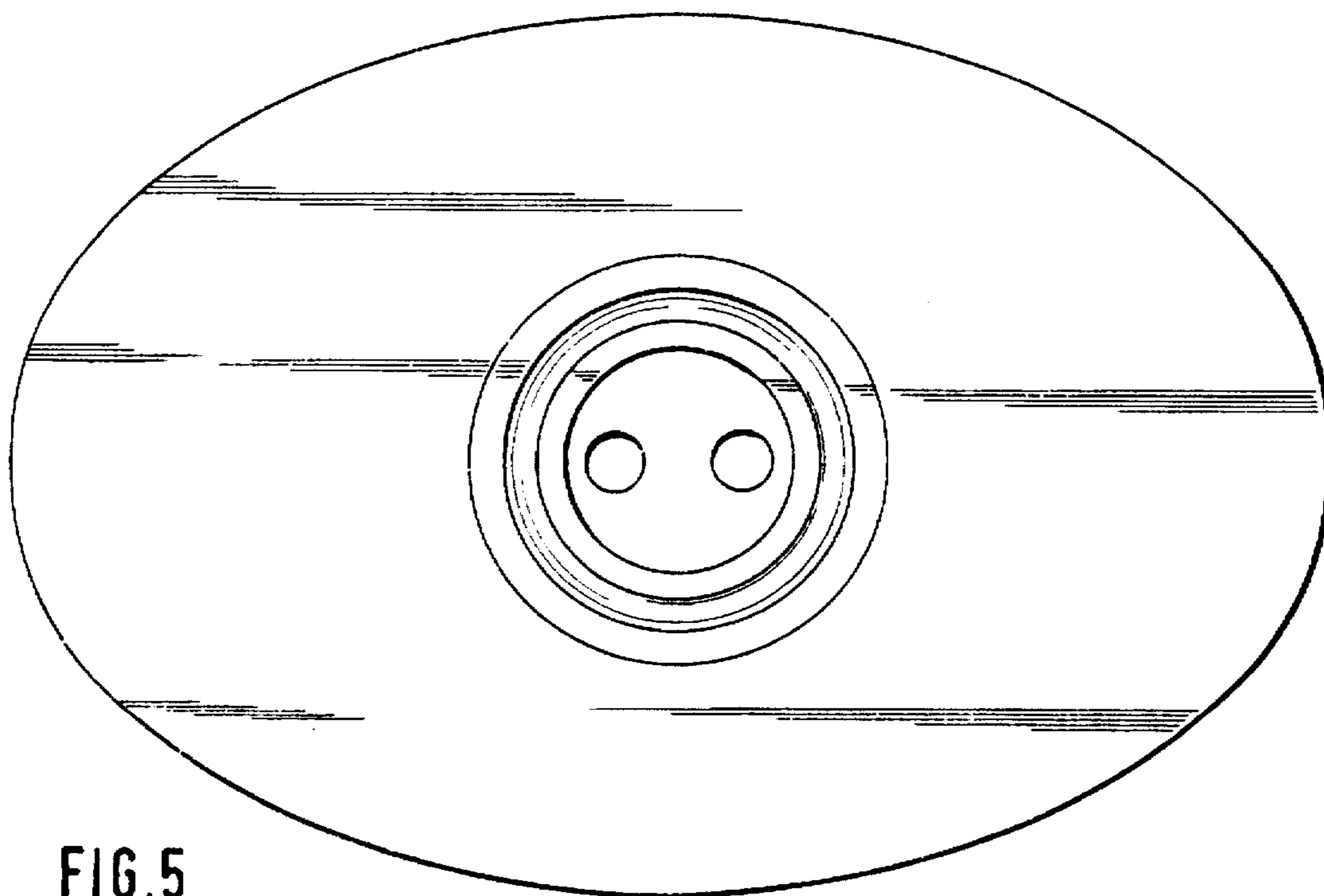


FIG. 5

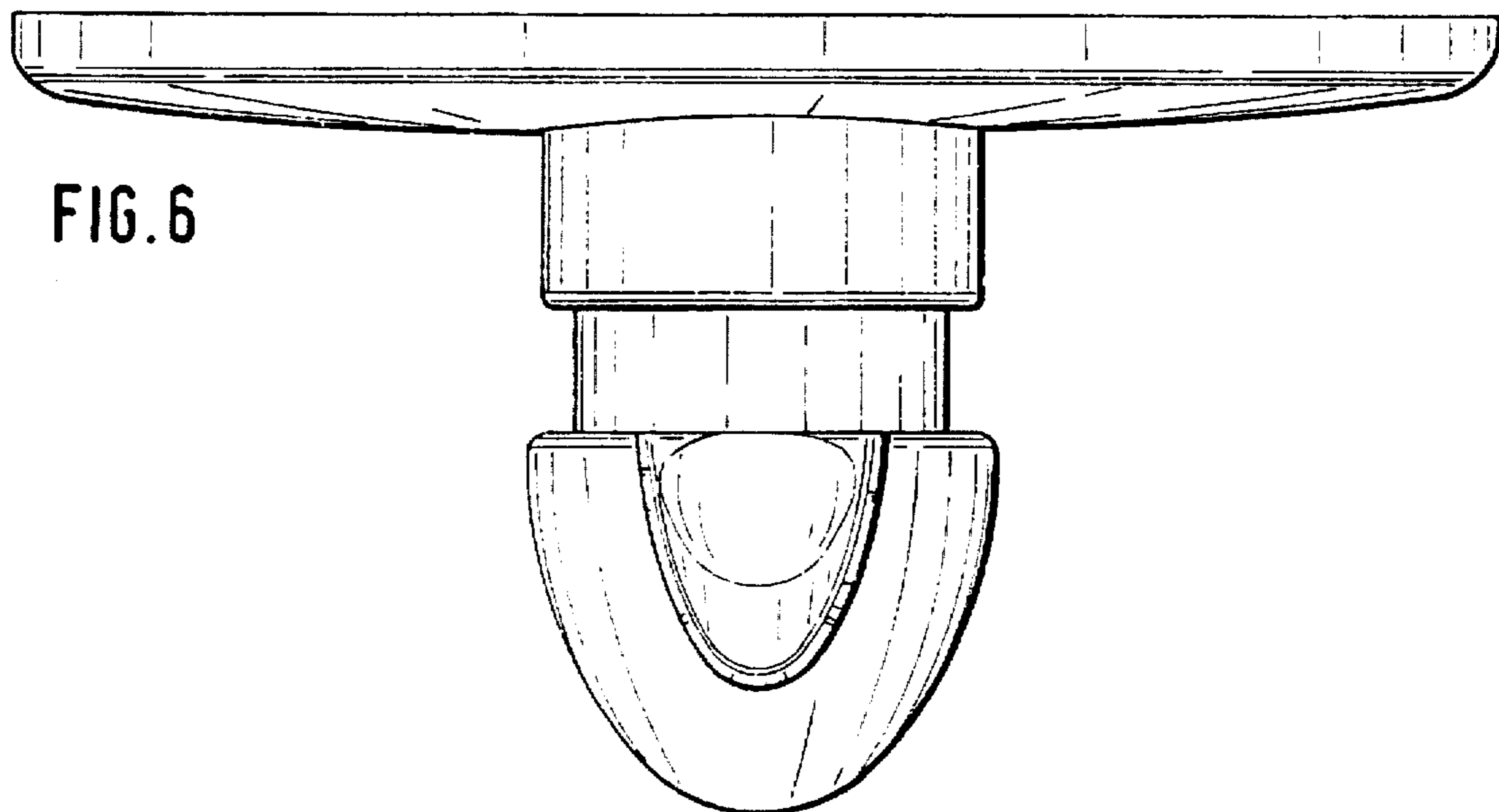


FIG. 6