



US00D393891S

United States Patent [19]

Van Der Hoeven et al.

[11] Patent Number: **Des. 393,891**

[45] Date of Patent: ****Apr. 28, 1998**

[54] **FOLDABLE BENCH EXERCISER**

[76] Inventors: **Martin A. Van Der Hoeven**, 4646 Rancho Reposo, Del Mar, Calif. 92014;
Francois H. Van Der Hoeven, 1404 E. View Ct., Oceanside, Calif. 92056

[**] Term: **14 Years**

[21] Appl. No.: **60,136**

[22] Filed: **Sep. 23, 1996**

[51] LOC (6) Cl. **21-02**

[52] U.S. Cl. **D21/195; D21/191**

[58] Field of Search **D21/191, 192, D21/193, 194, 195; 482/140, 142, 133, 138, 94, 95, 92, 96**

[56] **References Cited**

U.S. PATENT DOCUMENTS

D. 321,391	11/1991	Jones	D21/195
D. 357,954	5/1995	Lee	D21/195
4,372,553	2/1983	Hatfield	482/140
4,508,335	4/1985	Kelley et al.	482/140

5,122,107	6/1992	Gardner	482/140
5,256,126	10/1993	Grotstein	492/133
5,300,005	4/1994	Wang	482/142
5,308,306	5/1994	Wang	482/133
5,346,447	9/1994	Stearns	482/95
5,441,473	8/1995	Safari et al.	482/140

Primary Examiner—Philip S. Hyder
Attorney, Agent, or Firm—Christie, Parker & Hale, LLP

[57] **CLAIM**

The ornamental design for a foldable bench exerciser, as shown and described.

DESCRIPTION

FIG. 1 is a front elevational view of a foldable bench exerciser showing our new design;
FIG. 2 is a back elevational view thereof;
FIG. 3 is a left side elevational view thereof, which is also a mirror image of the right side elevational view;
FIG. 4 is a top elevational view thereof;
FIG. 5 is a bottom elevational view thereof; and
FIG. 6 is a perspective view thereof.

1 Claim, 5 Drawing Sheets

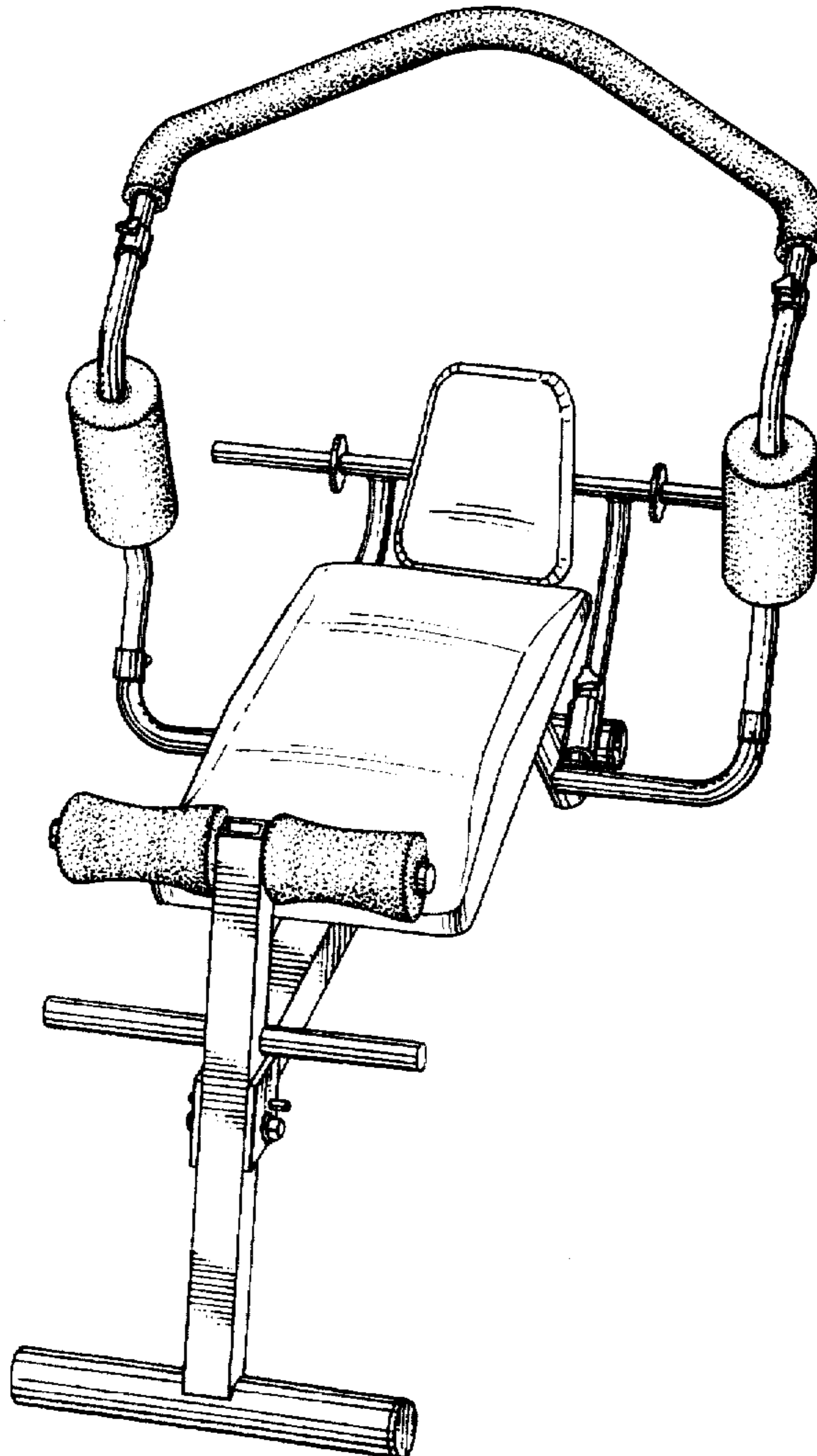


Fig. 2

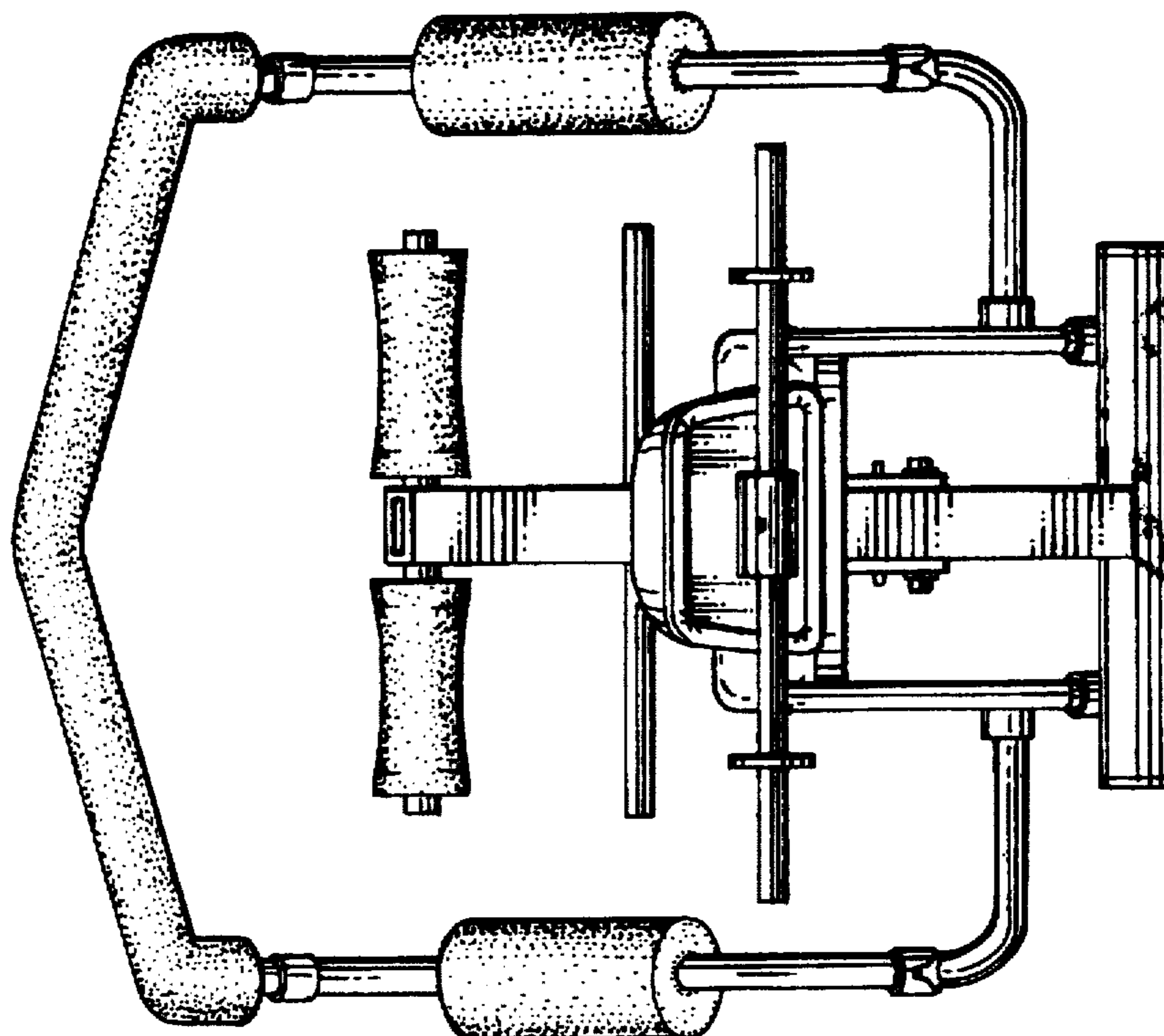
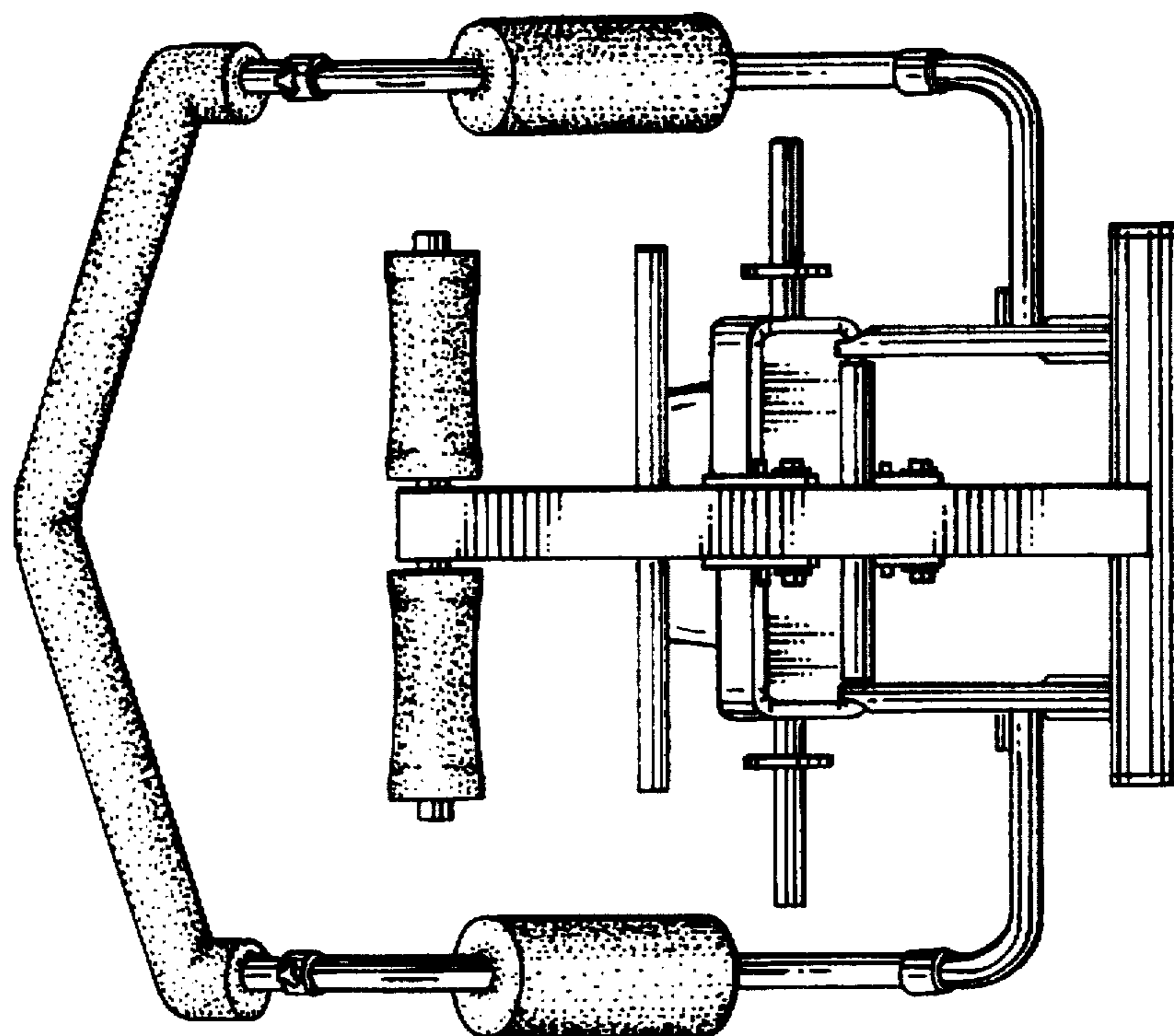


Fig. 1



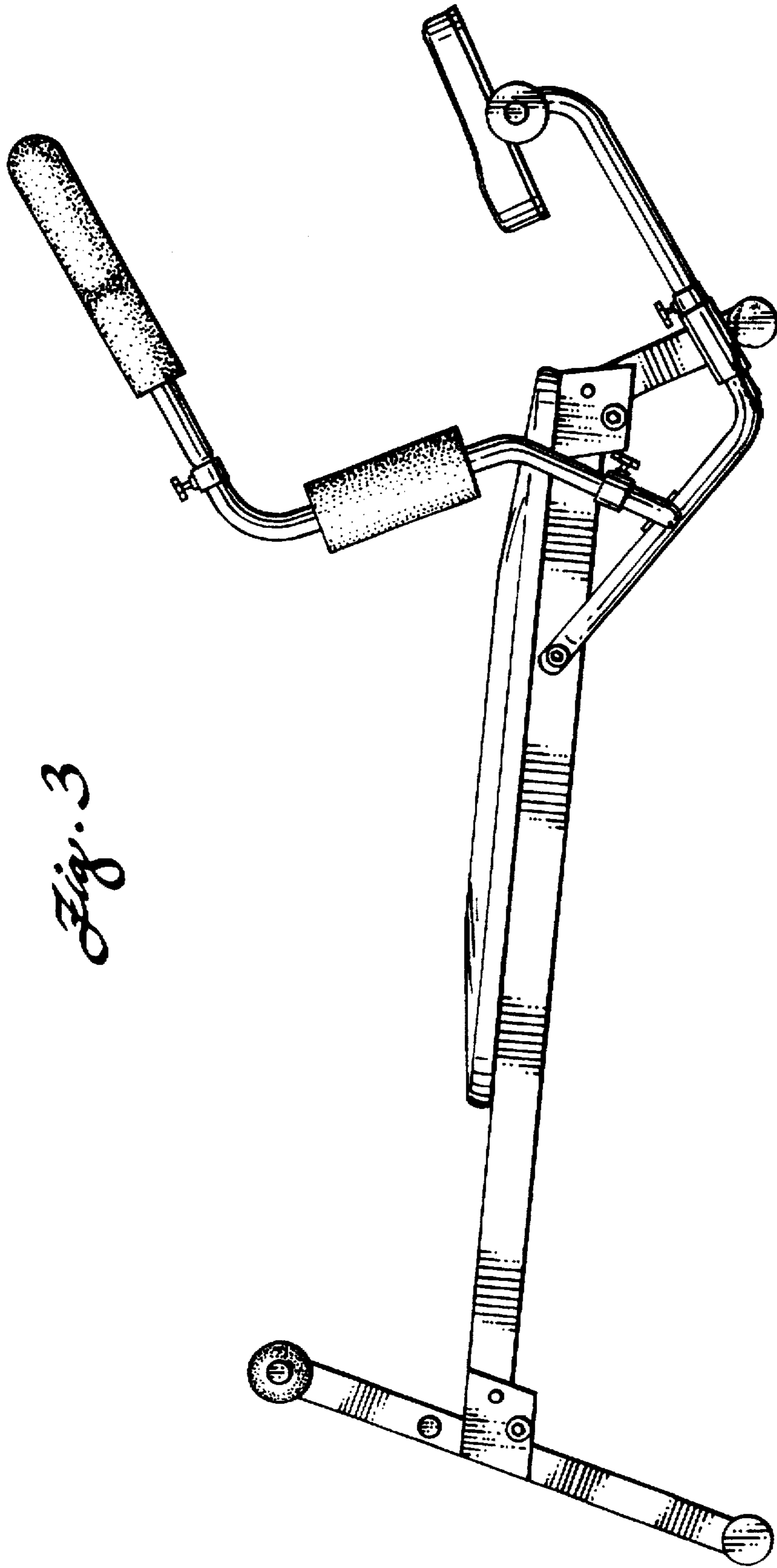


Fig. 3

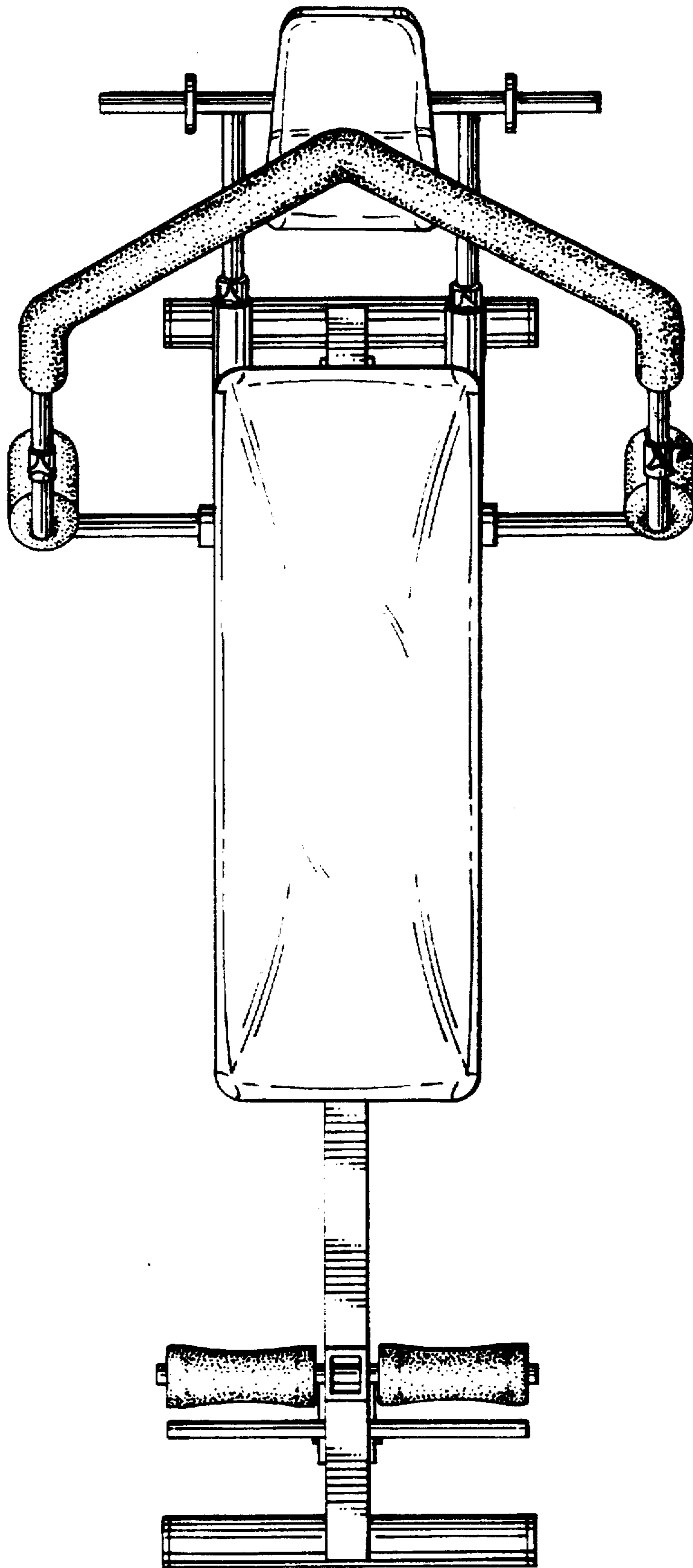


Fig. A

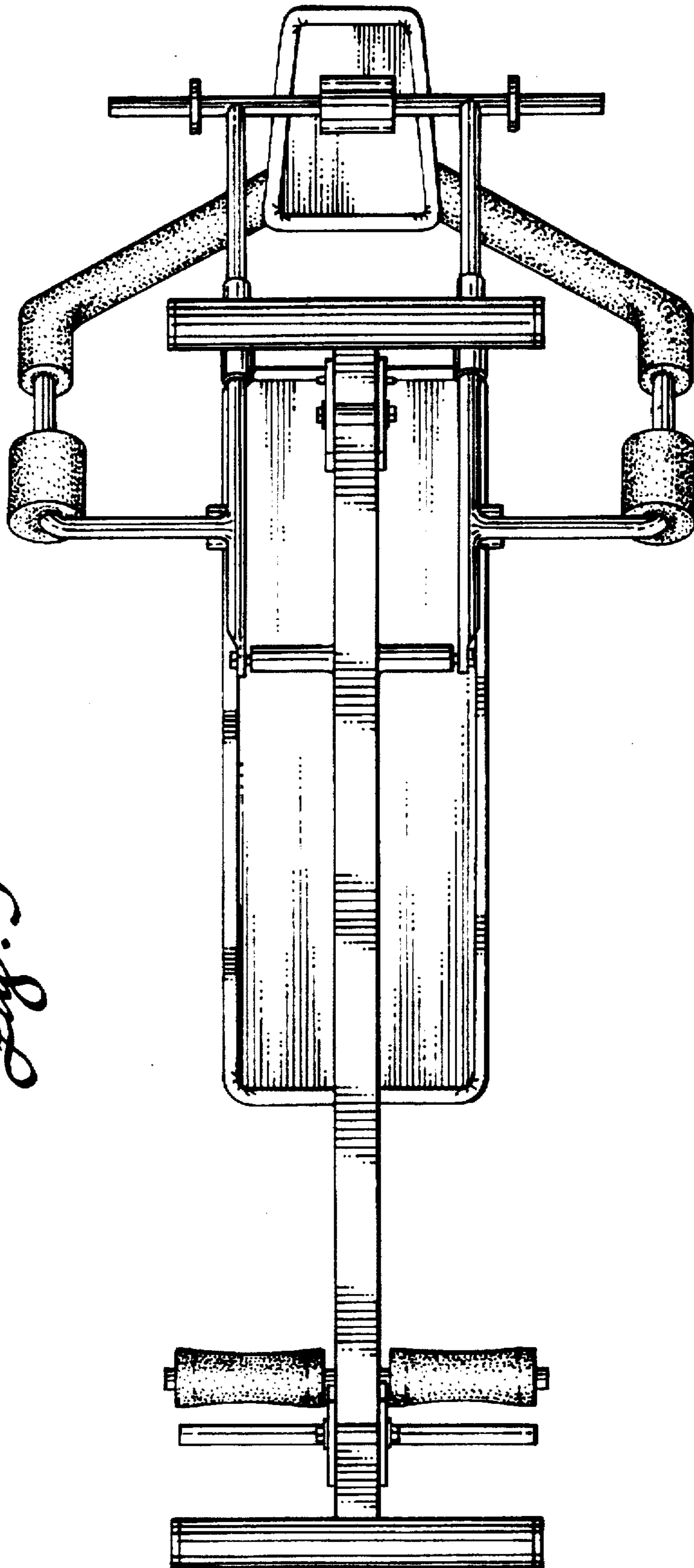


Fig. 5

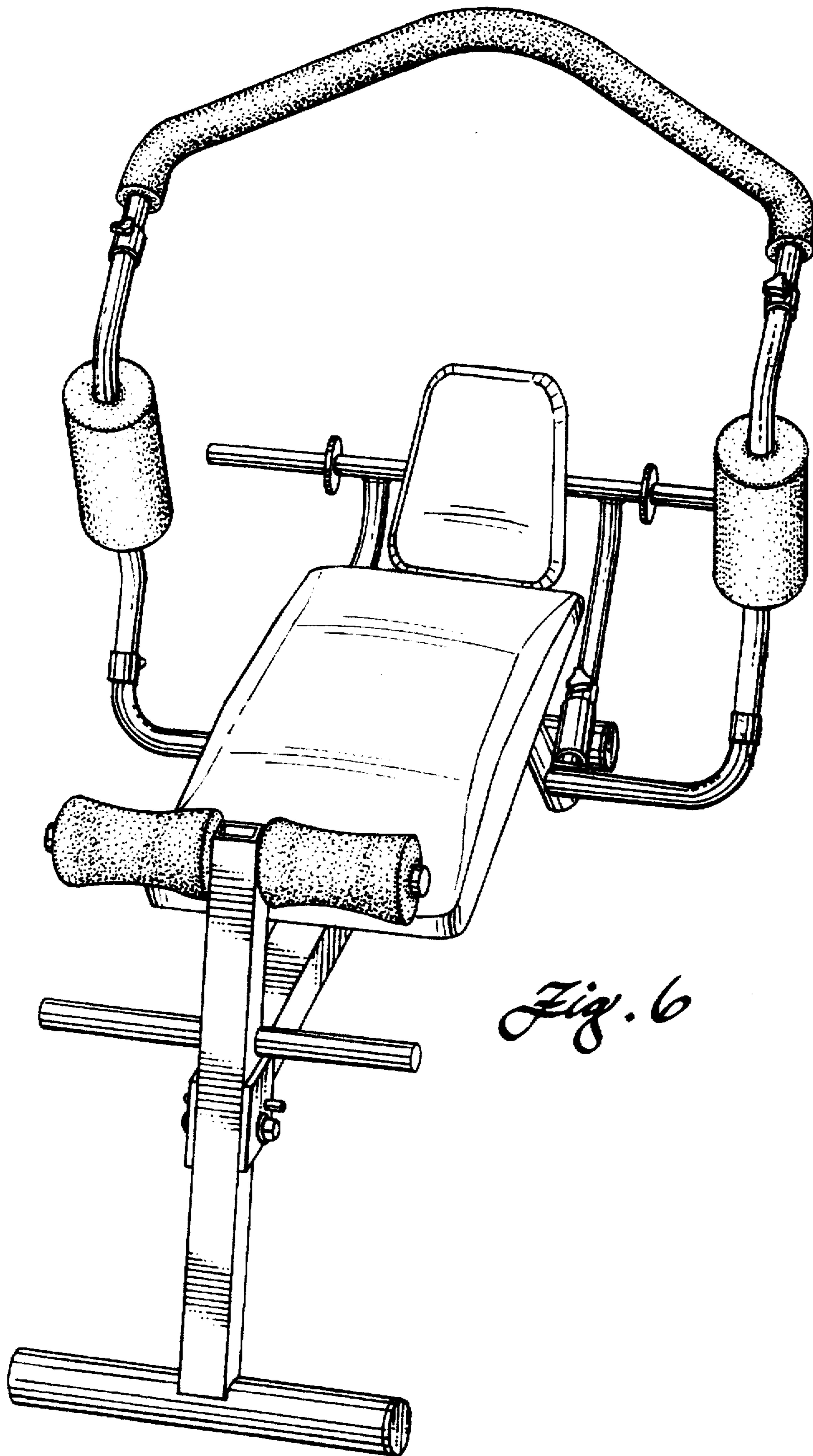


Fig. 6