



US00D393890S

United States Patent [19]

[11] Patent Number: **Des. 393,890**

Biliouris

[45] Date of Patent: ****Apr. 28, 1998**

[54] **COMBINATION BICYCLE EXERCISER AND HEALTH FOOTREST**

3,525,522	8/1970	Piller	482/146
4,949,954	8/1990	Hix	482/60
5,108,092	4/1992	Hurst	482/60
5,312,312	5/1994	Fernandez et al.	482/60
5,472,396	12/1995	Brazaitis	482/57

[76] Inventor: **Jean A. Biliouris**, 741 Albany Ave.,
Ventura, Calif. 93004

Primary Examiner—Philip S. Hyder

[**] Term: **14 Years**

[57] CLAIM

[21] Appl. No.: **49,557**

The ornamental design for a combination bicycle exerciser and health footrest, as shown and described.

[22] Filed: **Jan. 29, 1996**

DESCRIPTION

[51] LOC (6) Cl. **21-02**

[52] U.S. Cl. **D21/194**

[58] Field of Search D21/191, 192,
D21/193, 194, 195; 482/51, 57, 58, 60,
63, 79, 80

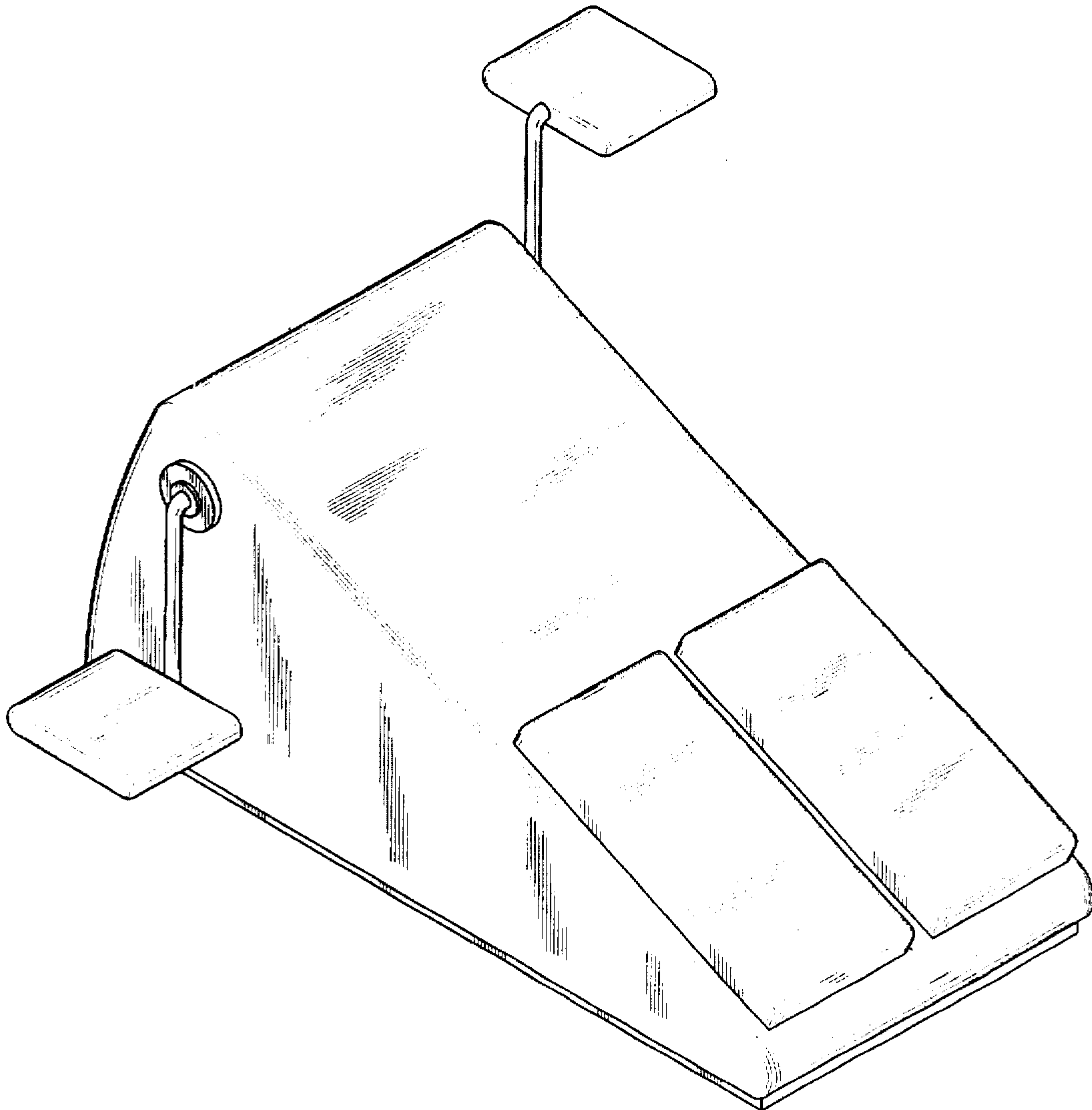
FIG. 1 is a front elevational view of the combination bicycle exerciser and health footrest showing my new design; FIG. 2 is a rear elevational view thereof; FIG. 3 is a left side elevational view thereof; FIG. 4 is a right side elevational view thereof; FIG. 5 is a top plan view thereof; FIG. 6 is a bottom plan view thereof; and, FIG. 7 is a perspective view of the present invention.

[56] References Cited

U.S. PATENT DOCUMENTS

D. 281,710	12/1985	Kirby	D21/194
D. 282,478	2/1986	Williams	D21/194
D. 298,266	10/1988	Reyneke	D21/191

1 Claim, 4 Drawing Sheets



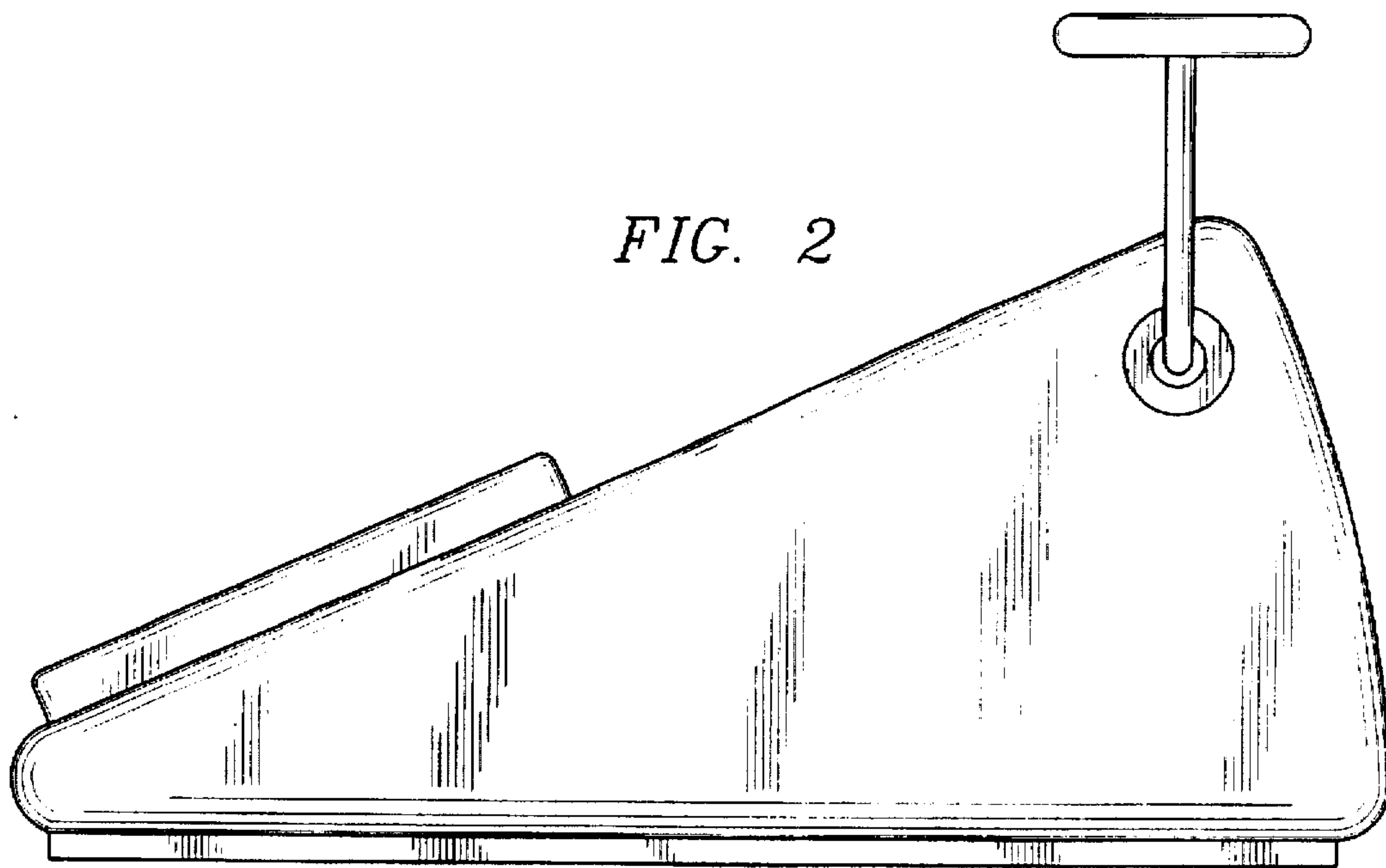
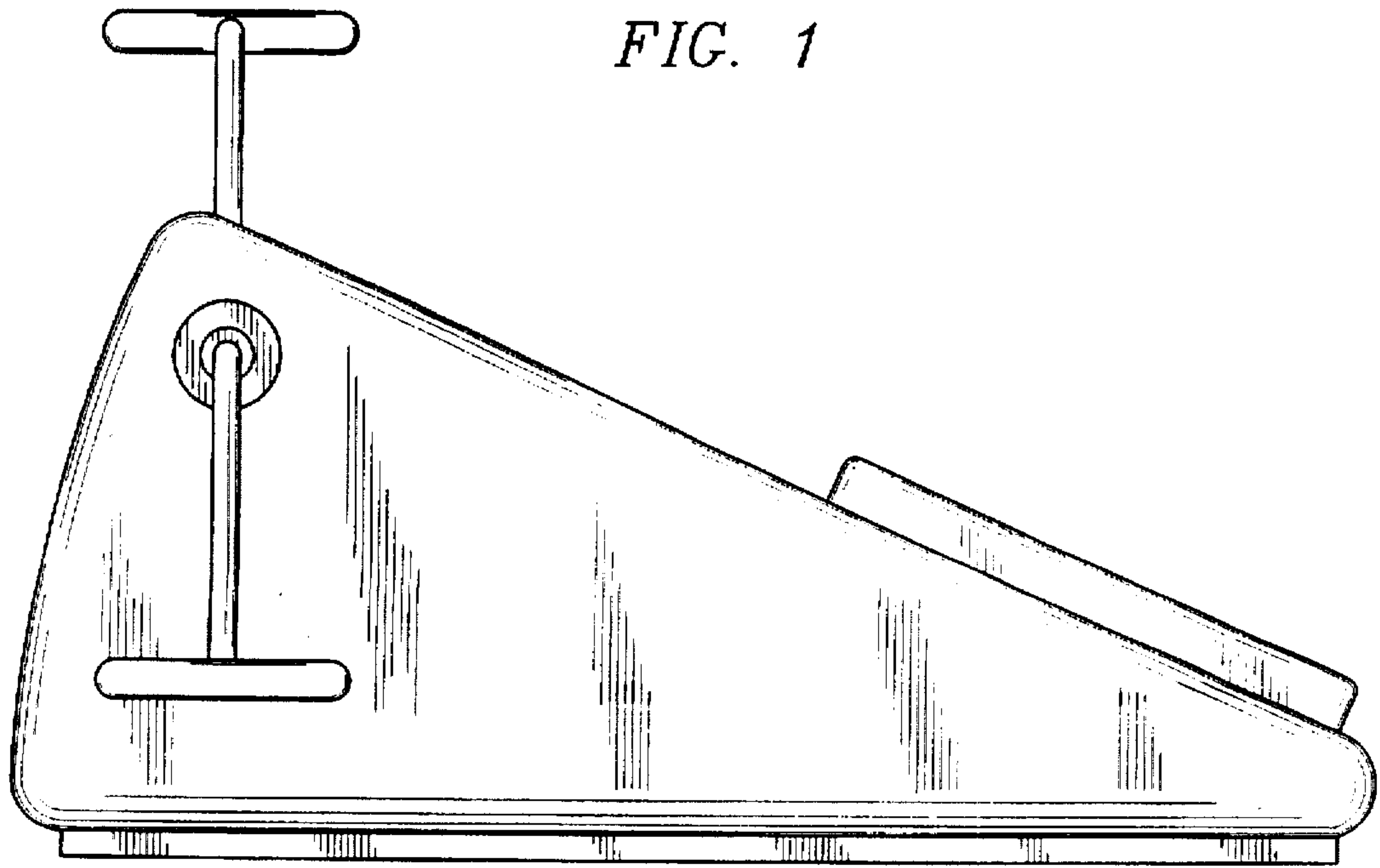


FIG. 3

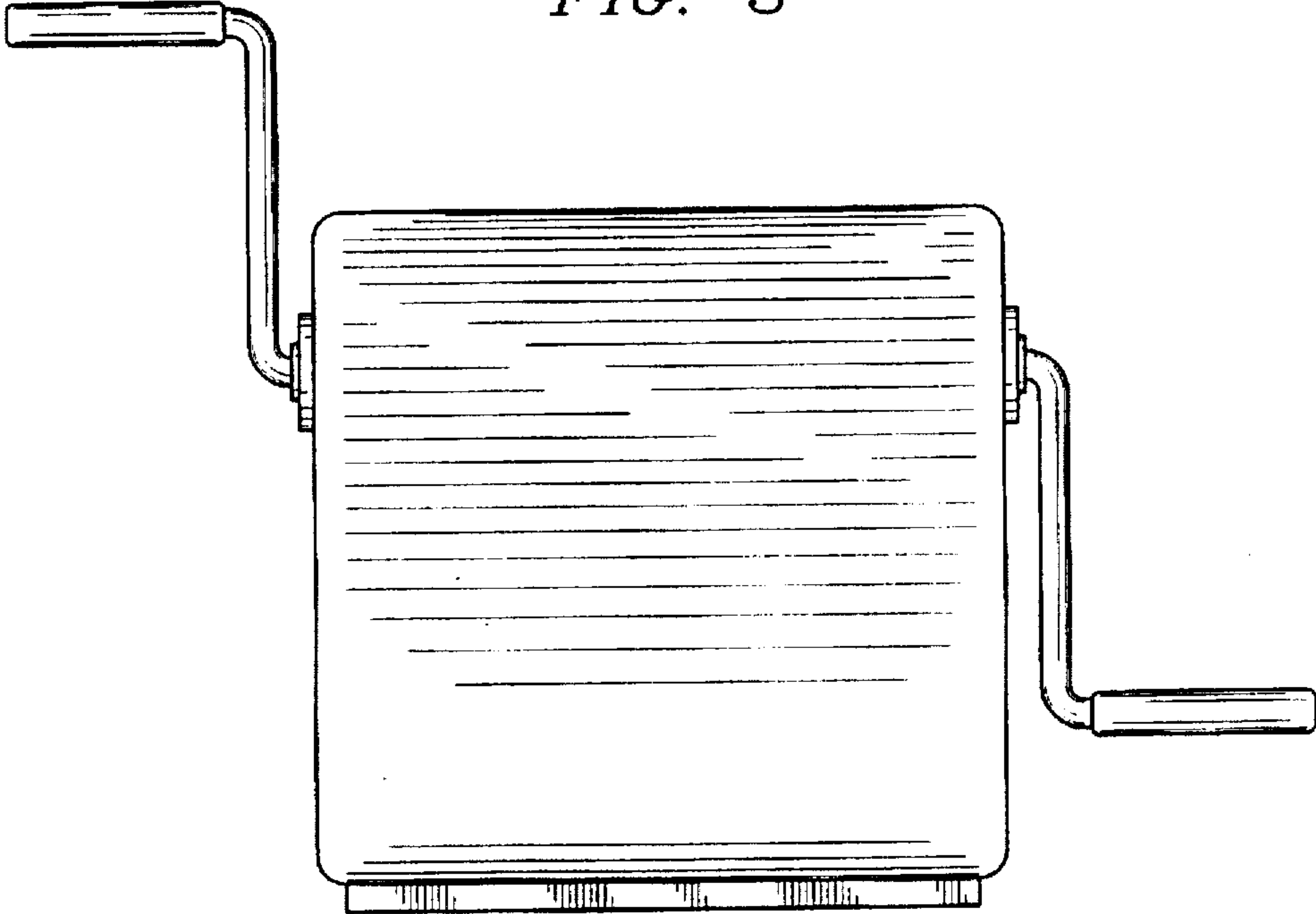


FIG. 4

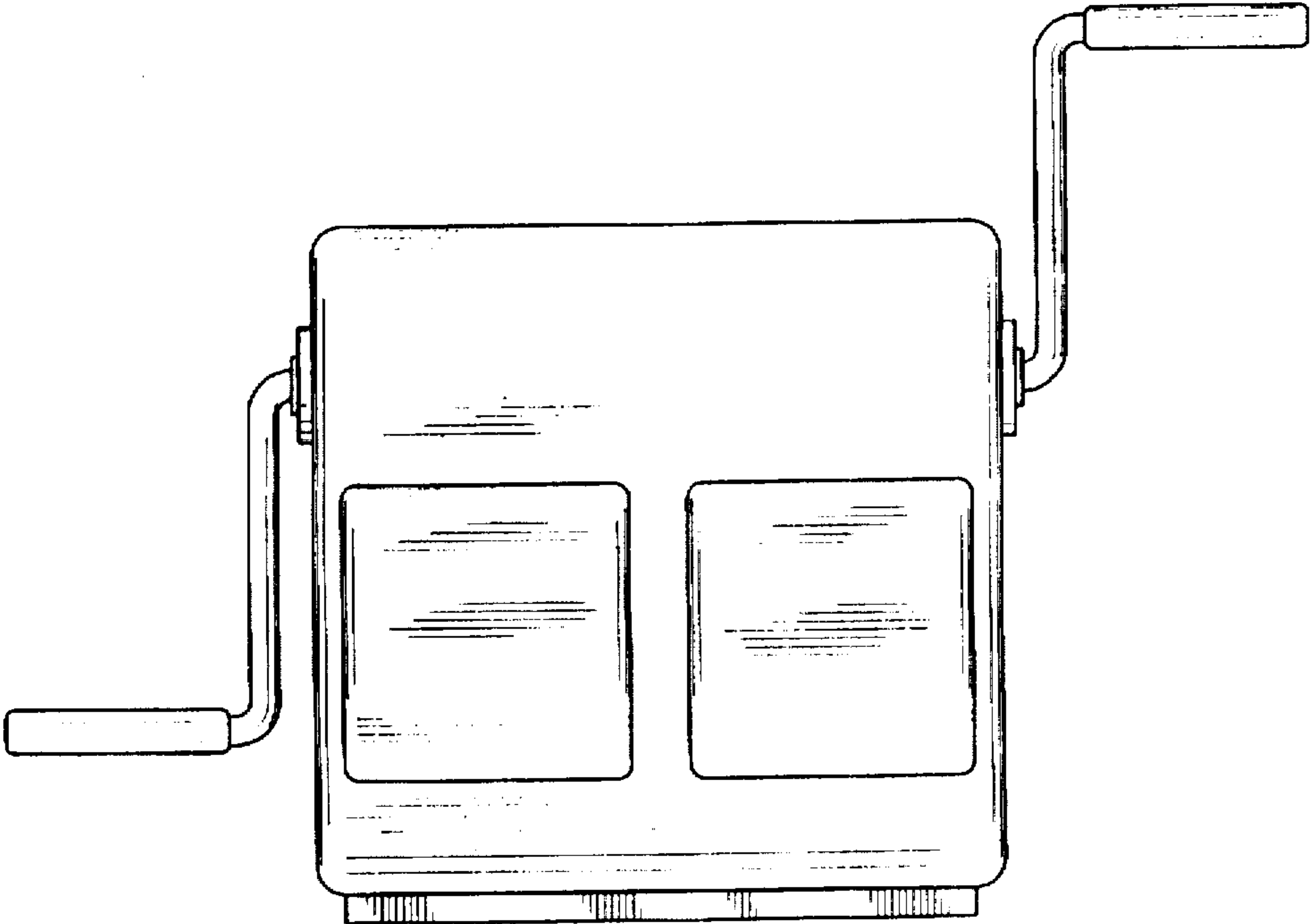


FIG. 5

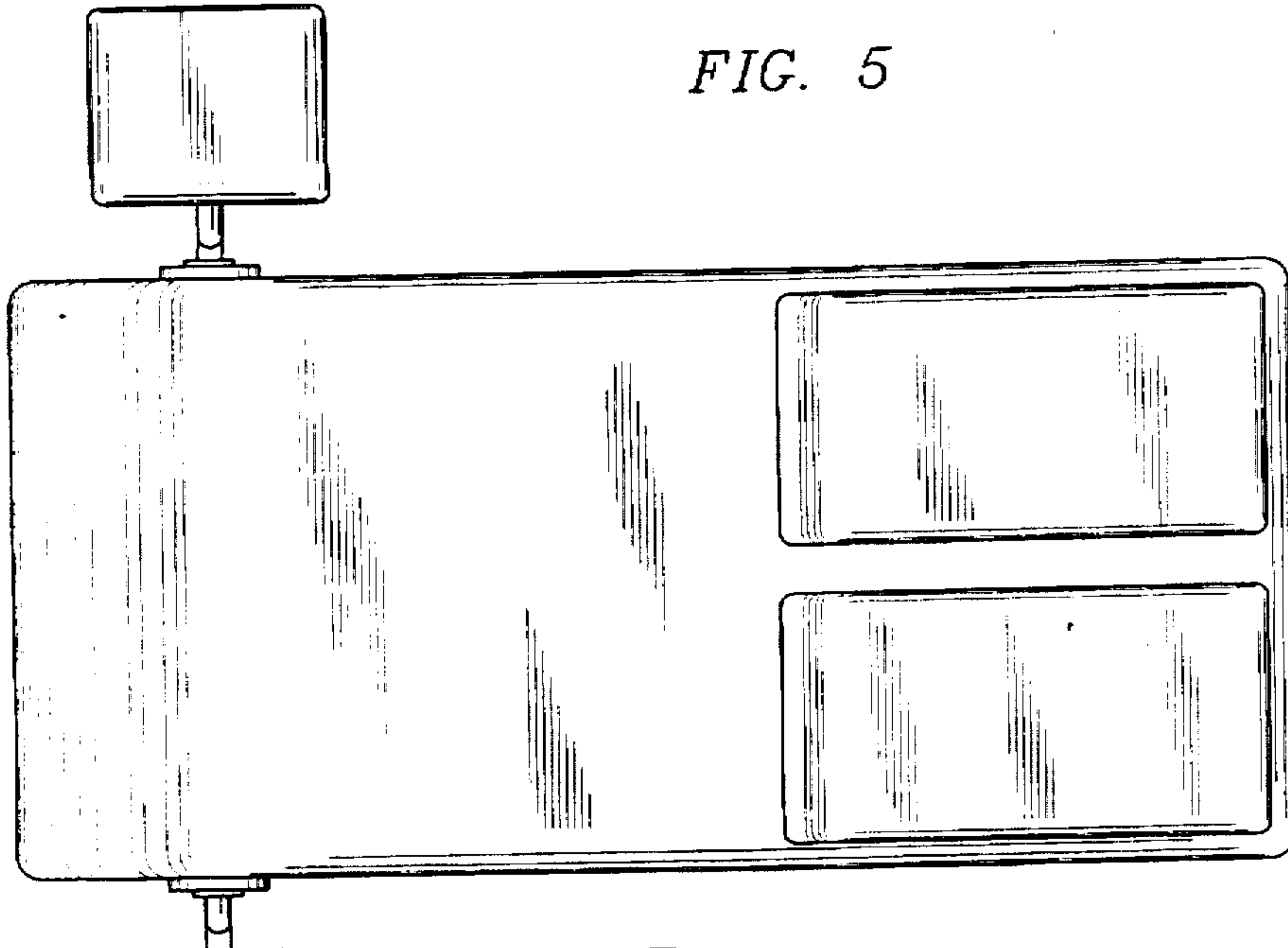


FIG. 6

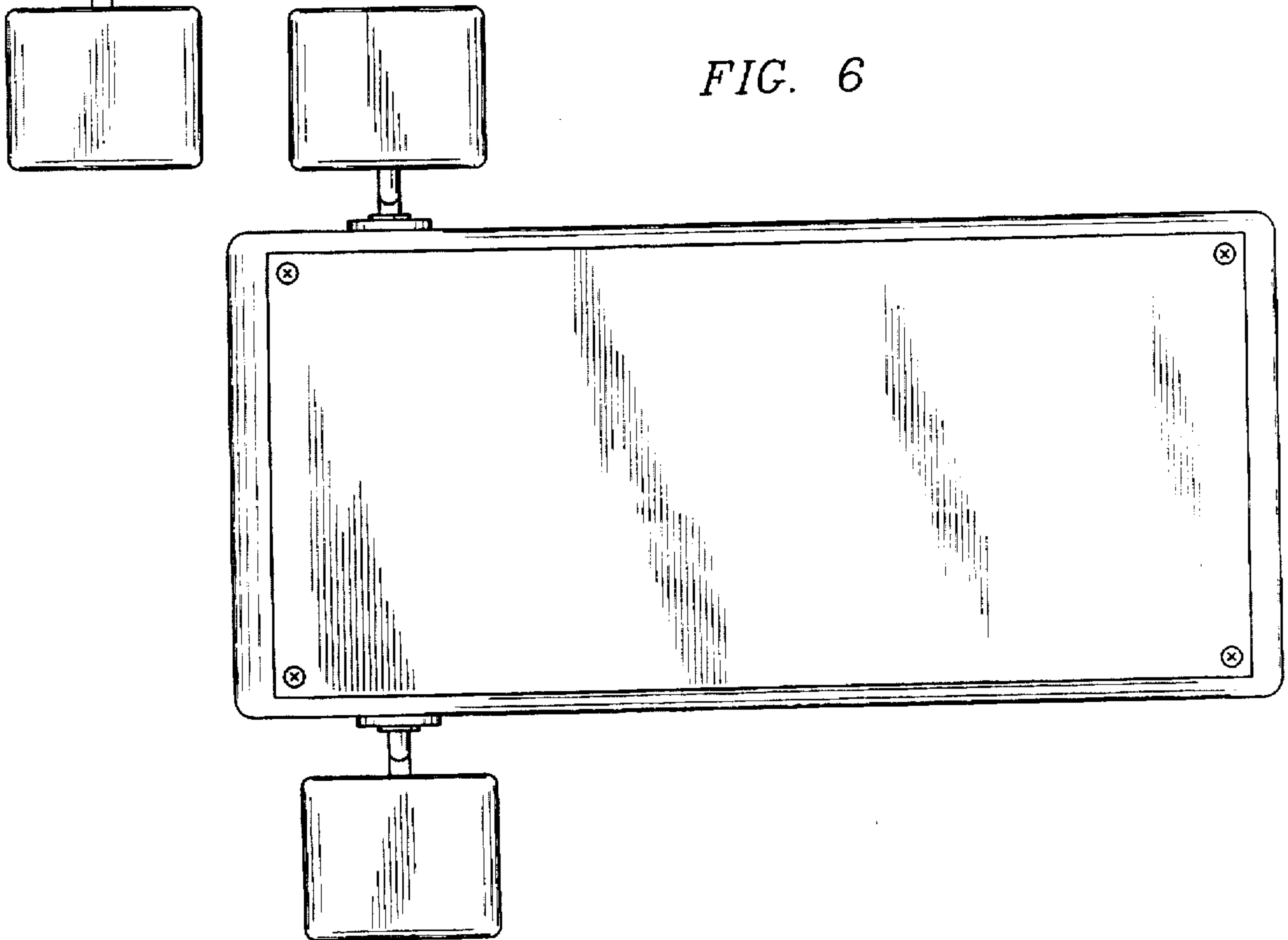


FIG. 7.

