



US00D393884S

**United States Patent** [19]  
**Hayami**

[11] **Patent Number: Des. 393,884**

[45] **Date of Patent: \*\*Apr. 28, 1998**

[54] **TV GAME MACHINE**

[75] **Inventor: Takayuki Hayami, Osaka, Japan**

[73] **Assignee: Matsushita Electric Industrial Co., Ltd., Japan**

[\*\*] **Term: 14 Years**

[21] **Appl. No.: 69,148**

[22] **Filed: Mar. 31, 1997**

[30] **Foreign Application Priority Data**

Oct. 8, 1996 [JP] Japan ..... 8-30452

[51] **LOC (6) Cl. .... 21-01**

[52] **U.S. Cl. .... D21/48**

[58] **Field of Search .... D21/1, 13, 48;  
273/148 B; 463/1, 30-35, 43-47; D14/125,  
126, 114**

[56] **References Cited**

**U.S. PATENT DOCUMENTS**

- D. 333,686 3/1993 Barr et al. .... D21/48
- D. 362,869 10/1995 Oikawa ..... D21/13
- D. 376,823 12/1996 Ikenaga ..... D21/13
- D. 377,665 1/1997 Saddler et al. .... D21/13 X
- 4,539,222 9/1985 Smith, III et al. .... 463/44 X
- 4,589,659 5/1986 Yokoi et al. .... 463/47 X

**FOREIGN PATENT DOCUMENTS**

406054962 3/1994 Japan ..... 273/438

**OTHER PUBLICATIONS**

- Hong Kong Enterprise, p. 245, Oct. 1994.
- Nintendo's Nintendo64/64bit, Jun. 1996.
- Sega's Sega Saturn/32bit, Mar. 1996.
- Sony's Play Station/32bit, Dec. 1994.
- Panasonic's 3Do Real/32bit <FZ-10>, Nov. 1994.
- NEC's PC-FX/32bit, Dec. 1994.
- Nintendo's Super Famicom/16bit, Nov. 1990.

*Primary Examiner*—Prabhakar G. Deshmukh  
*Attorney, Agent, or Firm*—Saidman DesignLaw Group

[57] **CLAIM**

The ornamental design for a TV game machine, as shown.

**DESCRIPTION**

FIG. 1 is a perspective view of the front, one side and one end of a TV game machine showing my new design;  
 FIG. 2 is a top plan view thereof;  
 FIG. 3 is a front elevational view thereof;  
 FIG. 4 is a right side elevational view thereof;  
 FIG. 5 is a left side elevational view thereof;  
 FIG. 6 is a rear elevational view thereof;  
 FIG. 7 is a bottom plan view thereof; and  
 FIG. 8 is a perspective view similar to FIG. 1 with the lid in open position.

**1 Claim, 5 Drawing Sheets**

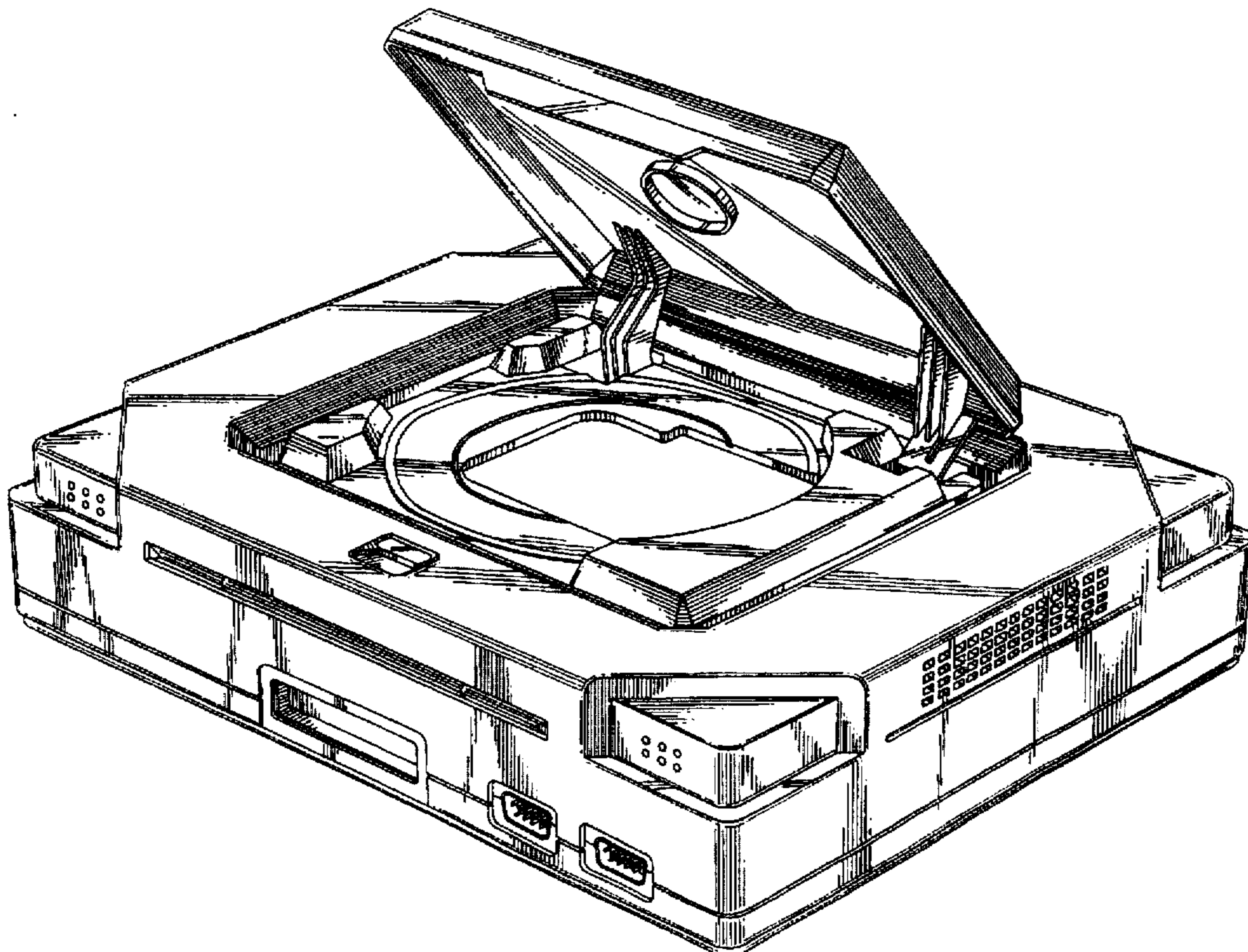


FIG. 1

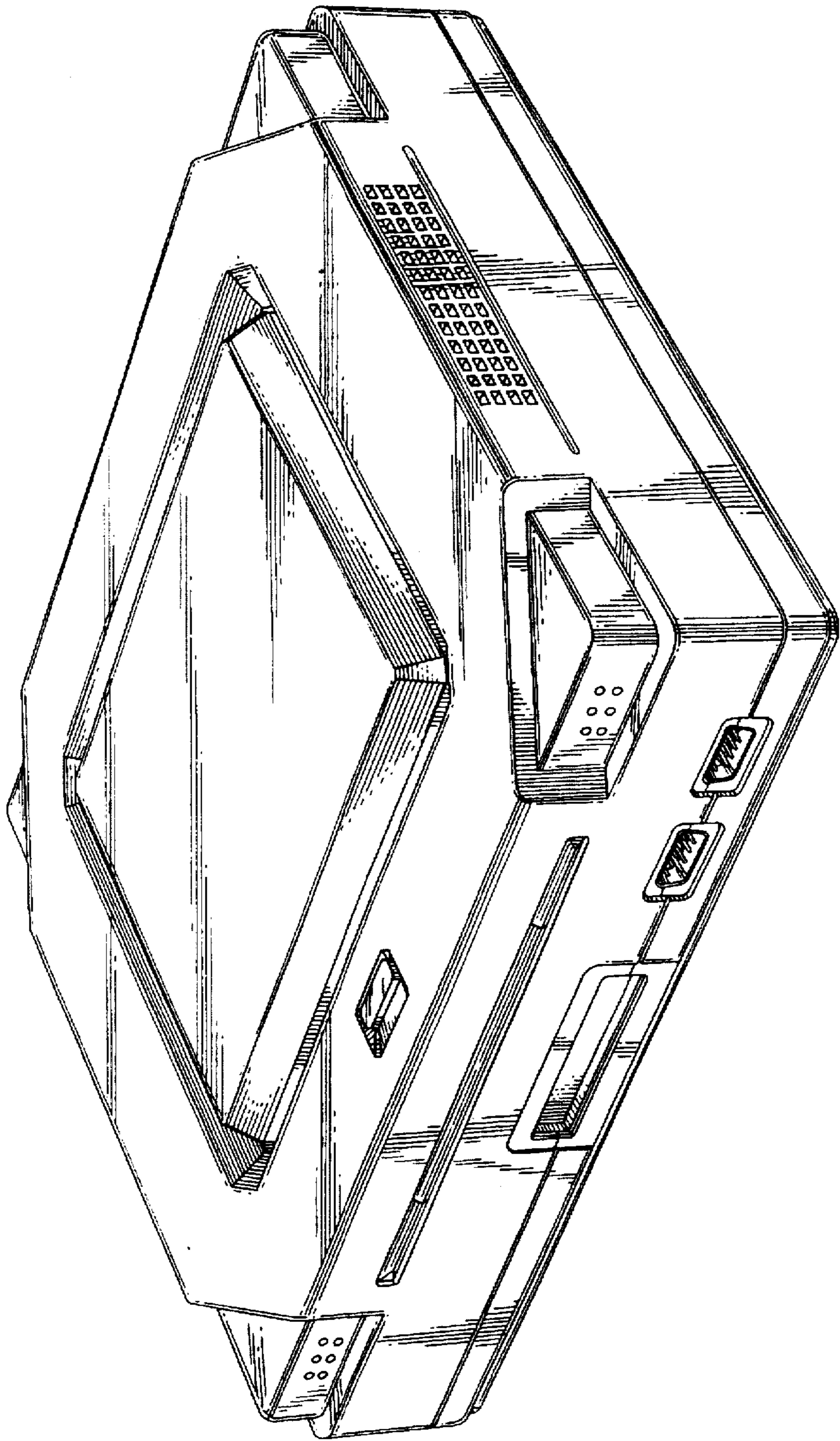


FIG. 2

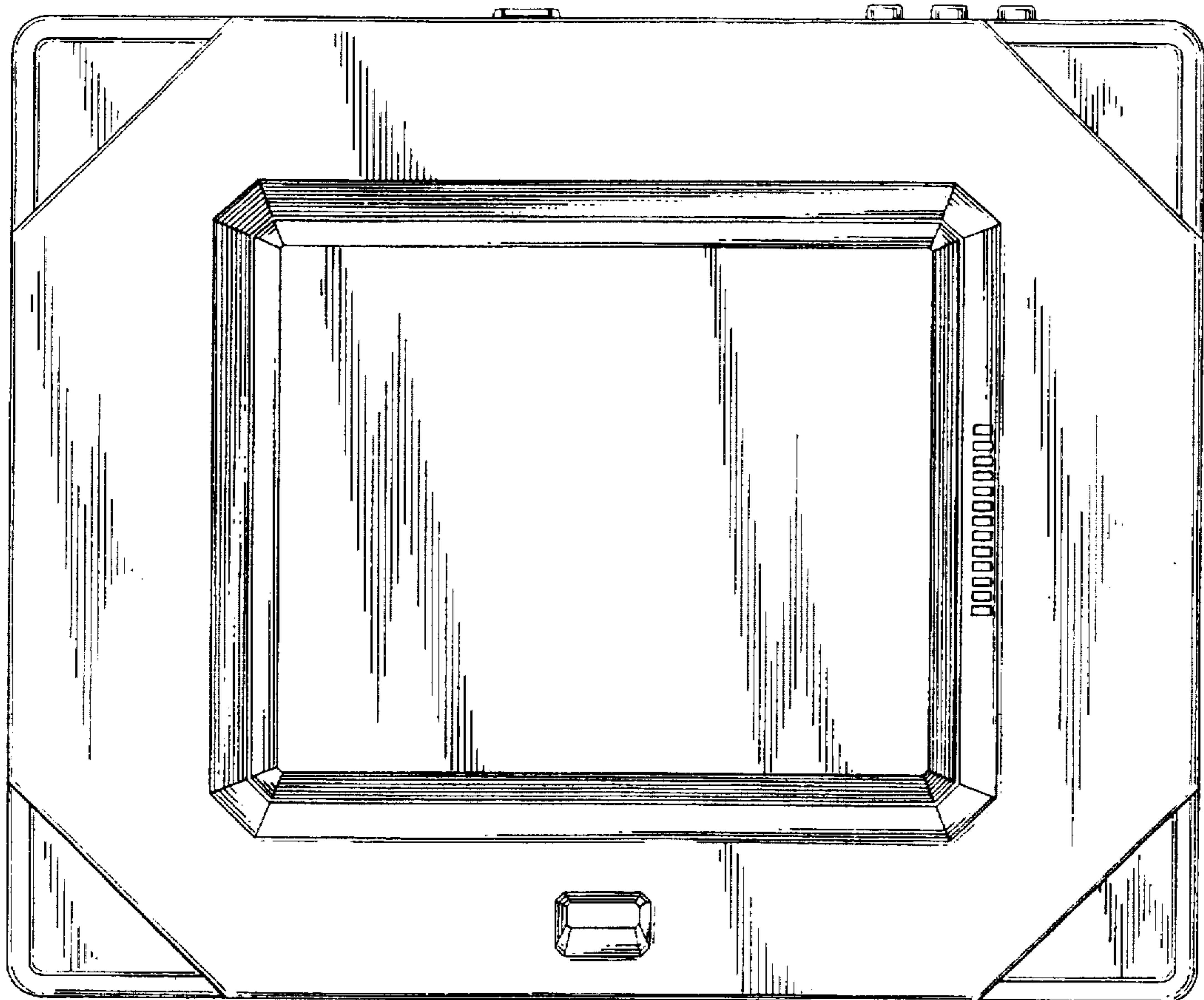


FIG. 3

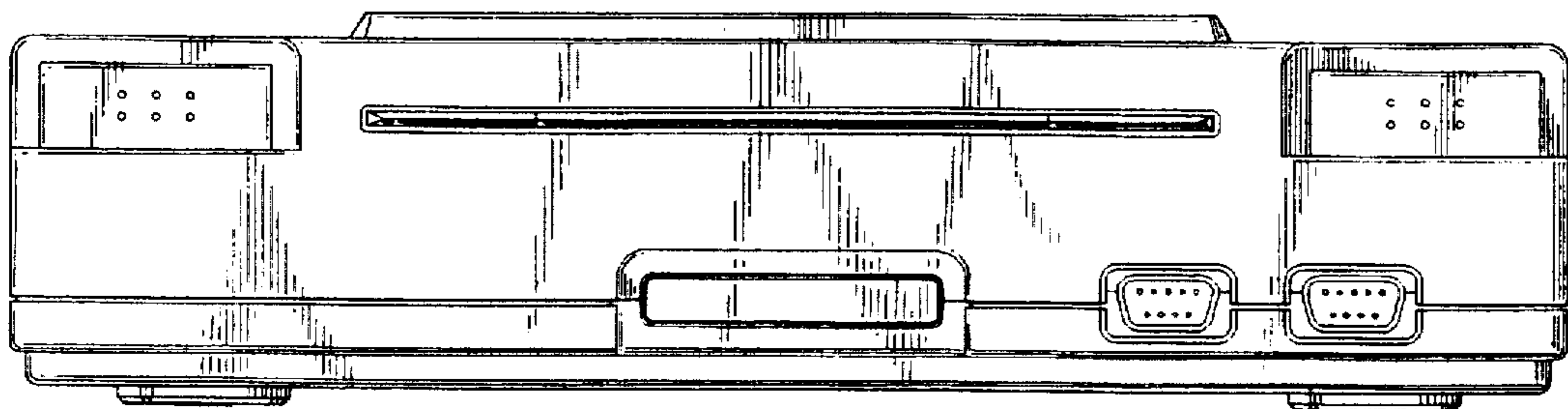


FIG. 4

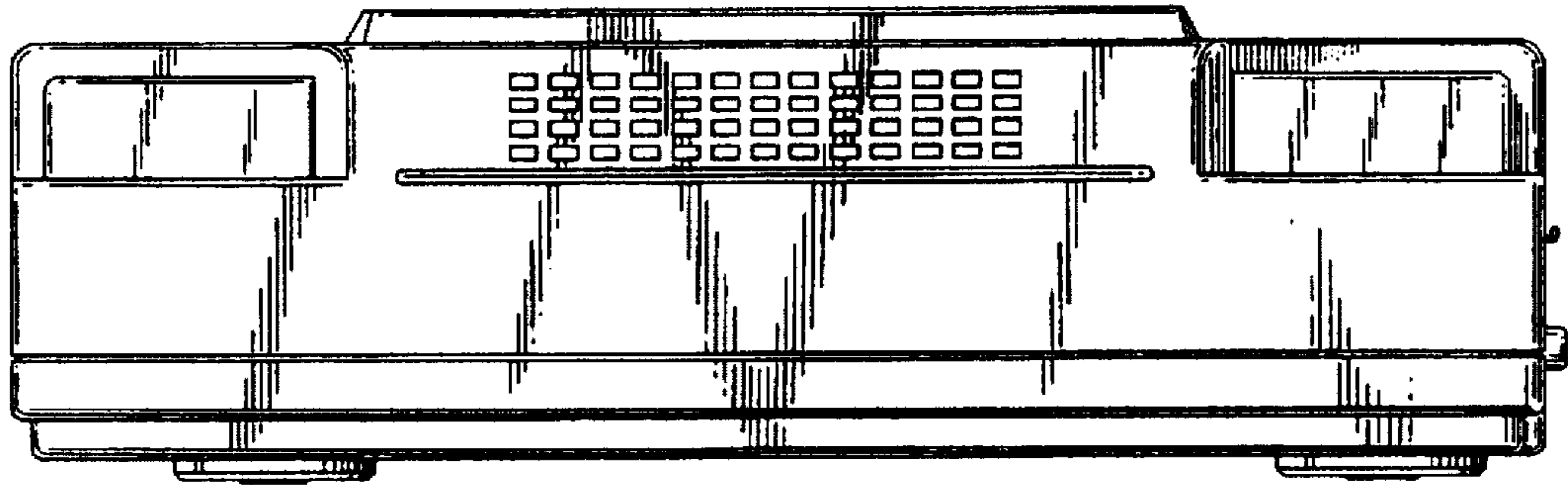


FIG. 5

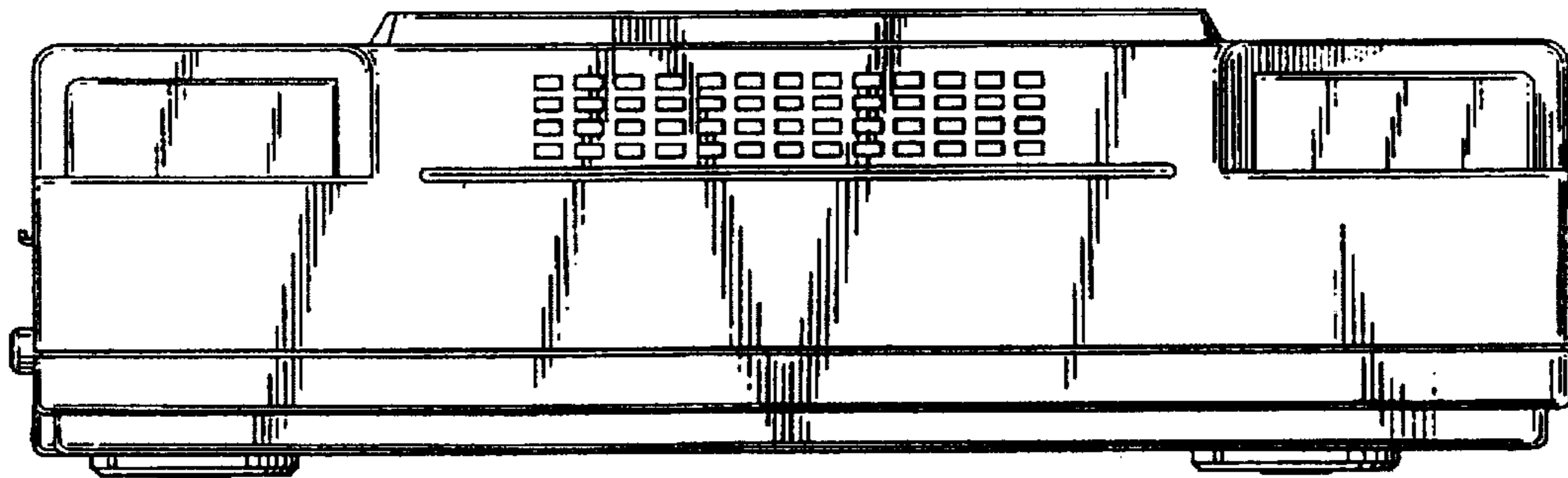


FIG. 6

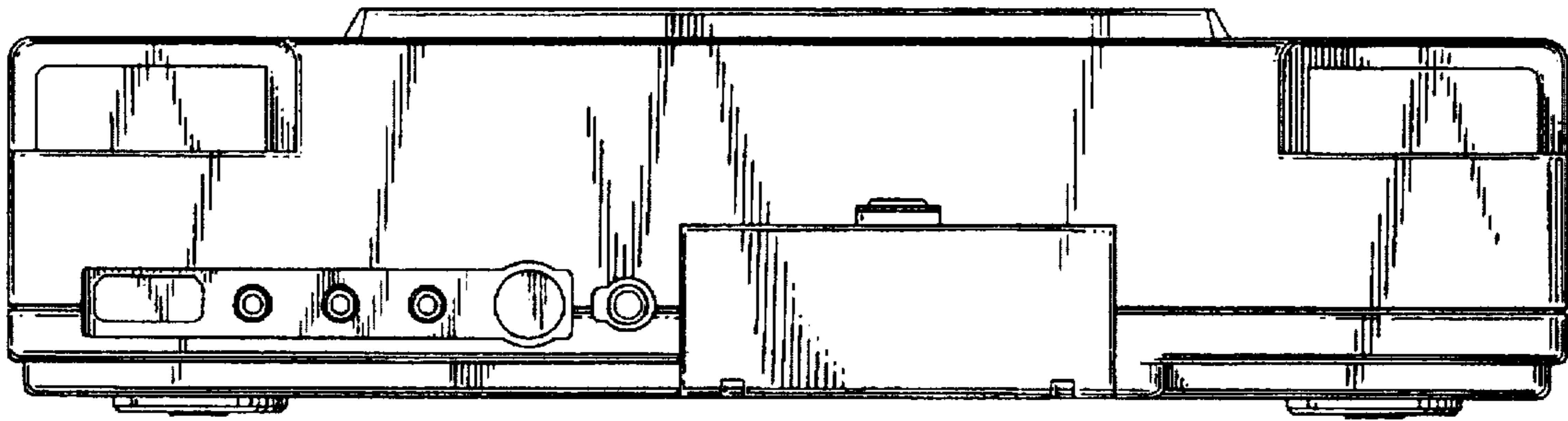


FIG. 7

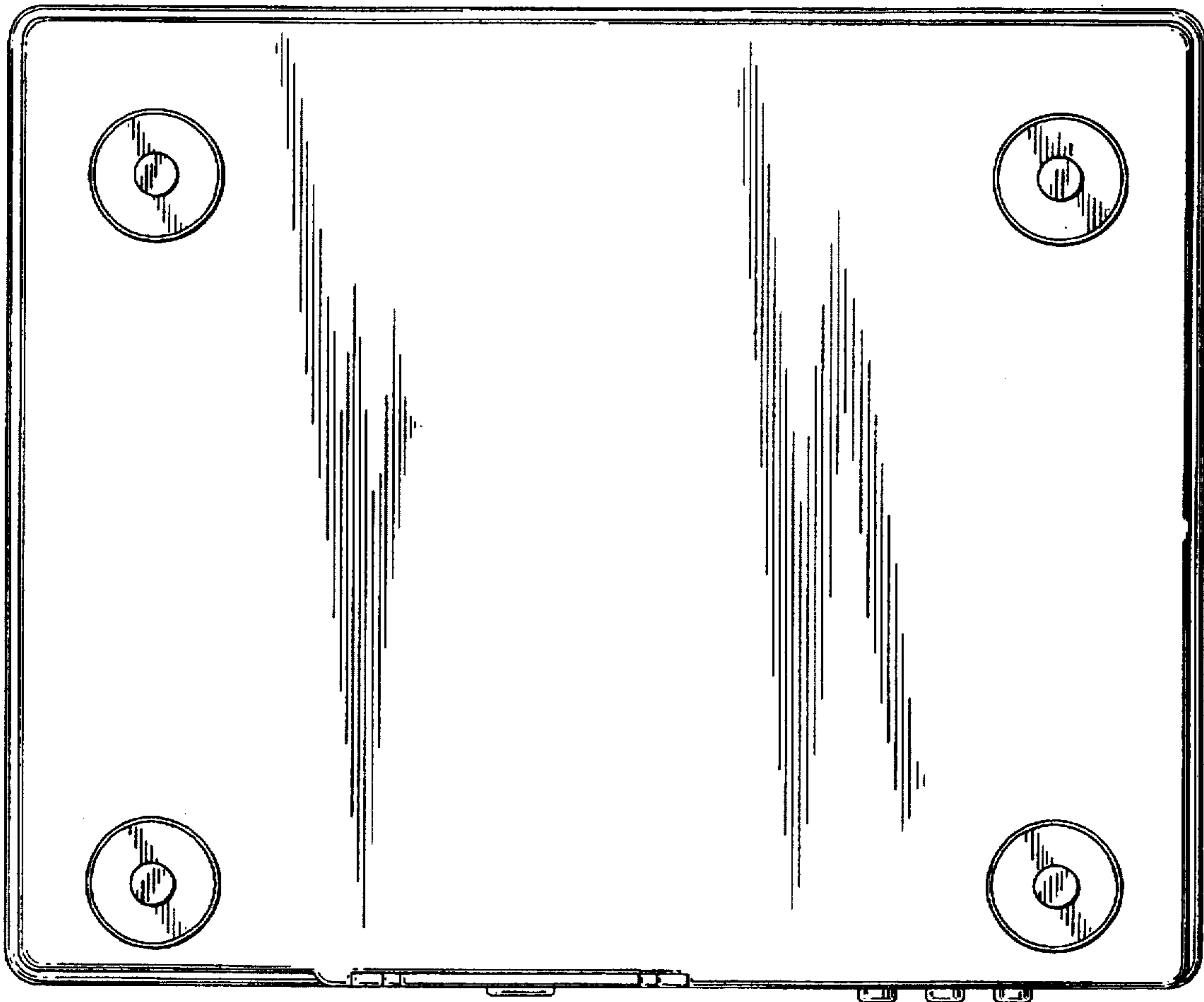


FIG. 8

