



US00D393882S

United States Patent [19]

[11] Patent Number: **Des. 393,882**

Alimonti

[45] Date of Patent: ****Apr. 28, 1998**

[54] **RANDOM NUMBER SELECTOR GAME DEVICE**

D. 378,383 3/1997 Jarrell D21/39

[76] Inventor: **Anthony Nino Alimonti**, 932½ Squires Ave., Endicott, N.Y. 13760

Primary Examiner—Ted Shooman
Assistant Examiner—Mitchell I. Siegel
Attorney, Agent, or Firm—Neil F. Markva

[**] Term: **14 Years**

[57] CLAIM

[21] Appl. No.: **70,071**

The ornamental design for a random number selector game device, as shown and described.

[22] Filed: **Apr. 28, 1997**

DESCRIPTION

[51] **LOC (6) Cl.** **21-01**

[52] **U.S. Cl.** **D21/39**

[58] **Field of Search** D21/37, 39; 273/161, 273/138 R, 139

FIG. 1 is a front elevational view of a random number selector game device showing my new design;
FIG. 2 is a bottom plan view thereof;
FIG. 3 is a top plan view thereof;
FIG. 4 is a rear elevational view thereof;
FIG. 5 is a right side elevational view thereof, the undisclosed opposite side being a mirror image; and,
FIG. 6 is a front elevational view taken on line 6—6 of FIG. 2.

[56] References Cited

U.S. PATENT DOCUMENTS

- D. 350,161 8/1994 McCormick D21/37
- D. 351,624 10/1994 Vasquez D21/37 X
- D. 359,767 6/1995 Scott D21/37
- D. 360,902 8/1995 Lee et al. D21/37

1 Claim, 3 Drawing Sheets

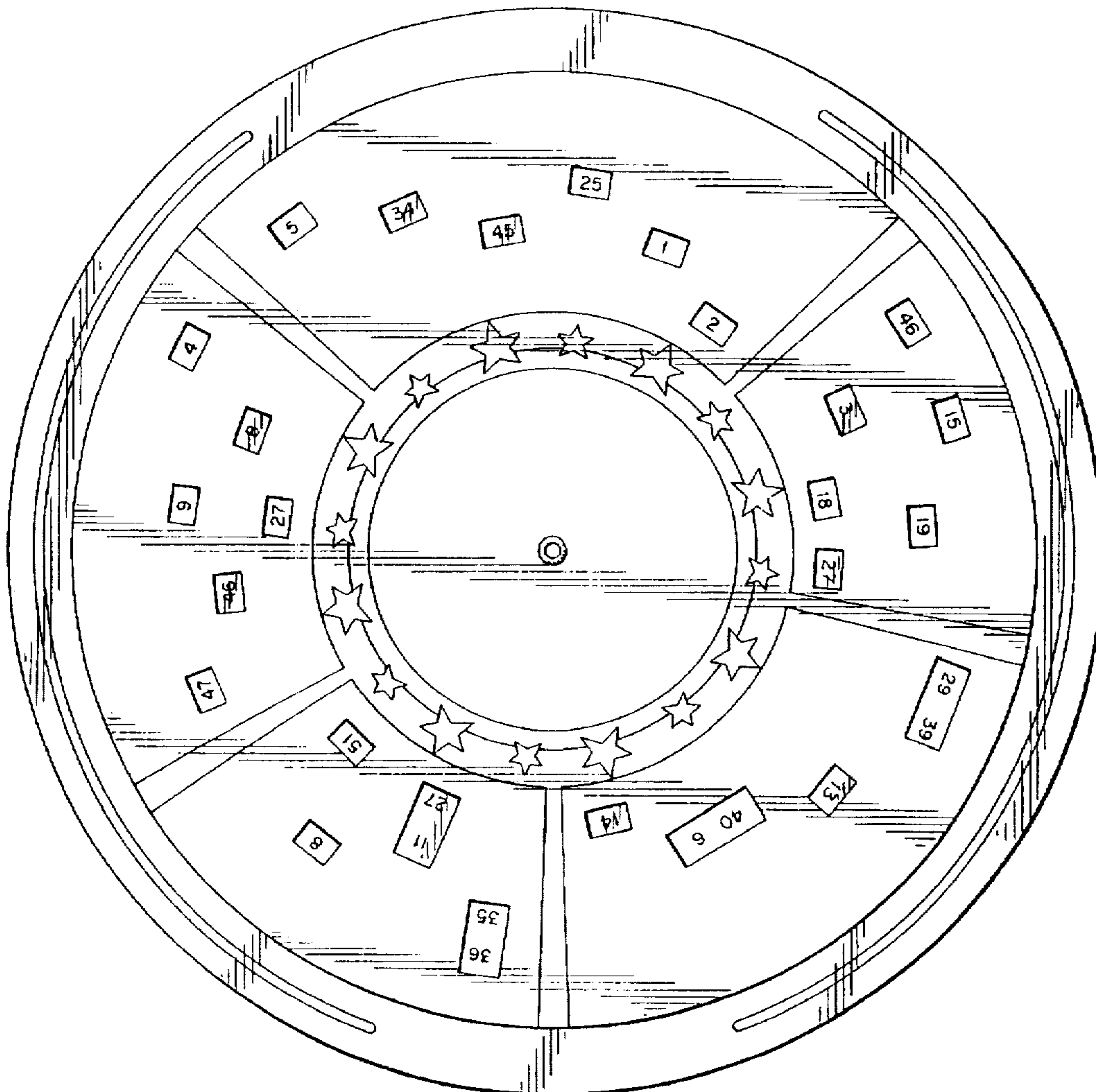


FIG. 1

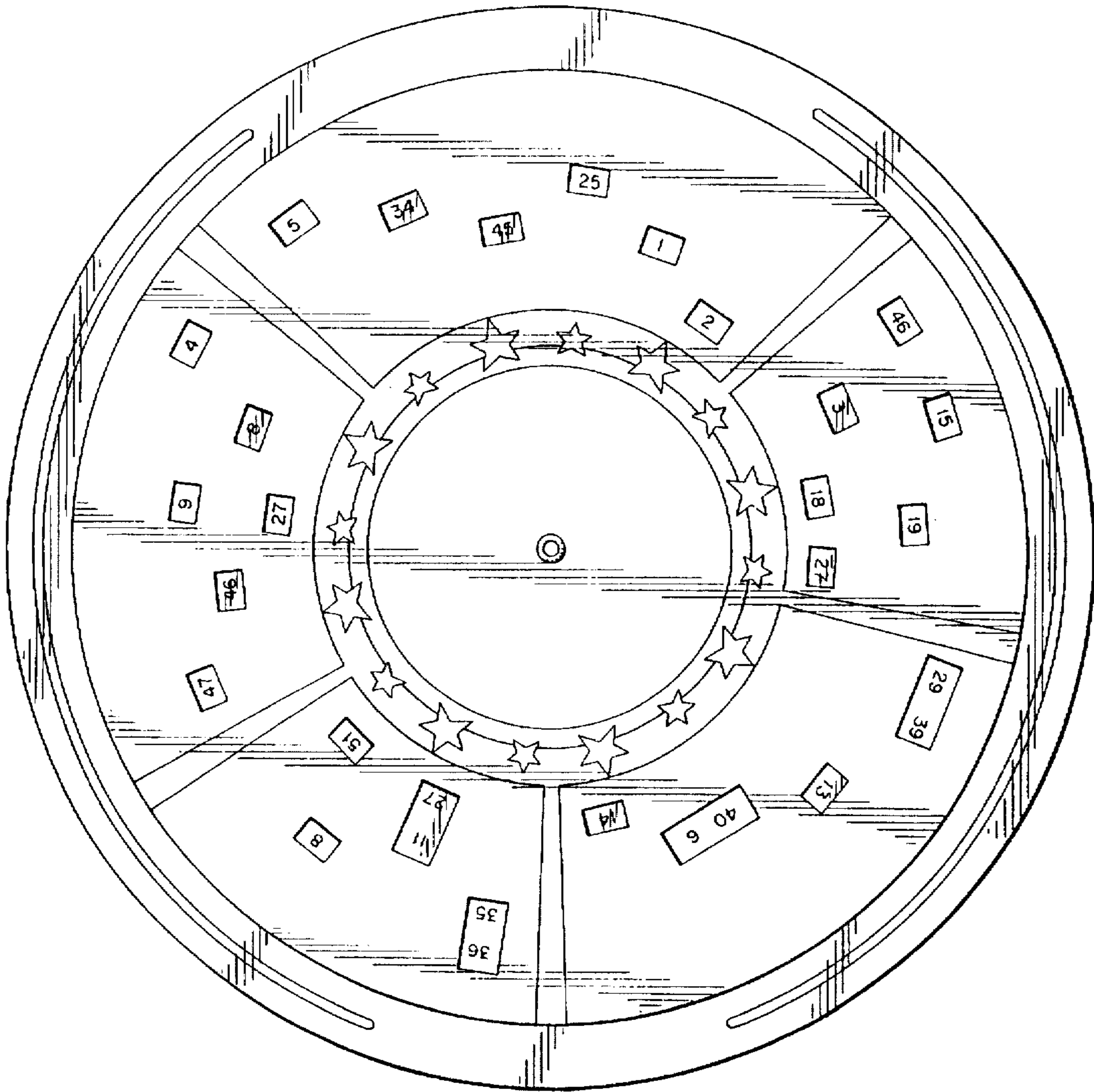


FIG. 2

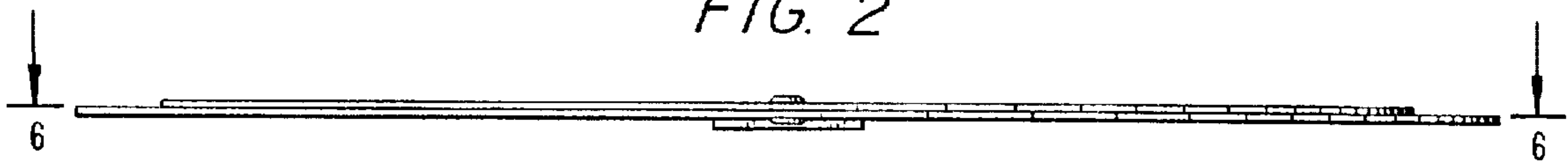


FIG. 3

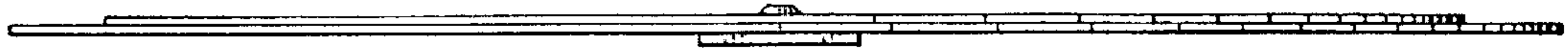


FIG. 4

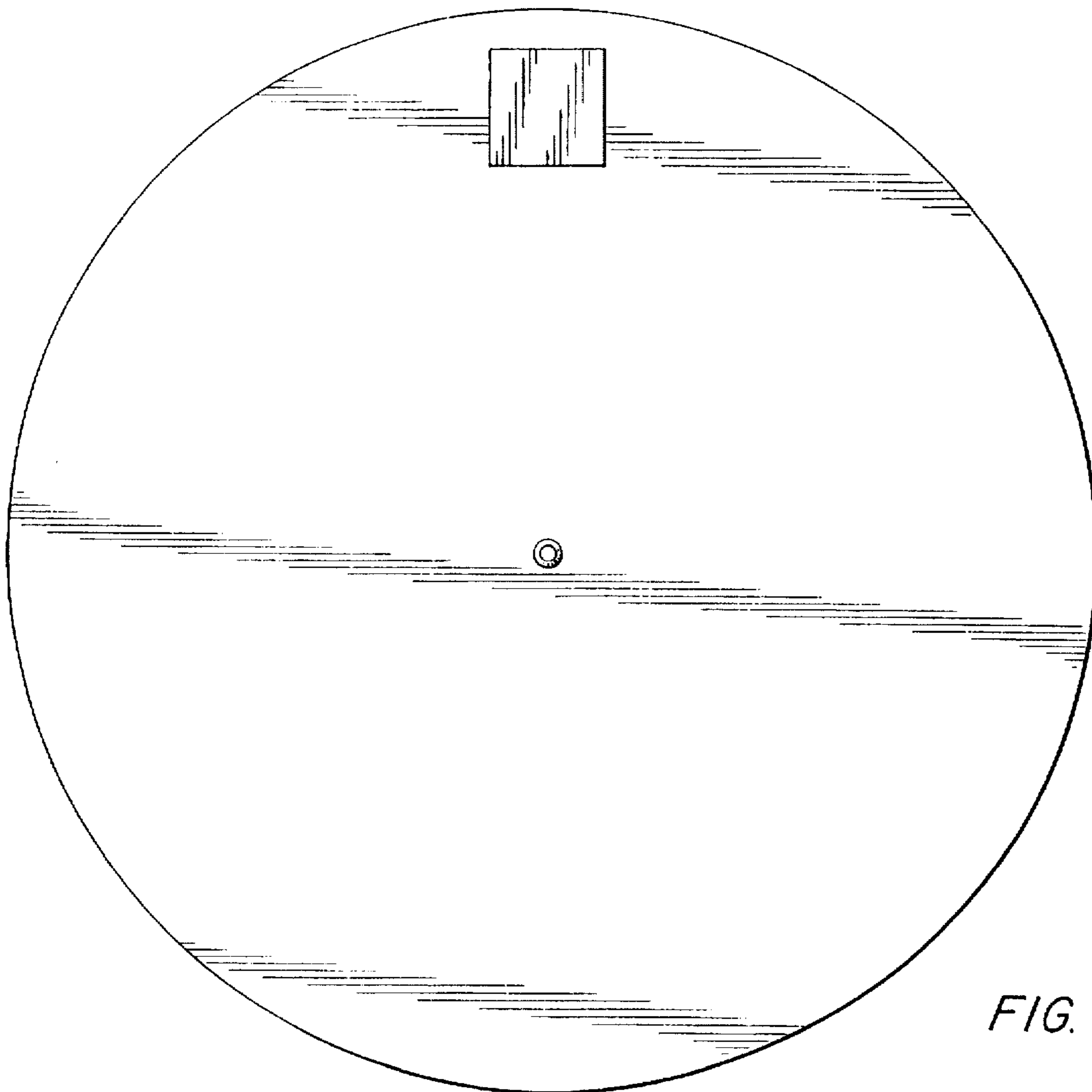


FIG. 5



FIG. 6

