



US00D393870S

United States Patent [19]

Kobayashi et al.

[11] Patent Number: **Des. 393,870**

[45] Date of Patent: ****Apr. 28, 1998**

[54] **INK JET PRINTER**

D. 378,926 4/1997 Dubson D18/50
5,387,043 2/1995 Fujioka et al. 400/691

[76] Inventors: **Masahiko Kobayashi; Hiromi Shishiuchi**, both of c/o Seiko Epson Corporation 3-5, Owa 3-chome, Suwa-shi, Nagano-ken, Japan

FOREIGN PATENT DOCUMENTS

67870 1/1991 Canada D18/55

[**] Term: **14 Years**

OTHER PUBLICATIONS

Lumina Brochure for the Lumina Series 2000 Fax/Printer; cover photo, 1994.
Mannesmann Tally brochure for the MT350/MT360 High Speed/Volume Pinter; cover photo, Apr. 1993.

[21] Appl. No.: **64,330**

[22] Filed: **Dec. 27, 1996**

Primary Examiner—Cathy Anne MacCormac
Attorney, Agent, or Firm—Stroock & Stroock & Lavan LLP

[30] **Foreign Application Priority Data**

Jun. 27, 1996 [JP] Japan 8-19142

[57] **CLAIM**

[51] **LOC (6) Cl.** **14-02**

[52] **U.S. Cl.** **D18/55**

[58] **Field of Search** D18/50, 54-55;
400/613, 613.1-613.4, 691-694, 690.1-690.4;
D14/111, 118

The ornamental design for a ink jet printer, as shown and described.

DESCRIPTION

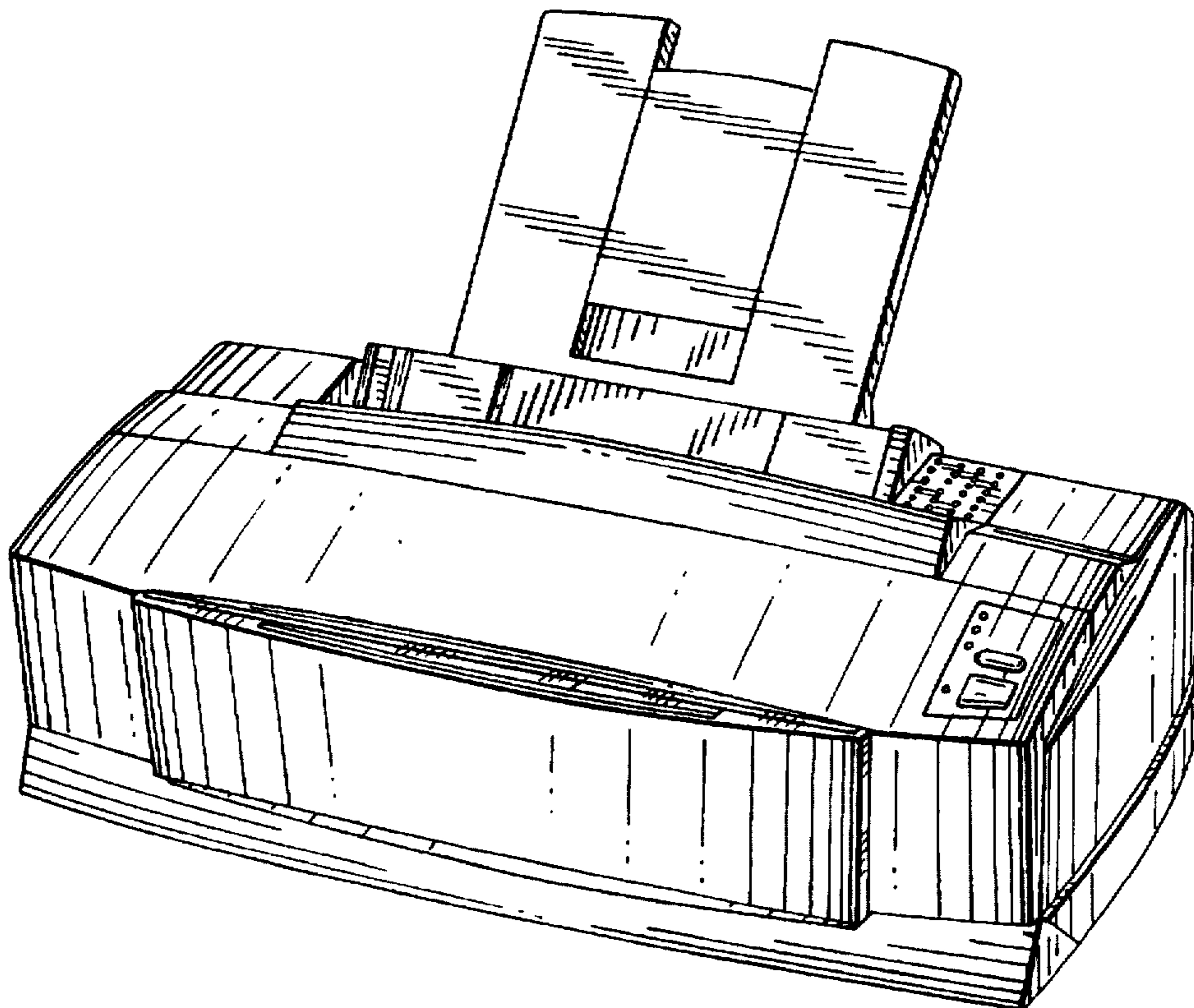
[56] **References Cited**

U.S. PATENT DOCUMENTS

D. 326,678 6/1992 Uchibori et al. D18/55
D. 333,153 2/1993 Uchibori et al. D18/55
D. 358,603 5/1995 Dodge et al. D18/55
D. 363,506 10/1995 Inukai D18/55
D. 367,882 3/1996 Parsey et al. D18/55
D. 370,025 5/1996 Weng D18/50
D. 370,026 5/1996 McGlashan D18/55
D. 376,141 12/1996 Takeuchi D14/118
D. 378,378 3/1997 Nakazawa et al. D18/54

FIG. 1 is a front perspective view of an ink jet printer showing our new design;
FIG. 2 is a top plan view thereof;
FIG. 3 is a side elevational view thereof;
FIG. 4 is a front elevational view thereof;
FIG. 5 is an opposite side elevational view thereof;
FIG. 6 is a rear elevational view thereof;
FIG. 7 is a bottom plan view thereof; and,
FIG. 8 is another front perspective view showing the paper receiving tray in an open position.

1 Claim, 5 Drawing Sheets



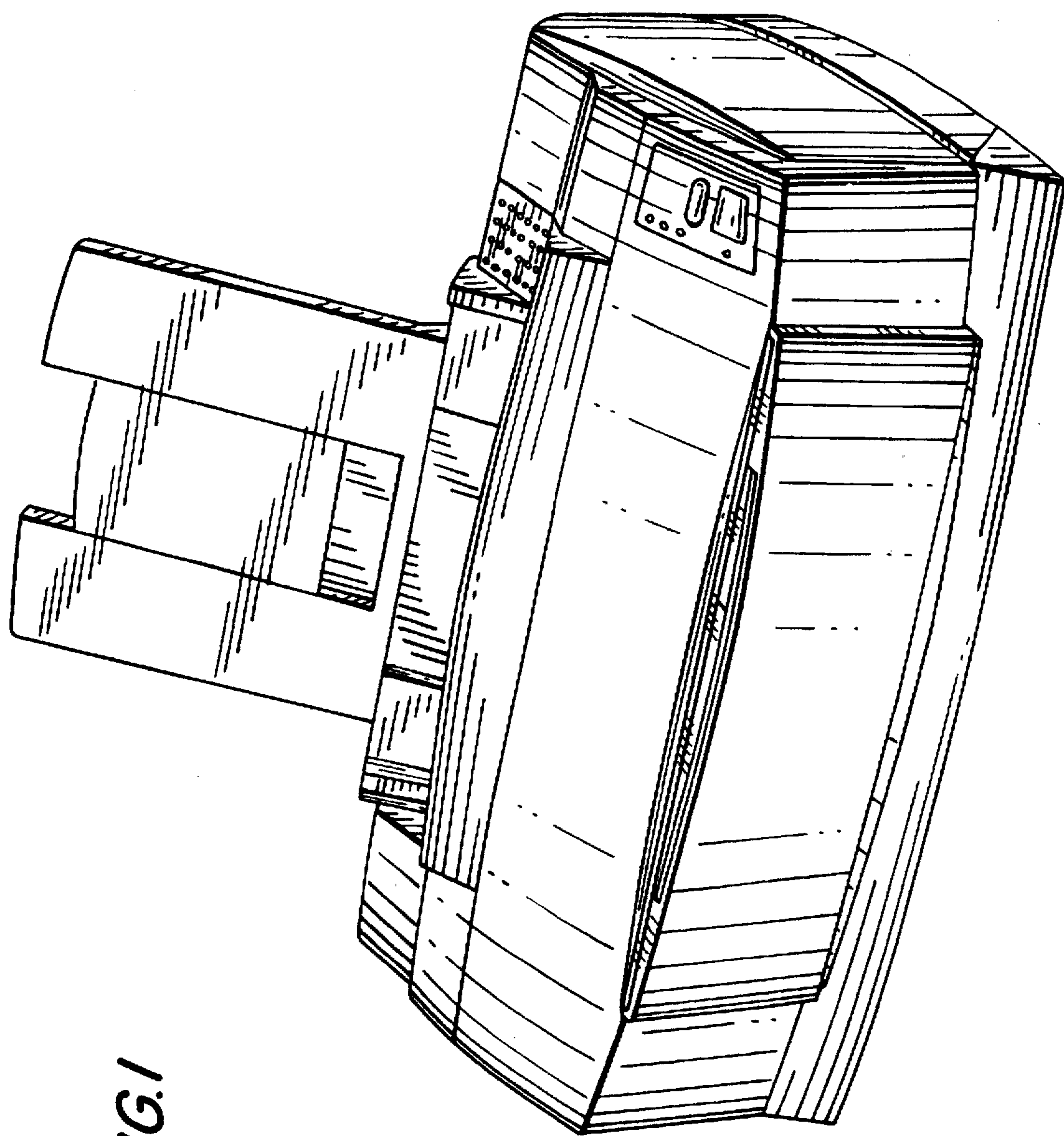


FIG. 1

FIG. 2

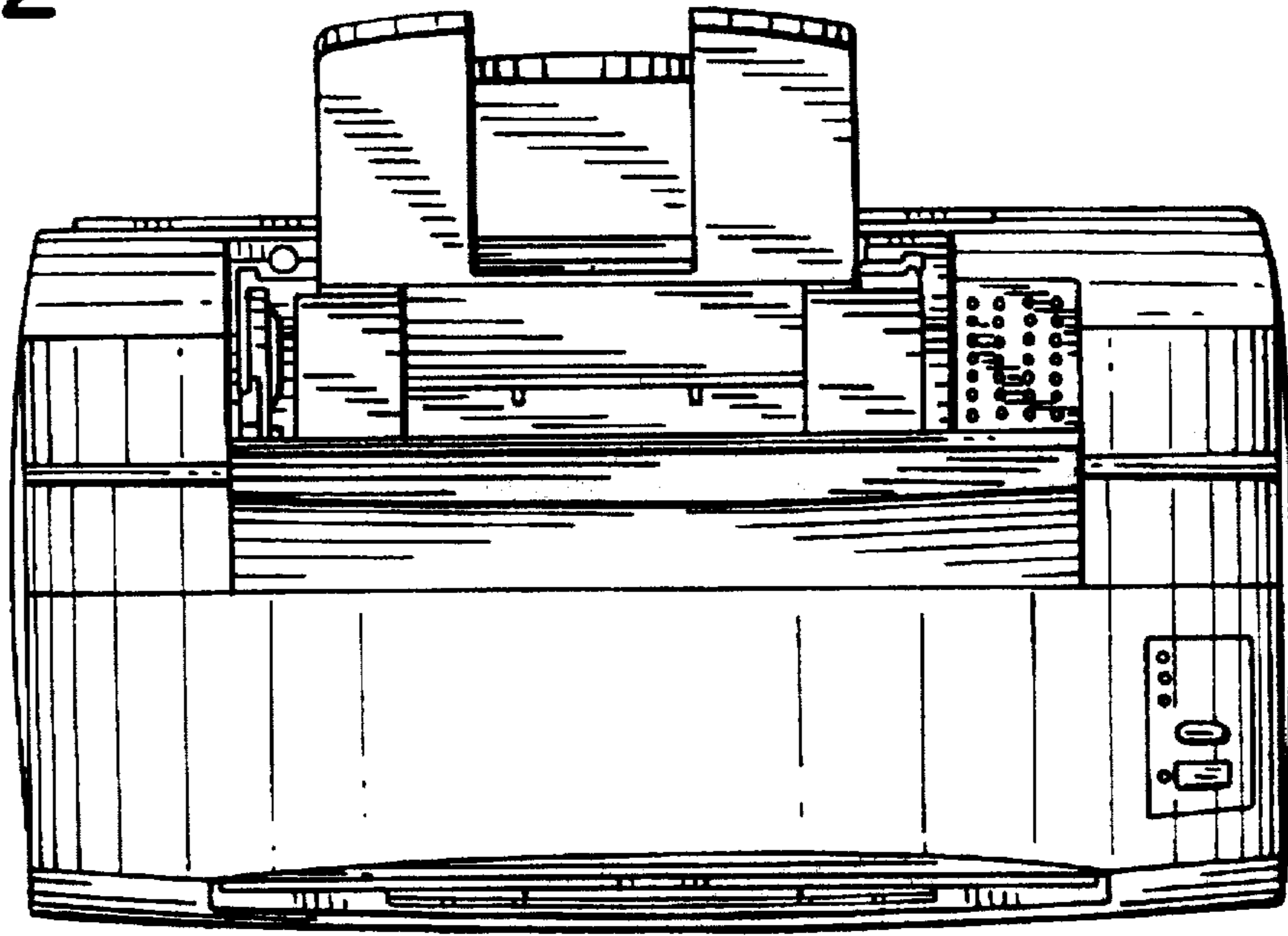


FIG. 3

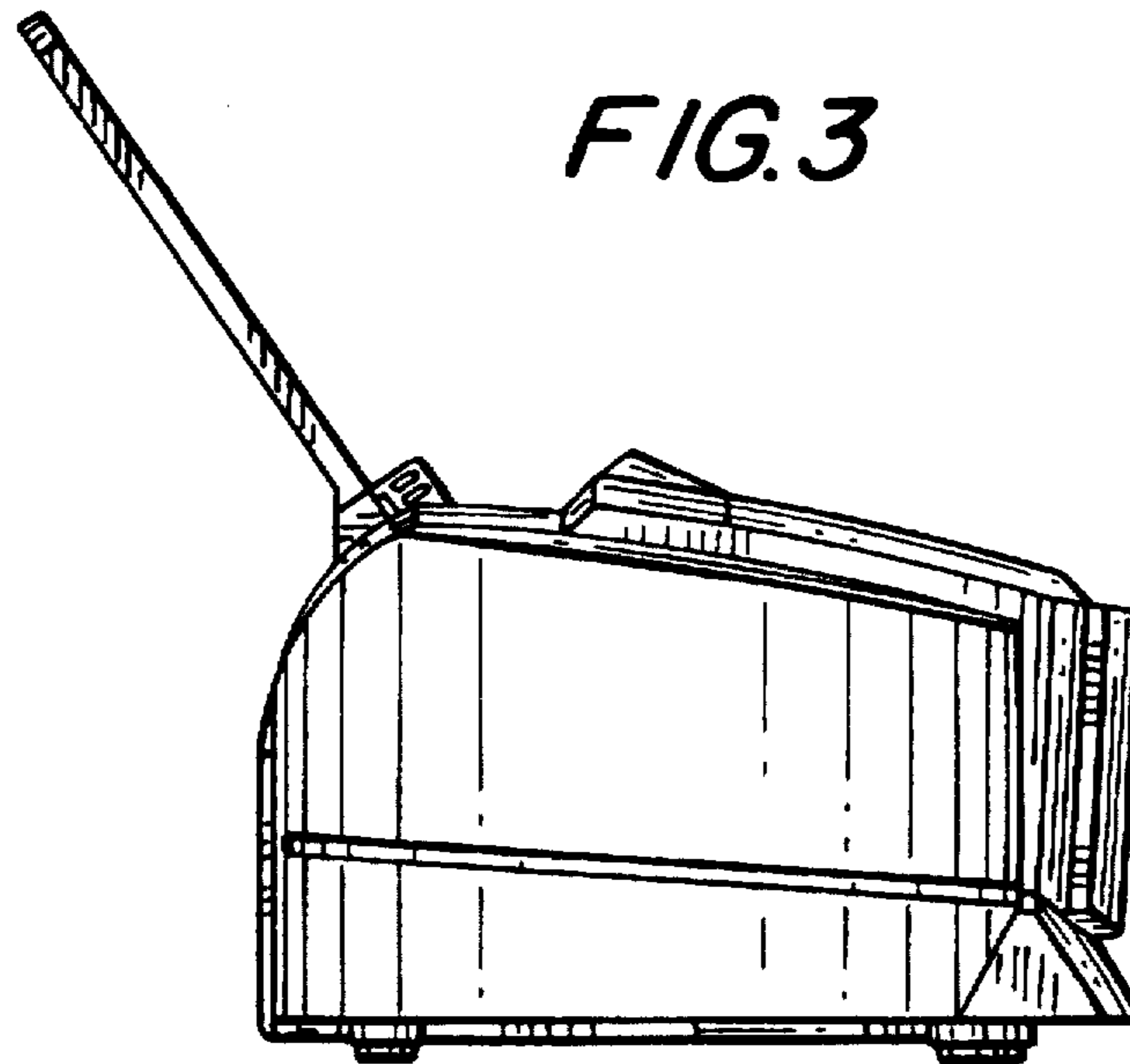


FIG. 5

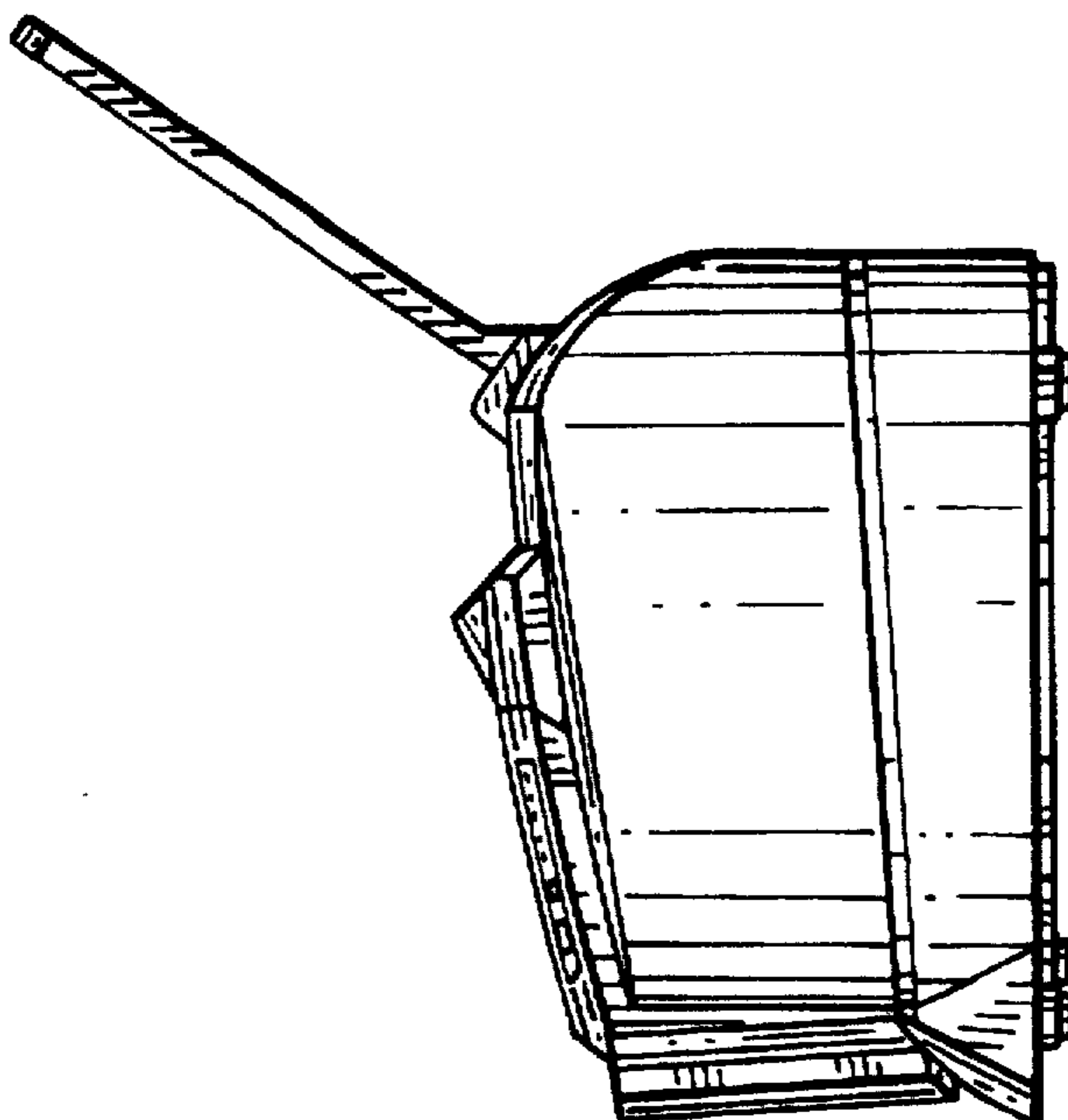


FIG. 4

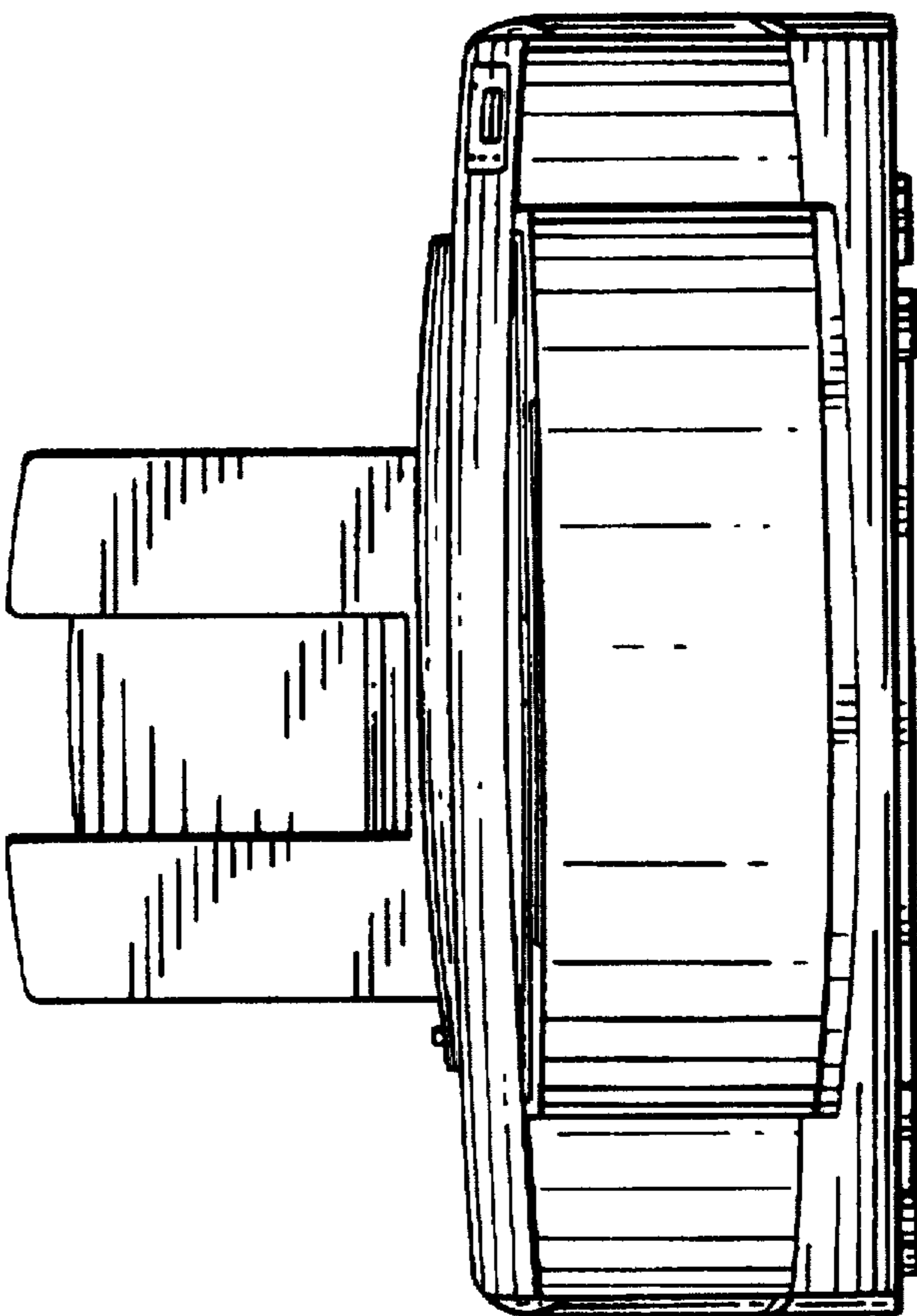


FIG. 6

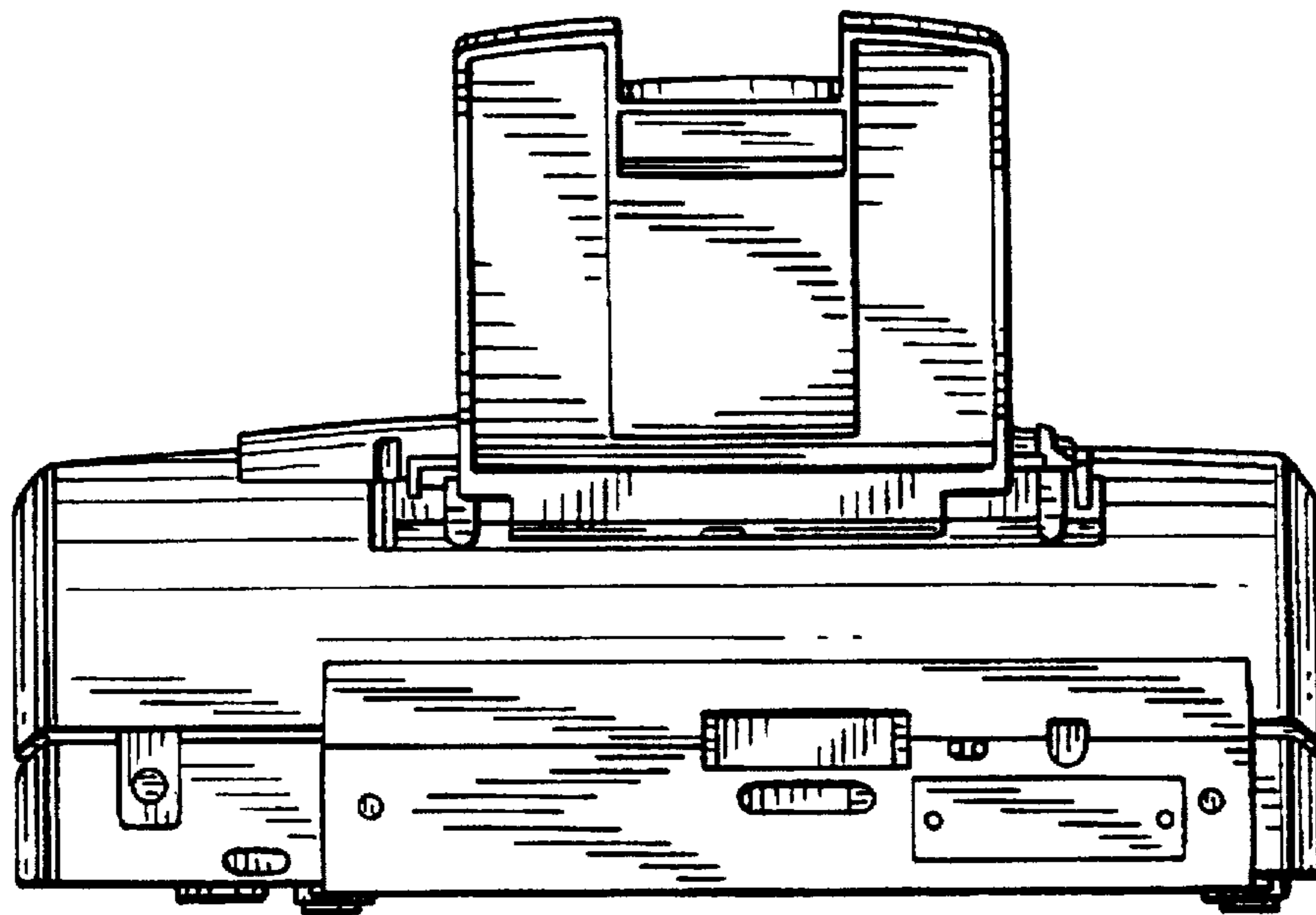
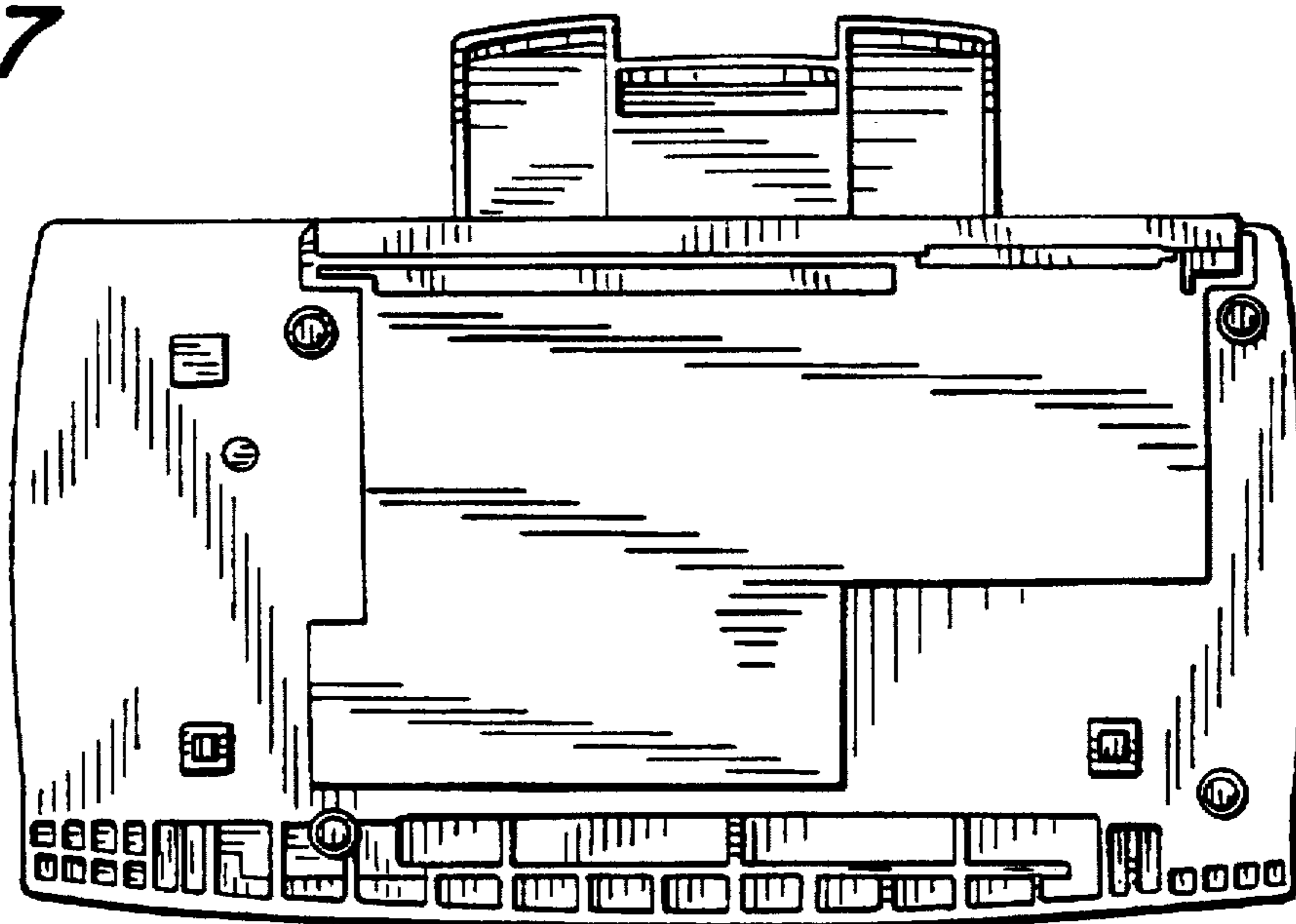


FIG. 7



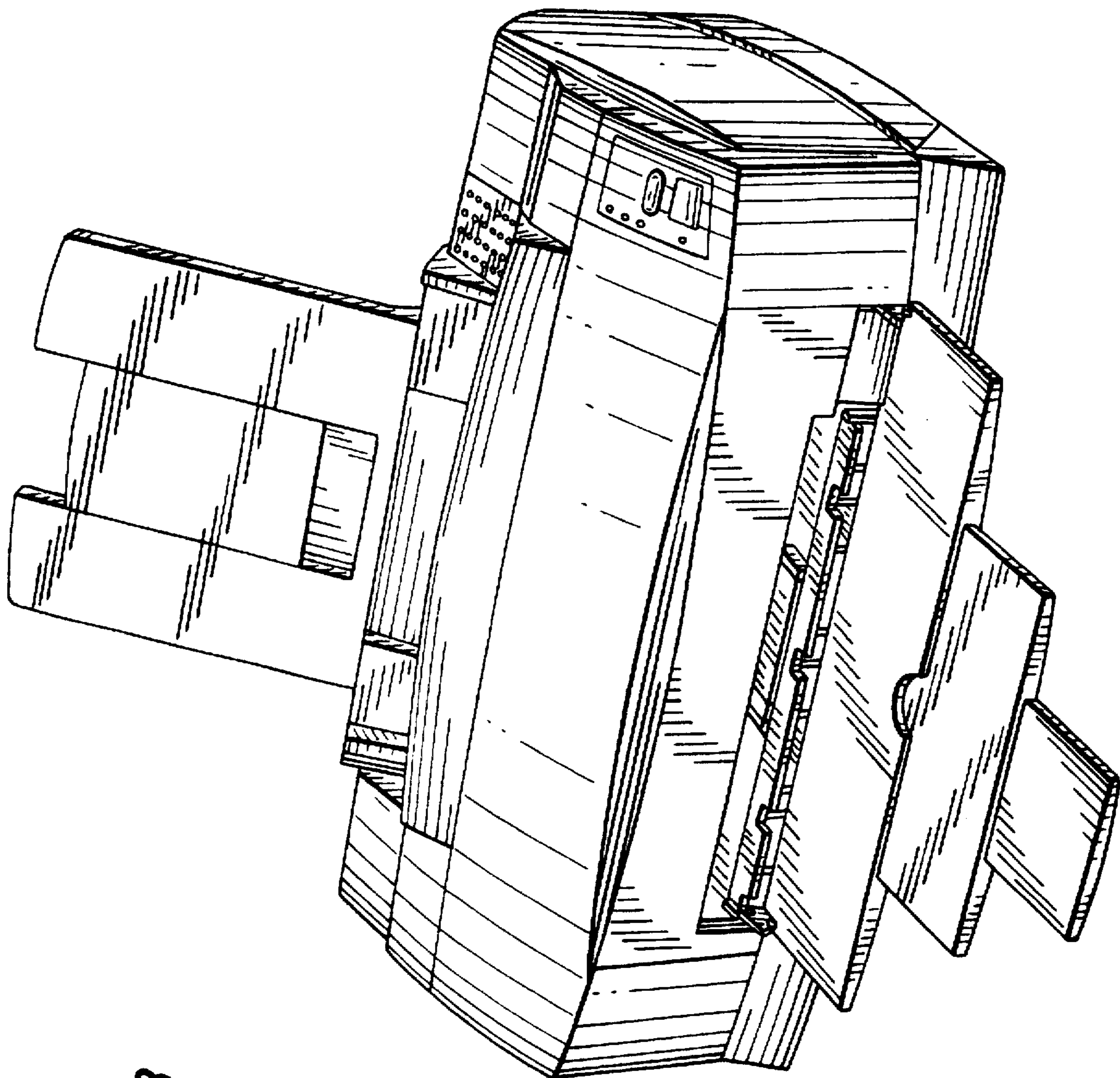


FIG. 8