

US00D393864S

United States Patent [19]

Waldenberger et al.

[11] Patent Number: Des. 393,864

[45] Date of Patent: **Apr. 28, 1998

[54] VIBRATORY ASPHALT PLATE

[75] Inventors: David J. Waldenberger, Menomonee Falls; Scott H. Micoley, Cedarburg, both of Wis.

[73] Assignee: Wacker Corporation, Menomonee Falls, Wis.

[**] Term: 14 Years

[21] Appl. No.: 65,533

[22] Filed: Jan. 28, 1997

[51] LOC (6) CL 15-04

[52] U.S. Cl. D15/20

[58] Field of Search D15/10, 20, 22; 56/11.3; 172/699; 404/133.1, 133.5

[56] References Cited

U.S. PATENT DOCUMENTS

D. 227,166	6/1973	Briggs et al.	D15/20
D. 227,598	7/1973	Maass	D15/20
3,899,263	8/1975	Briggs et al.	404/133.1
4,113,403	9/1978	Tertinek et al.	404/133.1
5,320,448	6/1994	Artzberger	404/133.1
5,387,052	2/1995	Artzberger	404/133.1
5,439,314	8/1995	Wadensten	404/133.05

OTHER PUBLICATIONS

Wacker Corporation brochure: *Asphalt Vibratory Plates*, Mar., 1996.

Wacker Corporation brochure: *Vibratory Plates*, Jan., 1995. Stone Construction Equipment, Inc. brochure: *Vibratory Plate*, 1993.

M-B-W—Ground Pounder Division brochure: *Ground Pounder* undated.

BOMAG brochure: *Vibratory Plates BP 10/36 • BP 15/45*, Oct. 1991.

Primary Examiner—Sandra L. Morris

Attorney, Agent, or Firm—Nilles & Nilles, S.C.

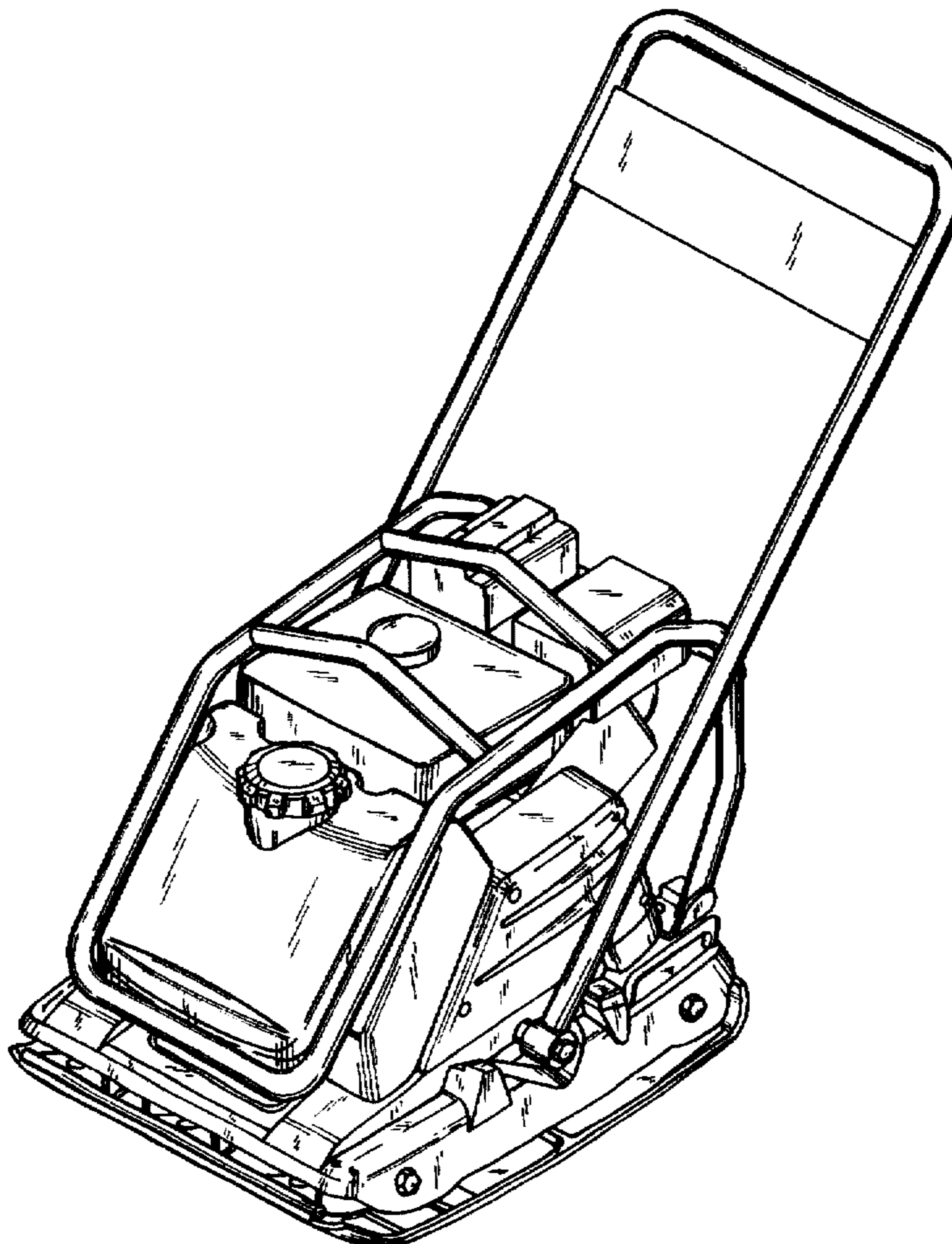
[57] CLAIM

The ornamental design for a vibratory asphalt plate, as shown and described.

DESCRIPTION

FIG. 1 is a top, front, left side perspective view of a vibratory asphalt plate, showing our new design; FIG. 2 is a front elevation view thereof; FIG. 3 is a rear elevation view thereof; FIG. 4 is a left-side elevation view thereof; FIG. 5 is a right-side elevation view thereof; FIG. 6 is a top plan view thereof; and, FIG. 7 is a bottom plan view thereof.

1 Claim, 4 Drawing Sheets



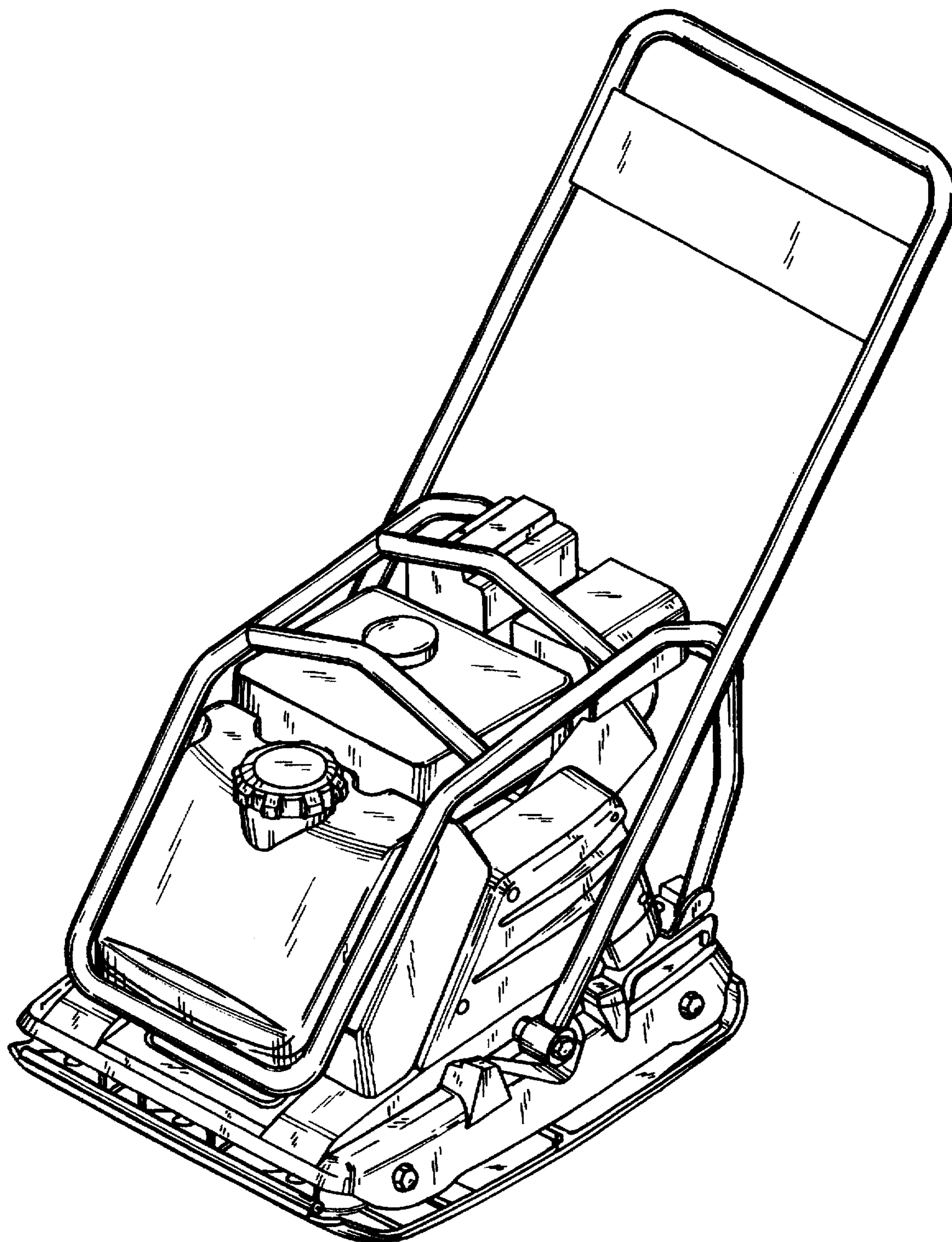


FIG. 1

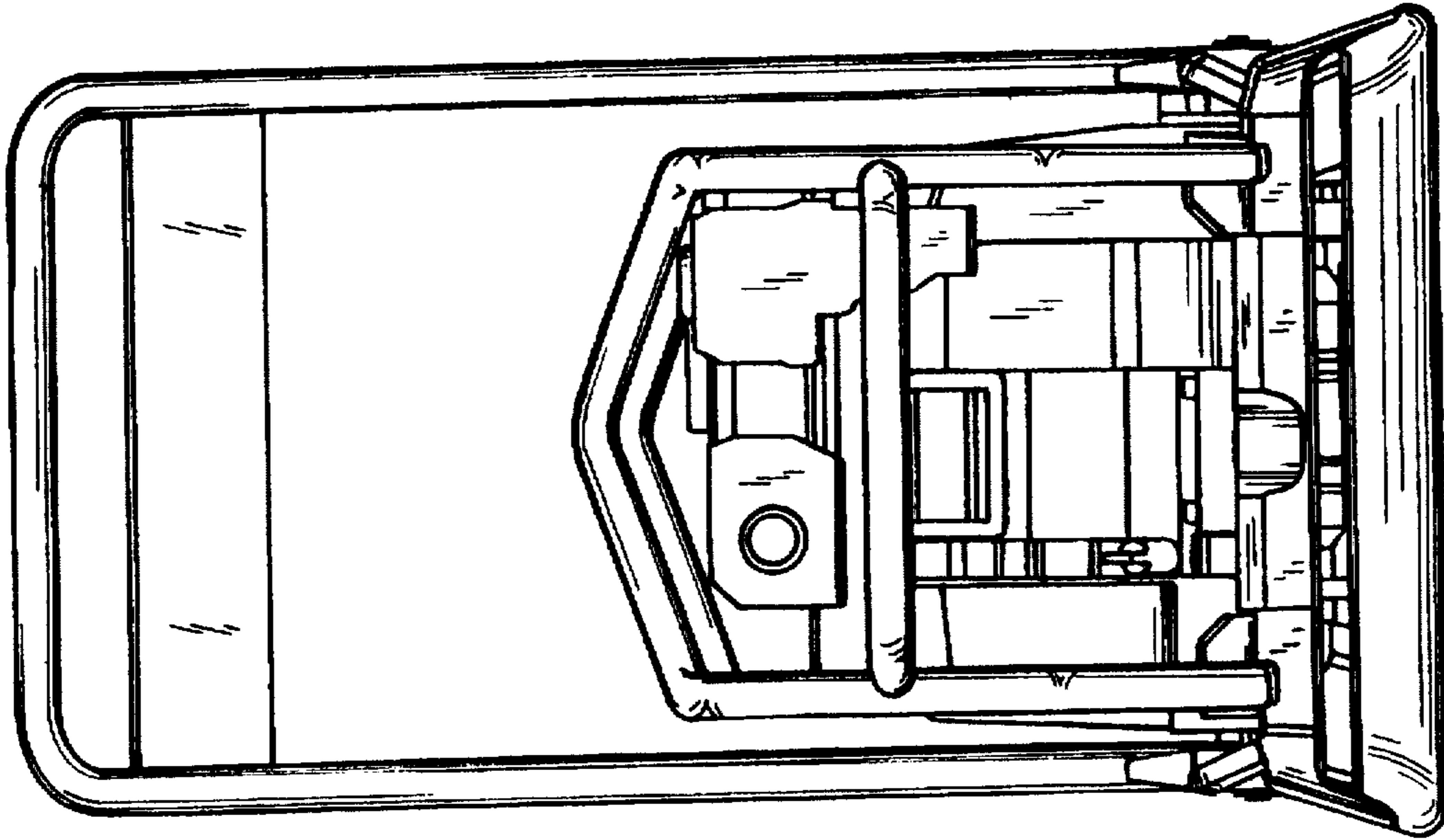


FIG. 3

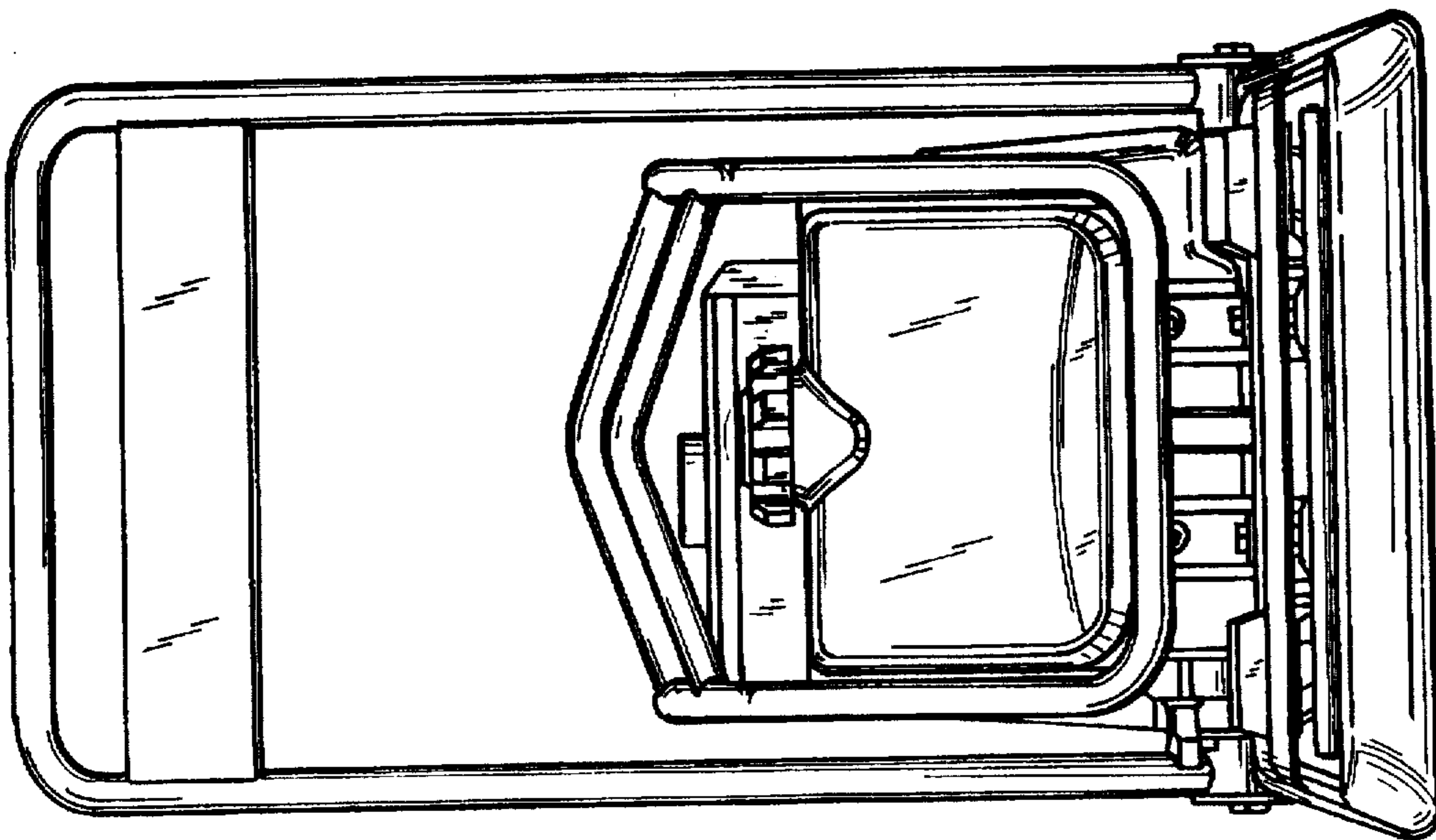


FIG. 2

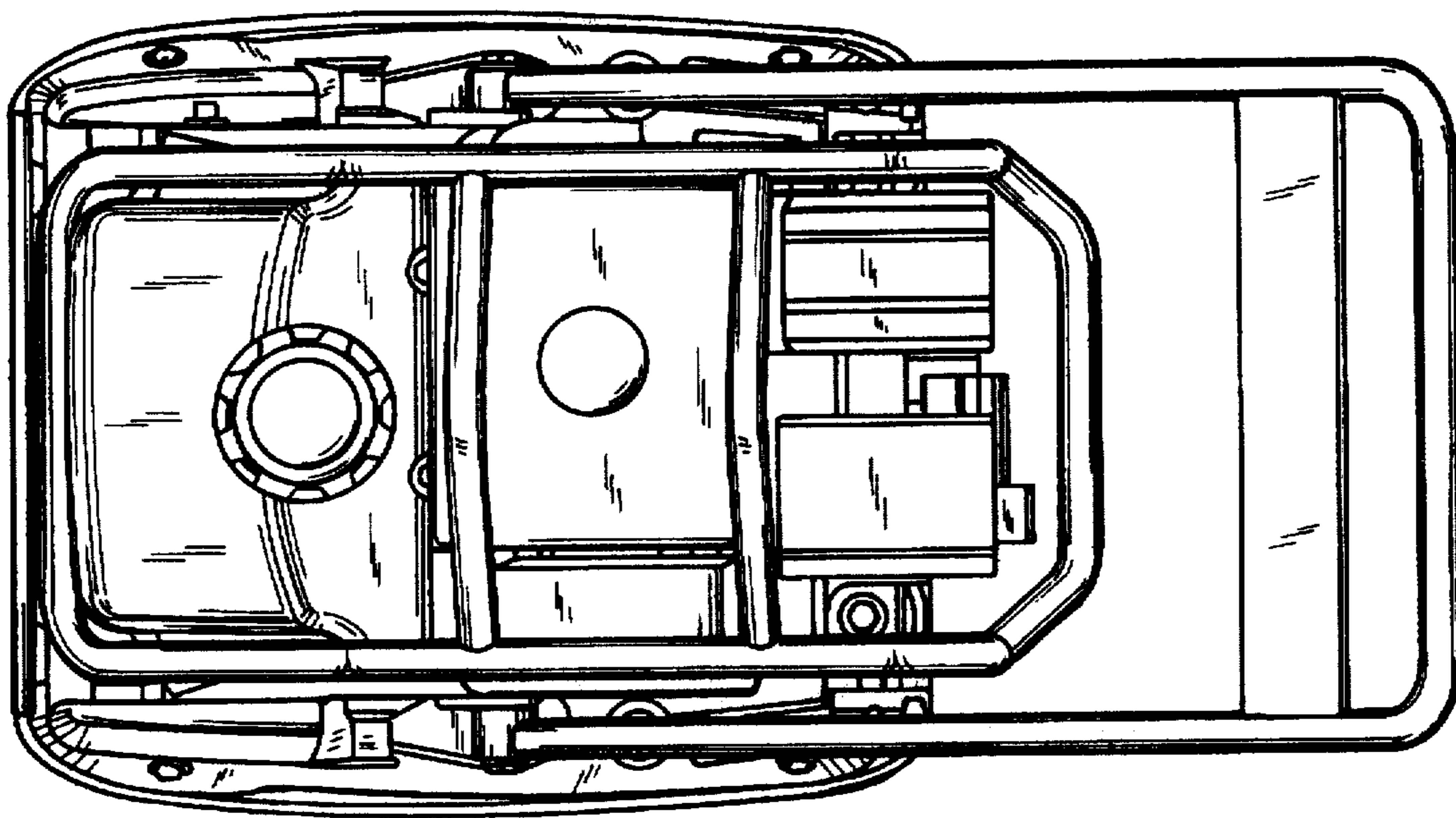


FIG. 6

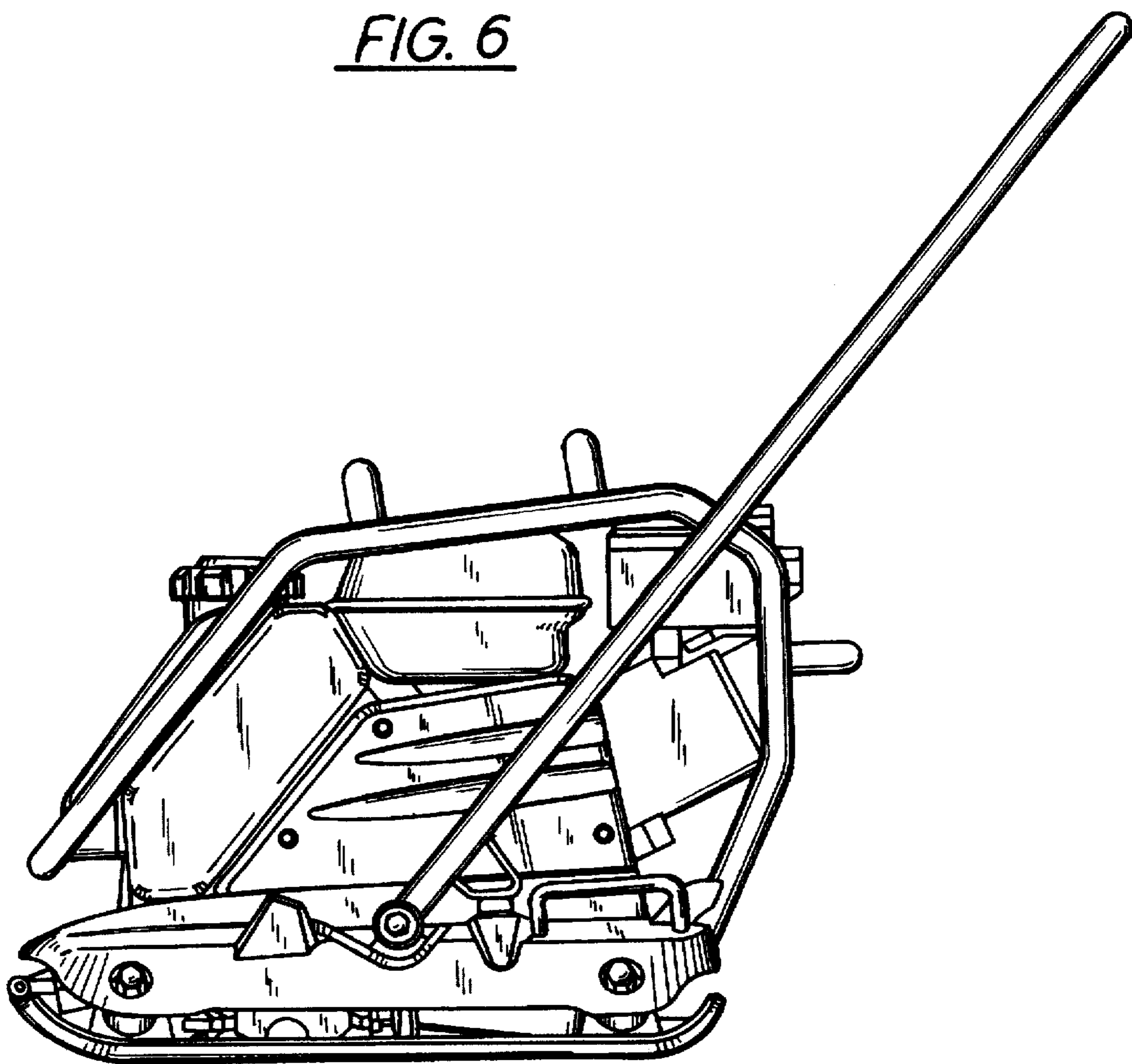


FIG. 4

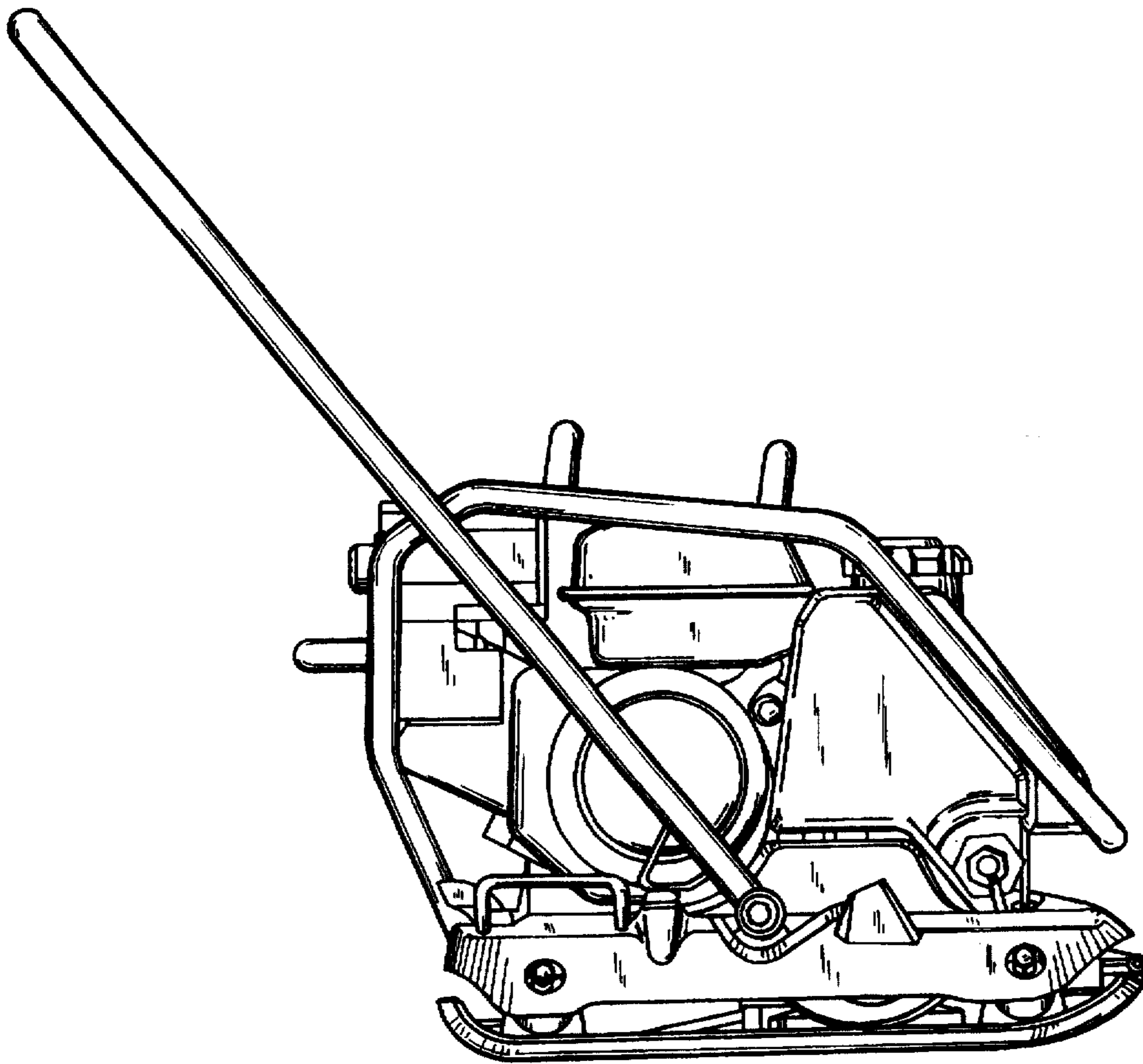


FIG. 5

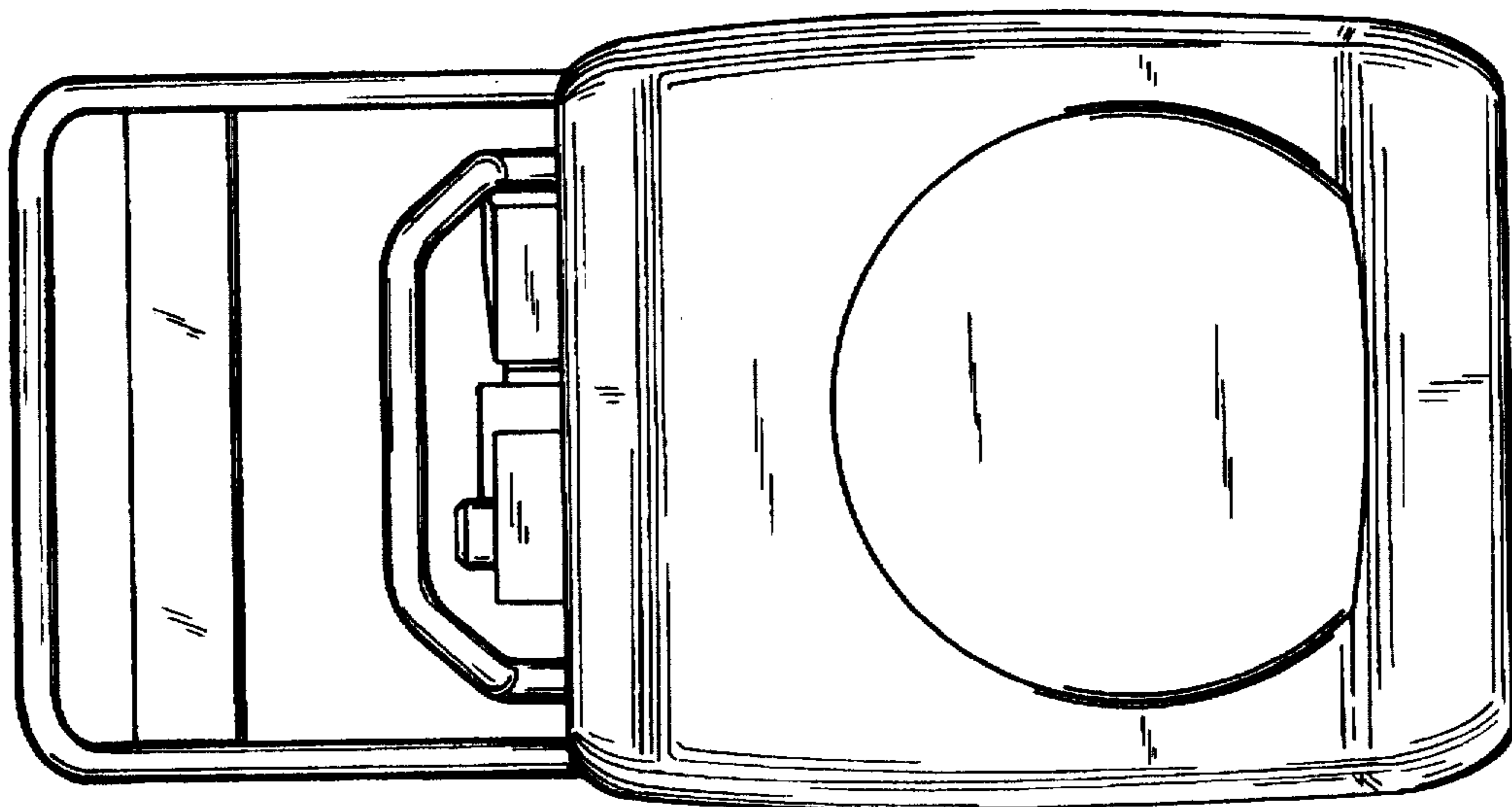


FIG. 7