



US00D393863S

United States Patent [19]
Wolf

[11] **Patent Number: Des. 393,863**

[45] **Date of Patent: **Apr. 28, 1998**

[54] **SURFACE ORNAMENTATION FOR RIDING LAWNMOWER**

[75] **Inventor: Bradley John Wolf, N. Royalton, Ohio**

[73] **Assignee: MTD Products Inc, Cleveland, Ohio**

[**] **Term: 14 Years**

[21] **Appl. No.: 59,238**

[22] **Filed: Sep. 5, 1996**

[51] **LOC (6) Cl. 15-03**

[52] **U.S. Cl. D15/17**

[58] **Field of Search D15/14-17; 56/17.5, 56/249, 255, 295, 320.1, 320.2**

[56] **References Cited**

U.S. PATENT DOCUMENTS

5,490,574 2/1996 Ishiizumi et al. D15/31

OTHER PUBLICATIONS

John Deere Walk Behinds, Riders, & STX Tractors 1994 catalog, p. 5.

Primary Examiner—Sandra L. Morris

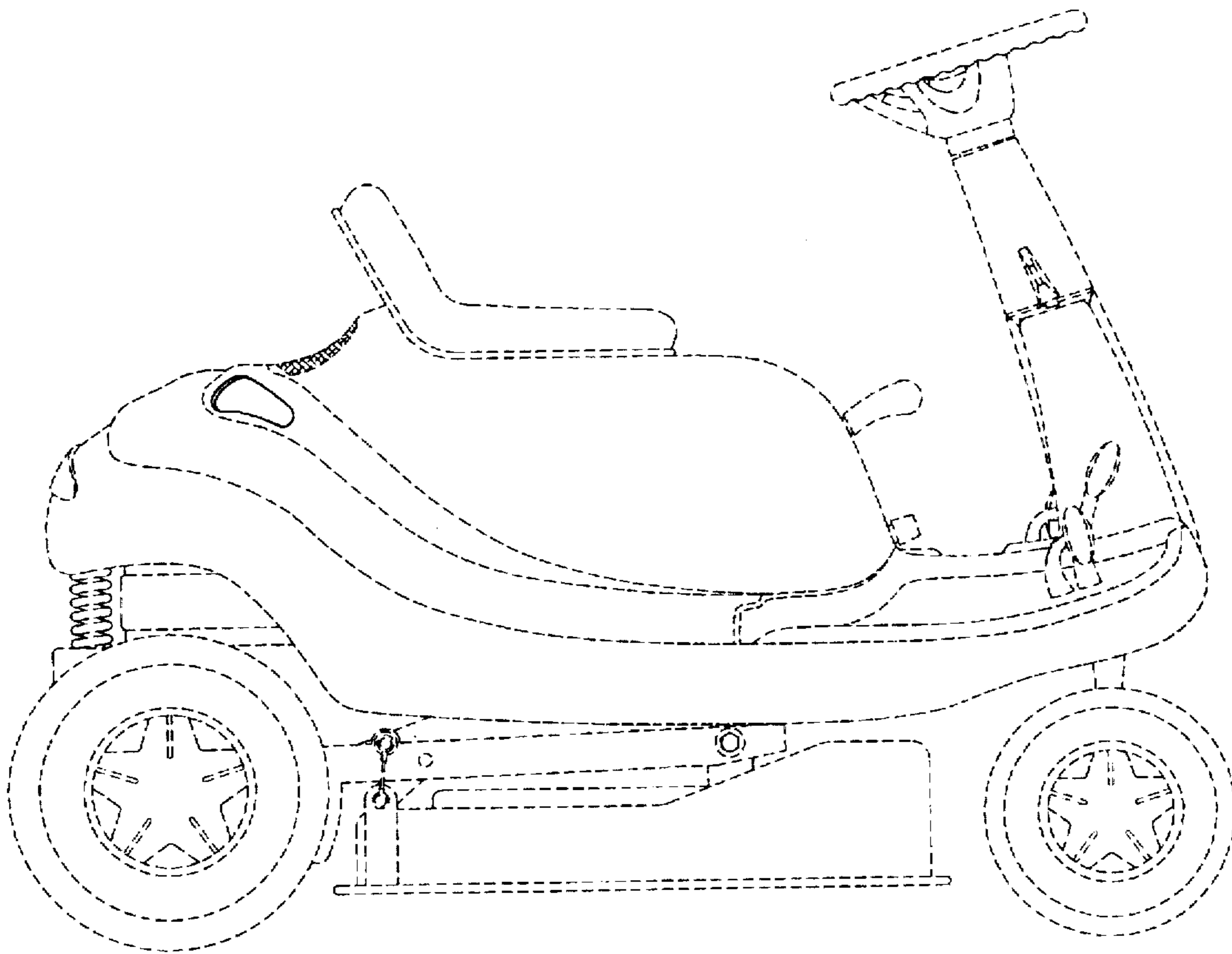
[57] **CLAIM**

The ornamental design for a surface ornamentation for riding lawnmower, as shown.

DESCRIPTION

FIG. 1 is a right side view of the surface ornamentation for riding lawnmower, showing my new design, the broken line showing of the mower is for illustrative purposes only, and forms no part of the claimed design; FIG. 2 is a left side view thereof; FIG. 3 is a rear view thereof; and, FIG. 4 is a top view thereof.

1 Claim, 4 Drawing Sheets



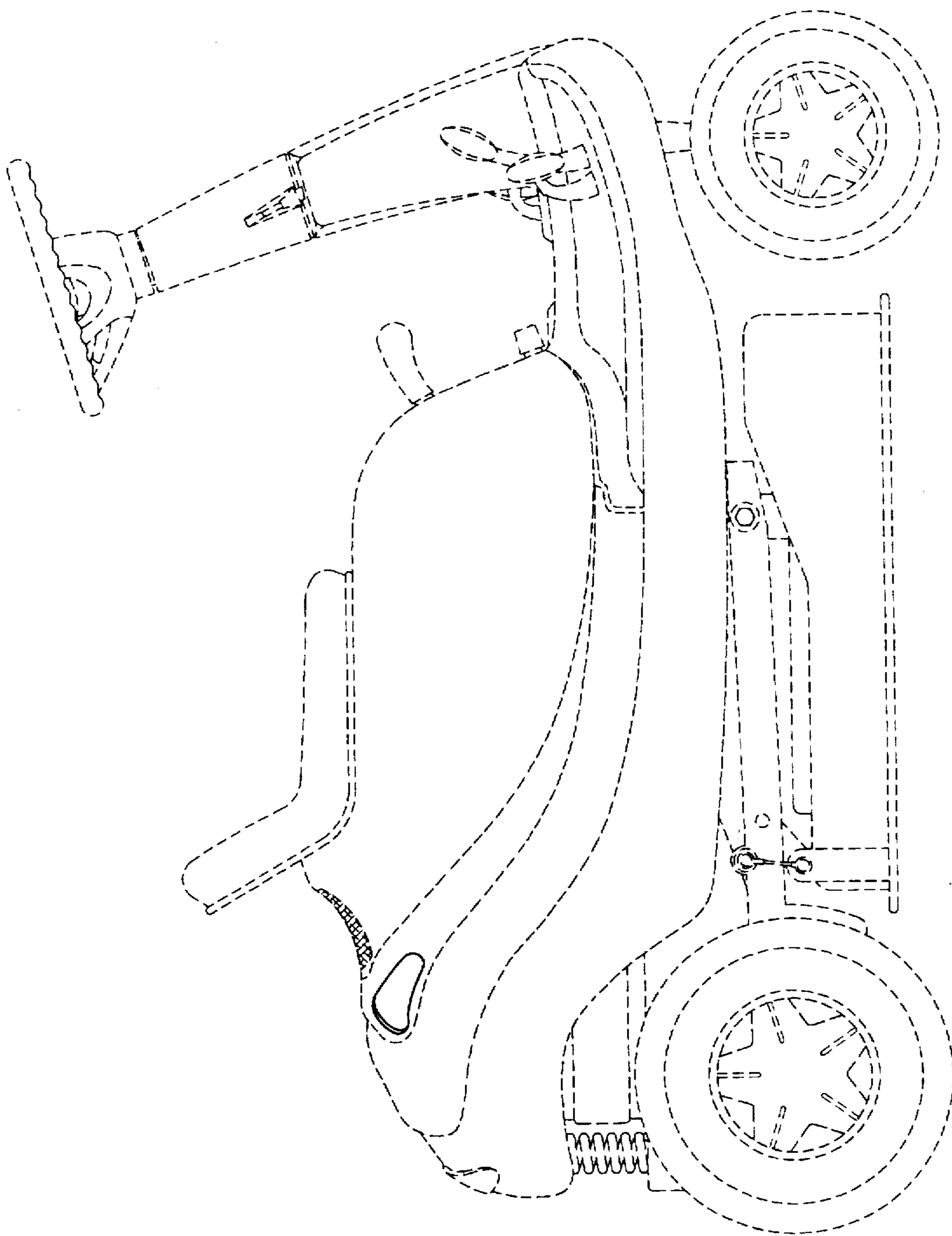


FIG-1

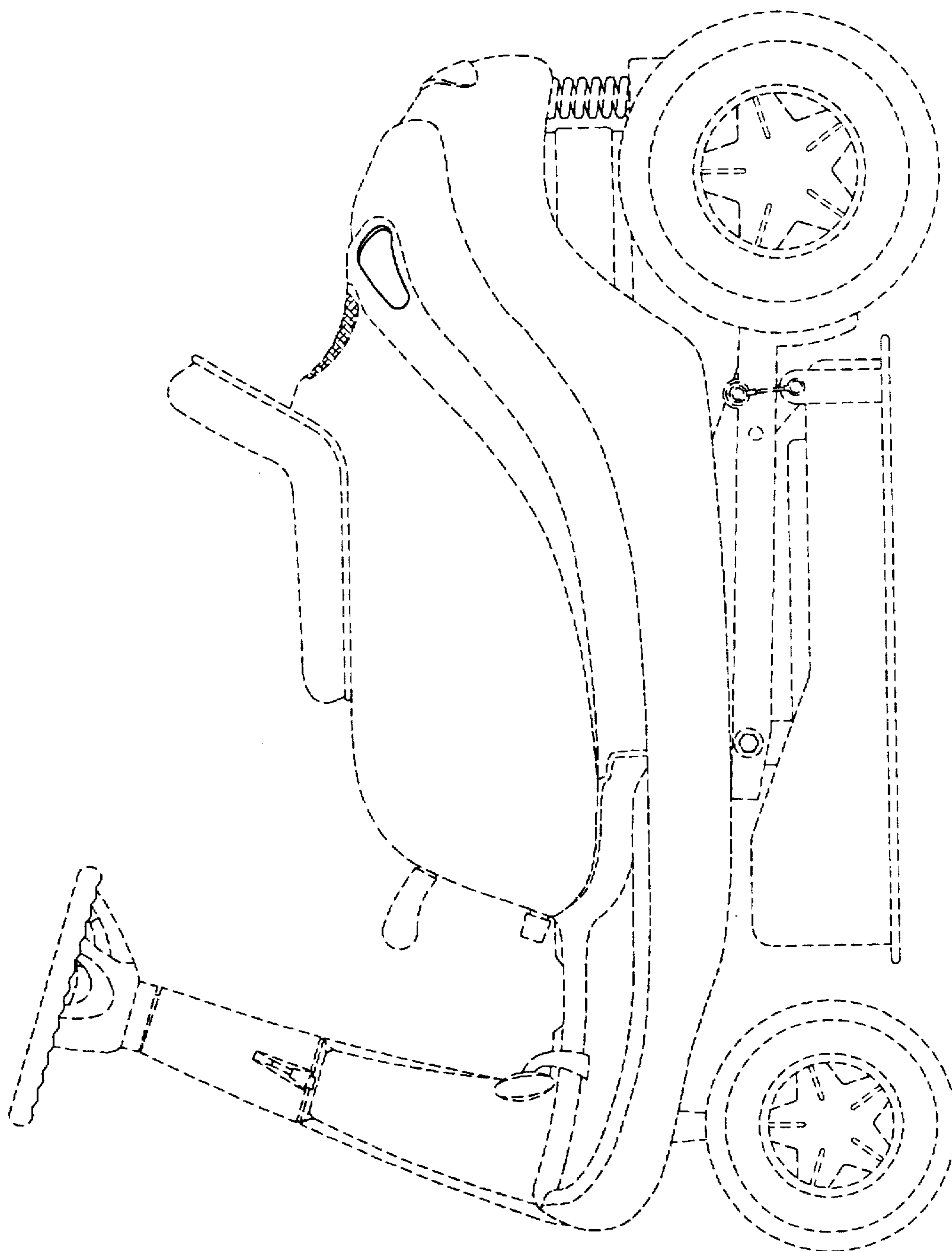


FIG-2

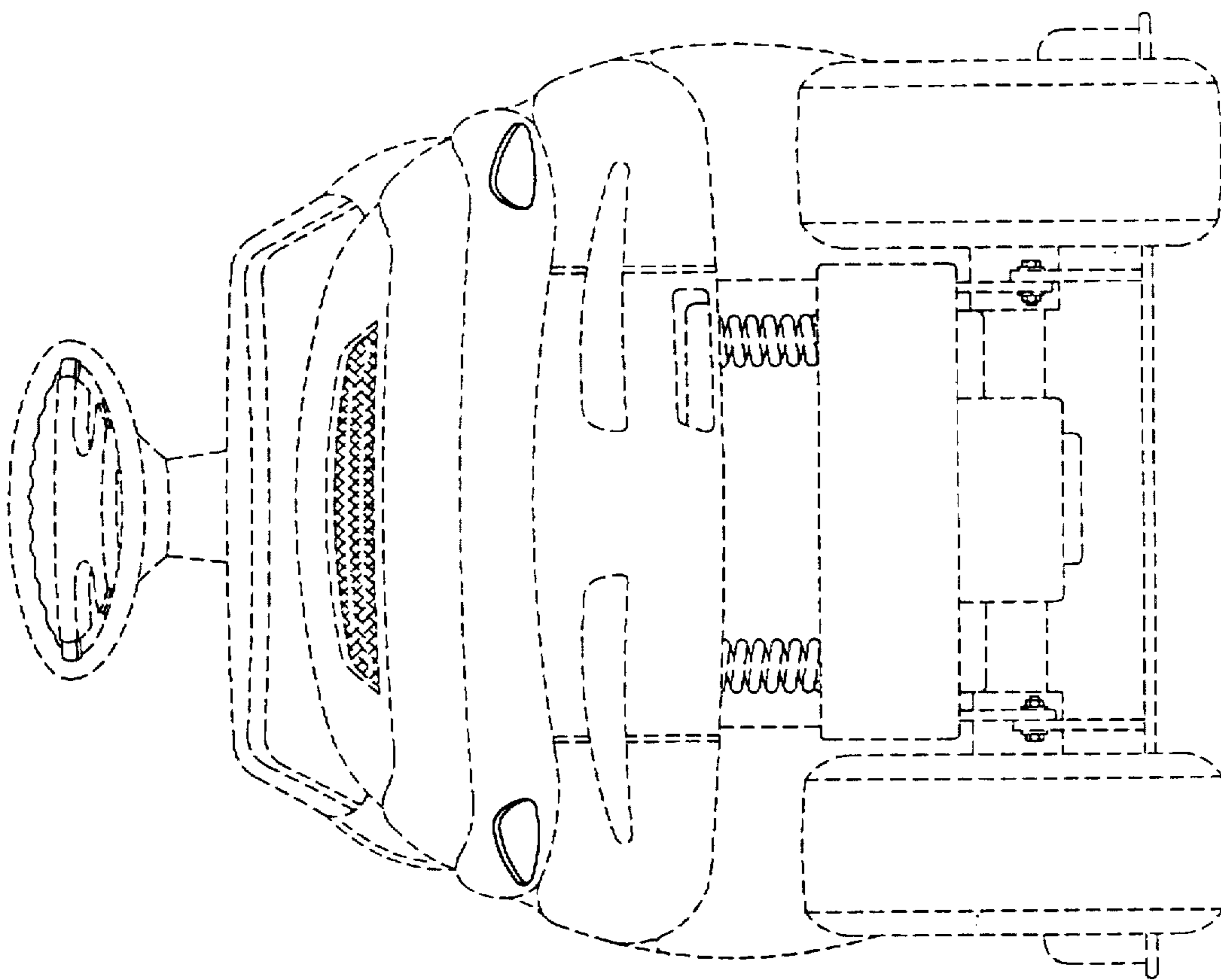


FIG-3

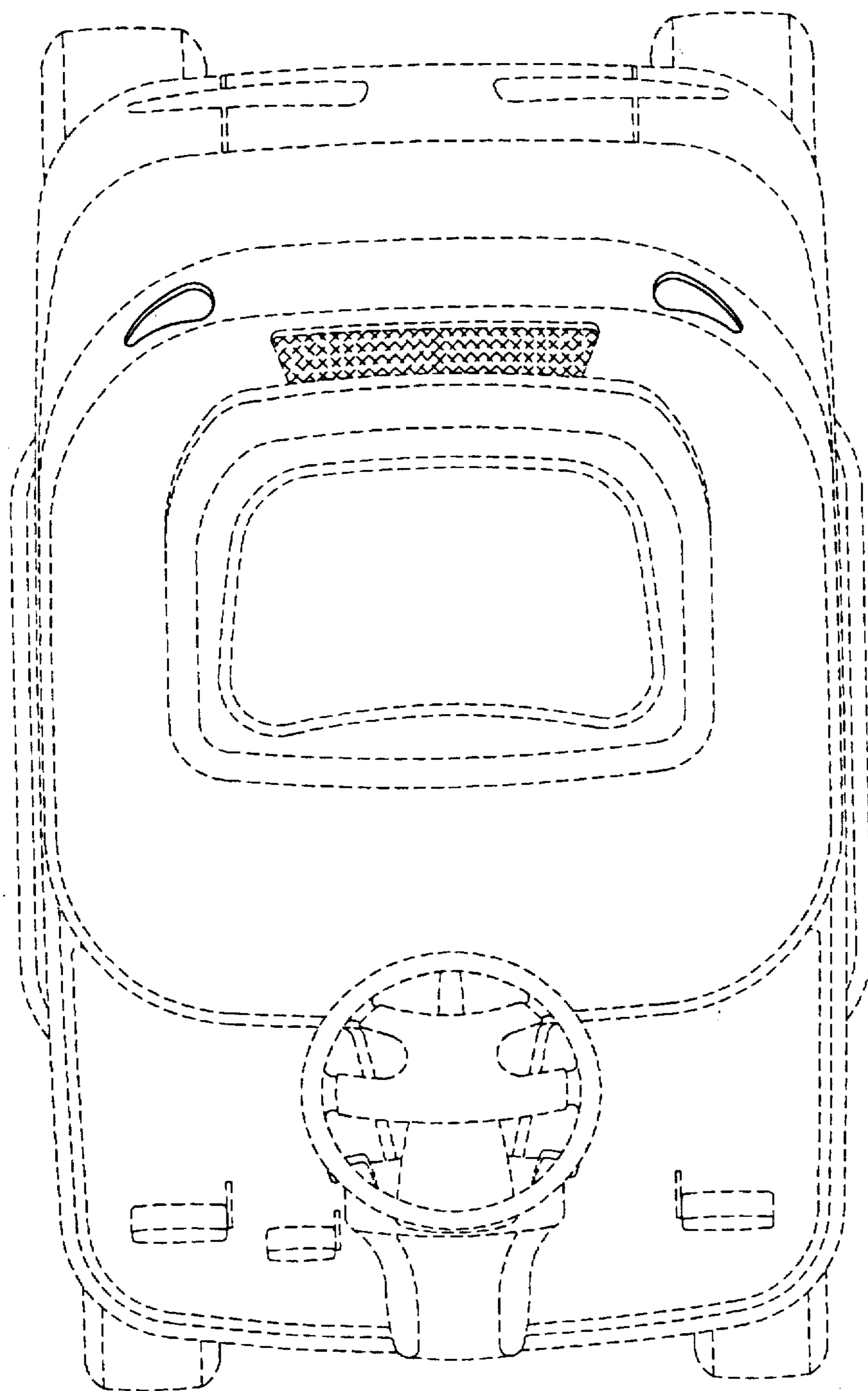


FIG-4