

US00D393859S

United States Patent [19]

Nguyen et al.

[11] Patent Number: **Des. 393,859**

[45] Date of Patent: ****Apr. 28, 1998**

[54] **SELECTIVE CALL TRANSCEIVER**

[75] Inventors: **Huy Phuong Nguyen**, Fort Worth;
Thomas Glenn Beaumont, Bedford,
both of Tex.

[73] Assignee: **Motorola, Inc.**, Schaumburg, Ill.

[**] Term: **14 Years**

[21] Appl. No.: **70,617**

[22] Filed: **May 12, 1997**

[51] LOC (6) Cl. **14-03**

[52] U.S. Cl. **D14/191**

[58] Field of Search **D14/124, 188,**
D14/191, 192, 299; 340/311.1; 455/38.1-38.4,
90, 92, 100, 343

[56] **References Cited**

U.S. PATENT DOCUMENTS

- D. 347,004 5/1994 Beaumont et al. D14/188 X
- D. 352,034 11/1994 Scheid et al. D14/191
- D. 370,014 5/1996 Braxton et al. D14/191

D. 371,131 6/1996 Chan et al. D14/191

Primary Examiner—Ted Shooman
Assistant Examiner—Nanda Bondade
Attorney, Agent, or Firm—Pablo Meles

[57] **CLAIM**

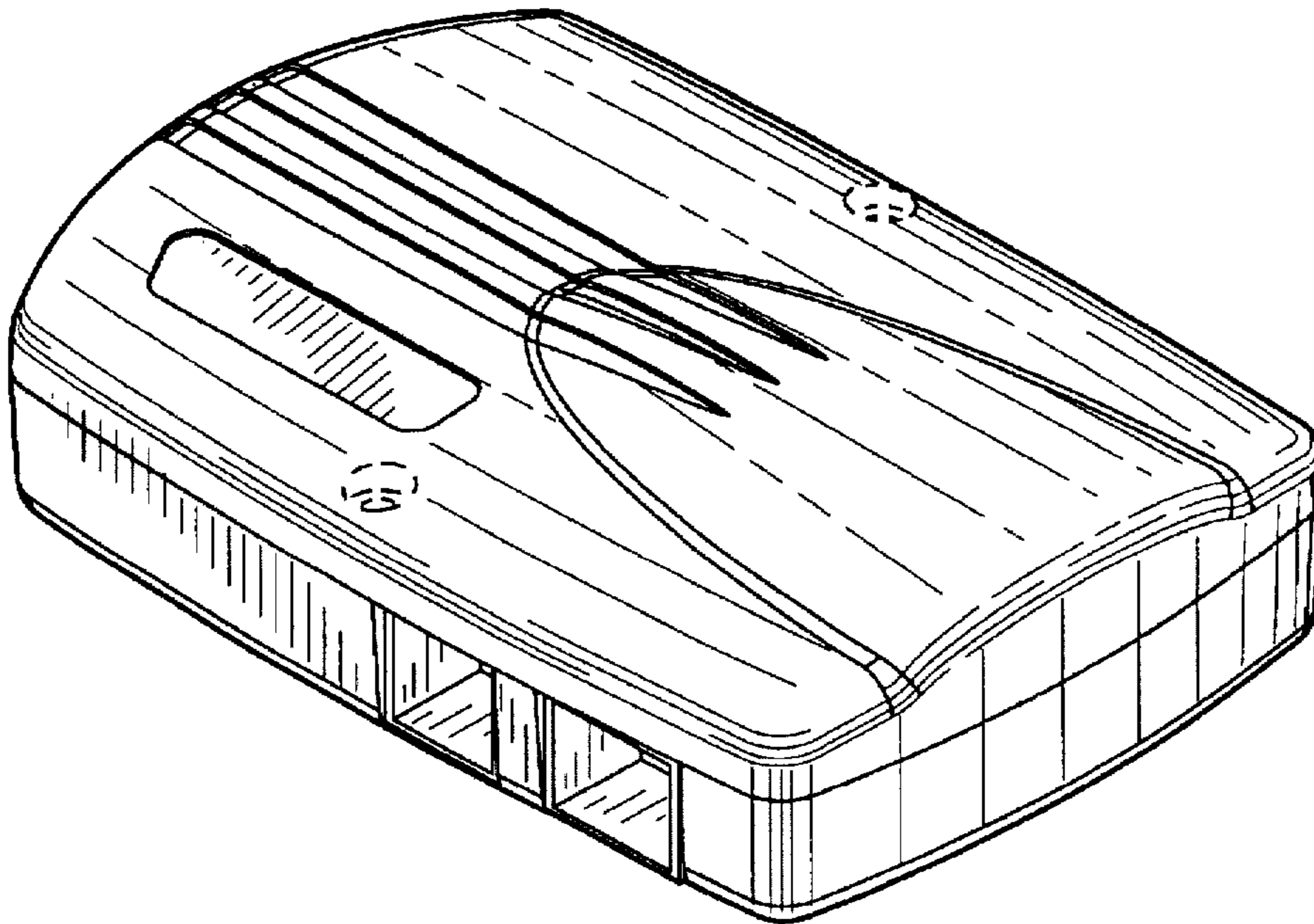
The ornamental design for a selective call transceiver, as shown and described.

DESCRIPTION

FIG. 1 is a front elevational view of a selective call transceiver showing our new design;
 FIG. 2 is a rear elevational view thereof;
 FIG. 3 is a left side elevational view thereof;
 FIG. 4 is a right side elevational view thereof;
 FIG. 5 is a bottom plan view thereof;
 FIG. 6 is a top plan view thereof; and,
 FIG. 7 is a front, bottom and left side perspective view thereof.

The broken line showing on FIGS. 1-4 and 6-7 is for illustrative purposes only and forms no part of the claimed design.

1 Claim, 4 Drawing Sheets



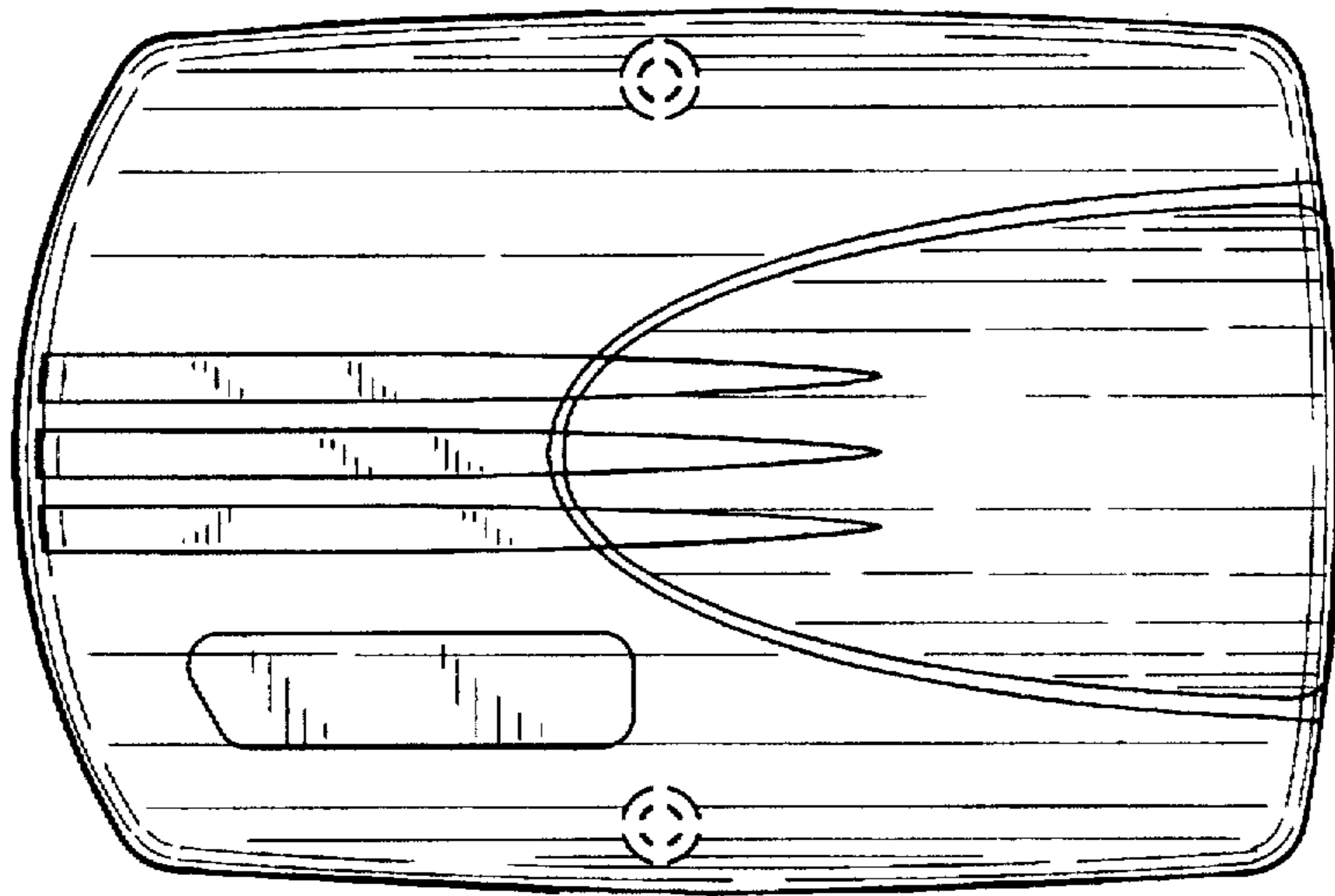


FIG. 1

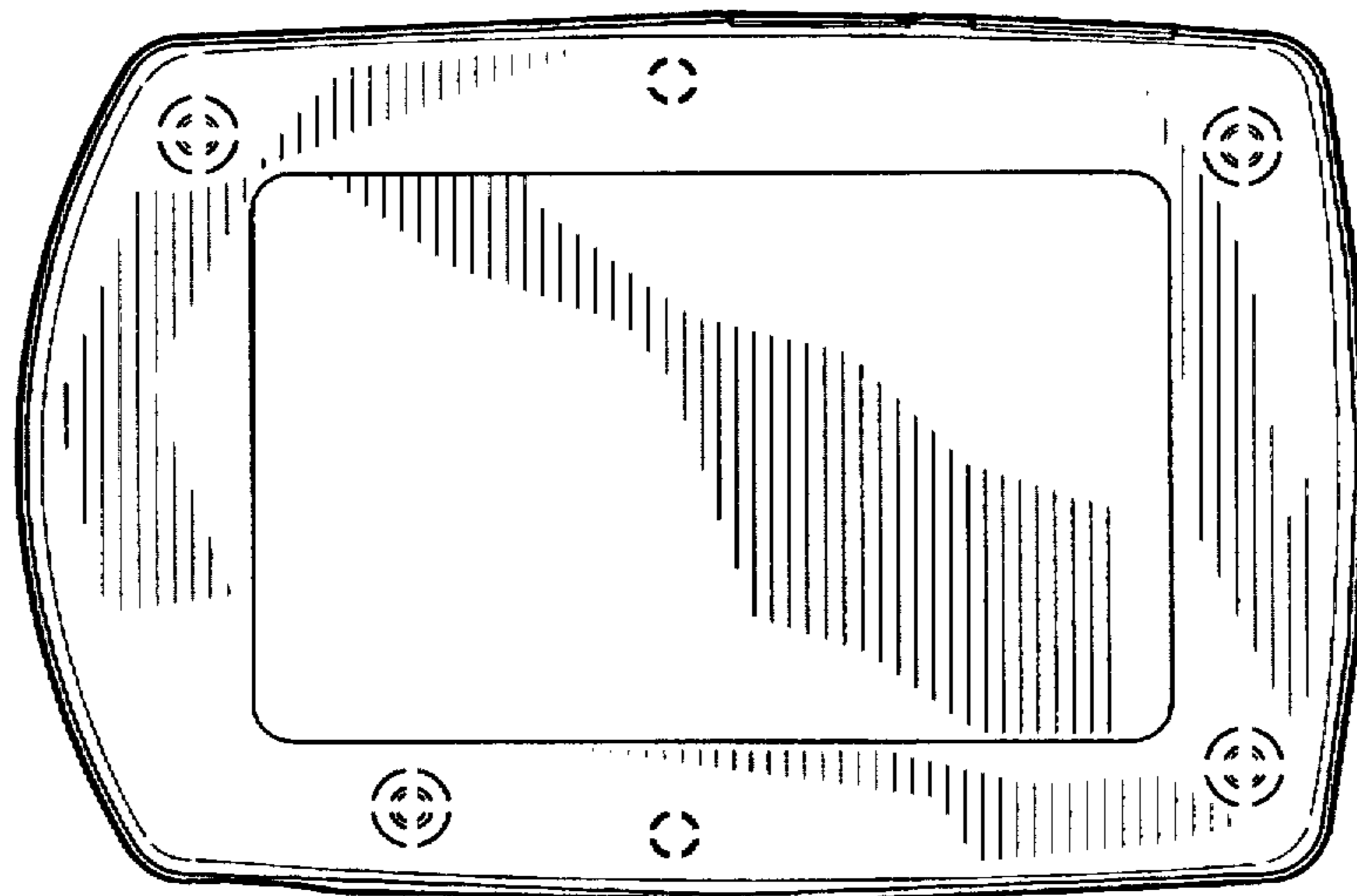


FIG. 2

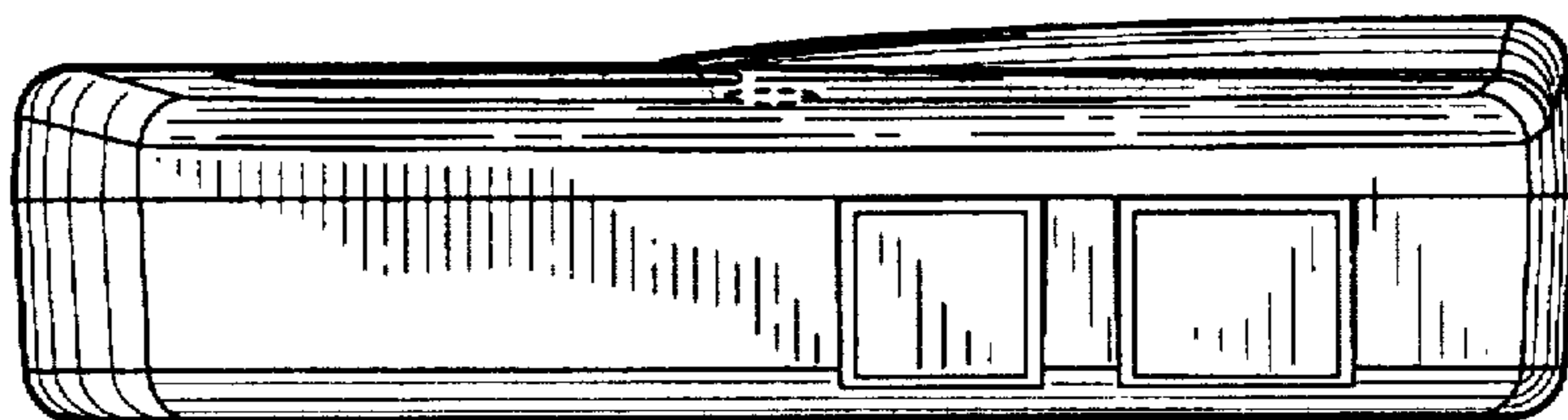


FIG. 3

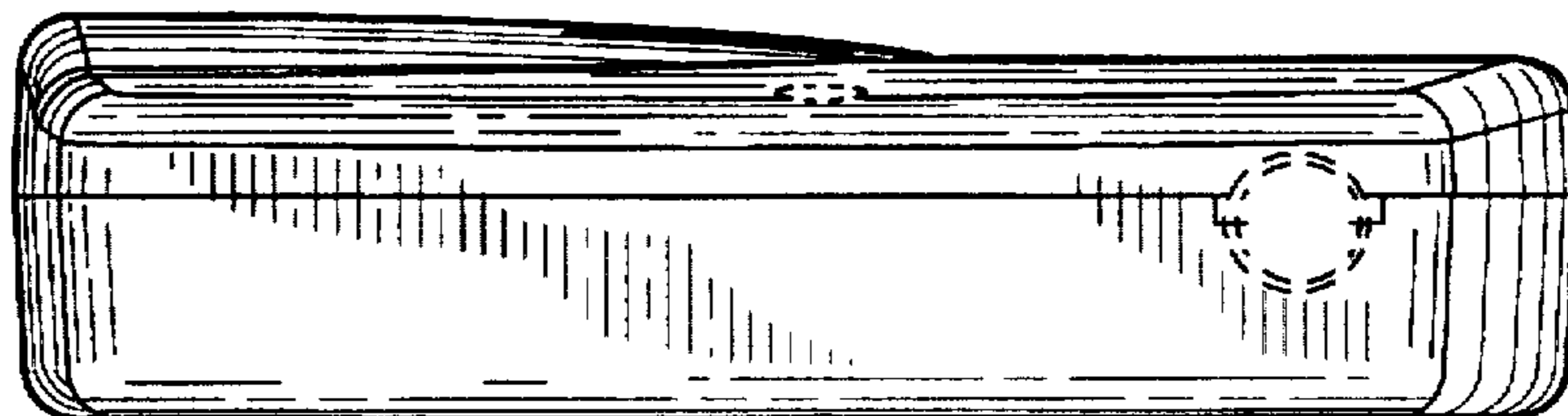


FIG. 4

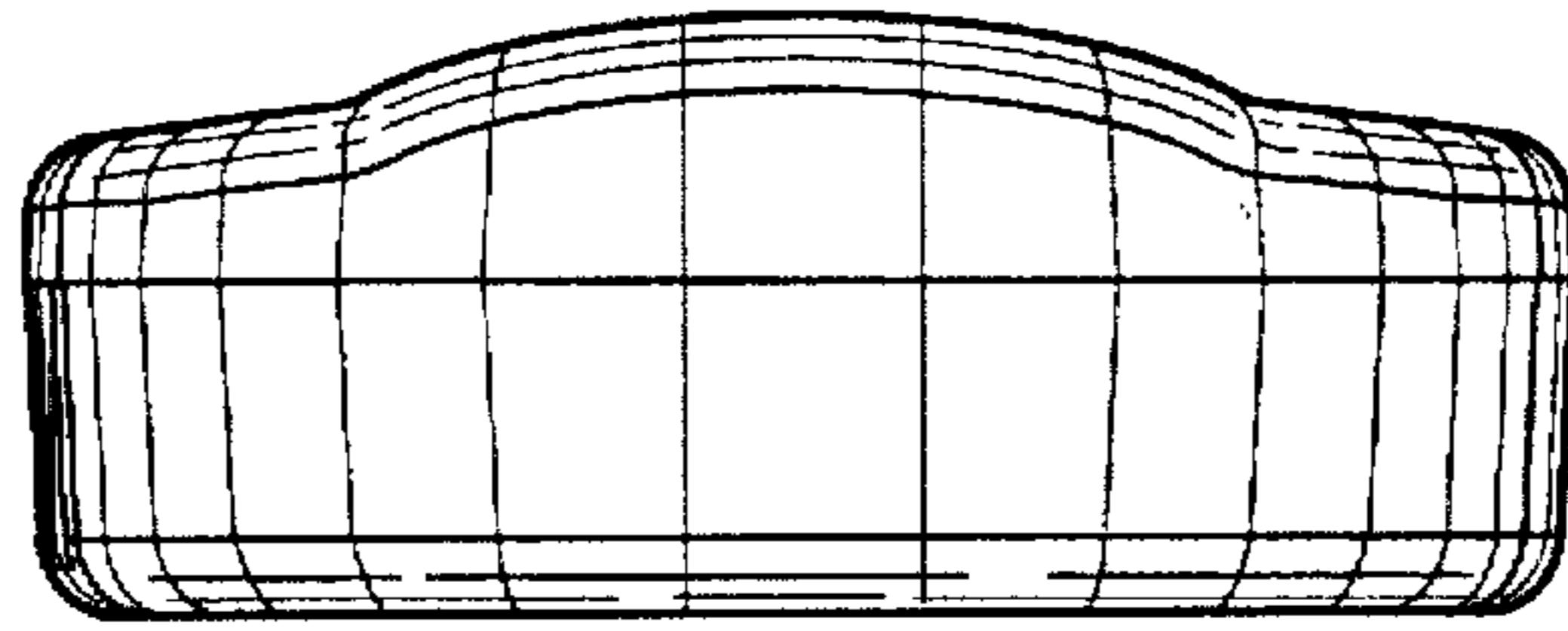


FIG. 5

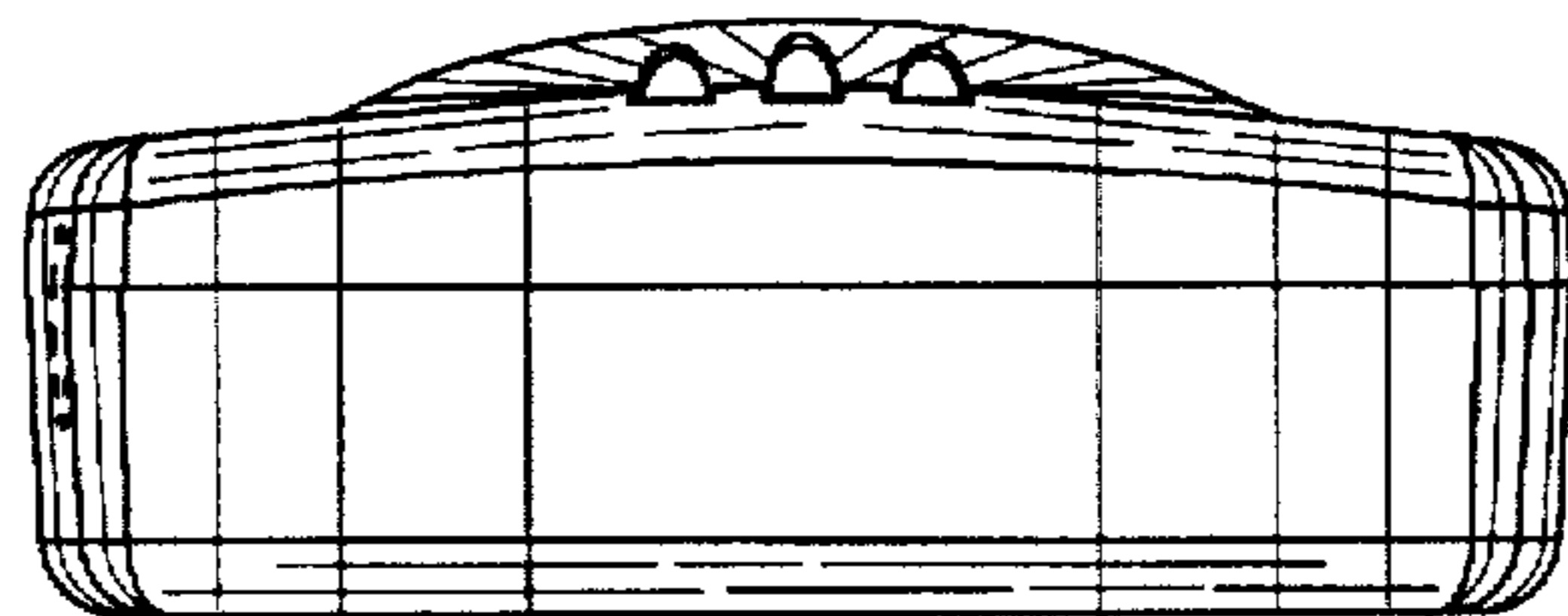


FIG. 6

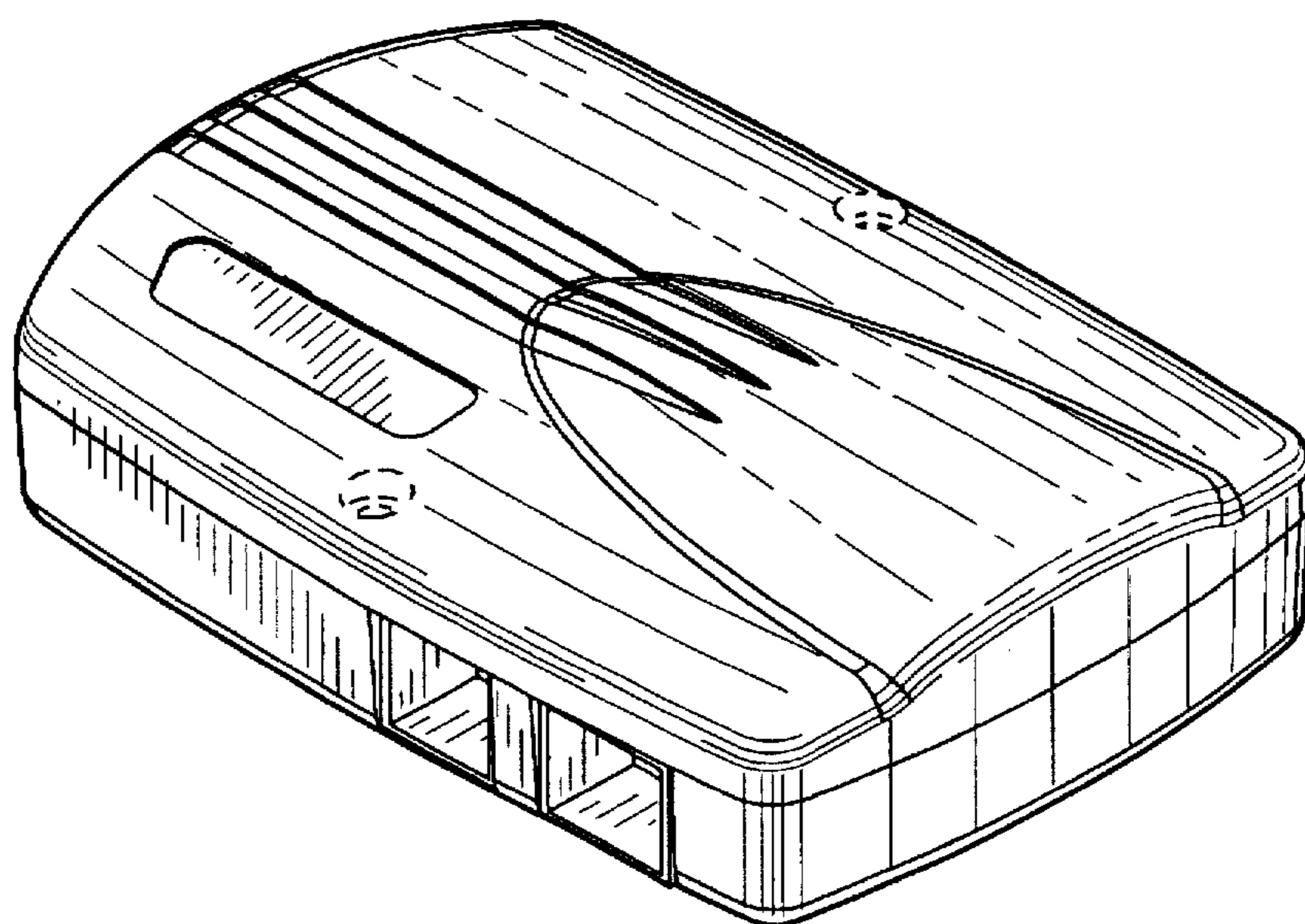


FIG. 7