

US00D393856S

United States Patent [19]

Lee et al.

[11] Patent Number: **Des. 393,856**

[45] Date of Patent: ****Apr. 28, 1998**

[54] **FOLDABLE WIRELESS TELEPHONE HOUSING**

5,436,954	7/1995	Nishiyama et al.	379/433	X
5,666,273	9/1997	Kurchart	455/347	X
5,668,867	9/1997	Nagai	379/434	X

[75] Inventors: **John K. M. Lee, Ramona; John E. Maloney, San Diego, both of Calif.; William R. George, Evanston; Scott H. Wilson, Chicago, both of Ill.**

FOREIGN PATENT DOCUMENTS

2-274046	11/1990	Japan	D14/147	X
6-152459	5/1994	Japan	455/90	X

[73] Assignee: **Qualcomm Incorporated, San Diego, Calif.**

Primary Examiner—Jeffrey Asch

Attorney, Agent, or Firm—Russell B. Miller; Roger W. Martin

[**] Term: **14 Years**

[57] CLAIM

[21] Appl. No.: **67,171**

The ornamental design for a foldable wireless telephone housing, as shown.

[22] Filed: **Feb. 28, 1997**

DESCRIPTION

[51] LOC (6) Cl. **14-03**

[52] U.S. Cl. **D14/138**

[58] **Field of Search** D14/137, 138, D14/140, 142, 147, 148, 240, 248; 379/433, 434, 419, 420, 428, 440; 455/90, 347, 349, 550, 575

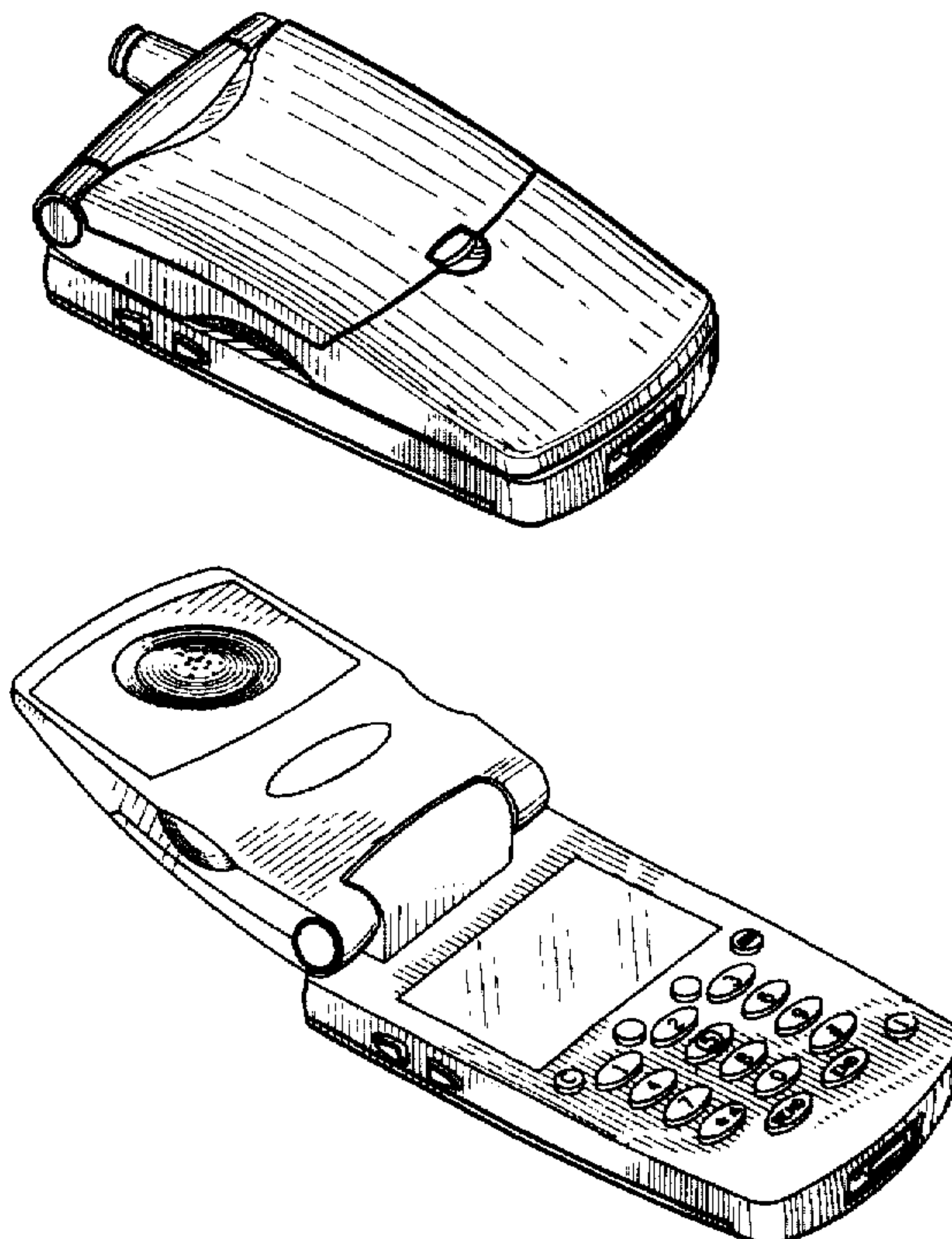
FIG. 1 is a perspective view of the foldable wireless telephone housing in a closed position;
 FIG. 2 is a right side plan view thereof in the closed position;
 FIG. 3 is a top plan view thereof in the closed position;
 FIG. 4 is a rear plan view thereof in the closed position;
 FIG. 5 is a bottom plan view thereof in the closed position;
 FIG. 6 is a left side plan view thereof in the closed position;
 FIG. 7 is a front plan view thereof in the closed position;
 FIG. 8 is a perspective view of the foldable wireless telephone housing in an open position;
 FIG. 9 is a right side plan view thereof in the open position;
 FIG. 10 is a top plan view thereof in the open position;
 FIG. 11 is a front plan view thereof in the open position;
 FIG. 12 is a bottom plan view thereof in the open position;
 FIG. 13 is a left side plan view thereof in the open position;
 and,
 FIG. 14 is a rear plan view thereof in the open position.

[56] References Cited

U.S. PATENT DOCUMENTS

D. 254,435	3/1980	Ferron	D14/147
D. 302,869	8/1989	Murakami et al.	D14/138
D. 319,441	8/1991	Konno et al.	D14/138 X
D. 345,158	3/1994	Namba et al.	D14/138
D. 345,356	3/1994	Ando et al.	D14/138
D. 359,734	6/1995	Nagele et al.	D14/147 X
D. 369,598	5/1996	Nagele et al.	D14/248 X
D. 371,126	6/1996	Bro	D14/138
D. 379,983	6/1997	Shindou	D14/147 X
D. 382,556	8/1997	Jeong	D14/248
5,335,368	8/1994	Tamura	455/90

1 Claim, 5 Drawing Sheets



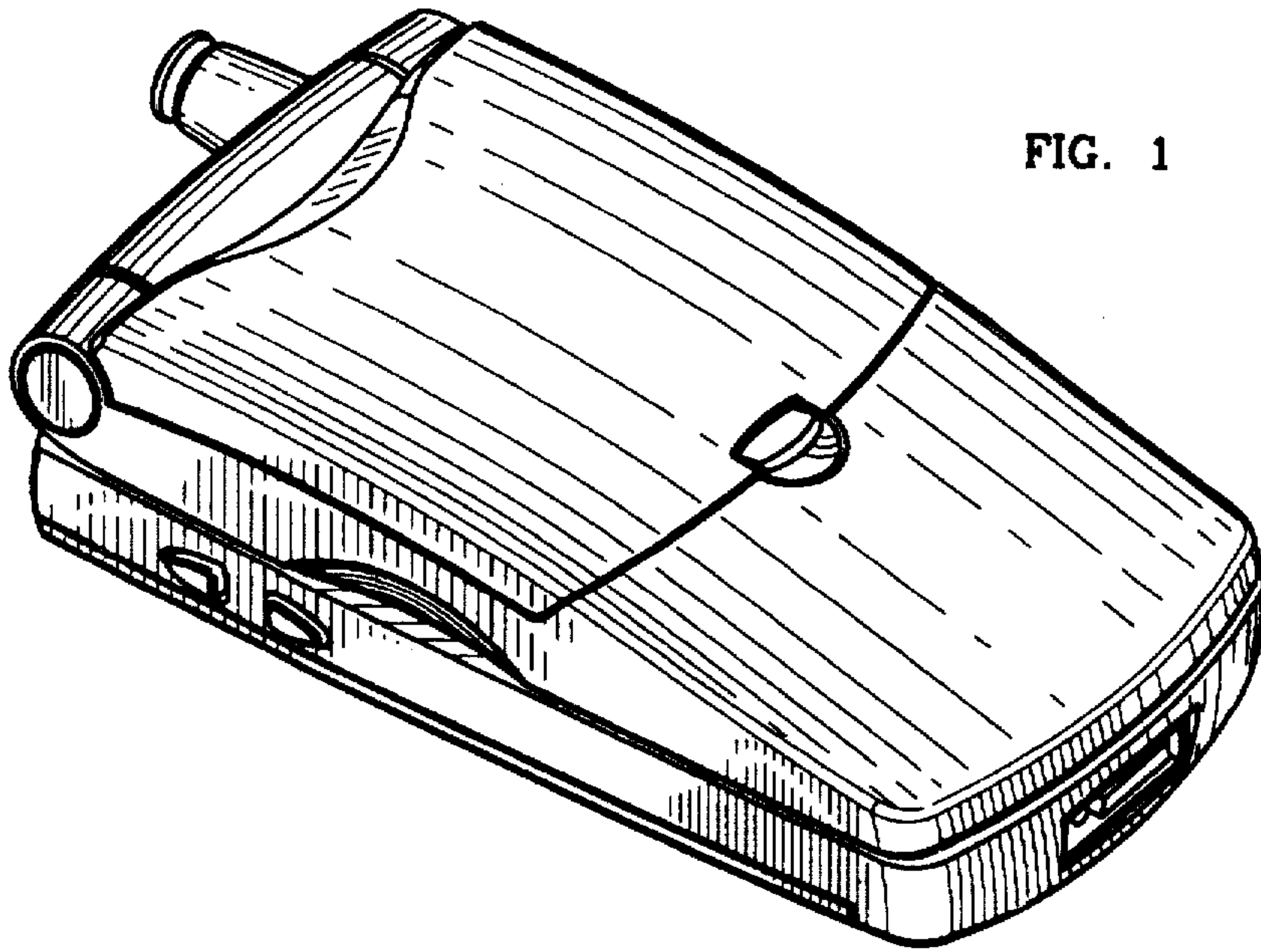


FIG. 1

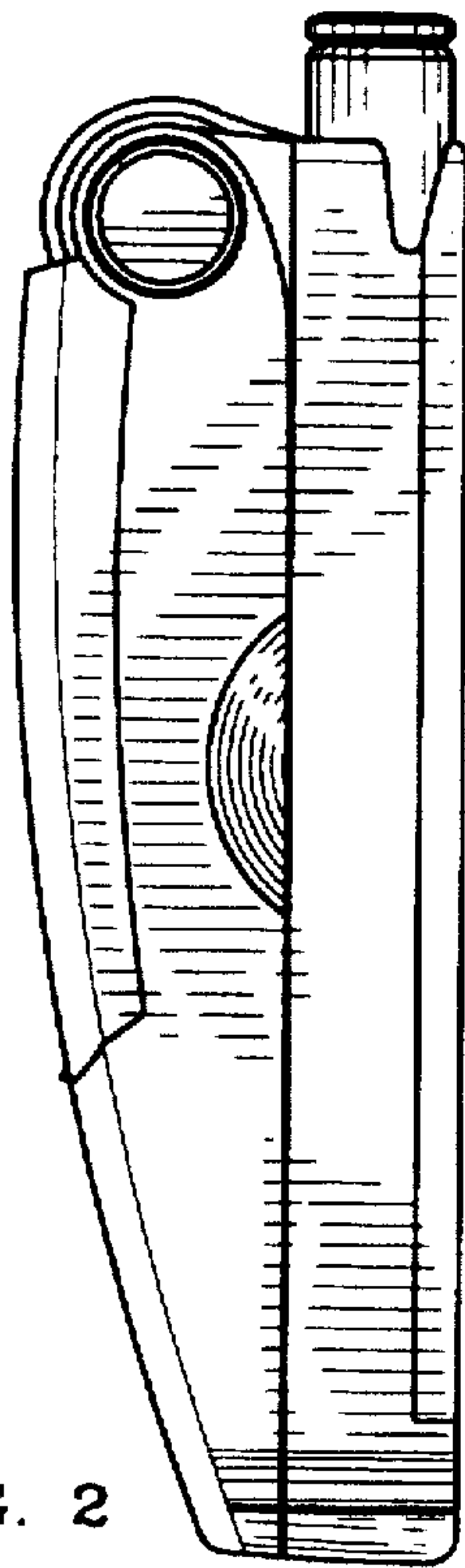


FIG. 2

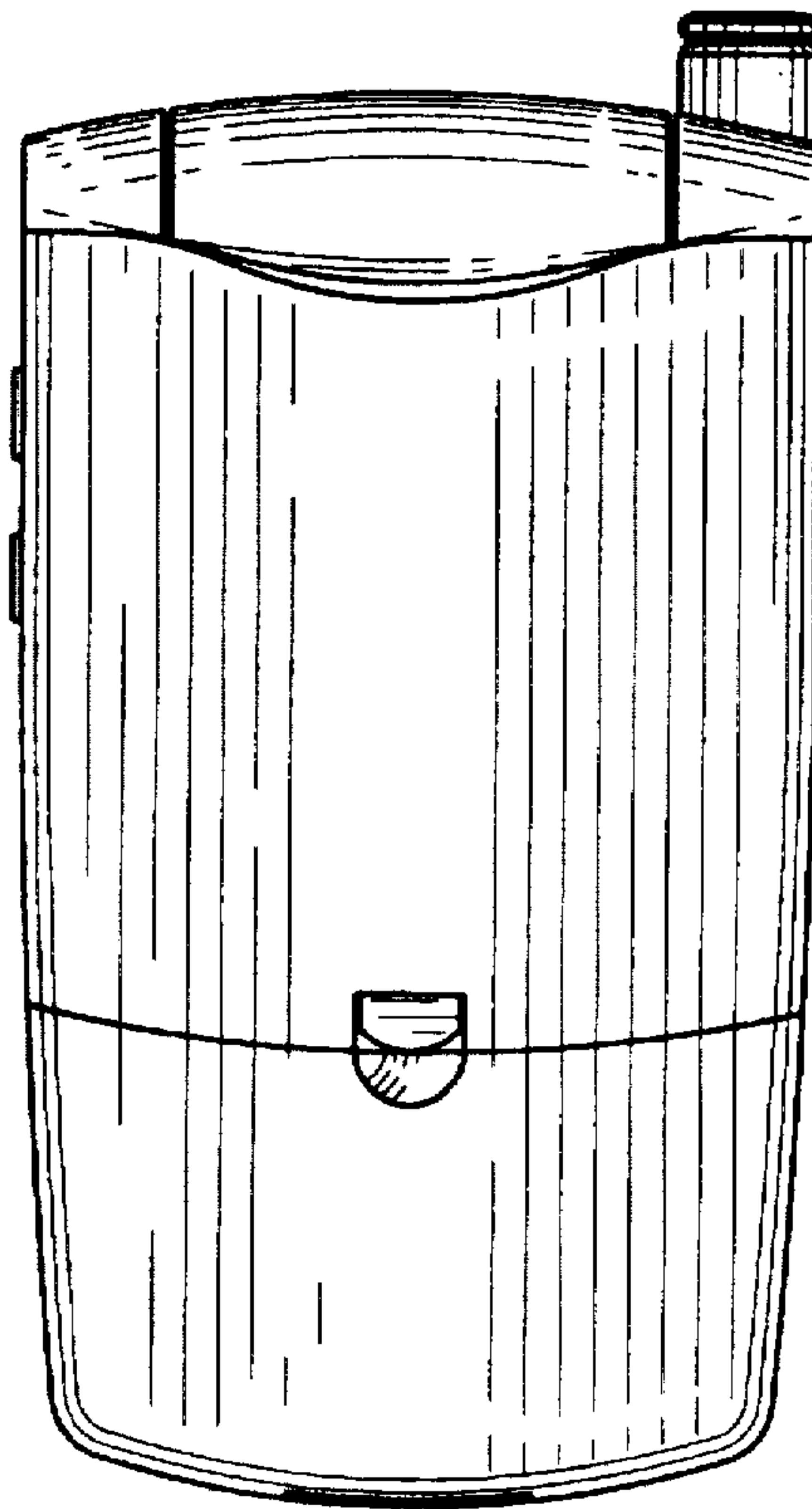


FIG. 3

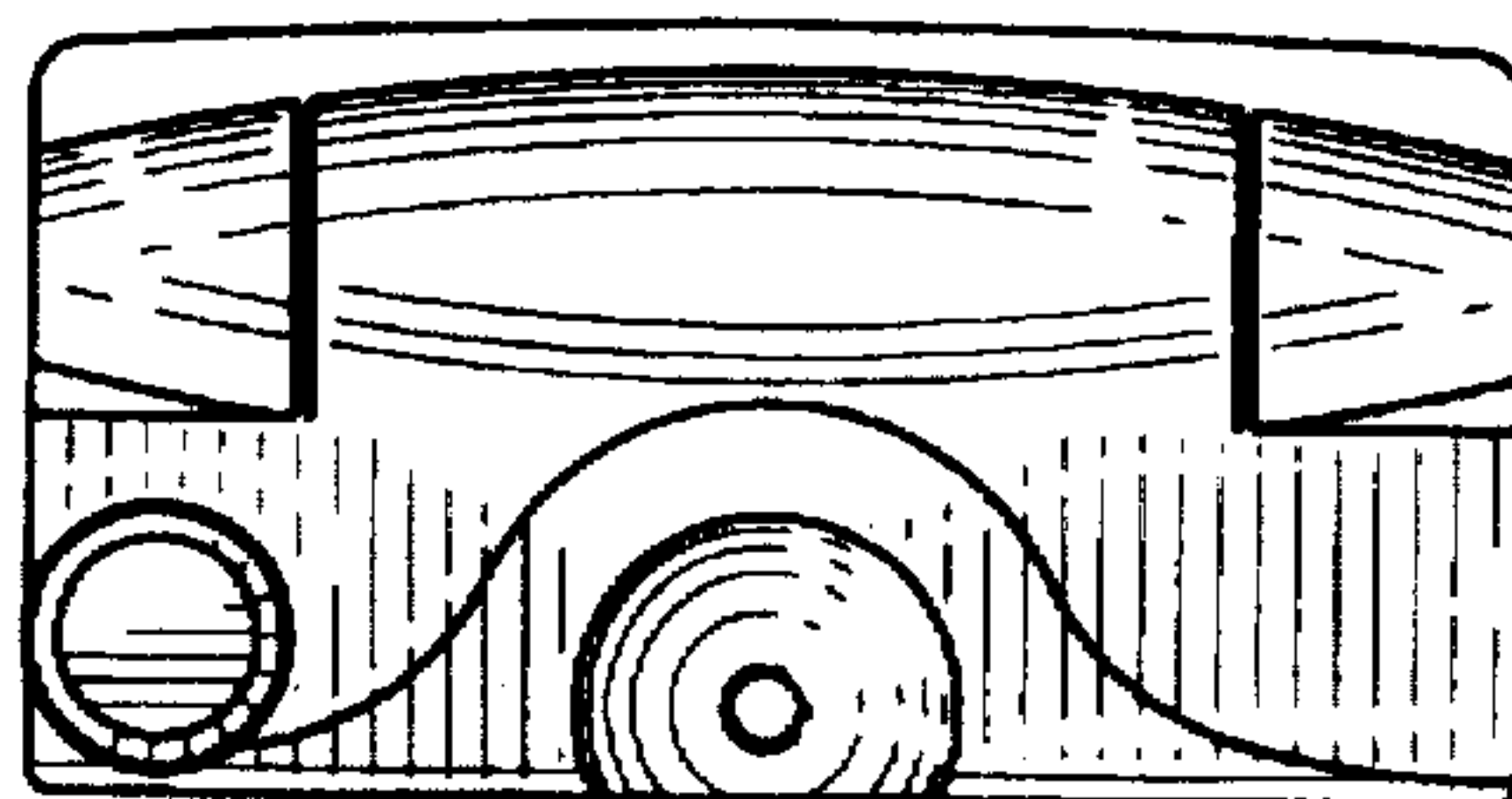


FIG. 4

FIG. 5

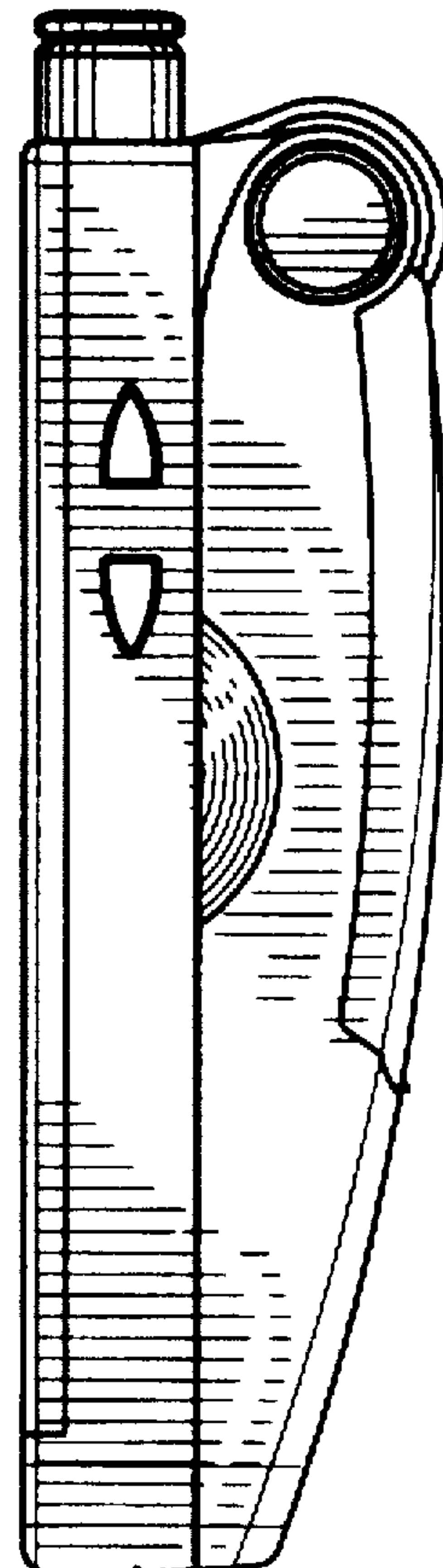
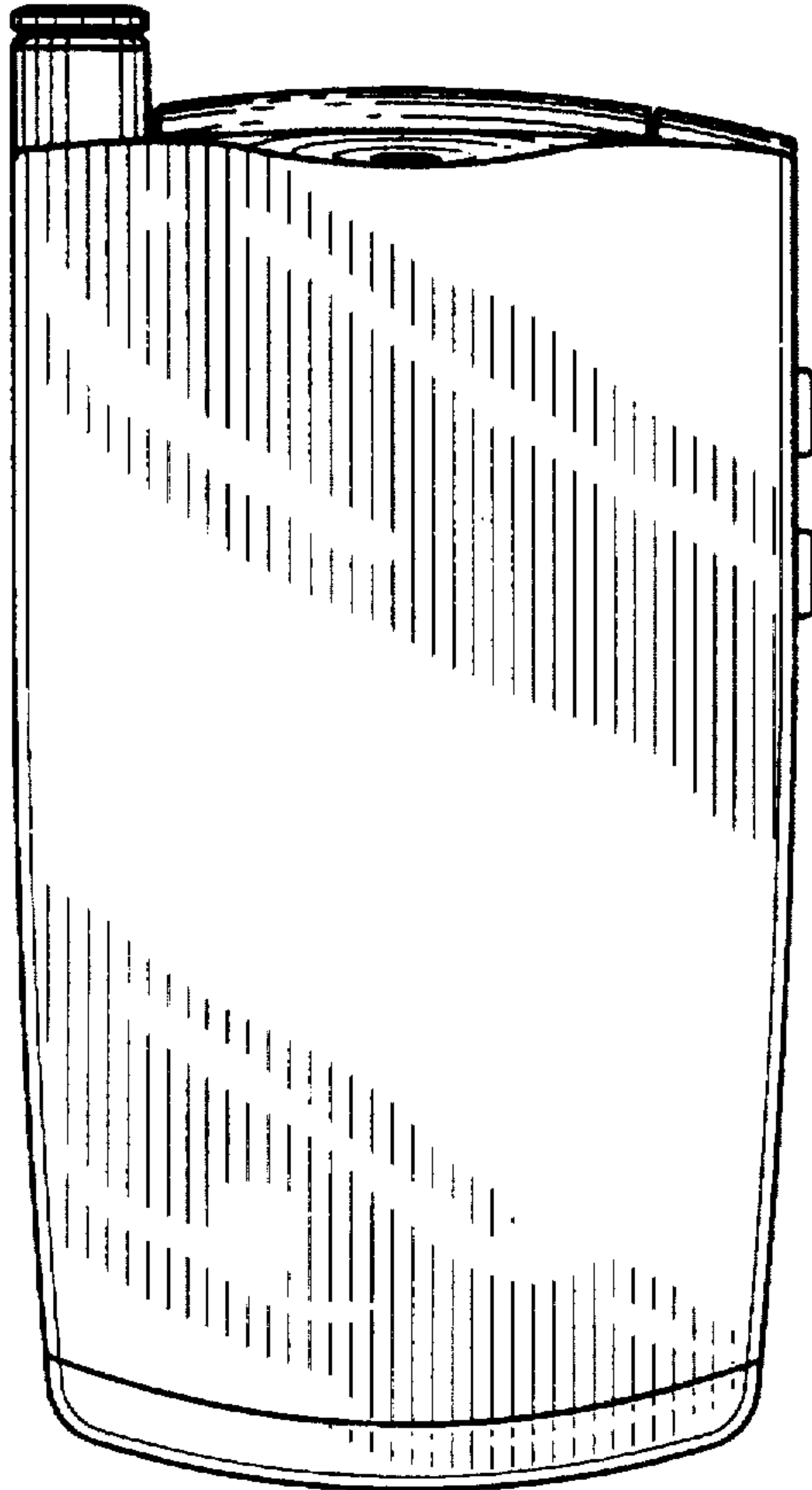


FIG. 6

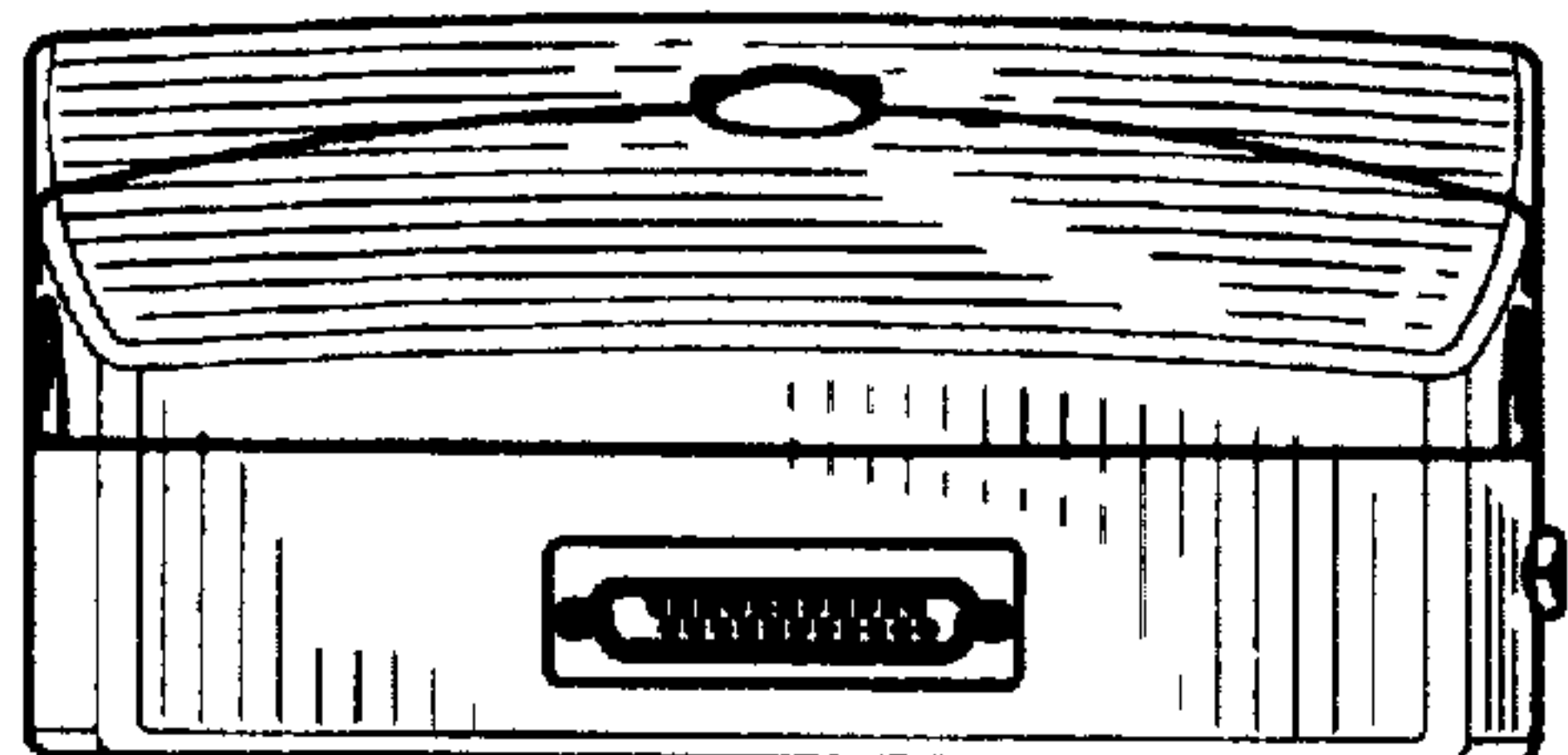


FIG. 7

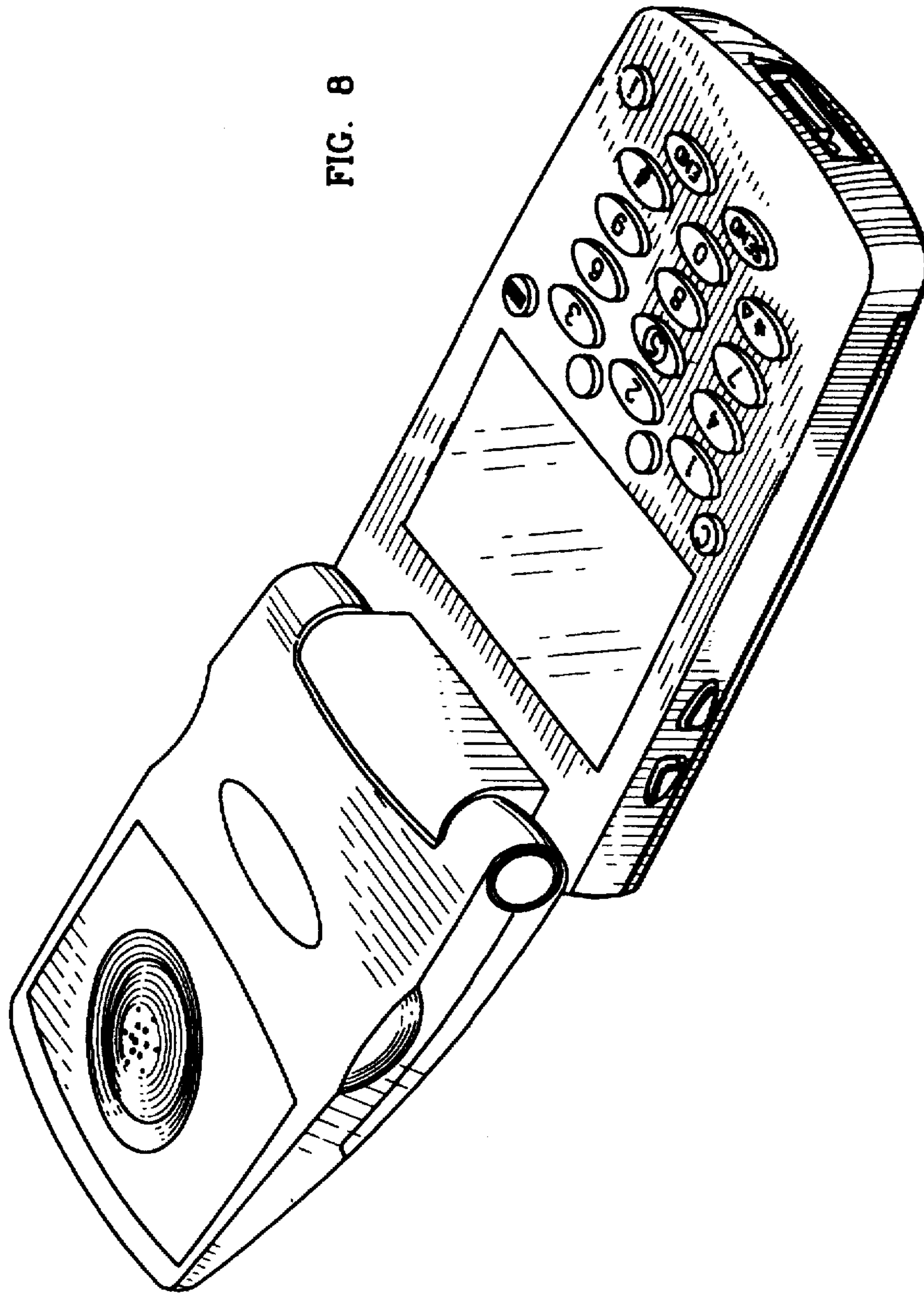


FIG. 8

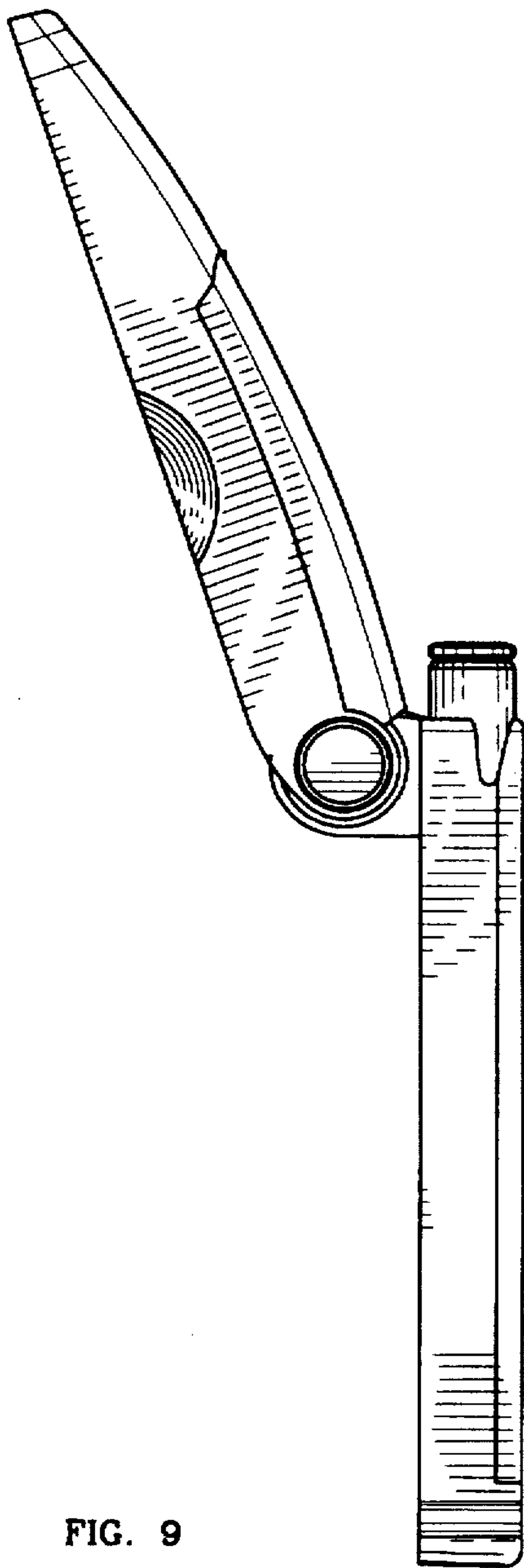


FIG. 9

FIG. 10

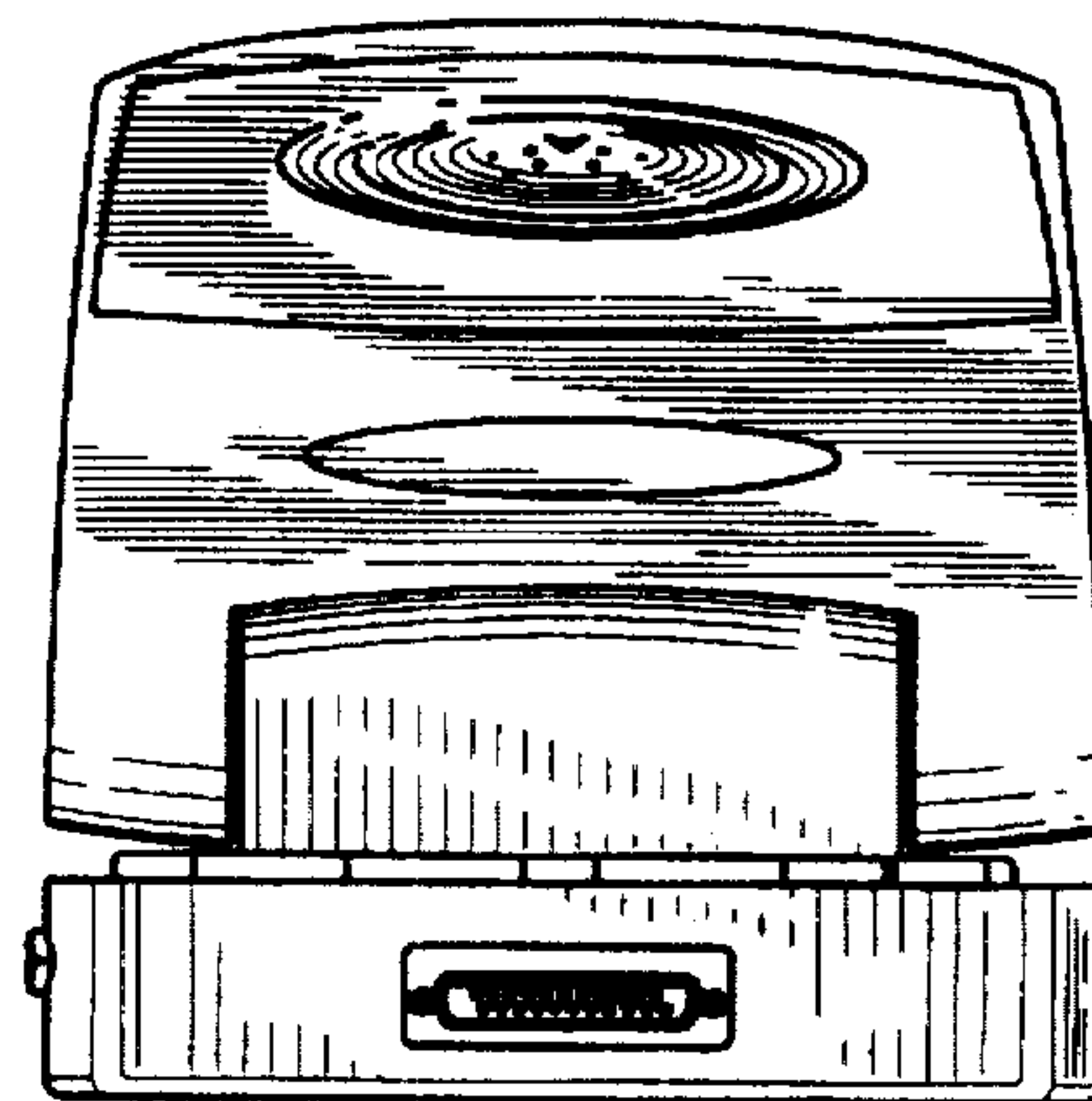
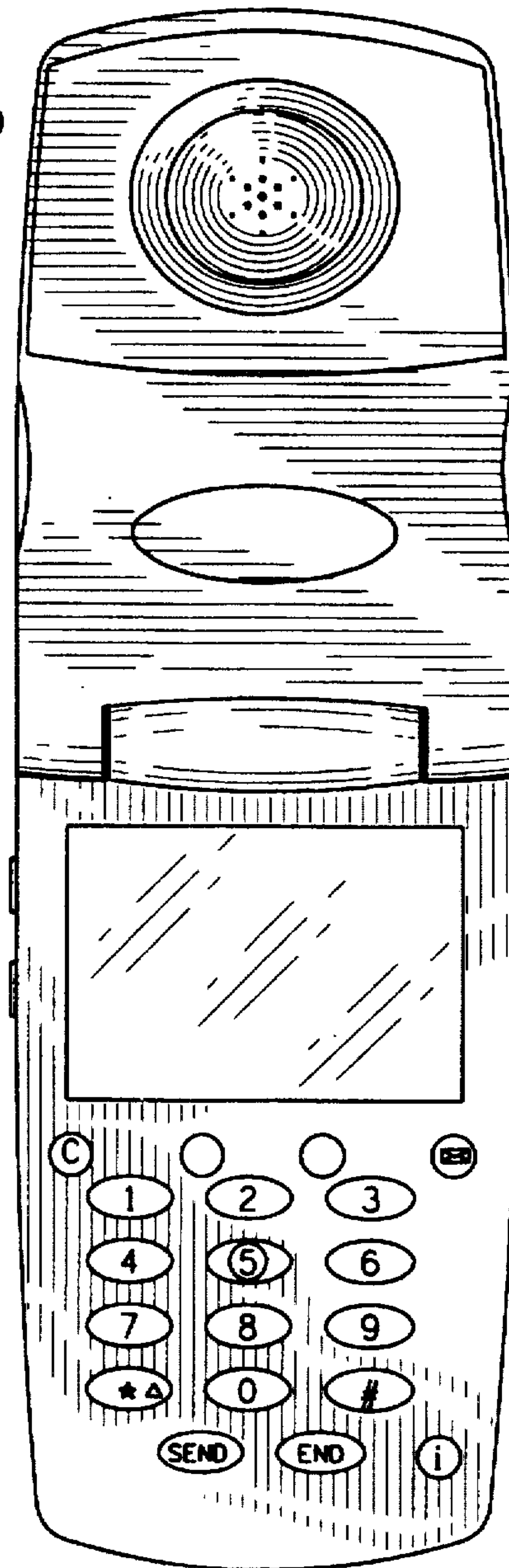


FIG. 11

FIG. 12

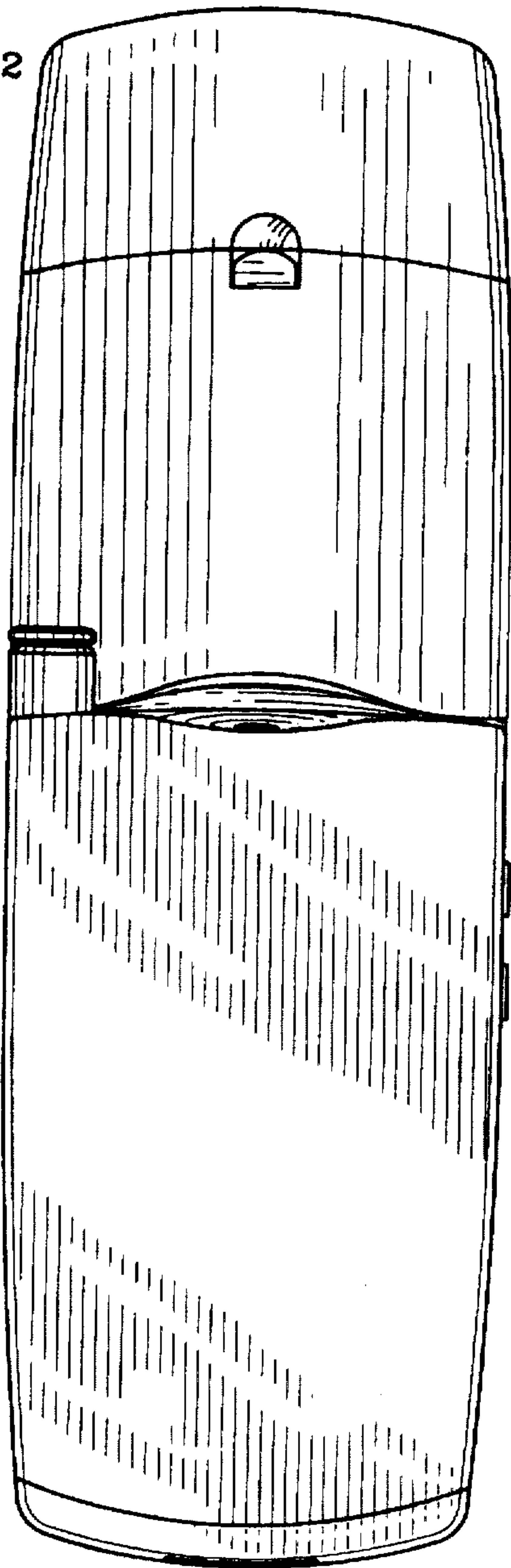


FIG. 13

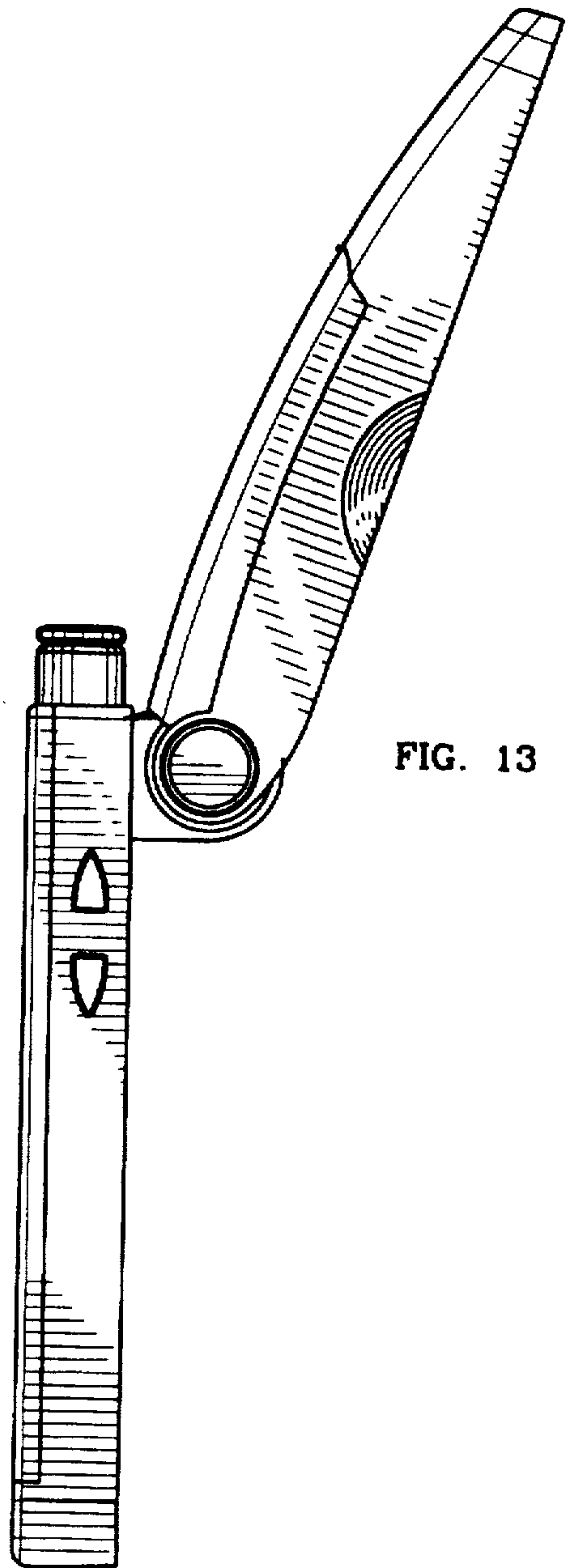


FIG. 14

