

US00D393853S

United States Patent [19]
Maas

[11] **Patent Number: Des. 393,853**

[45] **Date of Patent: **Apr. 28, 1998**

[54] **VIDEO ENTERTAINMENT SYSTEM**

D. 324,863 3/1992 Timm D14/126
D. 373,584 9/1996 Anand D14/126

[75] **Inventor: David Robert Maas, Alpharetta, Ga.**

[73] **Assignee: General Electric Company,
Milwaukee, Wis.**

Primary Examiner—Ted Shooman
Assistant Examiner—Richelle Shelton
Attorney, Agent, or Firm—Scott A. Horstemeyer; John H. Pilarski

[**] **Term: 14 Years**

[57] **CLAIM**

[21] **Appl. No.: 69,484**

The ornamental design of a video entertainment system, as shown and described.

[22] **Filed: Apr. 21, 1997**

DESCRIPTION

[51] **LOC (6) Cl. 14-03**

[52] **U.S. Cl. D14/126; D14/114; D14/239**

[58] **Field of Search D14/113, 114,
D14/124-134, 239; 248/917-924; 312/7.2;
348/825, 827, 836-838; D26/93**

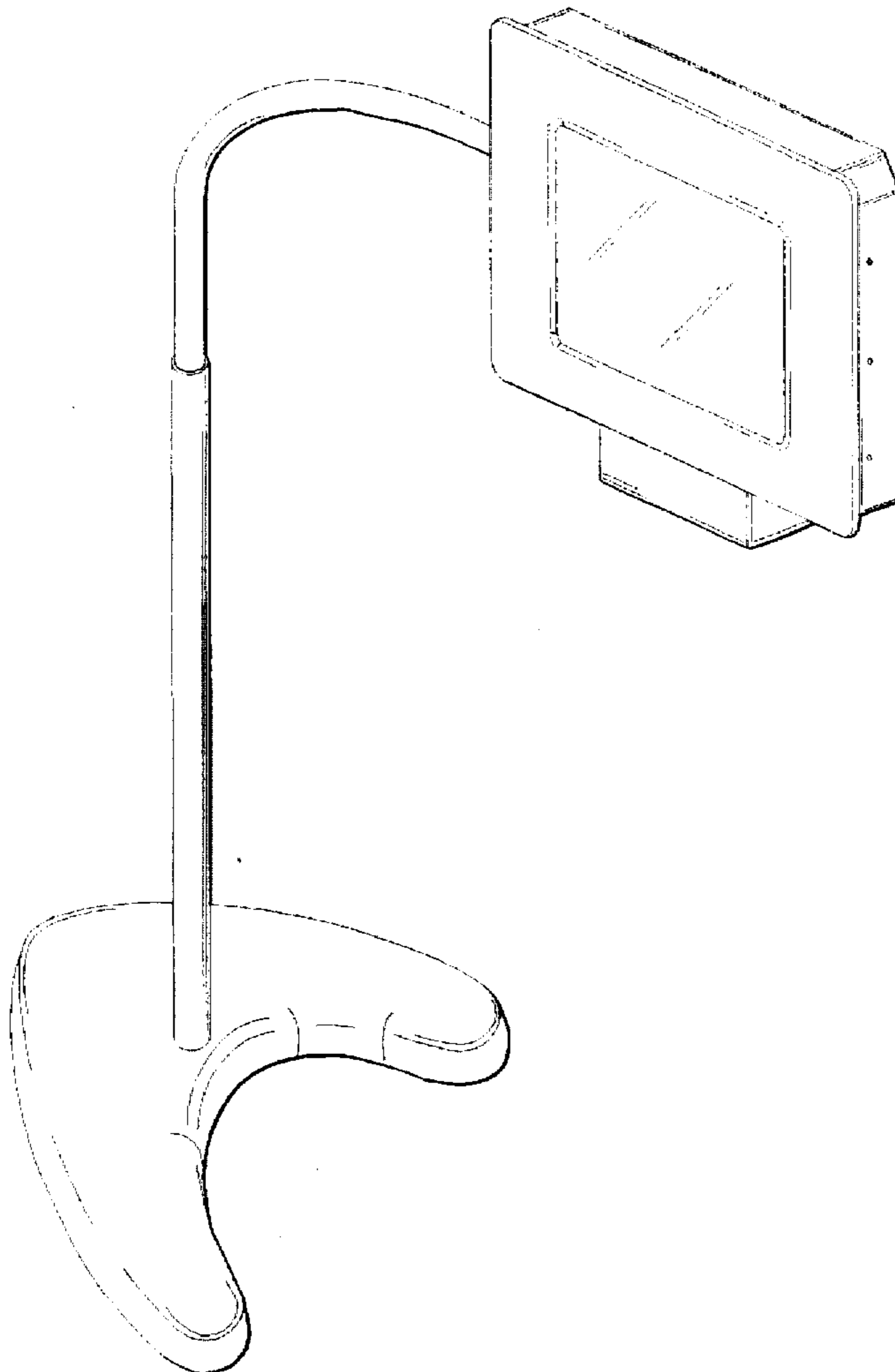
FIG. 1 is a perspective view of a video entertainment system showing my new design;
FIG. 2 is a front elevational view thereof;
FIG. 3 is a left side elevational view thereof;
FIG. 4 is a right side elevational view thereof;
FIG. 5 is a rear elevational view thereof;
FIG. 6 is a top view thereof; and,
FIG. 7 is a bottom view thereof.

[56] **References Cited**

U.S. PATENT DOCUMENTS

D. 247,748 4/1978 Ebner et al. D14/113
D. 262,407 12/1981 Ball D26/93 X
D. 294,701 3/1988 Horii D14/126

1 Claim, 5 Drawing Sheets



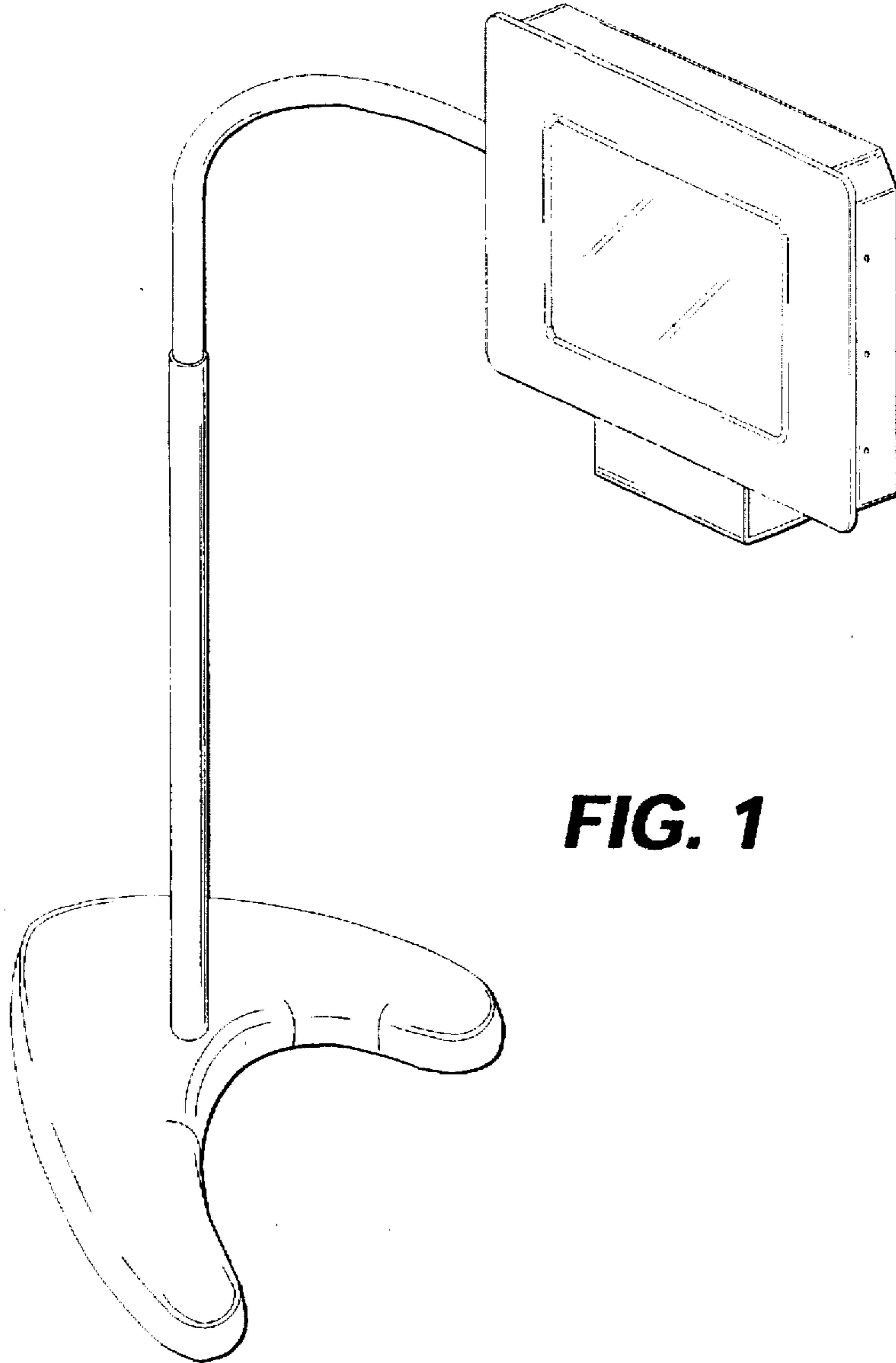


FIG. 1

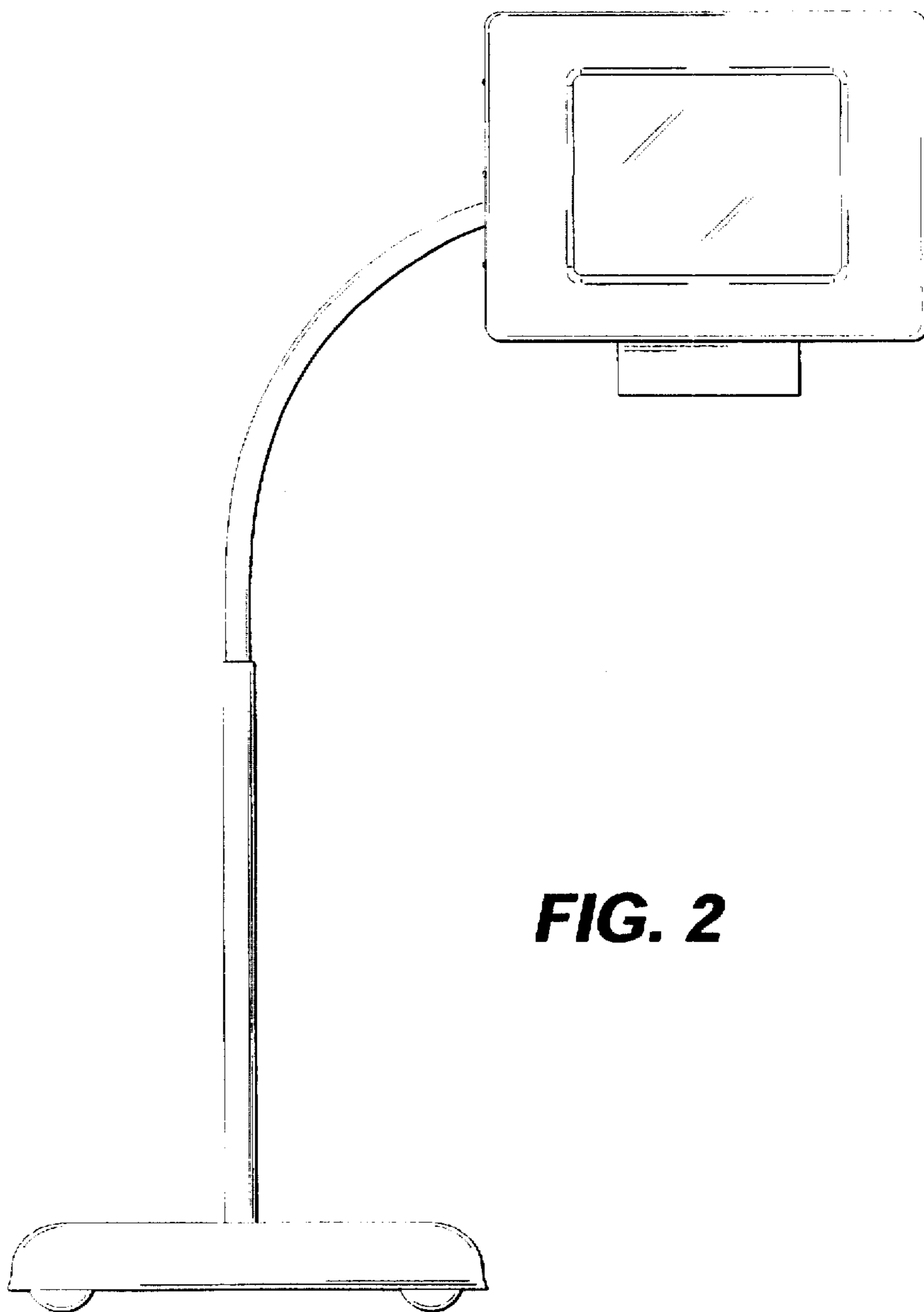


FIG. 2

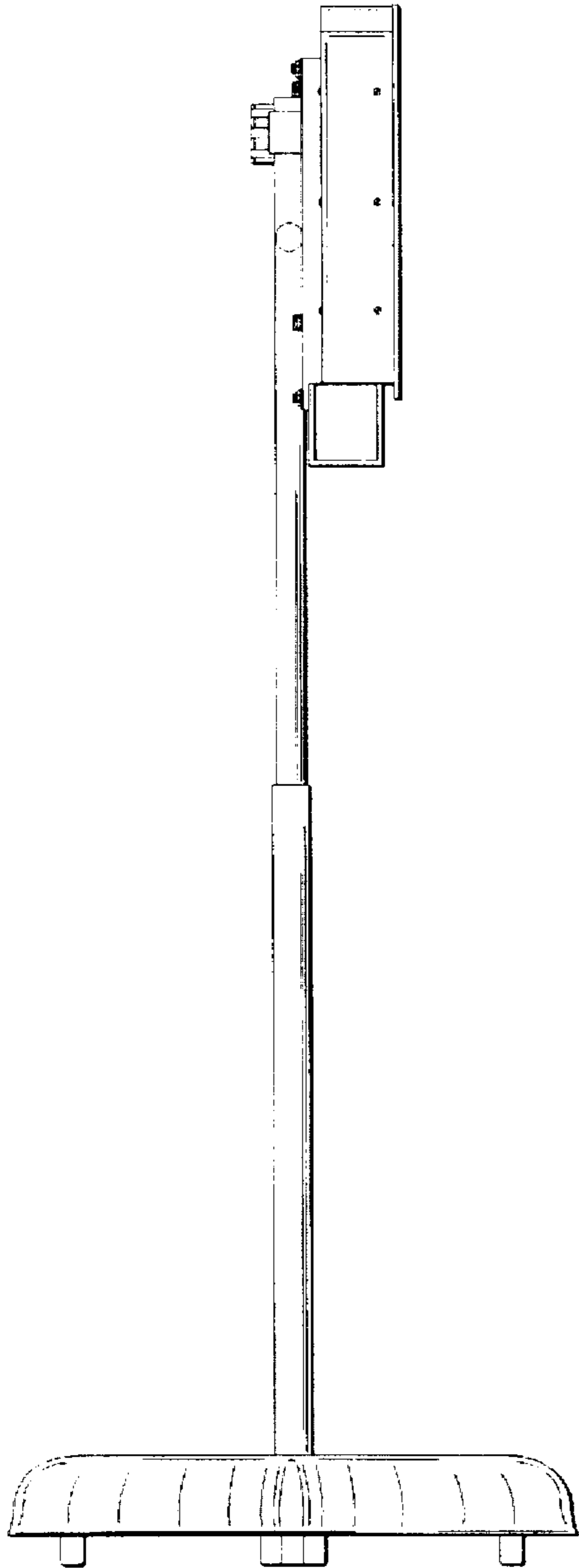


FIG. 3

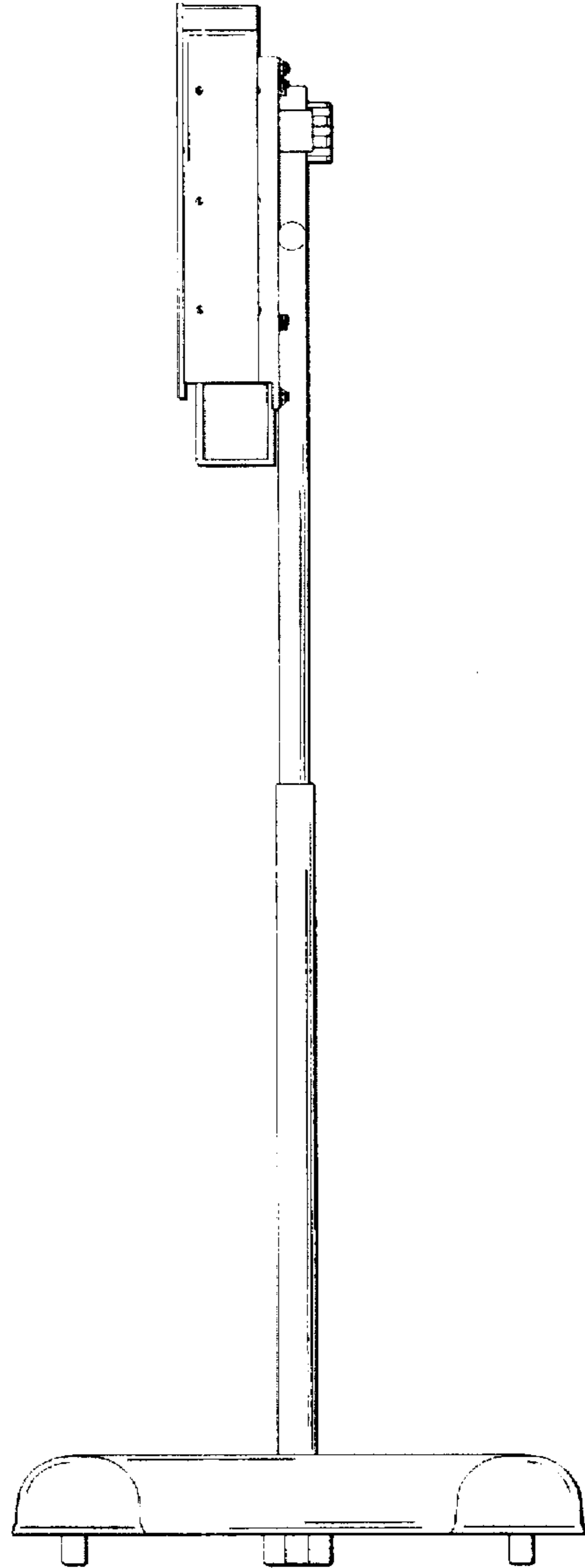


FIG. 4

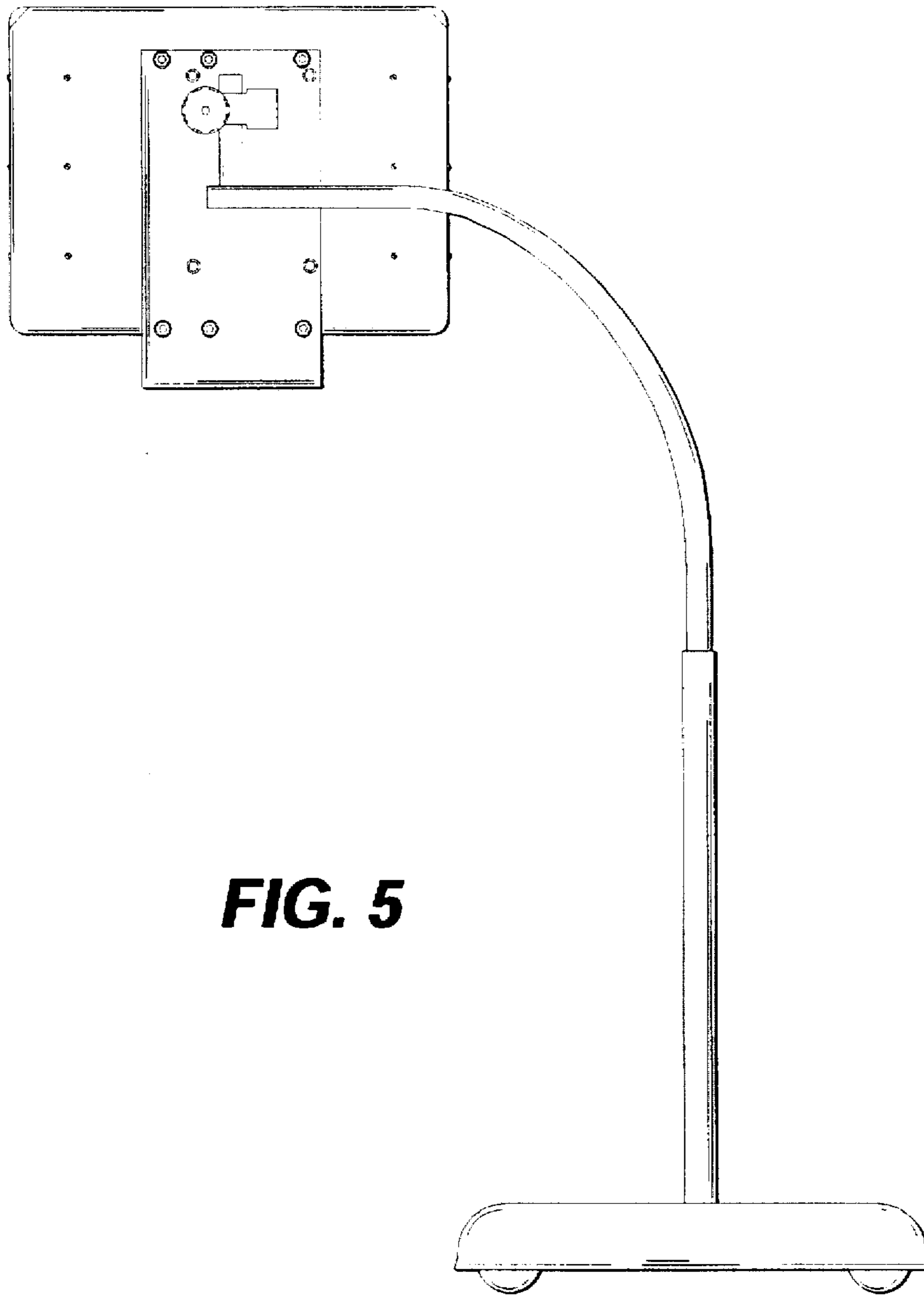


FIG. 5

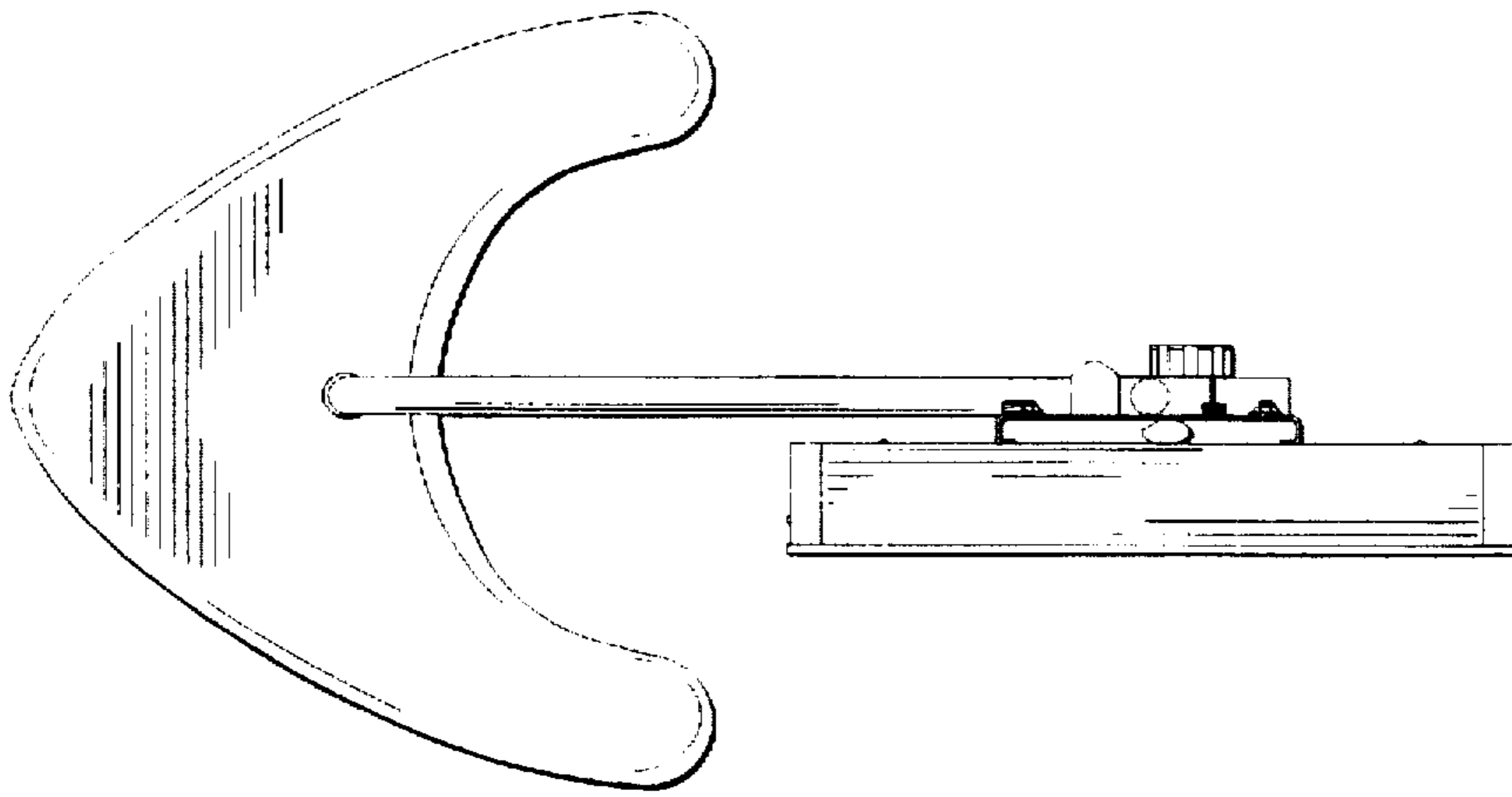


FIG. 6

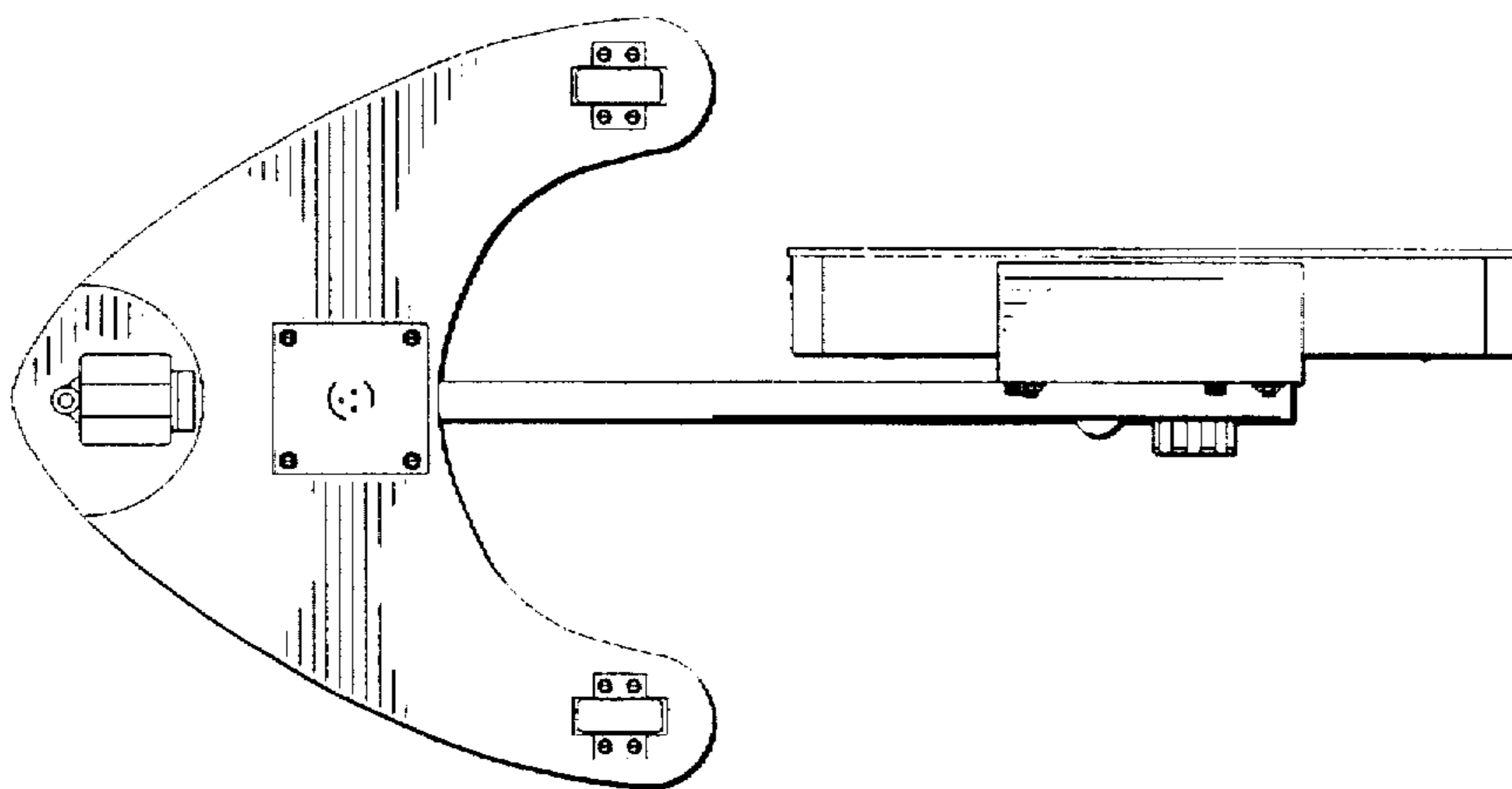


FIG. 7