



US00D393838S

**United States Patent** [19]  
**Pandolfi**

[11] **Patent Number: Des. 393,838**  
[45] **Date of Patent: \*\*Apr. 28, 1998**

[54] **HAND-HELD DISPLAY**

[75] **Inventor: Richard Pandolfi, Smithtown, N.Y.**

[73] **Assignee: IV Phoenix Group Inc., Hauppauge, N.Y.**

[\*\*] **Term: 14 Years**

[21] **Appl. No.: 70,506**

[22] **Filed: May 9, 1997**

[51] **LOC (6) Cl. .... 14-02**

[52] **U.S. Cl. .... D14/113; D19/52; D19/59**

[58] **Field of Search .... D14/100, 106, D14/115, 113, 124-127; D19/52, 59, 60, 62; 345/104, 156, 173, 168; 364/708.1; 434/307-309, 317; 178/18, 19**

[56] **References Cited**

**U.S. PATENT DOCUMENTS**

D. 346,620 5/1994 McSorley ..... D19/59  
D. 356,335 3/1995 Mak ..... D19/52

*Primary Examiner*—Freda Nunn  
*Attorney, Agent, or Firm*—Lane, Aitken & McCann

[57] **CLAIM**

The ornamental design for a hand-held display, as shown and described.

**DESCRIPTION**

FIG. 1 is a front view of one embodiment for a hand-held display of the present invention;  
FIG. 2 is a right-side view of the embodiment of the invention shown in FIG. 1, the left-side view is the same as the right side view;  
FIG. 3 is a top view of the embodiment of the invention shown in FIG. 1, the bottom view is the same as the top view;  
FIG. 4 is a back view of the embodiment of the invention shown in FIG. 1;  
FIG. 5 is a front view of an alternate embodiment of the hand-held display of the present invention;  
FIG. 6 is a right-side view of the embodiment of the invention shown in FIG. 5 the left-side view is the same as the right side view;  
FIG. 7 is a top view of the embodiment of the invention shown in FIG. 5;  
FIG. 8 is a bottom view of the embodiment of the invention shown in FIG. 5;  
FIG. 9 is a back view of the embodiment of the invention shown in FIG. 5.

**1 Claim, 4 Drawing Sheets**

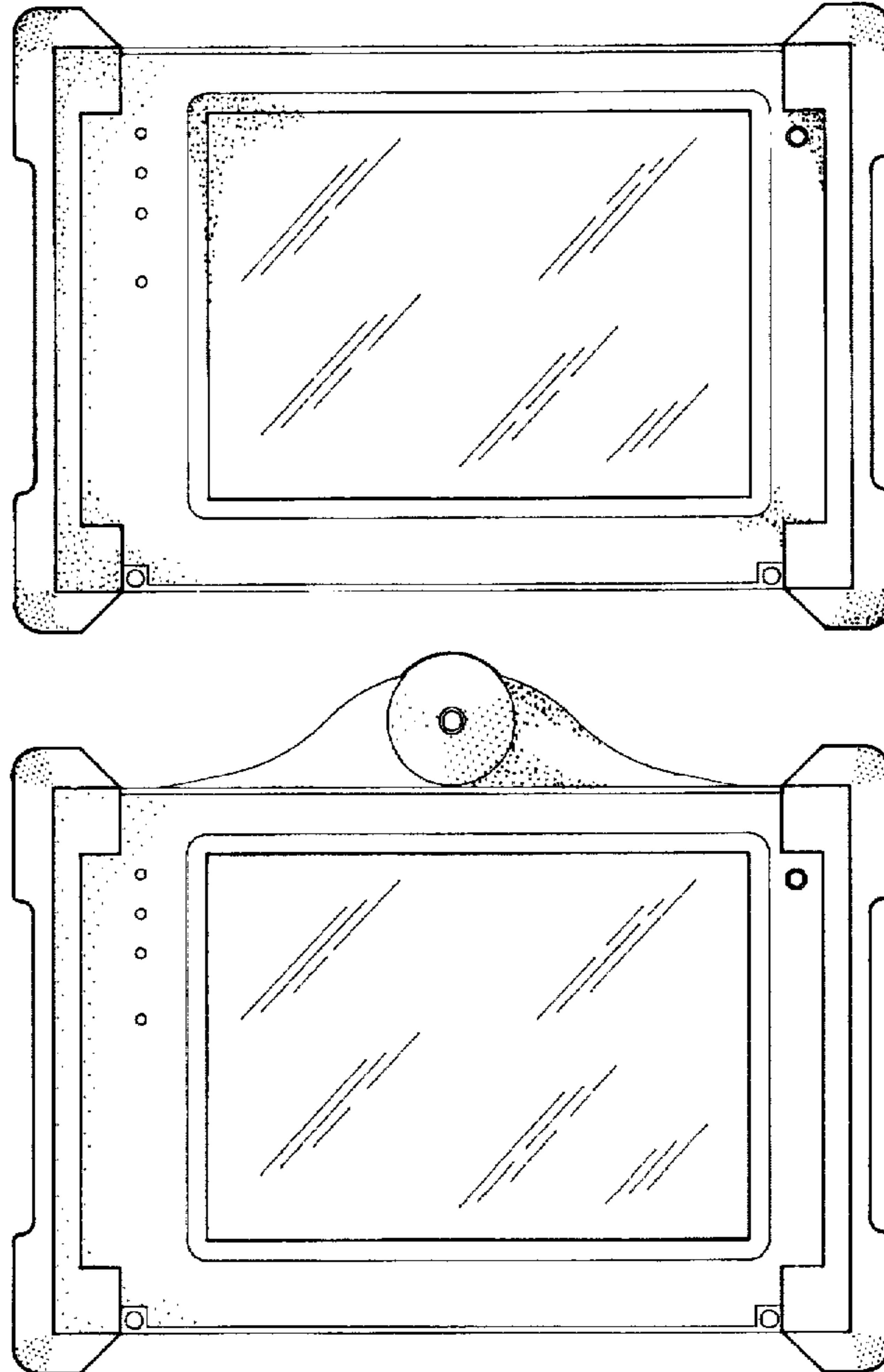




FIG. 2

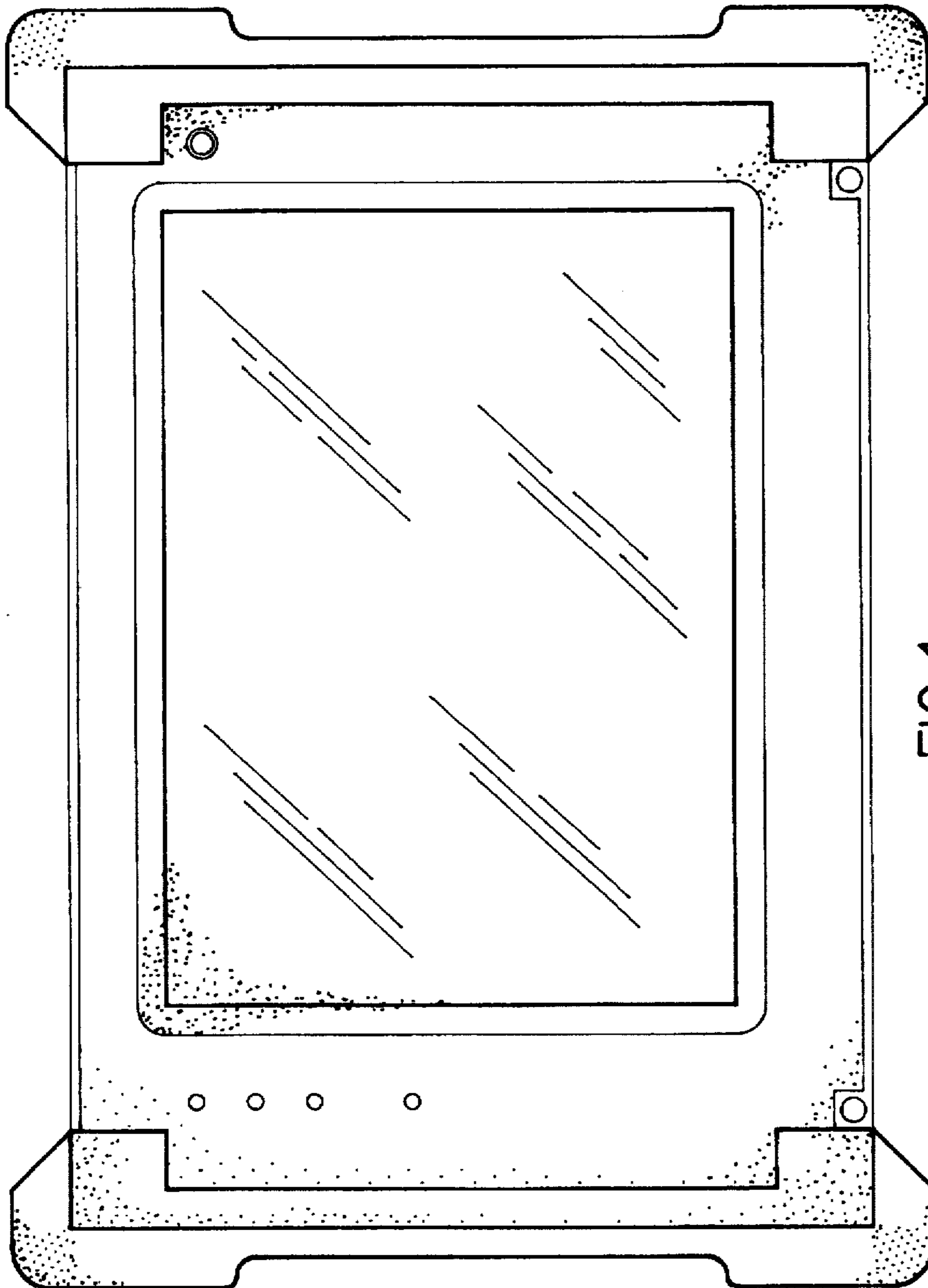


FIG. 1



FIG. 3

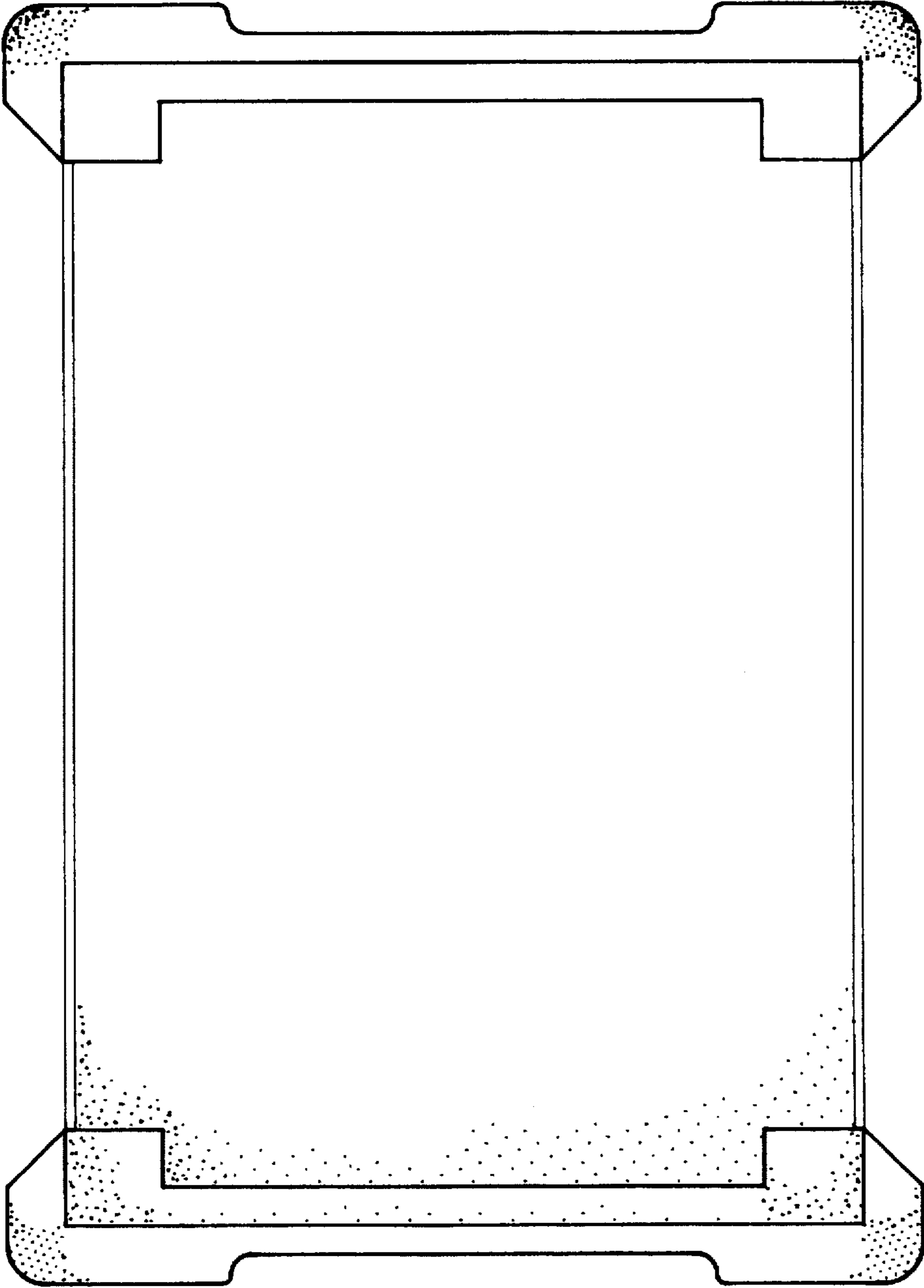


FIG.4

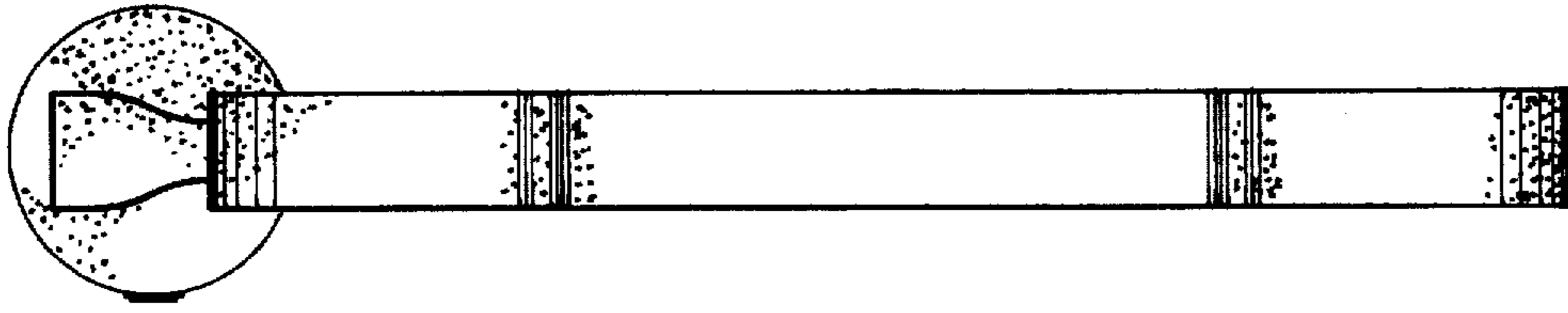


FIG. 6

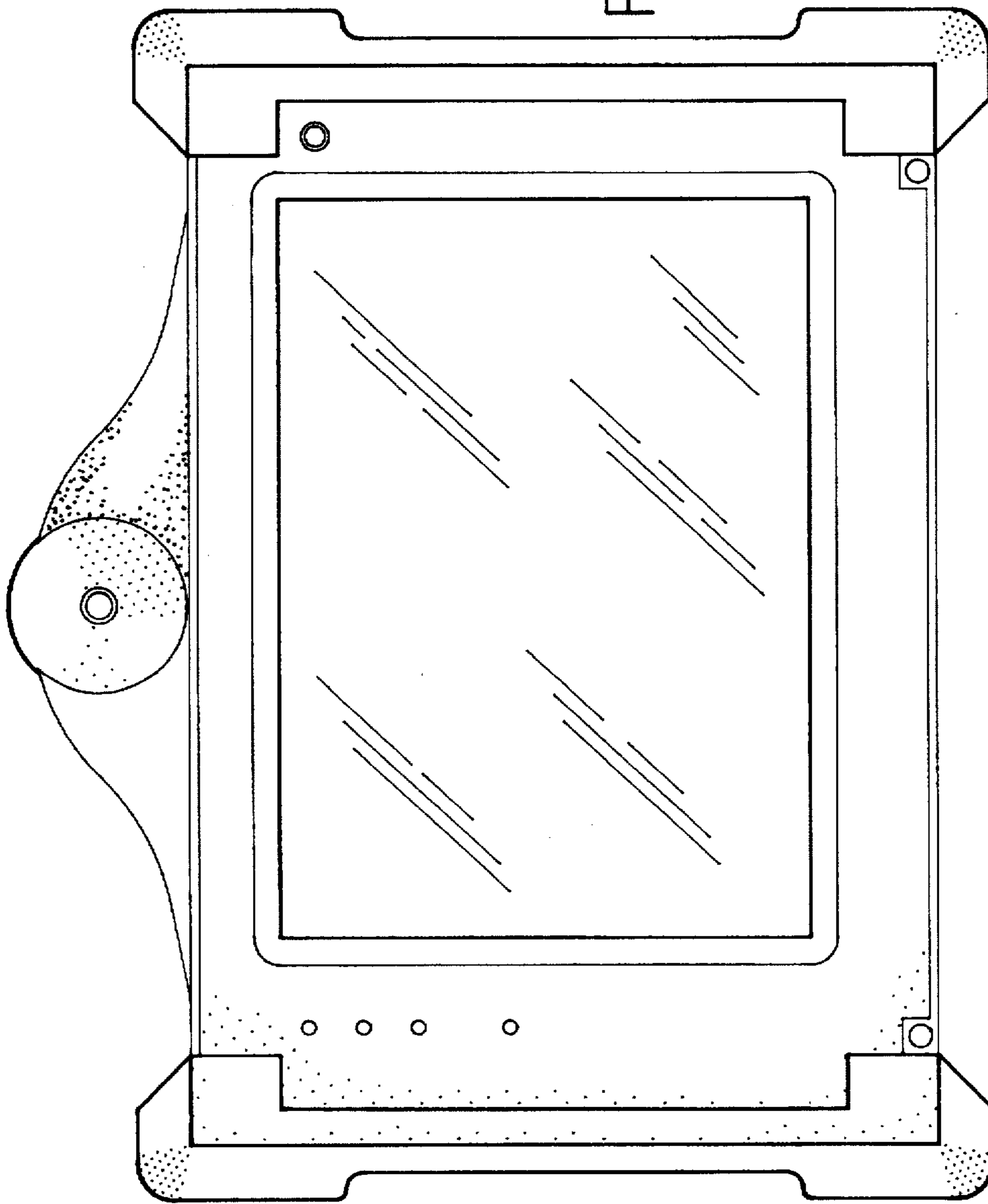


FIG. 5

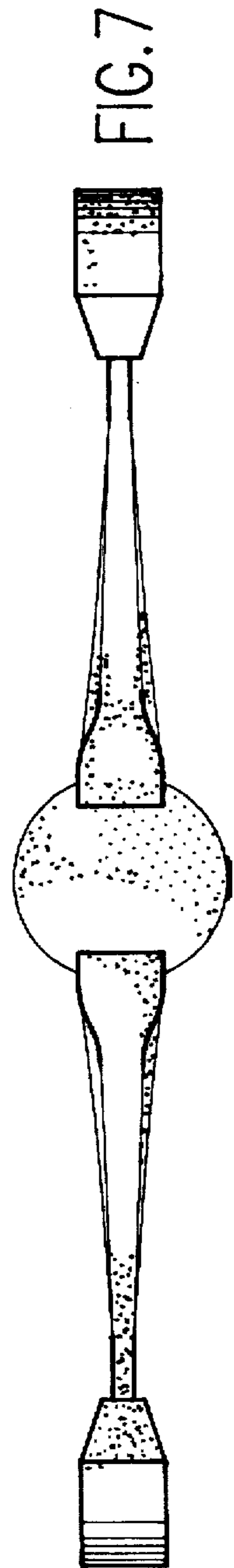


FIG. 7

FIG. 9

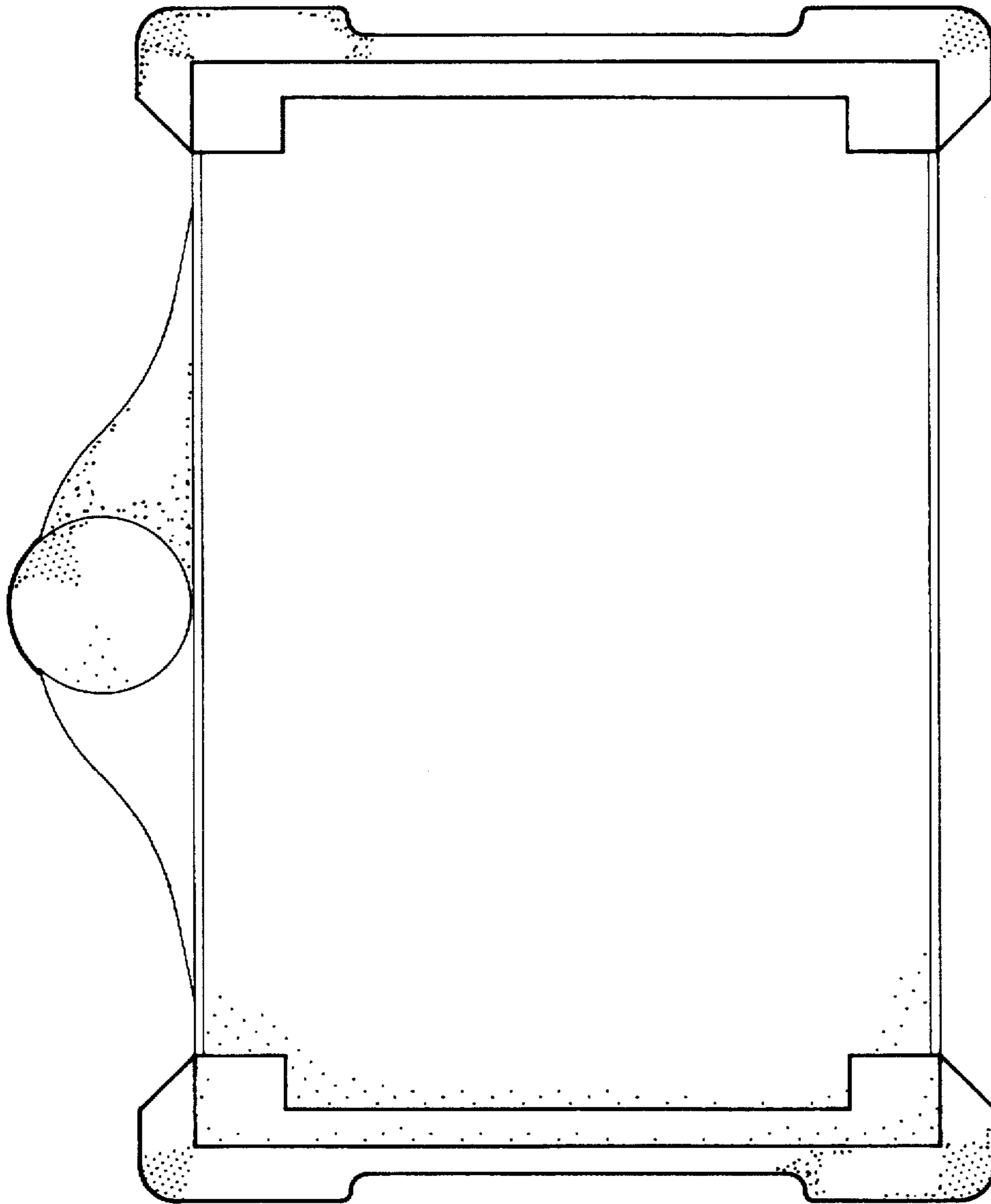


FIG. 8

