

US00D393837S

United States Patent [19]

Umetsu et al.

[11] Patent Number: Des. 393,837

[45] Date of Patent: **Apr. 28, 1998

[54] FINGERPRINT DISTINCTION READER

D. 367,270 2/1996 Levering D14/107

[75] Inventors: Hitoshi Umetsu; Tetsuya Iino, both of Kawasaki, Japan

FOREIGN PATENT DOCUMENTS

950795 1/1996 Japan .

[73] Assignee: Fujitsu Denso, Ltd., Kanagawa-ken, Japan

Primary Examiner—Freda Nunn
Attorney, Agent, or Firm—Kalish & Gilster

[**] Term: 14 Years

[57] CLAIM

[21] Appl. No.: 55,341

The ornamental design for a fingerprint distinction reader, as shown and described.

[22] Filed: Jun. 4, 1996

DESCRIPTION

[51] LOC (6) Cl. 14-02

[52] U.S. Cl. D14/107

[58] Field of Search D14/105, 107;
356/71; 382/124-126, 181; 283/69, 68;
235/380, 382, 382.5; 118/31.5

FIG. 1 is a perspective view of a fingerprint distinction reader showing our new design;
FIG. 2 is a top plan view thereof;
FIG. 3 is a bottom plan view thereof;
FIG. 4 is a front elevational view thereof;
FIG. 5 is a rear elevational view thereof;
FIG. 6 is a right side elevational view thereof; and,
FIG. 7 is a left side elevational view thereof.

[56] References Cited

U.S. PATENT DOCUMENTS

D. 308,863 6/1990 Soren et al. D14/107

1 Claim, 4 Drawing Sheets

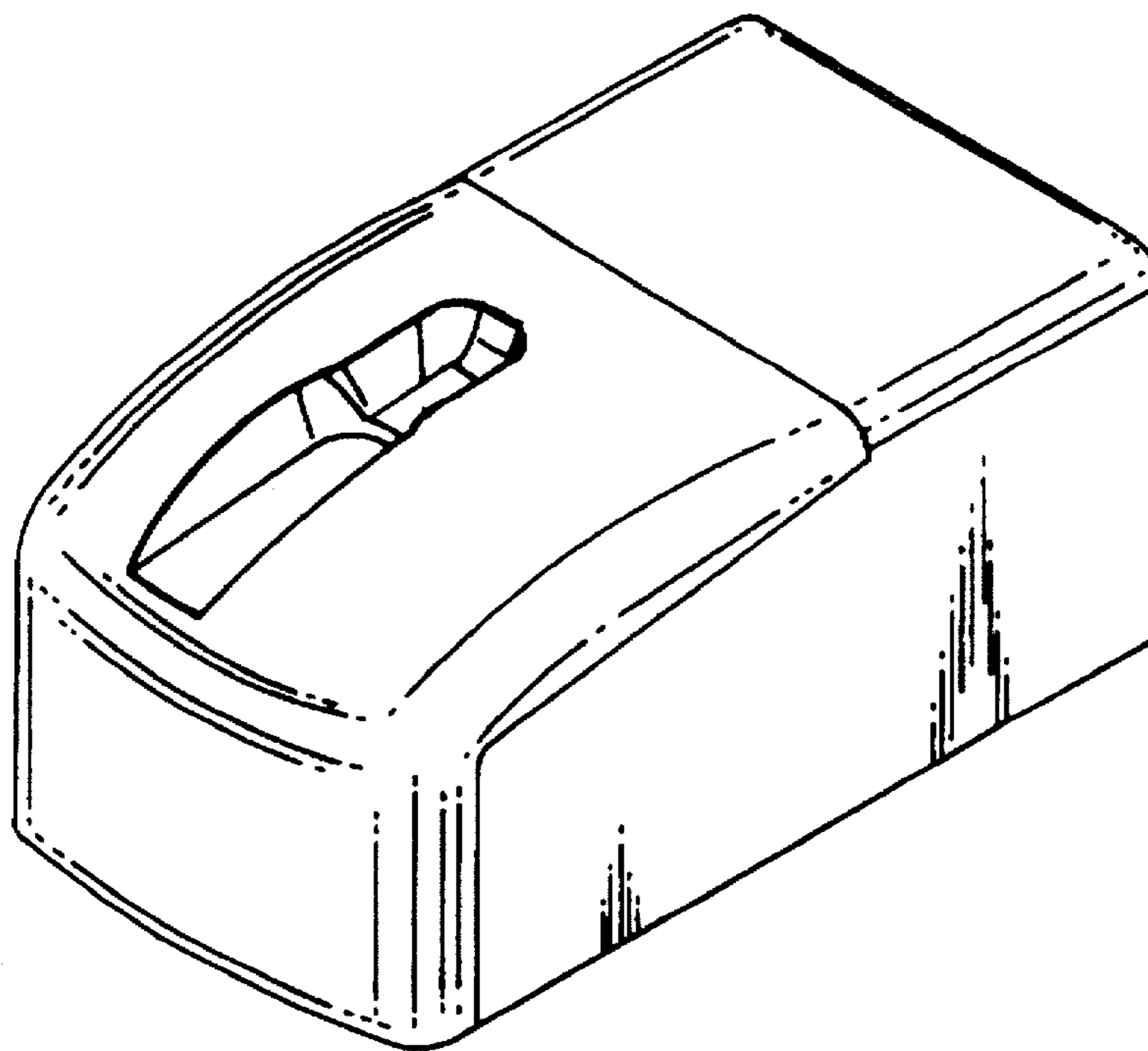


FIG. 1

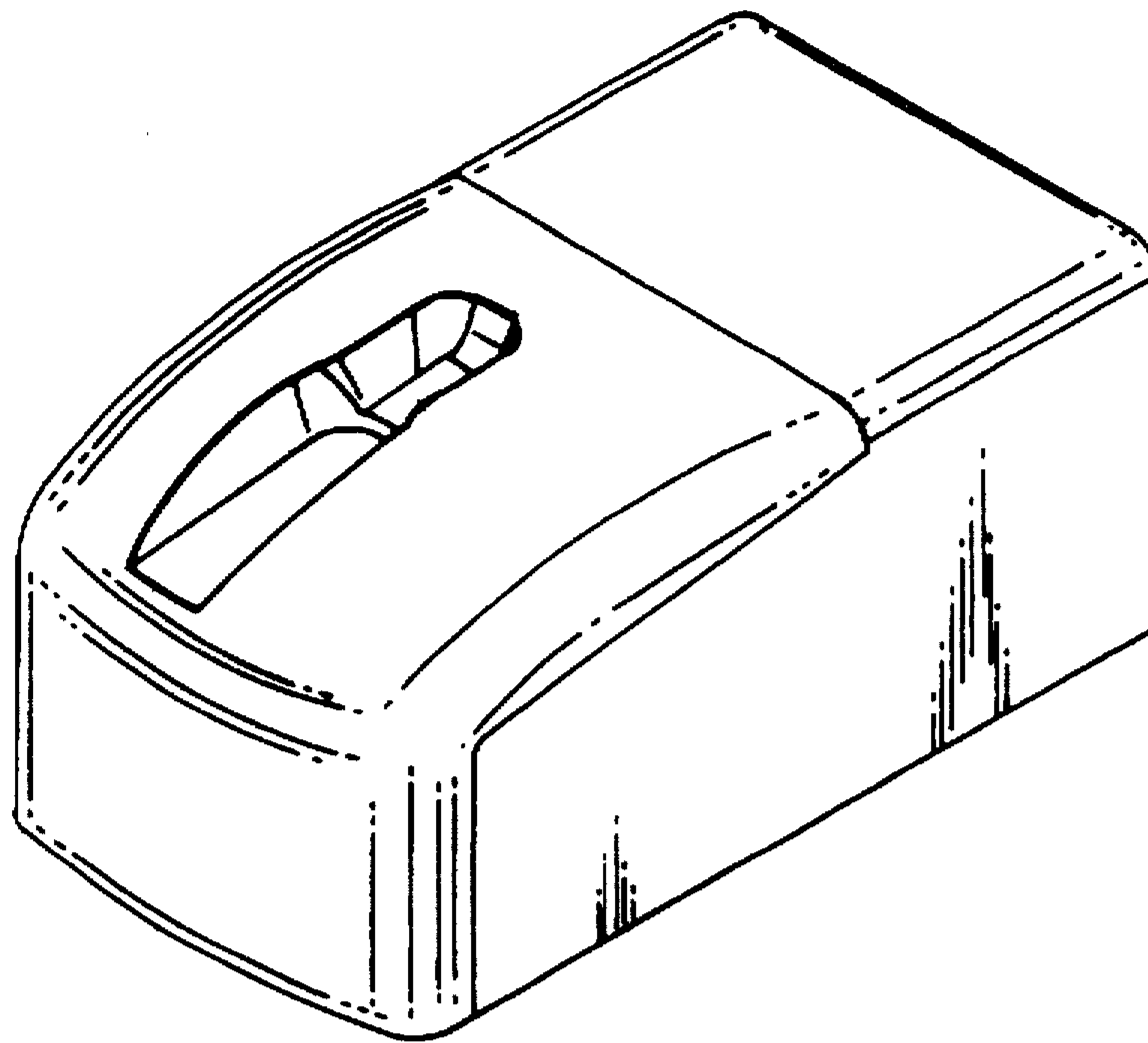


FIG. 2

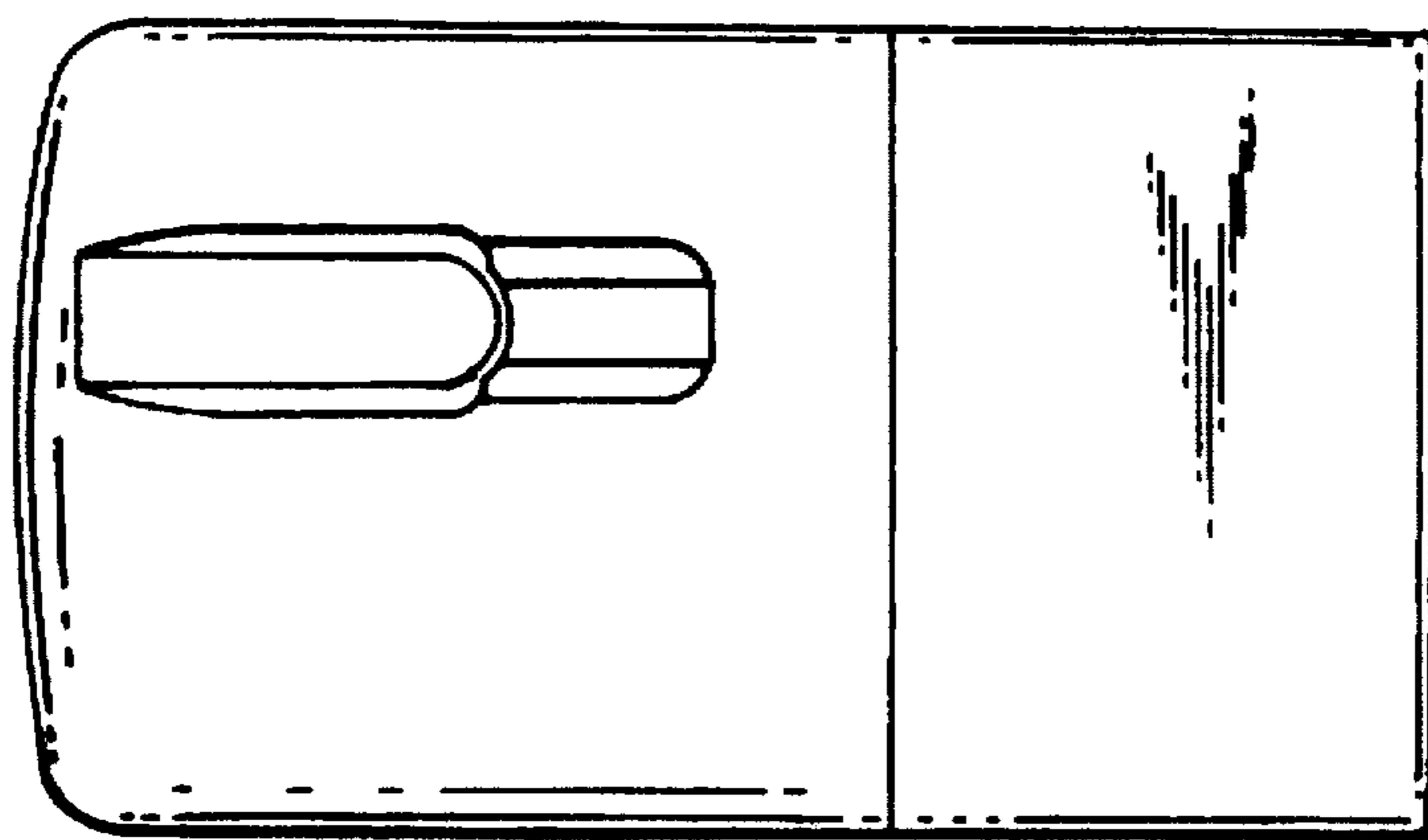


FIG. 3

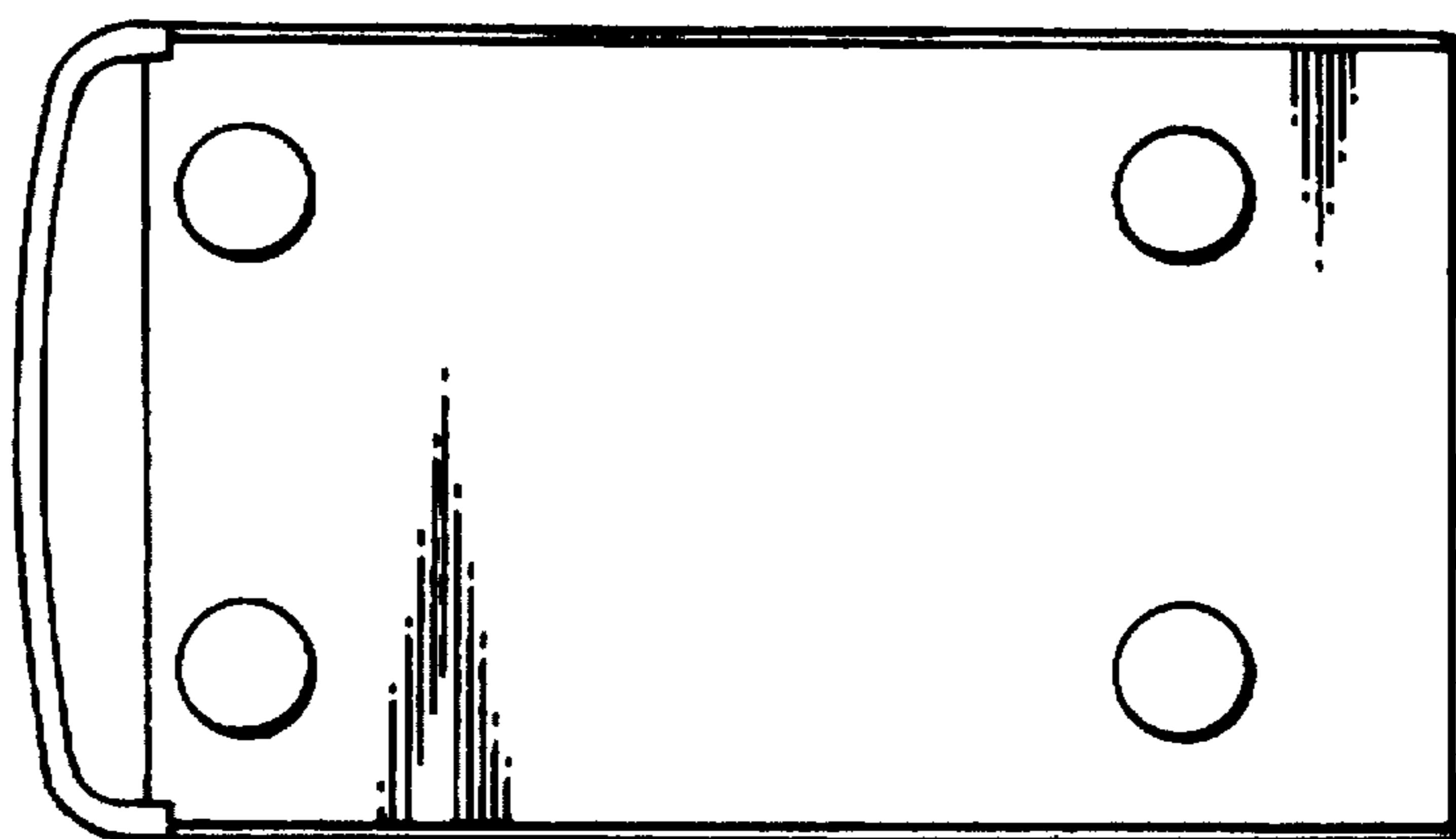


FIG. 4

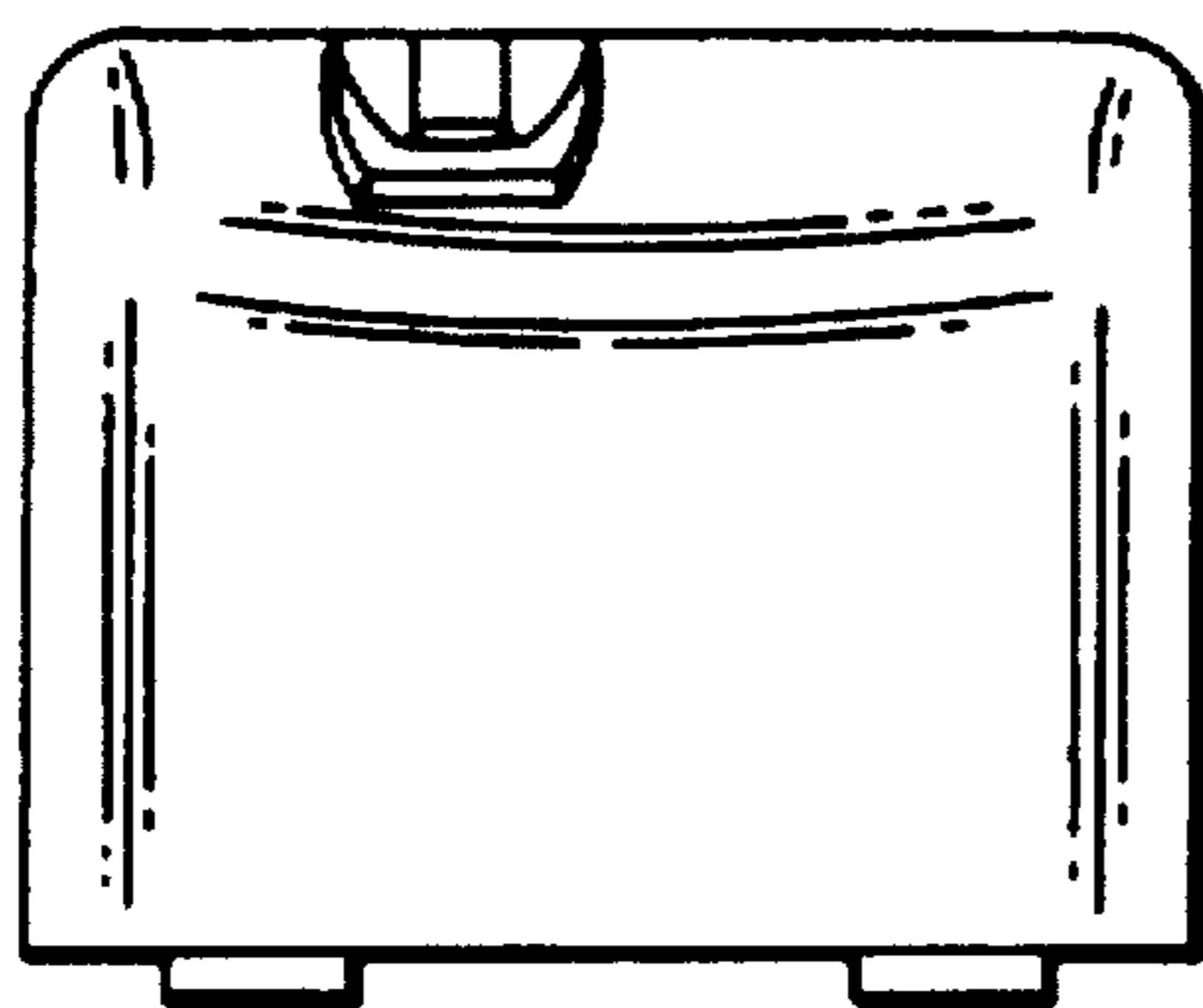


FIG. 5

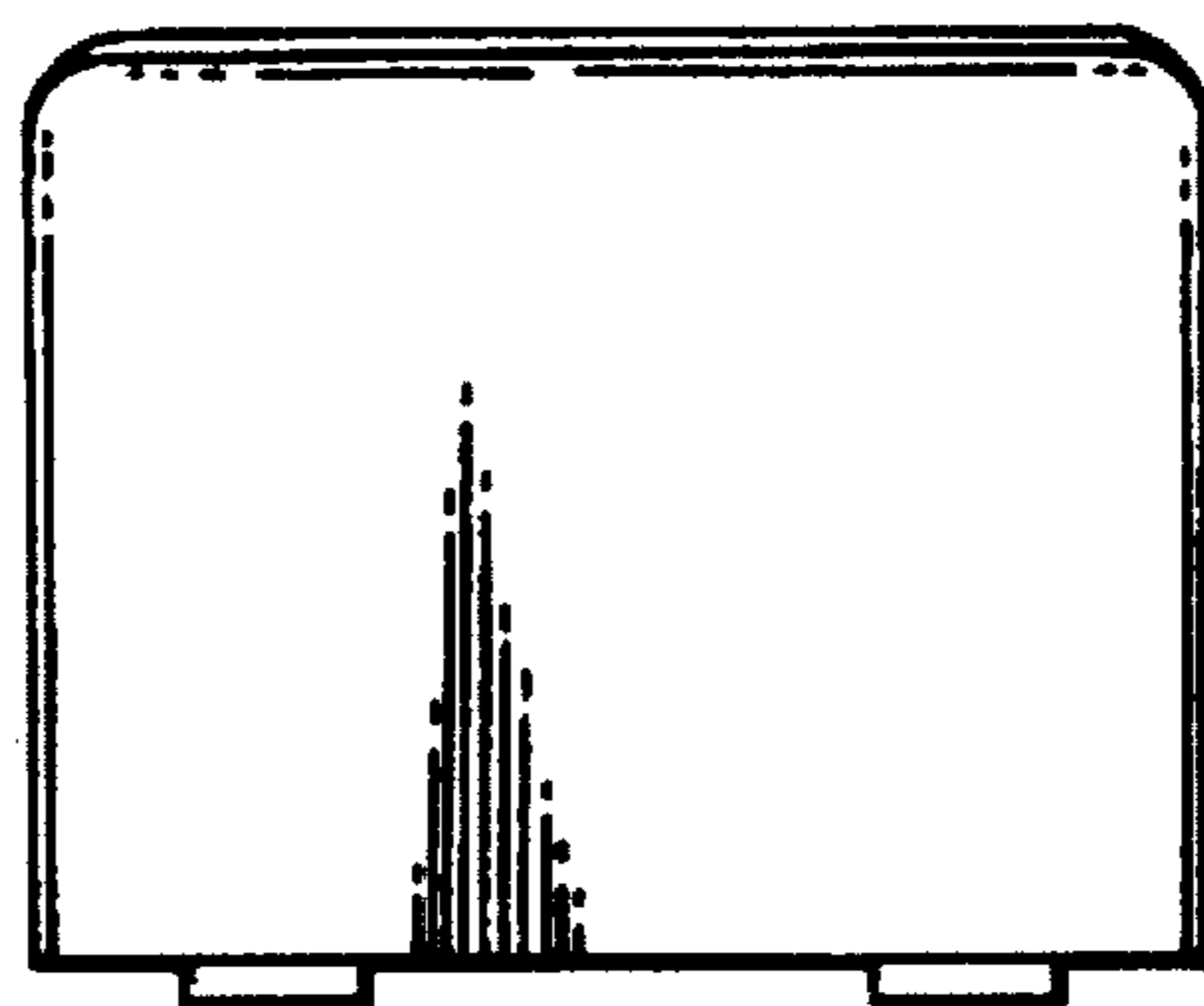


FIG. 6

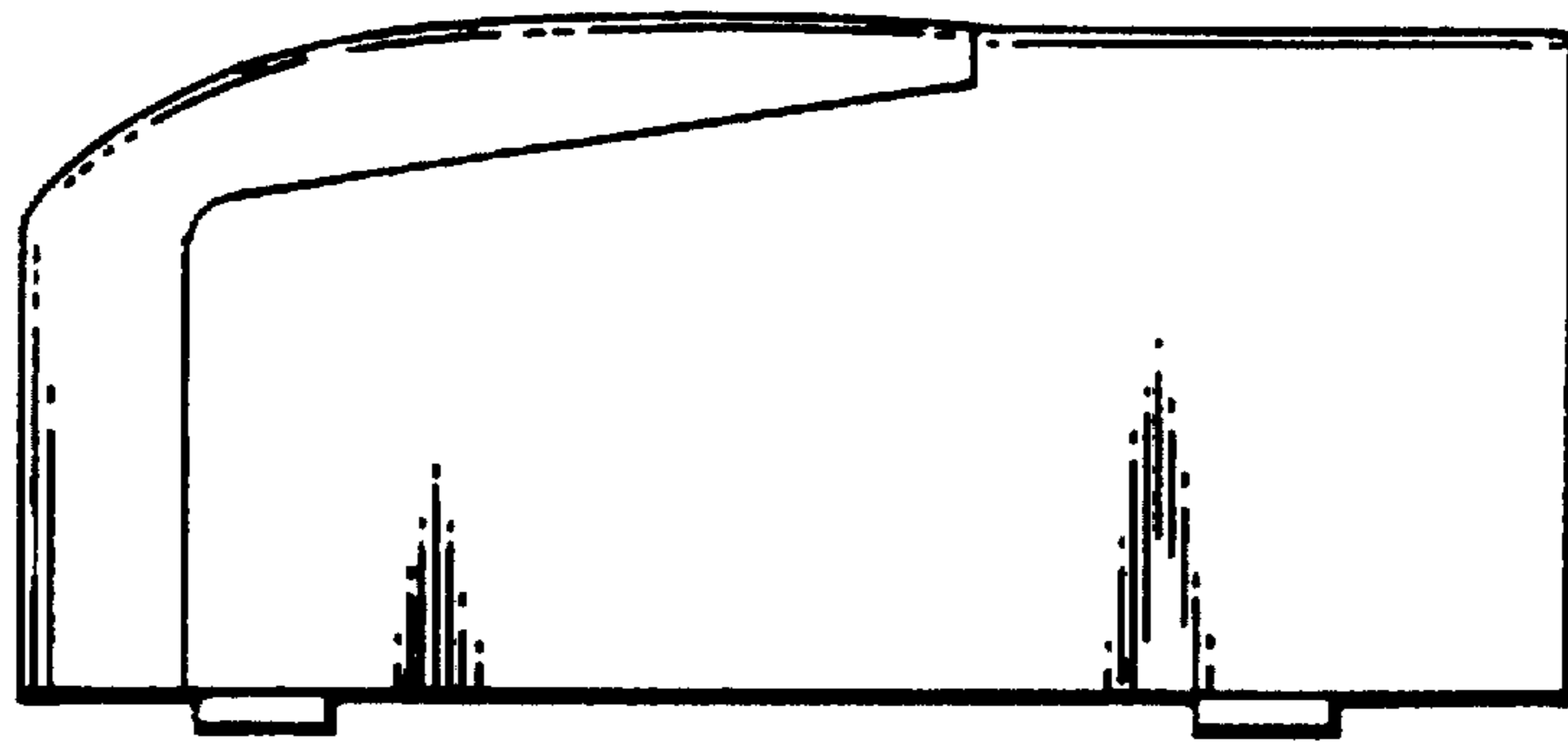


FIG. 7

