



US00D393835S

# United States Patent [19]

Ohki et al.

[11] Patent Number: **Des. 393,835**

[45] Date of Patent: **\*\*Apr. 28, 1998**

[54] **SMART CARD READER/WRITER**

D. 366,466 1/1996 Lee et al. .... D14/105

[75] Inventors: **Masayuki Ohki, Kodaira; Atsuhiko Urushihara, Kokubunji; Kotaro Yamashita, Machida, all of Japan**

*Primary Examiner*—Freda Nunn  
*Attorney, Agent, or Firm*—Antonelli, Terry, Stout, & Kraus, LLP

[73] Assignee: **Hitachi, Ltd., Tokyo, Japan**

[57] **CLAIM**

[\*\*] Term: **14 Years**

The ornamental design for a smart card reader/writer, as shown and described.

[21] Appl. No.: **70,642**

### DESCRIPTION

[22] Filed: **May 13, 1997**

[30] **Foreign Application Priority Data**

Nov. 15, 1996 [JP] Japan ..... 8-34405

[51] **LOC (6) Cl.** ..... **14-02**

[52] **U.S. Cl.** ..... **D14/105; D14/107**

[58] **Field of Search** ..... D14/100, 105, D14/107, 118; D16/208, 214, 223, 232; 250/556; 235/454, 470, 380, 382, 492, 382.5, 476, 482, 483, 441; 355/64; 395/239

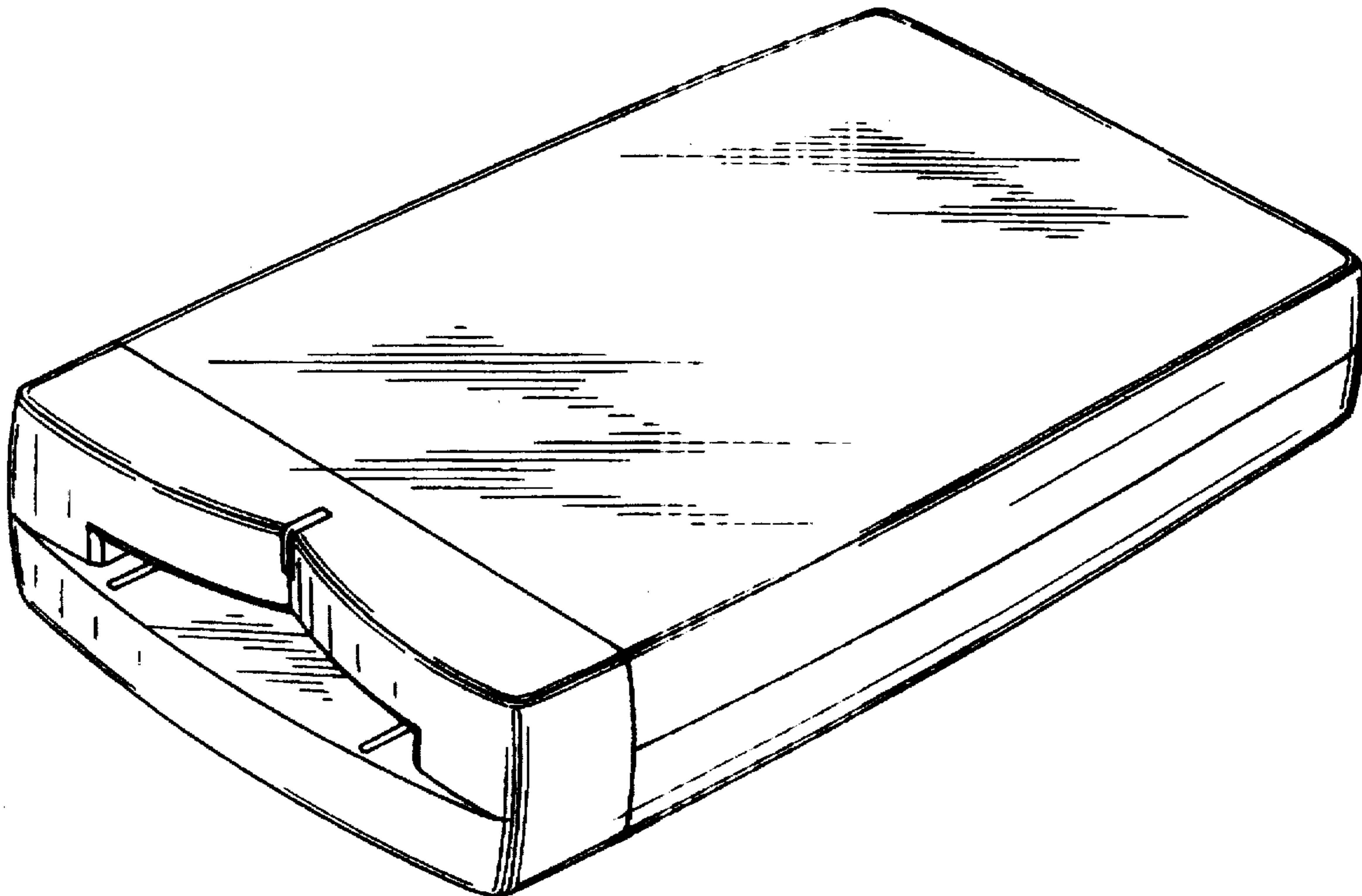
FIG. 1 is a perspective front and right side view of a smart card reader/writer showing our new design;  
FIG. 2 is a front elevational view thereof;  
FIG. 3 is a left side elevational view thereof, a right side elevational view being a mirror image thereof;  
FIG. 4 is a top plan view thereof;  
FIG. 5 is a bottom plan view thereof;  
FIG. 6 is a rear elevational view thereof; and,  
FIG. 7 is a perspective front and right side view thereof with an attached stand shown in broken lines for illustrative purposes only and forms no part of the claimed design.

[56] **References Cited**

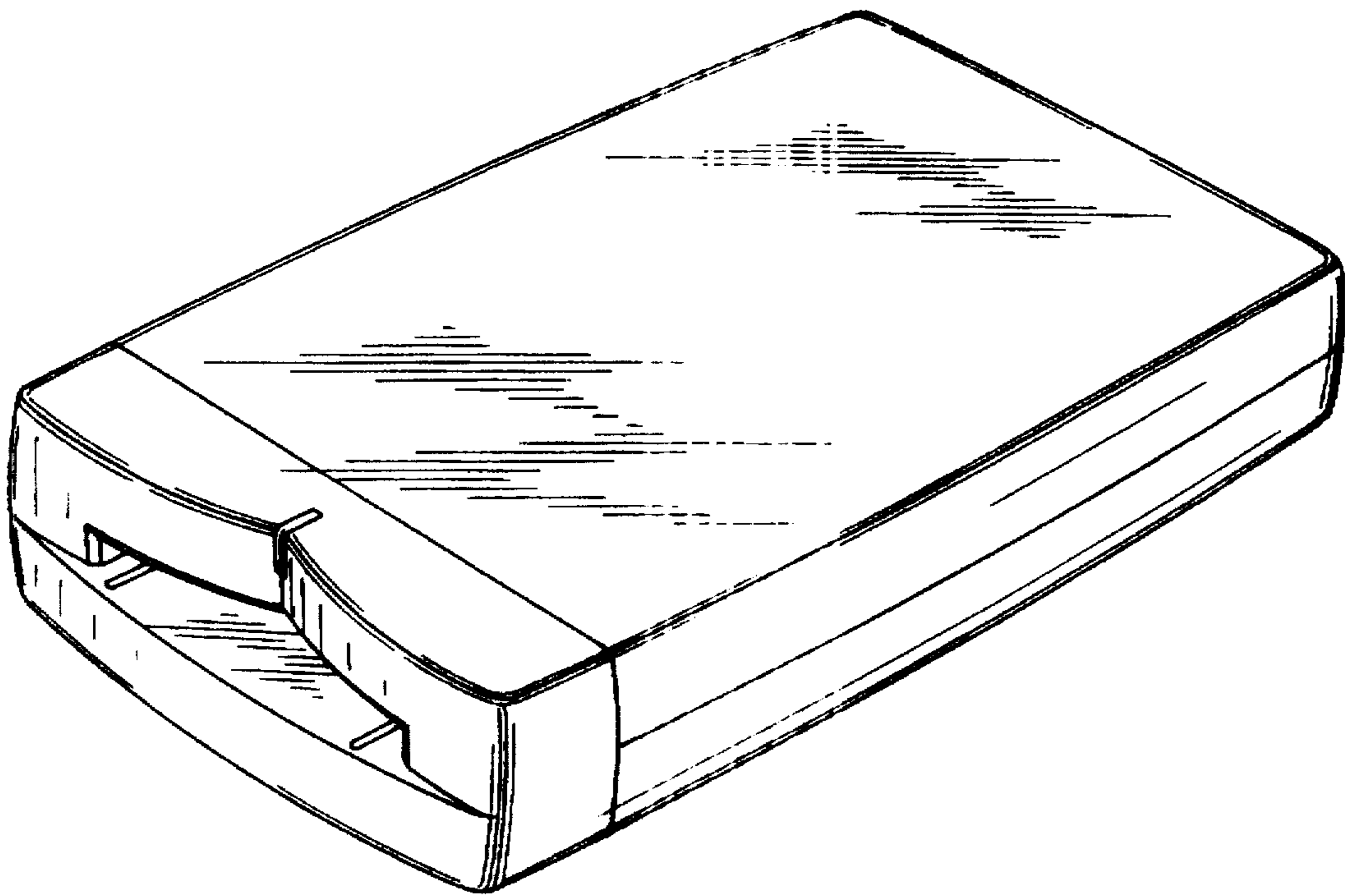
#### U.S. PATENT DOCUMENTS

D. 350,120 8/1994 Tsuboi et al. .... D14/105

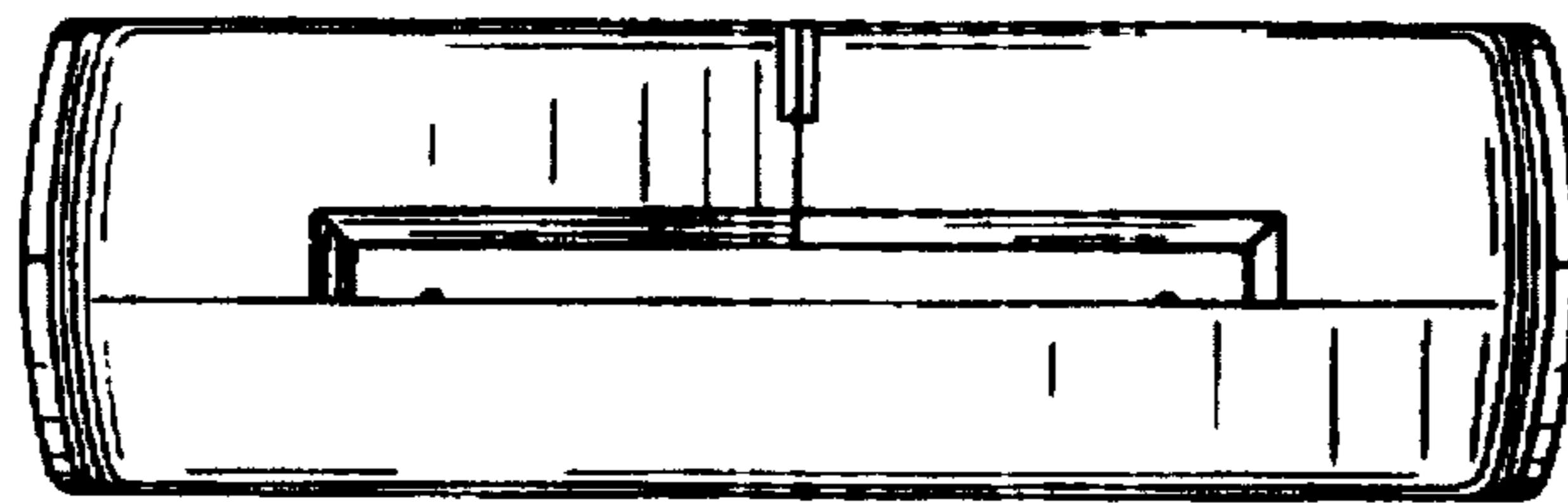
**1 Claim, 3 Drawing Sheets**



*FIG. 1*



*FIG. 2*



*FIG. 3*

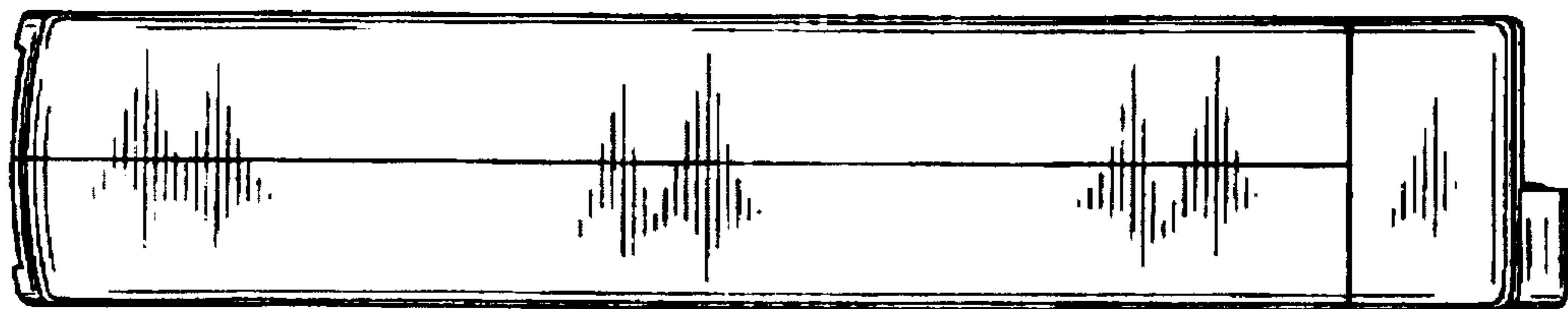


FIG. 4

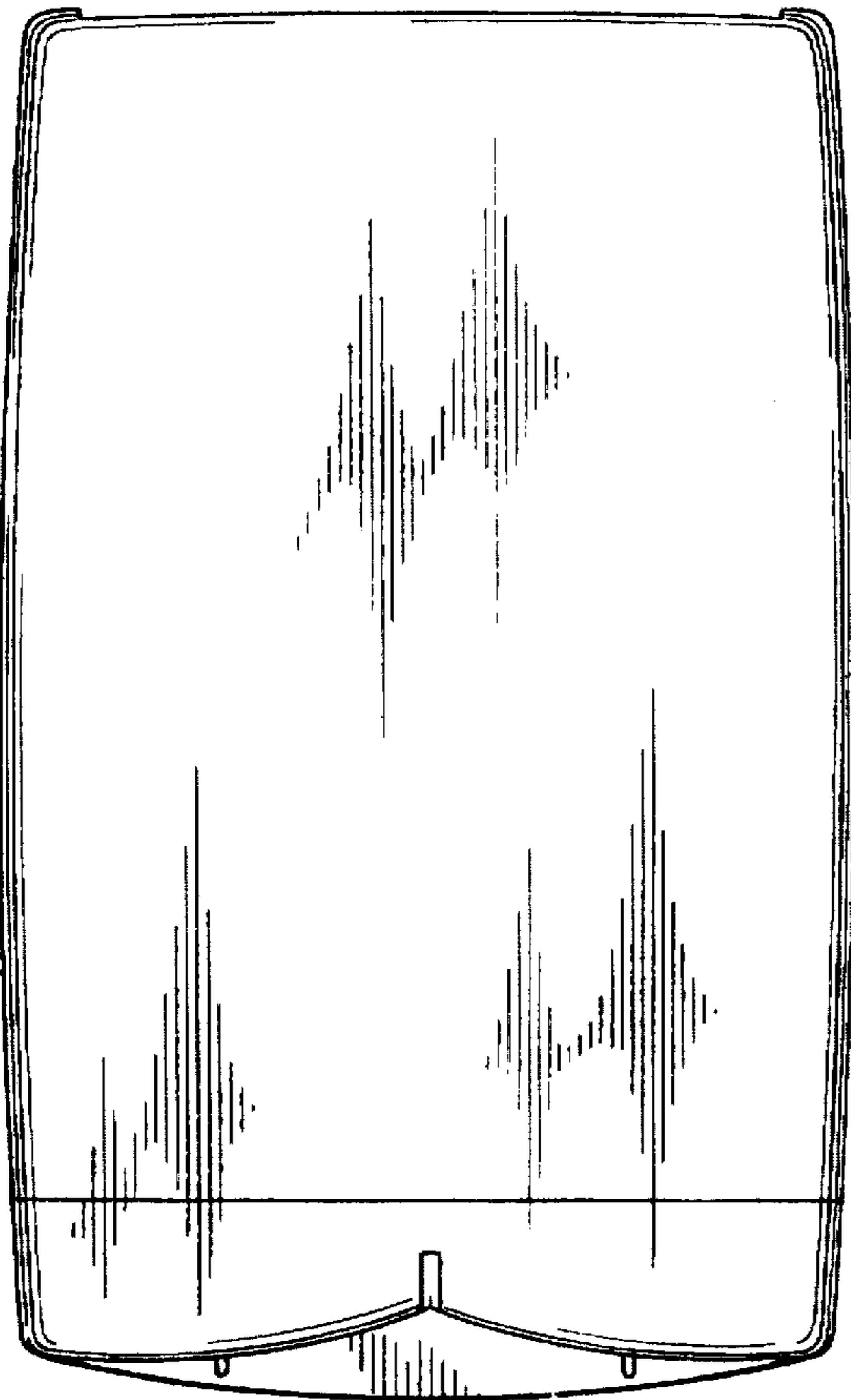


FIG. 5

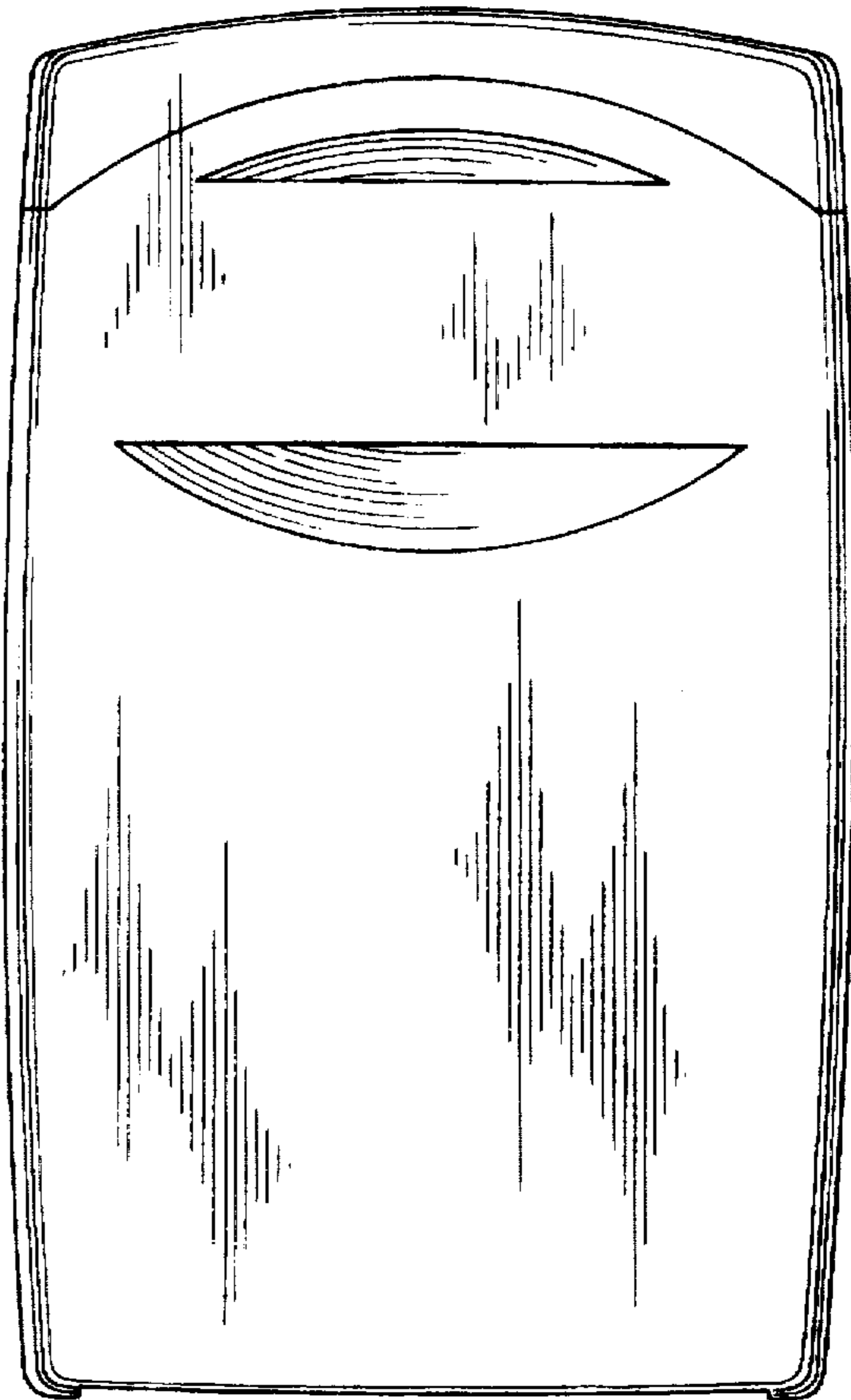


FIG. 6

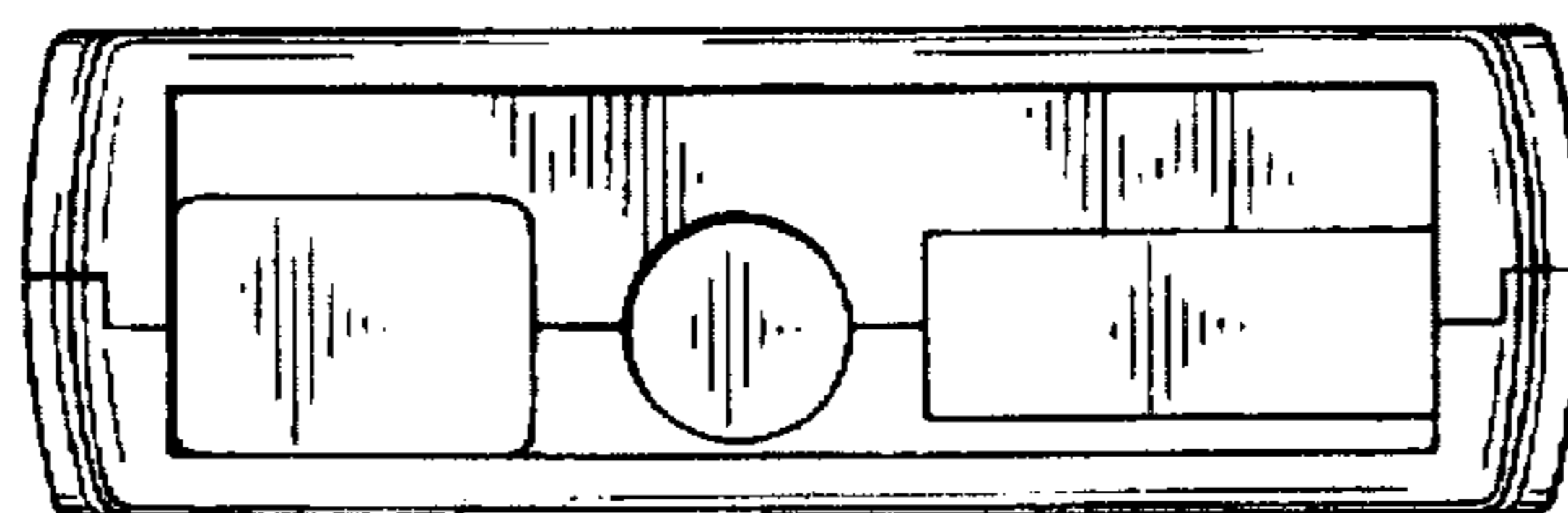


FIG. 7

