

US00D393834S

United States Patent [19]

Margalit et al.

[11] Patent Number: **Des. 393,834**

[45] Date of Patent: ****Apr. 28, 1998**

[54] **DATA TERMINAL**

[75] Inventors: **Eli Margalit, Raanana; Yona Newman, Ra-amana, both of Israel**

[73] Assignee: **Motorola, Inc., Schaumburg, Ill.**

[**] Term: **14 Years**

[21] Appl. No.: **64,150**

[22] Filed: **Jan. 16, 1997**

[30] **Foreign Application Priority Data**

Jul. 19, 1996 [GB] United Kingdom 2057777

[51] **LOC (6) Cl.** **14-02**

[52] **U.S. Cl.** **D14/100; D14/240**

[58] **Field of Search** D14/100, 105, D14/106, 115, 240; D18/1, 7, 12; 235/145 A, 145 R; 341/22, 23; 345/156, 168, 169, 172, 87, 173; 364/708.1

[56] **References Cited**

U.S. PATENT DOCUMENTS

D. 323,489 1/1992 Harris, Jr. et al. D14/100

D. 348,674 7/1994 Lindeman et al. D14/240
D. 356,299 3/1995 Hamilton et al. D14/100
D. 361,754 8/1995 Jambhekar et al. D14/100
D. 377,341 1/1997 Imai et al. D14/100

Primary Examiner—Freda Nunn
Attorney, Agent, or Firm—Dale W. Dorinski

[57] **CLAIM**

The ornamental design for a data terminal, as shown and described.

DESCRIPTION

FIG. 1 is an isometric view showing the top, left, and front sides of a data terminal showing our new design;

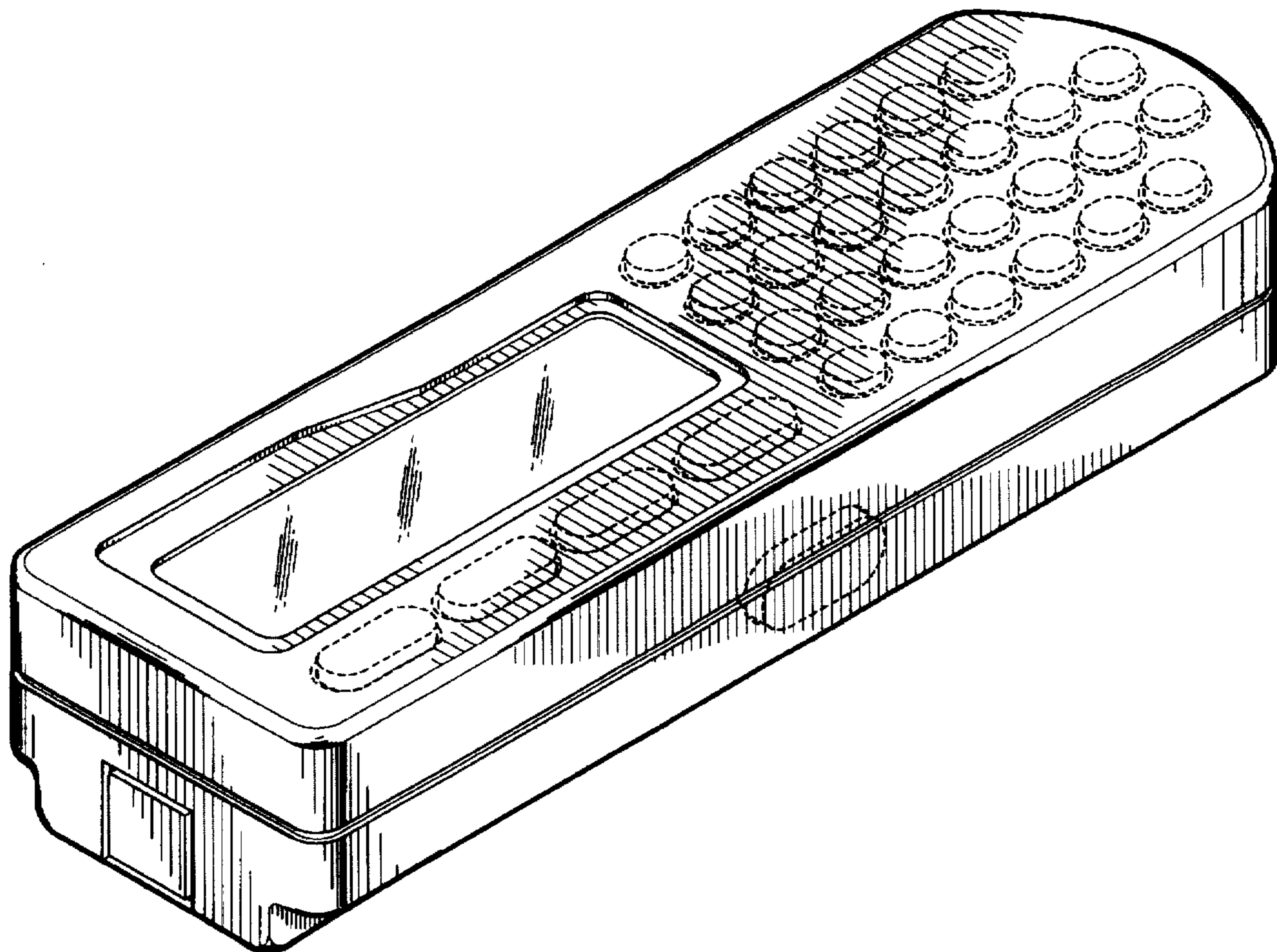
FIG. 2 is a rear view thereof;

FIG. 3 is a bottom plan view thereof; and,

FIG. 4 is a right side view thereof.

The structures represented by broken lines are intended to show environmental features, and are not part of our claimed design.

1 Claim, 2 Drawing Sheets



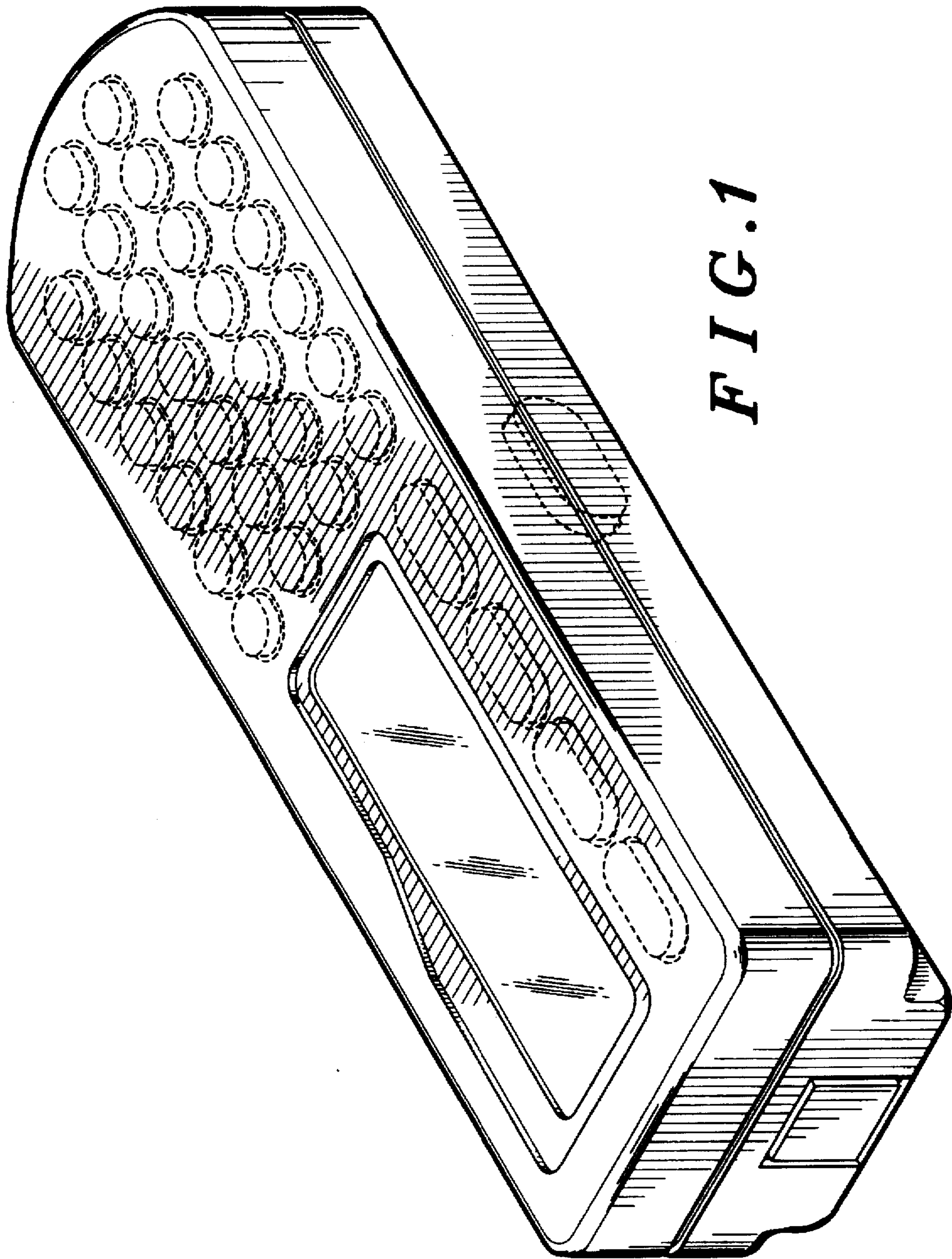


FIG. 1

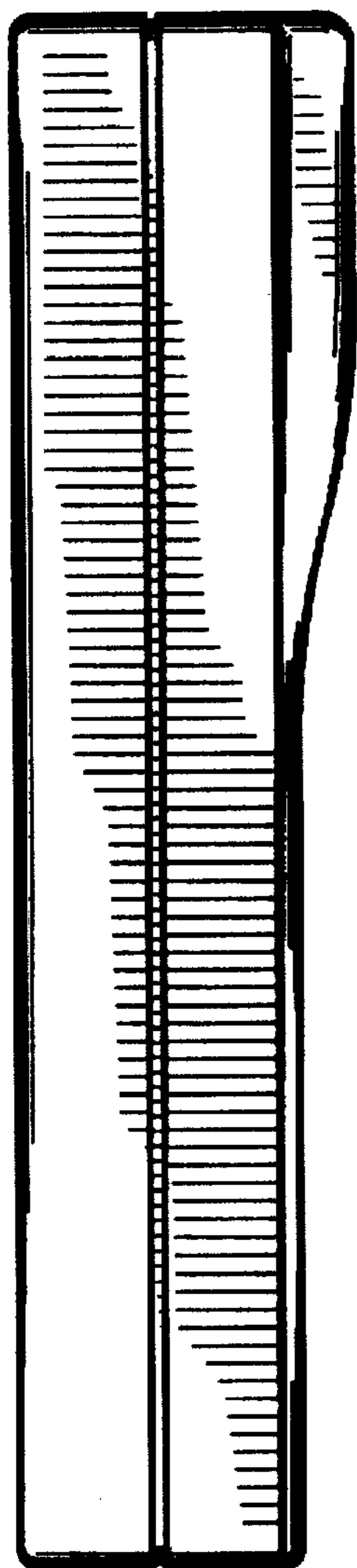


FIG. 2

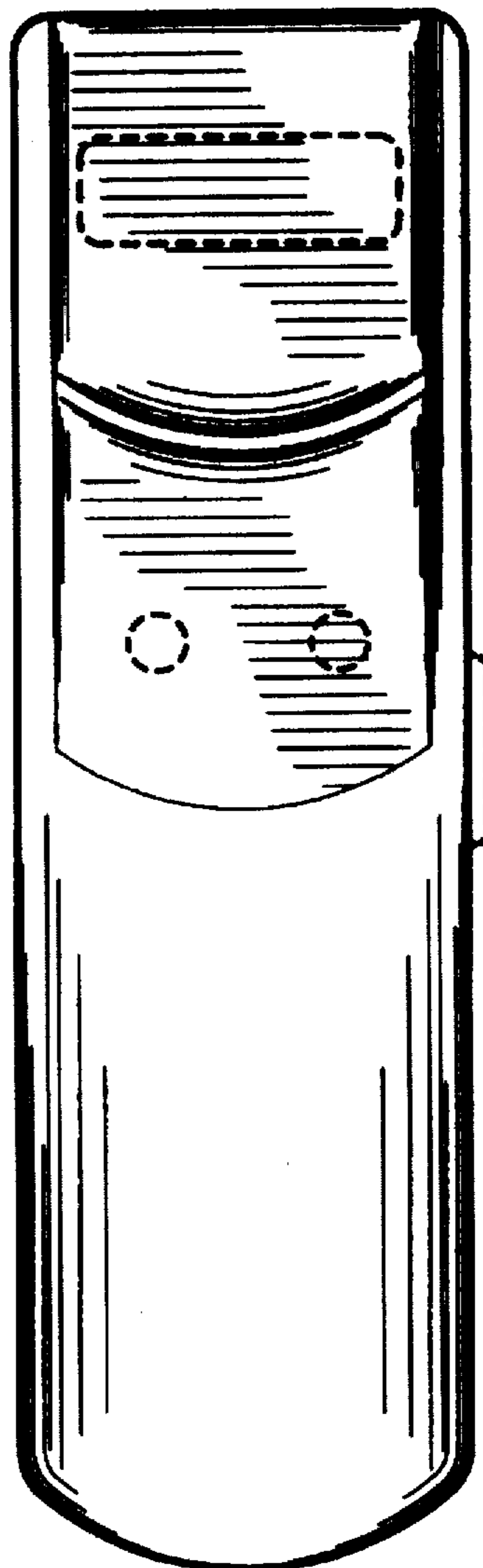


FIG. 3

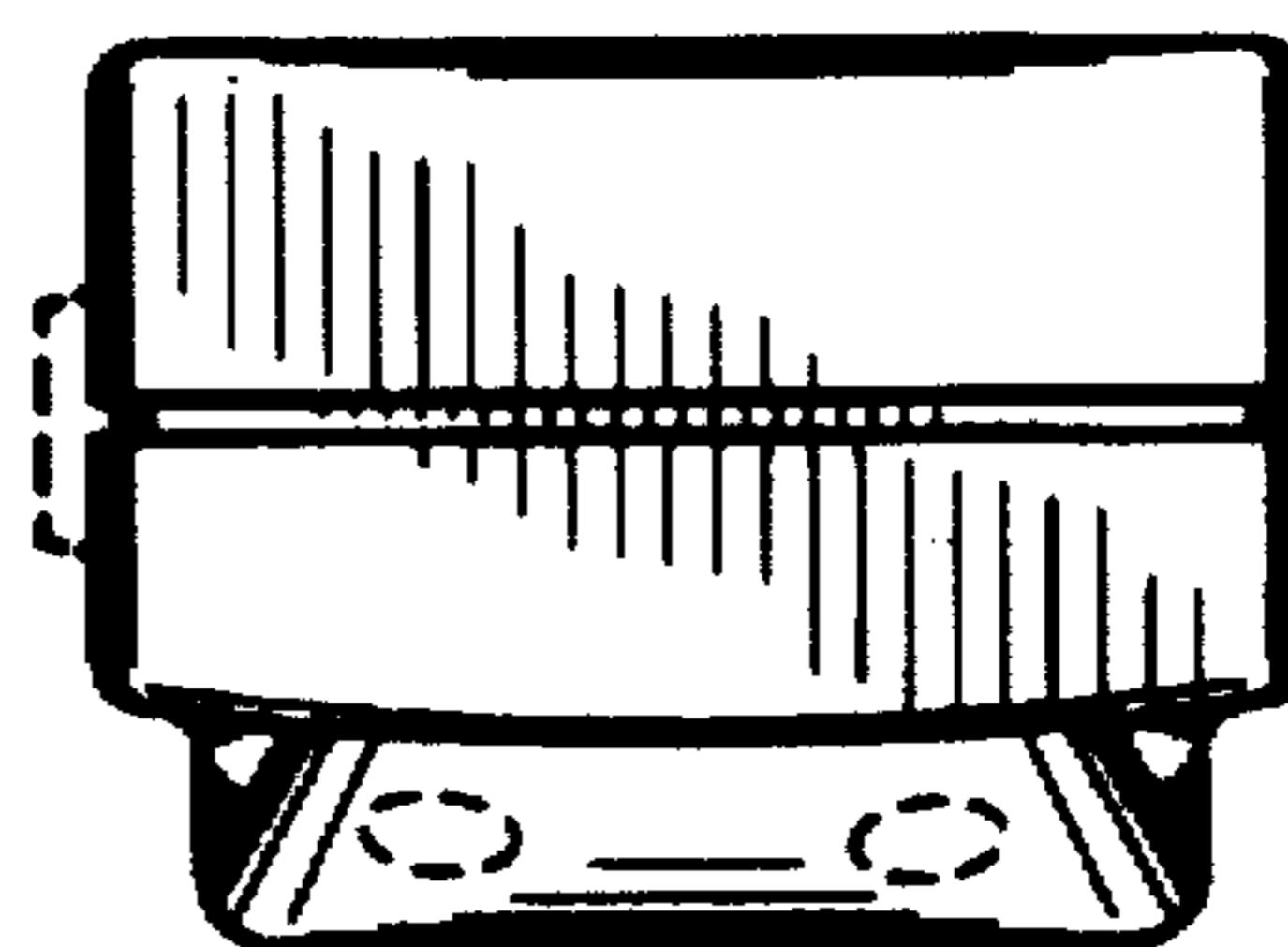


FIG. 4