



US00D393828S

United States Patent [19]

Threats, Sr.

[11] Patent Number: **Des. 393,828**

[45] Date of Patent: ****Apr. 28, 1998**

[54] **VEHICLE COVER**

[76] Inventor: **John R. Threats, Sr.**, 4682 Anaheim Ct., Denver, Colo. 80239

[**] Term: **14 Years**

[21] Appl. No.: **64,419**

[22] Filed: **Dec. 31, 1996**

[51] LOC (6) Cl. **12-16**

[52] U.S. Cl. **D12/401**

[58] Field of Search D12/400, 401, D12/403, 221; 150/154, 166; 296/136, 95.1

[56] **References Cited**

U.S. PATENT DOCUMENTS

D. 213,549	3/1969	Abbott	D12/401
D. 298,615	11/1988	Choinuma	D12/401
D. 317,283	6/1991	Gray	D12/401
D. 343,813	2/1994	Brown et al.	D12/403
D. 345,122	3/1994	Lloyd	D12/403
D. 348,242	6/1994	Tsao	D12/401
D. 360,181	7/1995	Brooks	D12/401
D. 364,846	12/1995	Kelsey et al.	D12/401
3,316,012	4/1967	Thier	296/136
5,029,933	7/1991	Gillem	296/136

5,102,183	4/1992	Swartz	296/136
5,242,206	9/1993	Heck	296/136
5,255,765	10/1993	Schrecongost	150/154 X
5,292,167	3/1994	Hellman	296/95.1
5,351,733	10/1994	Ullman	150/154
5,401,074	3/1995	Timerman	296/136

Primary Examiner—James Gandy
Assistant Examiner—Stacia Sinuik

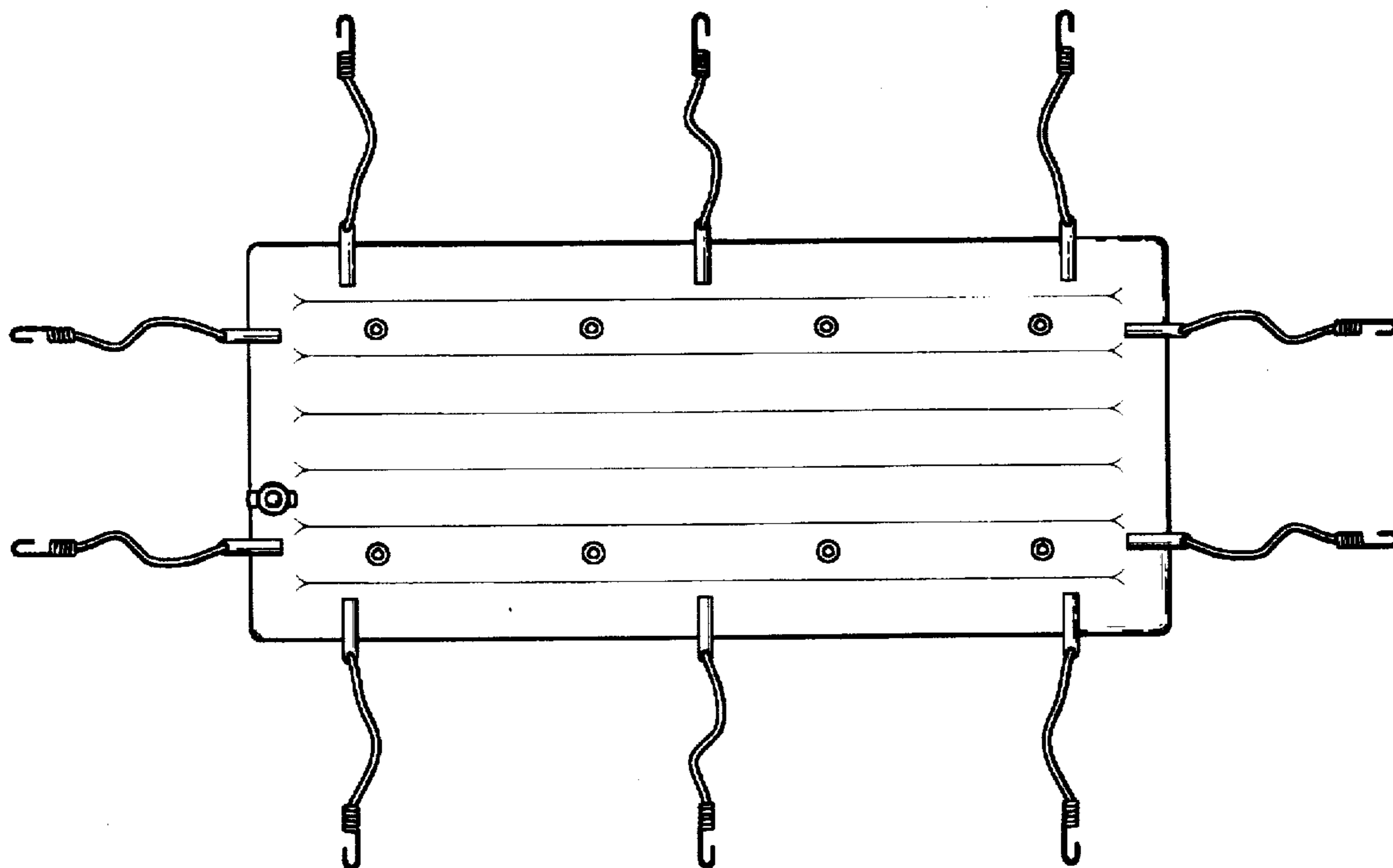
[57] **CLAIM**

The ornamental design for a vehicle cover, as shown and described.

DESCRIPTION

FIG. 1 is a top plan view of the vehicle cover of the present invention;
 FIG. 2 is a bottom plan view of the vehicle cover of FIG. 1;
 FIG. 3 is a left side plan view of the vehicle cover of FIG. 1;
 FIG. 4 is a right side plan view of the vehicle cover of FIG. 1;
 FIG. 5 is a front plan view of the vehicle of FIG. 1;
 FIG. 6 is a back plan view of the vehicle cover of FIG. 1;
 and,
 FIG. 7 is a right side view of the vehicle cover of FIG. 1 installed.
 The broken line showing of environment is for illustrative purposes only and forms no part of the claimed design.

1 Claim, 4 Drawing Sheets



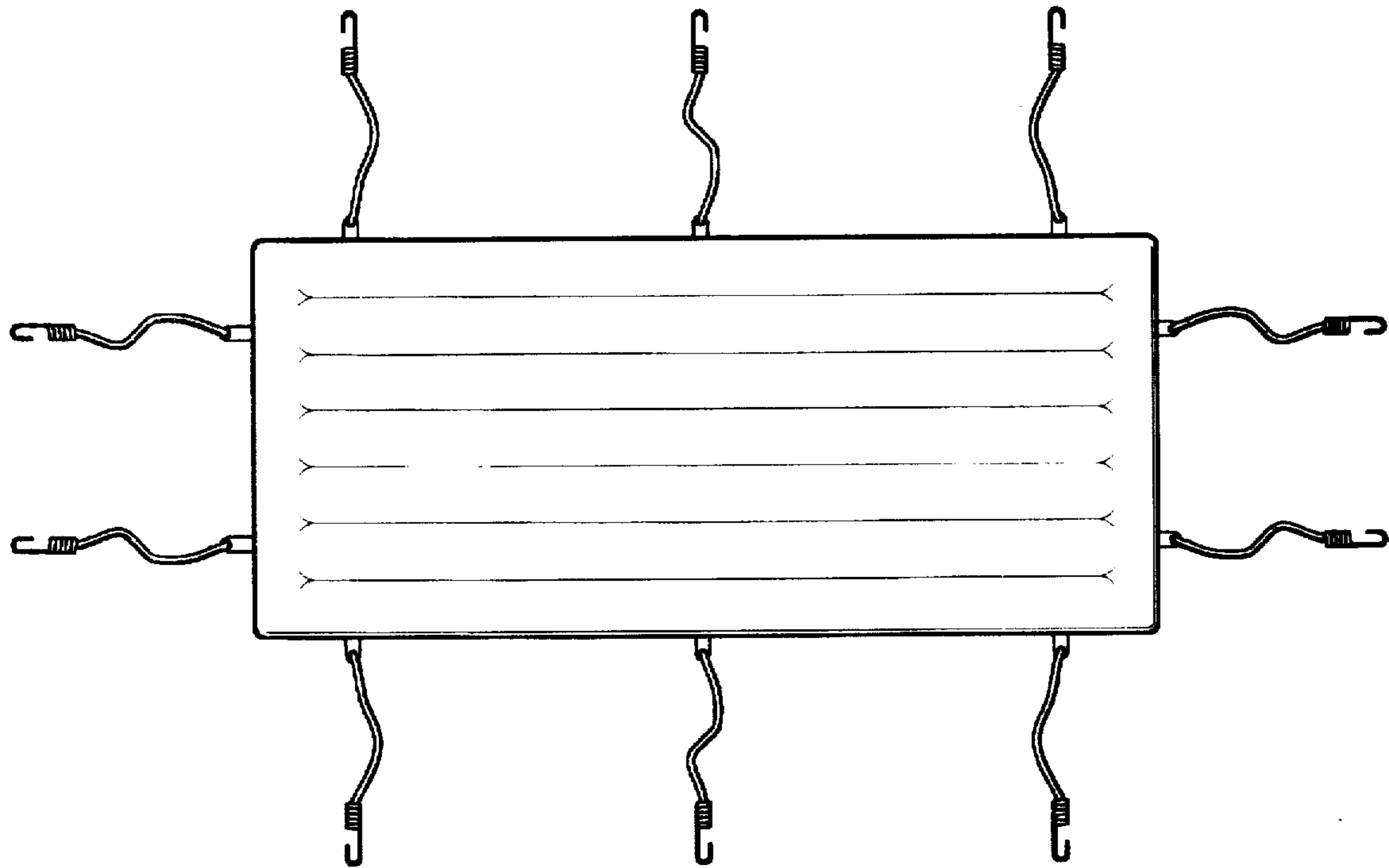


Fig. 2

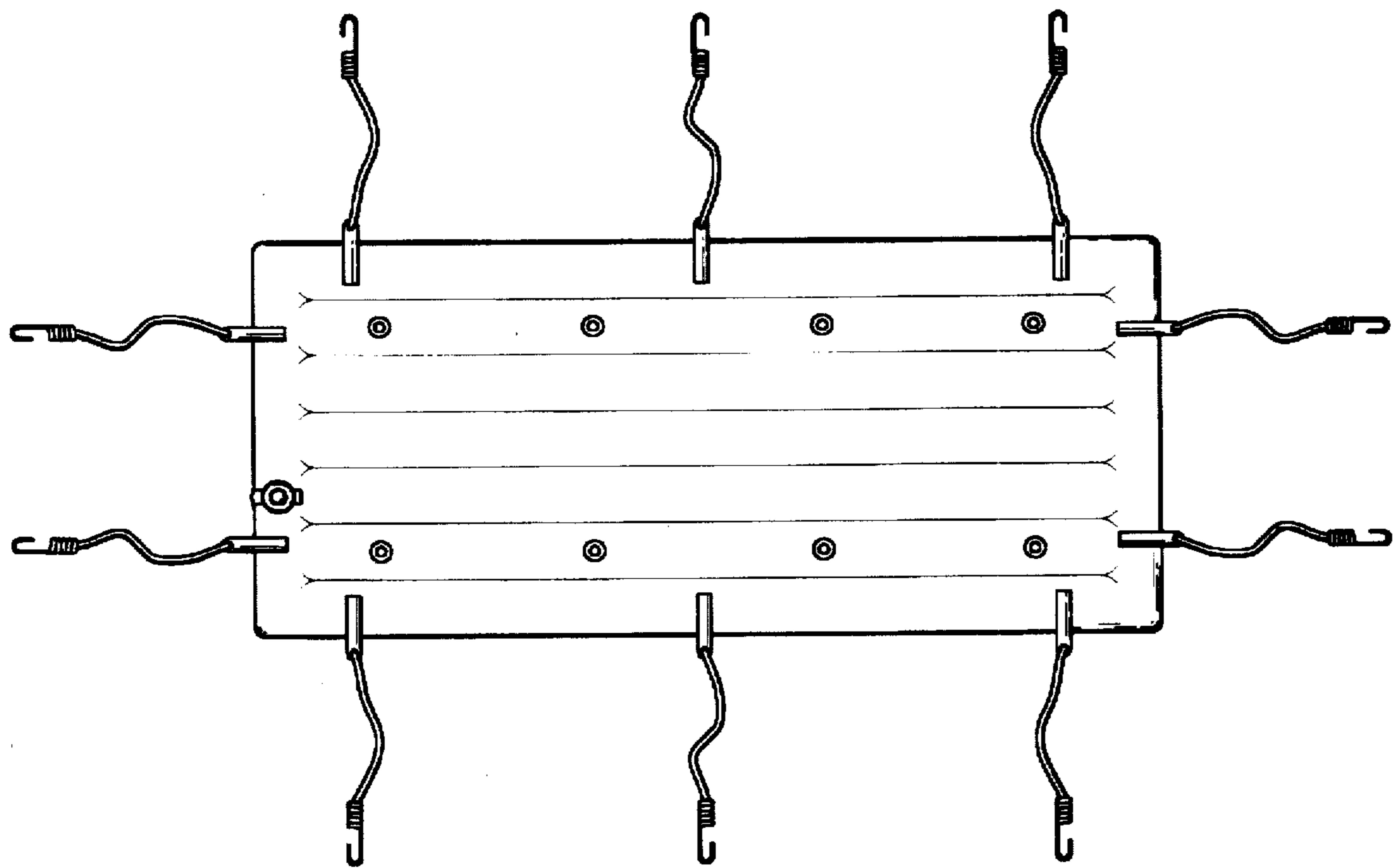


Fig. 1

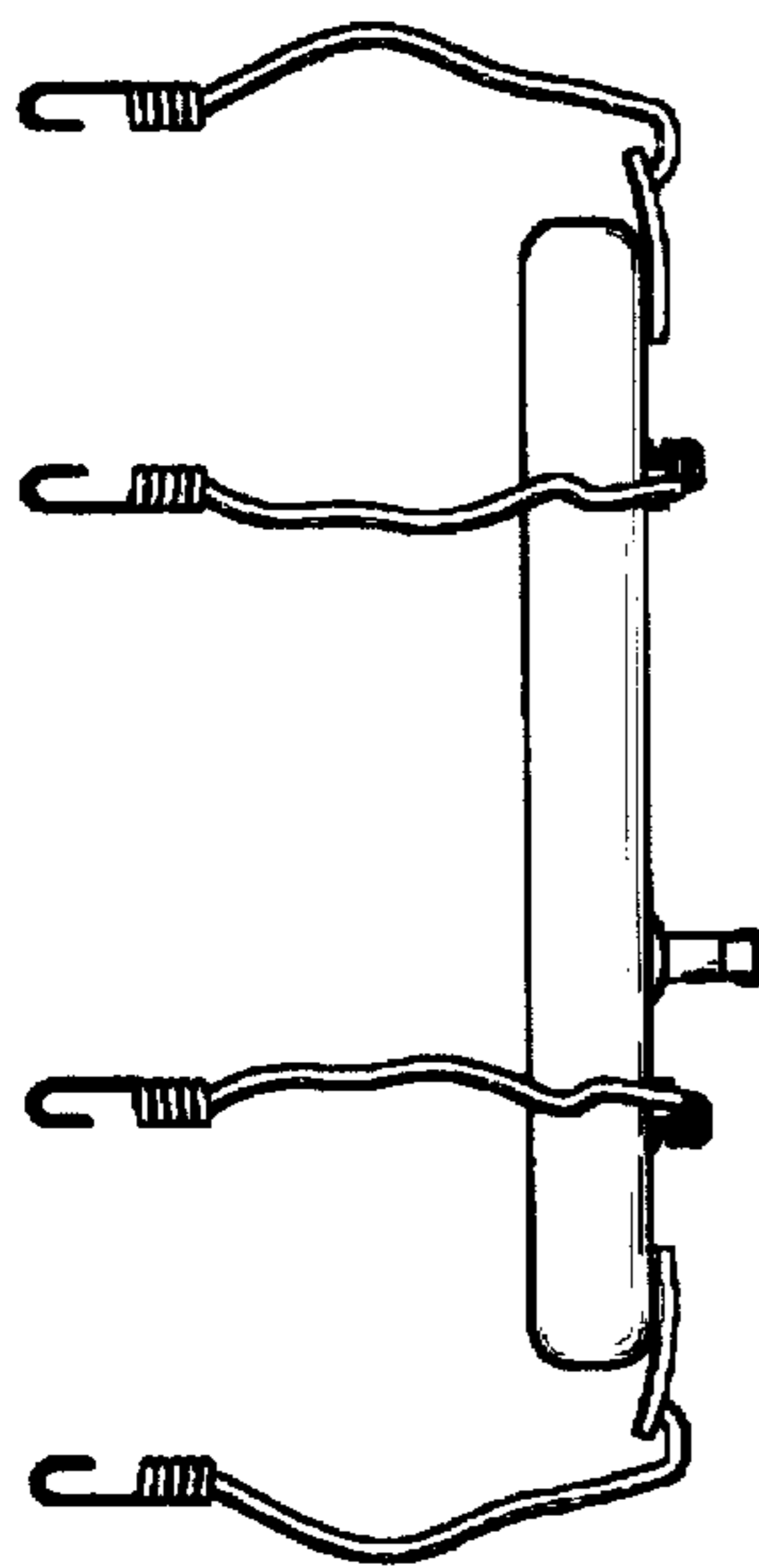


Fig. 3

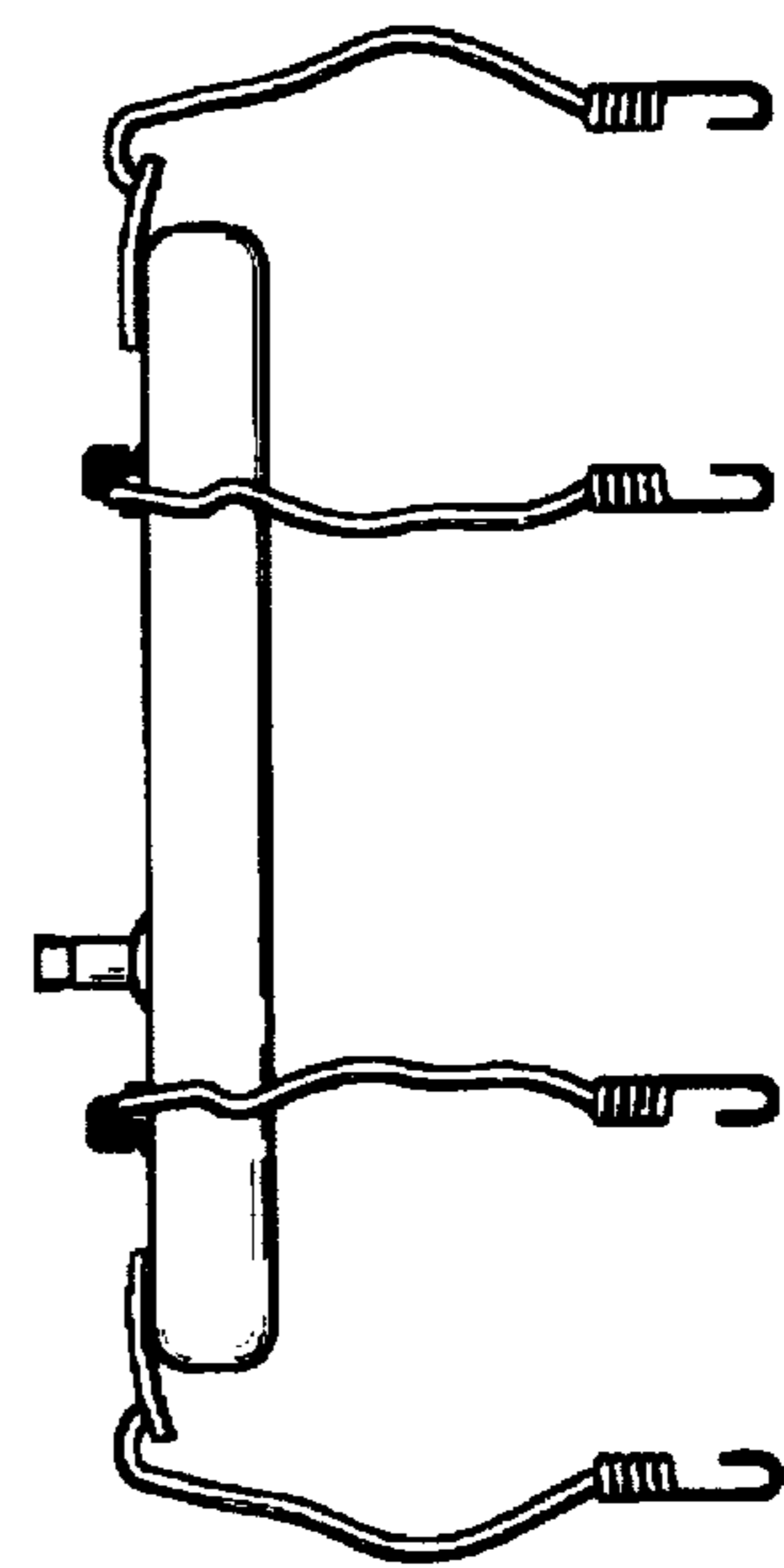


Fig. 4

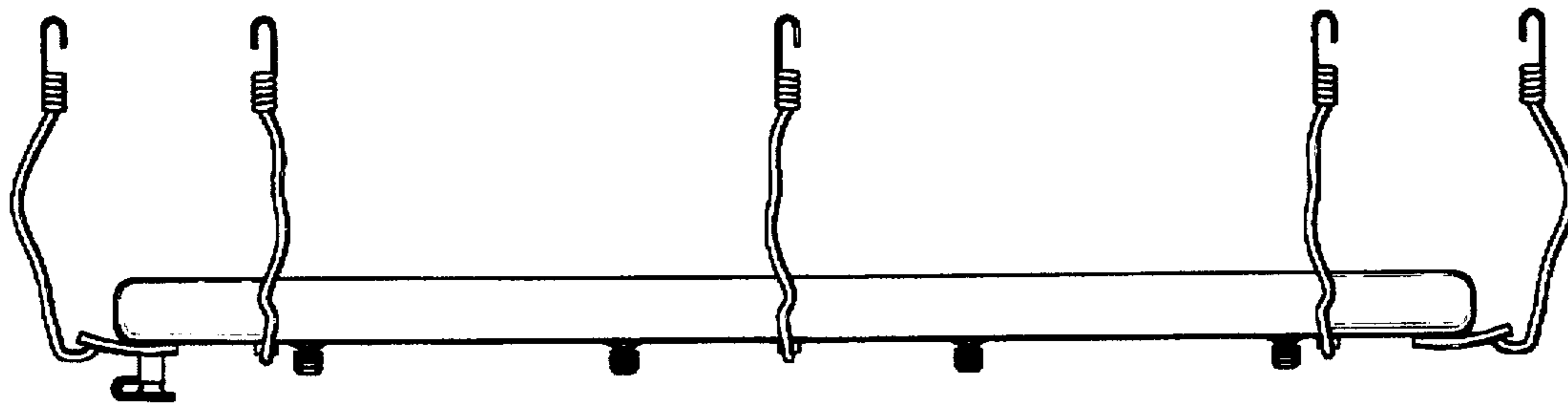


Fig. 5

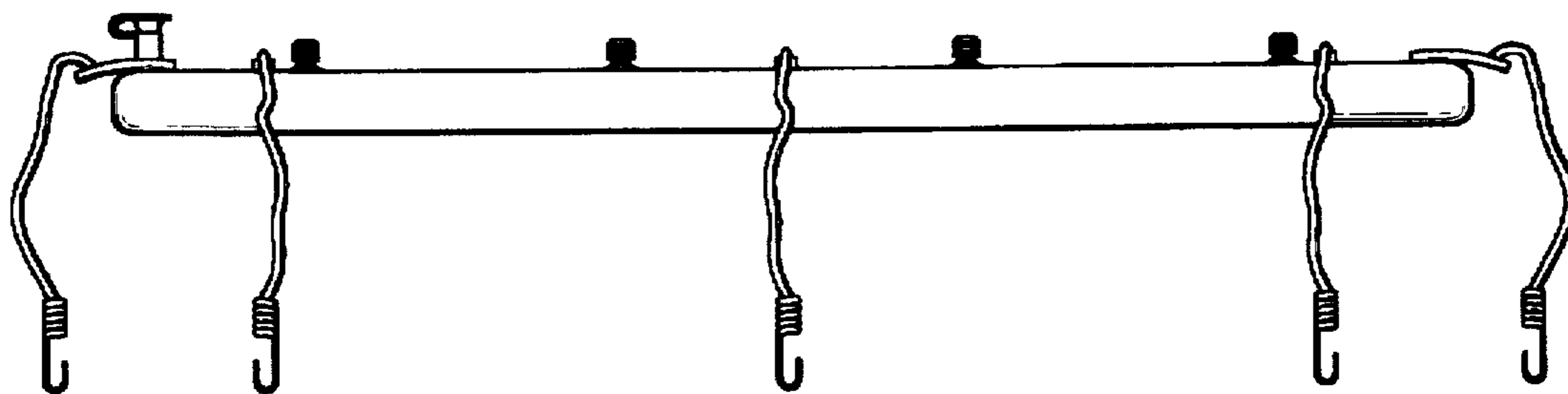


Fig. 6

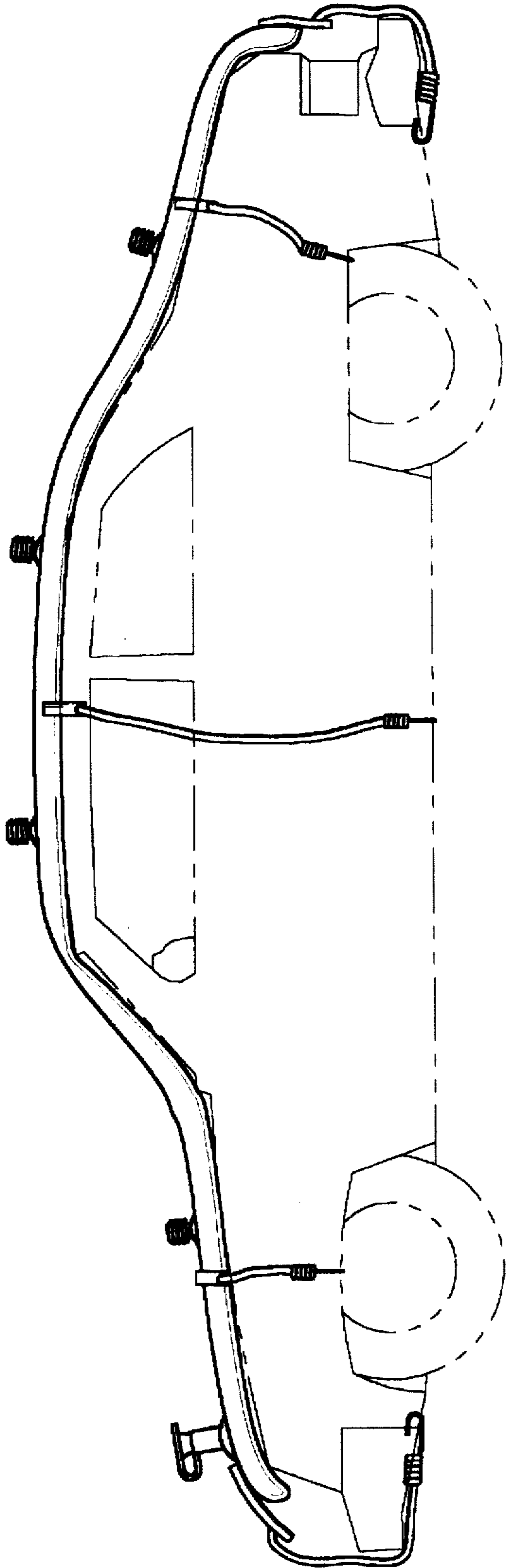


Fig. 7