



US00D393826S

United States Patent [19]
Carter

[11] **Patent Number: Des. 393,826**
[45] **Date of Patent: **Apr. 28, 1998**

[54] **AUTOMOBILE HOOD AND TRUNK PROP**

DESCRIPTION

[76] **Inventor: Jeffrey Wayne Carter, 540 Lake Lynn Rd., Concord, N.C. 28025**
[**] **Term: 14 Years**
[21] **Appl. No.: 64,860**
[22] **Filed: Jan. 13, 1997**
[51] **LOC (6) Cl. 12-06**
[52] **U.S. Cl. D12/223**
[58] **Field of Search D12/173, 223; D8/354, 349, 402; 248/300; 292/288, 338-339**

FIG. 1 is a side elevational view of a automobile hood and trunk prop showing my new design;
FIG. 2 is a side elevational view of the prop of FIG. 1 illustrating the side opposite the side illustrated in FIG. 1;
FIG. 3 is an edge elevational view of the prop of FIGS. 1 and 2;
FIG. 4 is an edge elevational view of the prop of FIGS. 1 and 2 illustrating the edge opposite the edge illustrated in FIG. 3;
FIG. 5 is a bottom view of the prop of FIGS. 1 and 2;
FIG. 6 is a top plan view of the prop of FIGS. 1 and 2;
FIG. 7 is a side elevational view of a modified embodiment of the prop of FIGS. 1 and 2, which is identical to the prop of FIGS. 1 and 2 except for the proportioning of the dimensions and the number of recesses illustrated; and,
FIG. 8 is a side elevational view of a further modification of the prop of FIGS. 1 and 2, which is identical to the prop of FIGS. 1 and 2 except for the proportioning of the dimensions and the number of recesses illustrated.
The edge, top and bottom views of the second and third embodiments are identical in appearance to the same views of the first embodiment except for the varying proportions.

[56] **References Cited**

U.S. PATENT DOCUMENTS

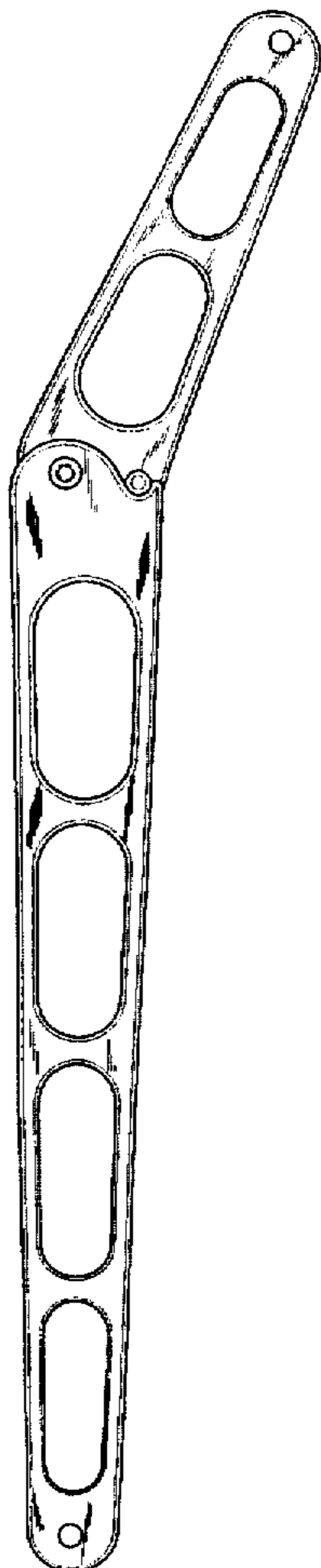
D. 276,696 12/1984 Spinka D8/354 X
D. 282,144 1/1986 Speelman D8/349
D. 365,019 12/1995 Rich D8/402

Primary Examiner—Holly Baynham
Attorney, Agent, or Firm—Kennedy Covington Lobdell & Hickman, LLP

[57] **CLAIM**

The ornamental design for automobile hood and trunk prop, as shown and described.

1 Claim, 4 Drawing Sheets



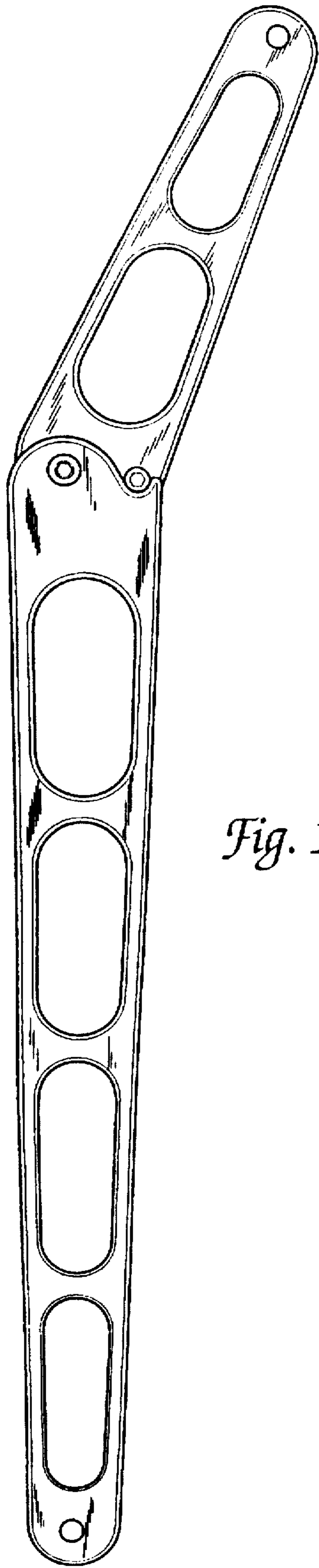


Fig. 1

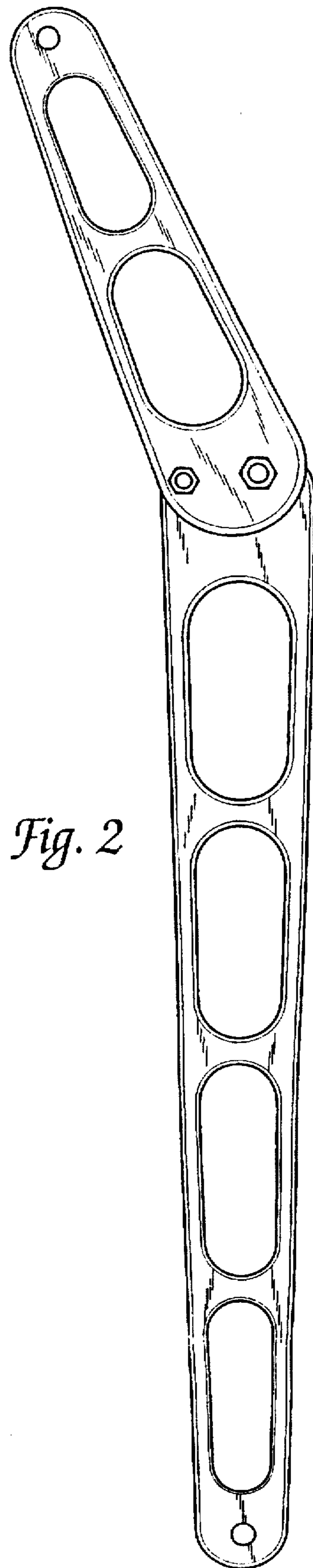


Fig. 2



Fig. 3



Fig. 4

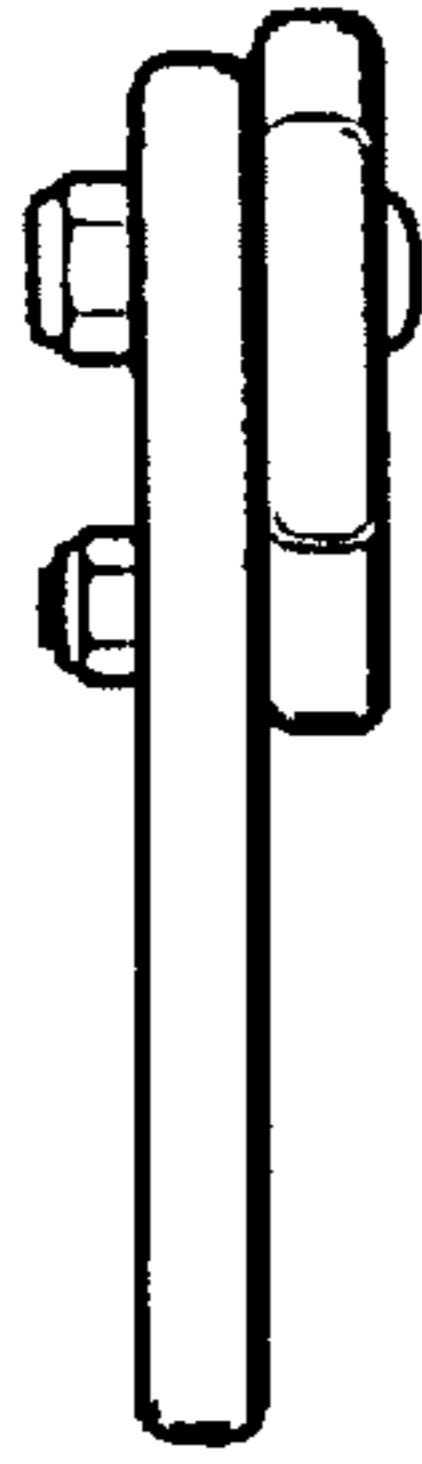


Fig. 5



Fig. 6

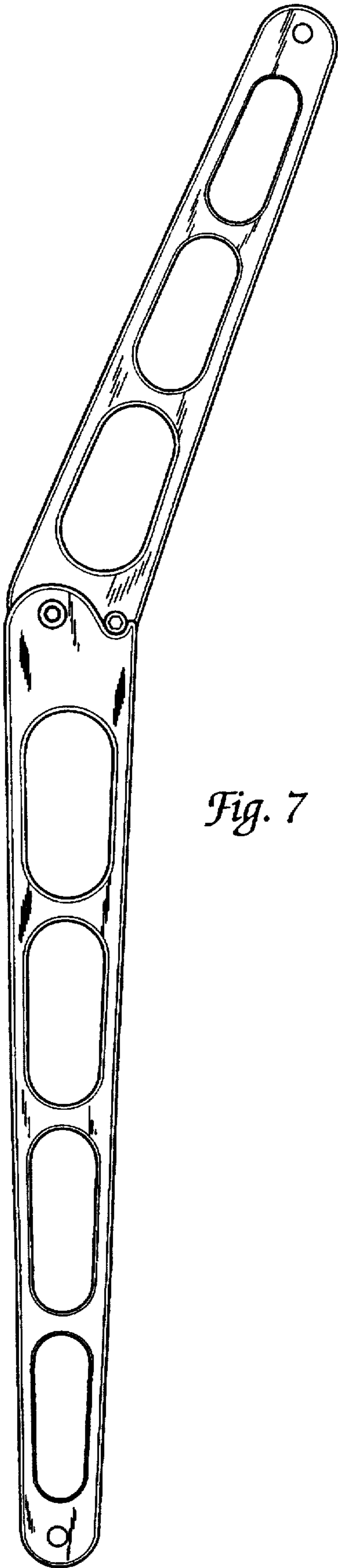


Fig. 7

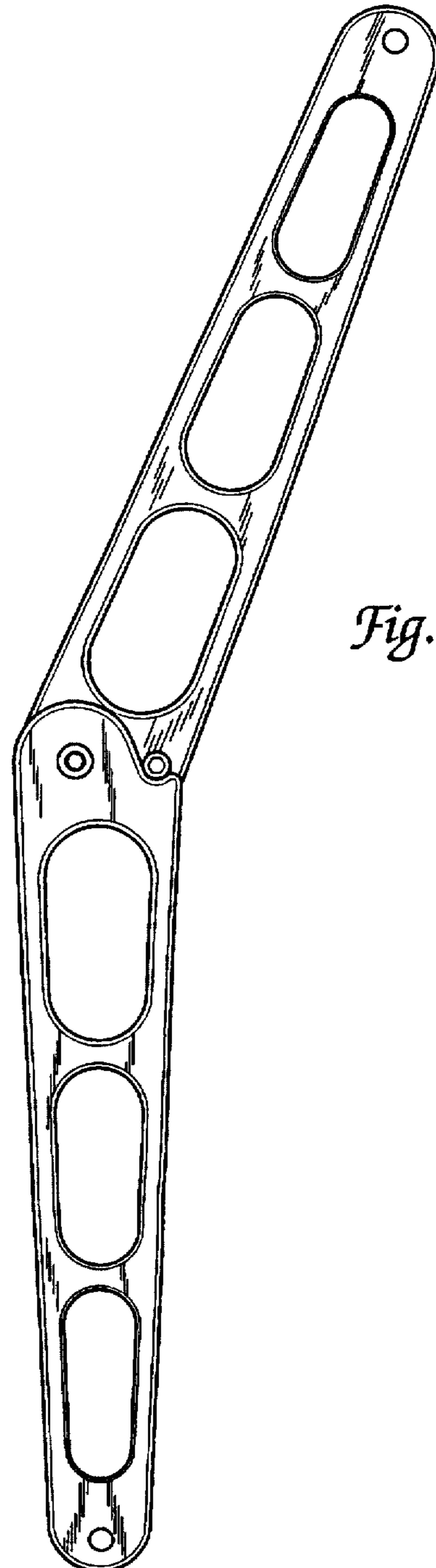


Fig. 8