



US00D393824S

United States Patent [19]
Satrustegui

[11] **Patent Number: Des. 393,824**

[45] **Date of Patent: **Apr. 28, 1998**

[54] **VEHICLE SUN VISOR WITH ALTERNATE MOUNTING BRACKETS**

[76] **Inventor: Martin Satrustegui, 6356 Ventura Canyon Ave., Apt. #1, Van Nuys, Calif. 91401**

[**] **Term: 14 Years**

[21] **Appl. No.: 51,831**

[22] **Filed: Mar. 19, 1996**

[51] **LOC (6) Cl. 12-16**

[52] **U.S. Cl. D12/191**

[58] **Field of Search D12/417, 191, D12/182, 183; D8/363; D6/546, 549; 160/370.4, 371, 105, 354, DIG. 3; 296/95.1, 97.1, 97.6, 97.8, 97.11, 97.12**

[56] **References Cited**

U.S. PATENT DOCUMENTS

D. 103,043 2/1937 Carlson D8/323 X
D. 216,458 1/1970 Nestrock D8/363

D. 243,840 3/1977 Gafnea D12/191
1,499,154 6/1924 Childs 296/95.1
2,153,095 4/1939 McKinley 296/97.11
4,369,996 1/1983 Fluck 160/DIG. 3 X

Primary Examiner—Ruth McInroy
Assistant Examiner—Frank Martinez

[57] **CLAIM**

The ornamental design for a vehicle sun visor with alternate mounting brackets, as shown and described.

DESCRIPTION

FIG. 1 is a front elevational view of the vehicle sun visor with alternate mounting brackets showing my new design; FIG. 2 is a rear elevational view thereof; FIG. 3 is a right view thereof; FIG. 4 is a left view thereof; FIG. 5 is a top plan view thereof; FIG. 6 is a bottom plan view thereof; FIG. 7 is an isometric view thereof; and, FIG. 8 is an isometric view of an alternate embodiment of my new design.

1 Claim, 4 Drawing Sheets

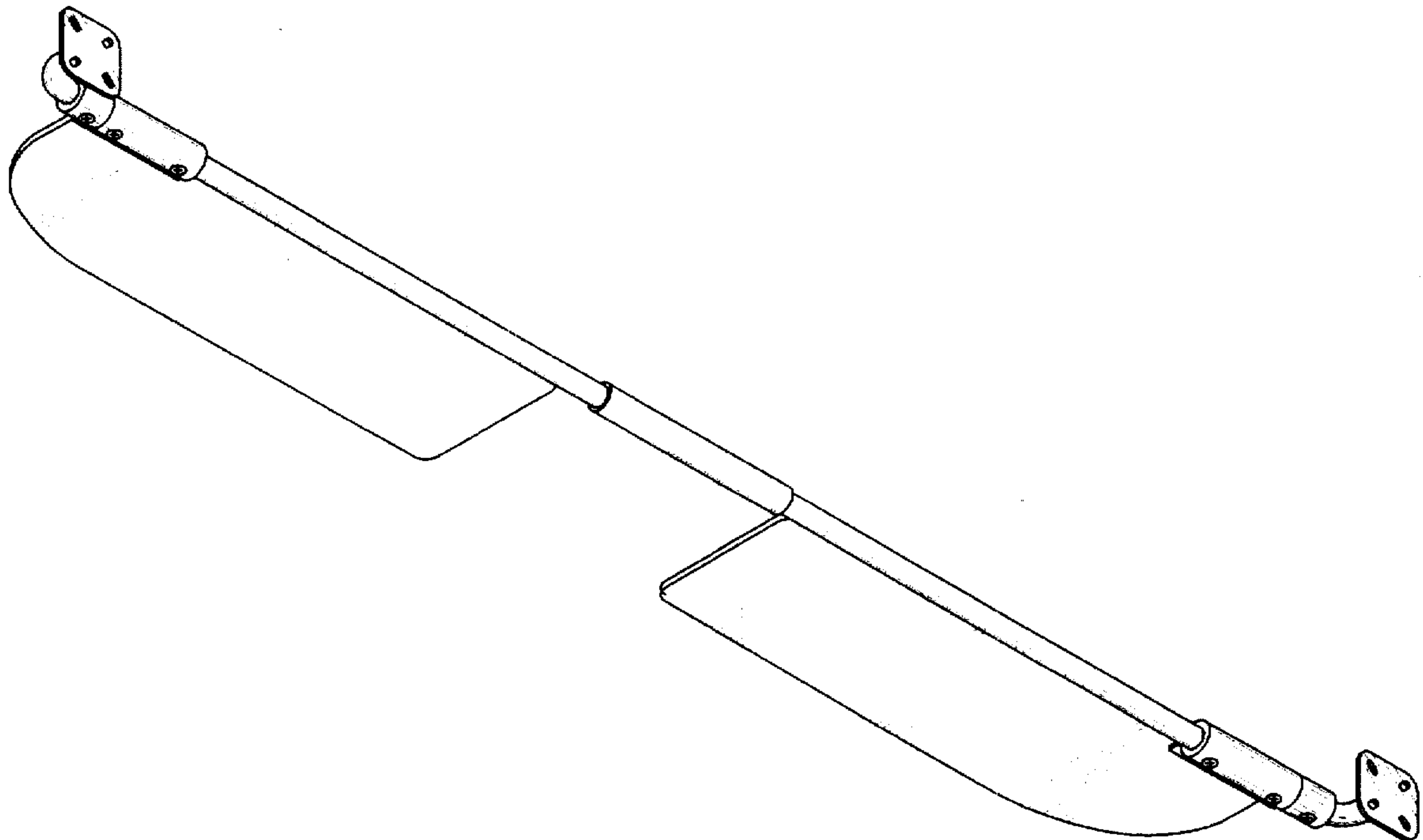


FIG. 1

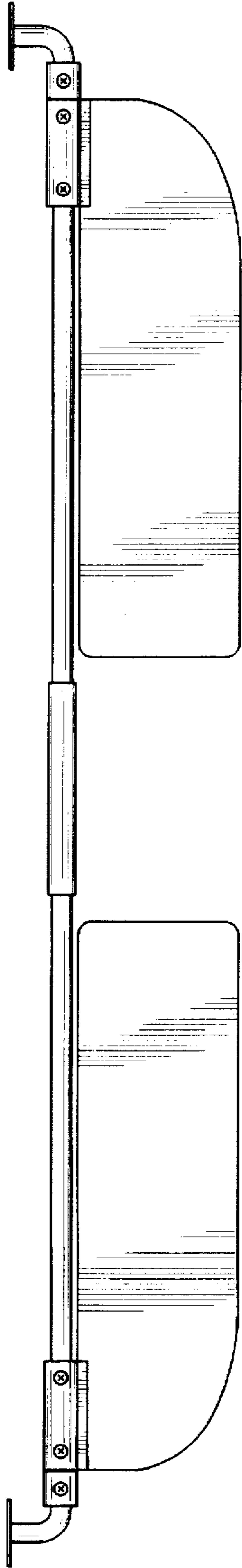


FIG. 2

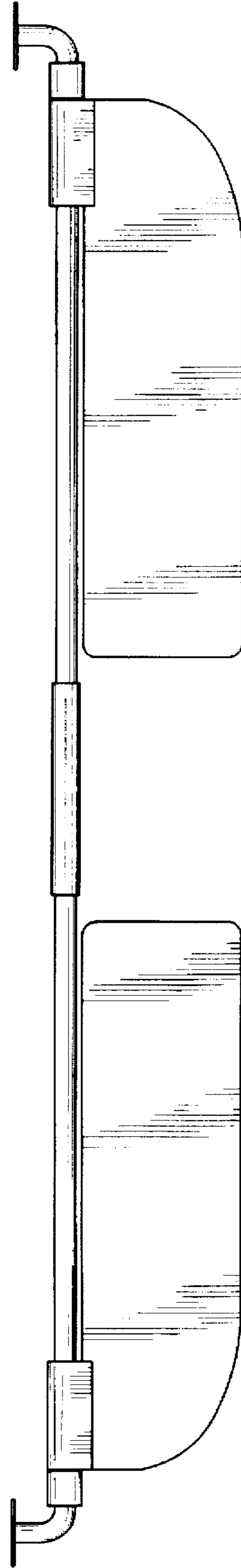


FIG. 3

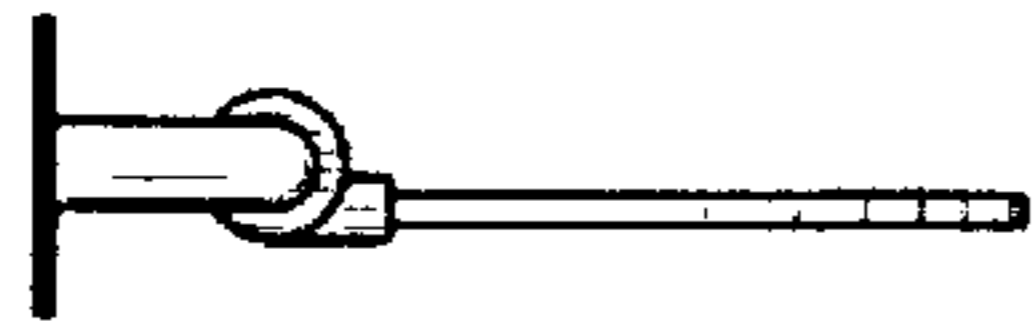


FIG. 4

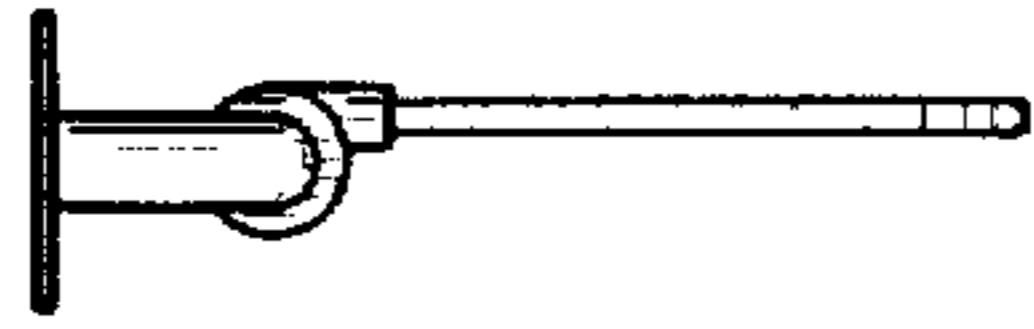


FIG. 5

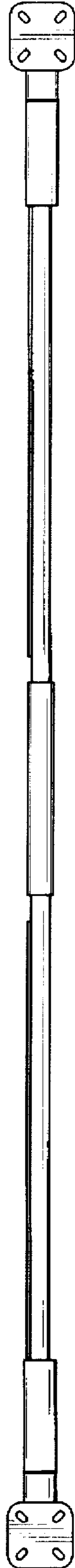


FIG. 6

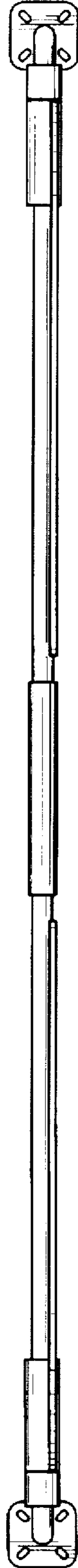
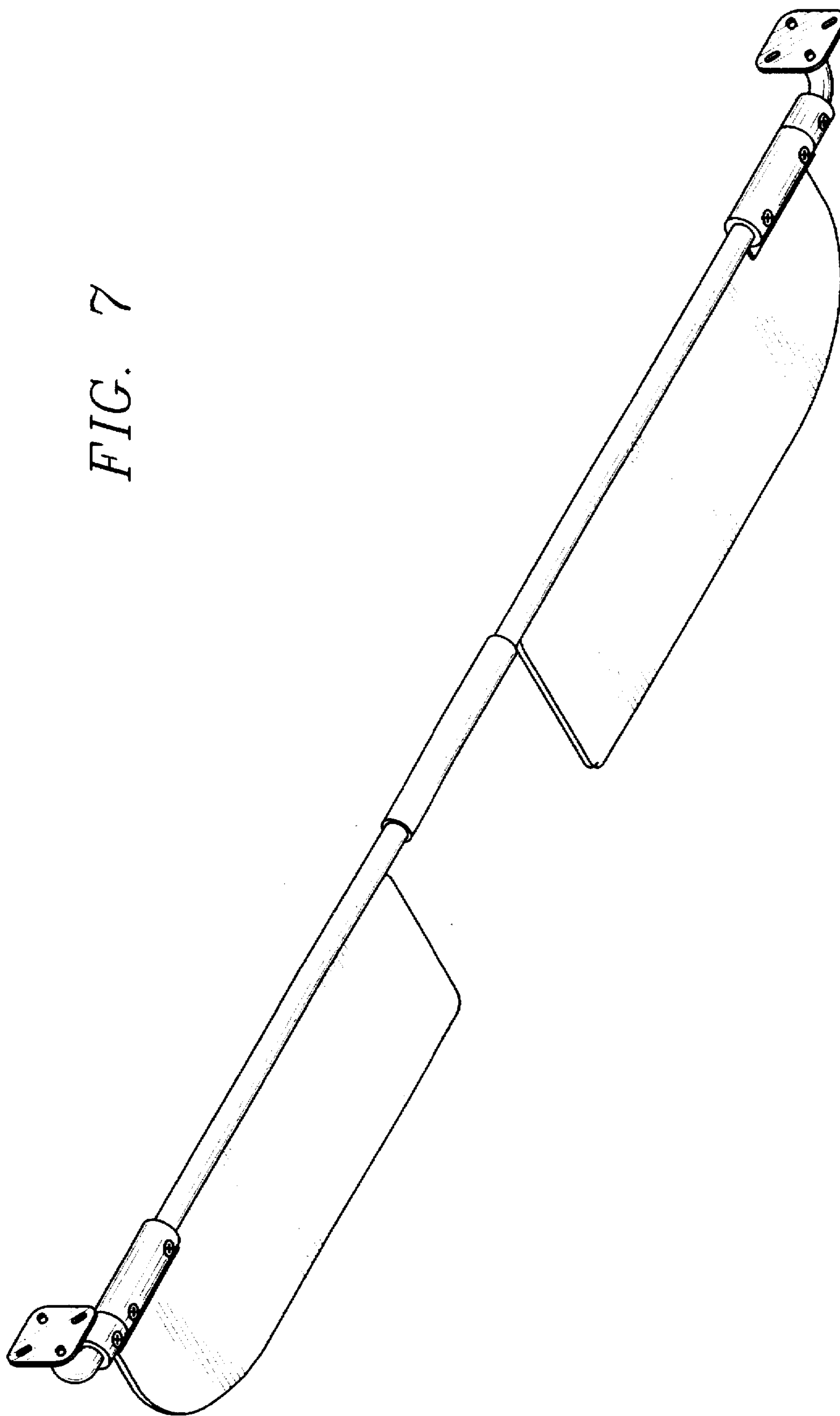


FIG. 7



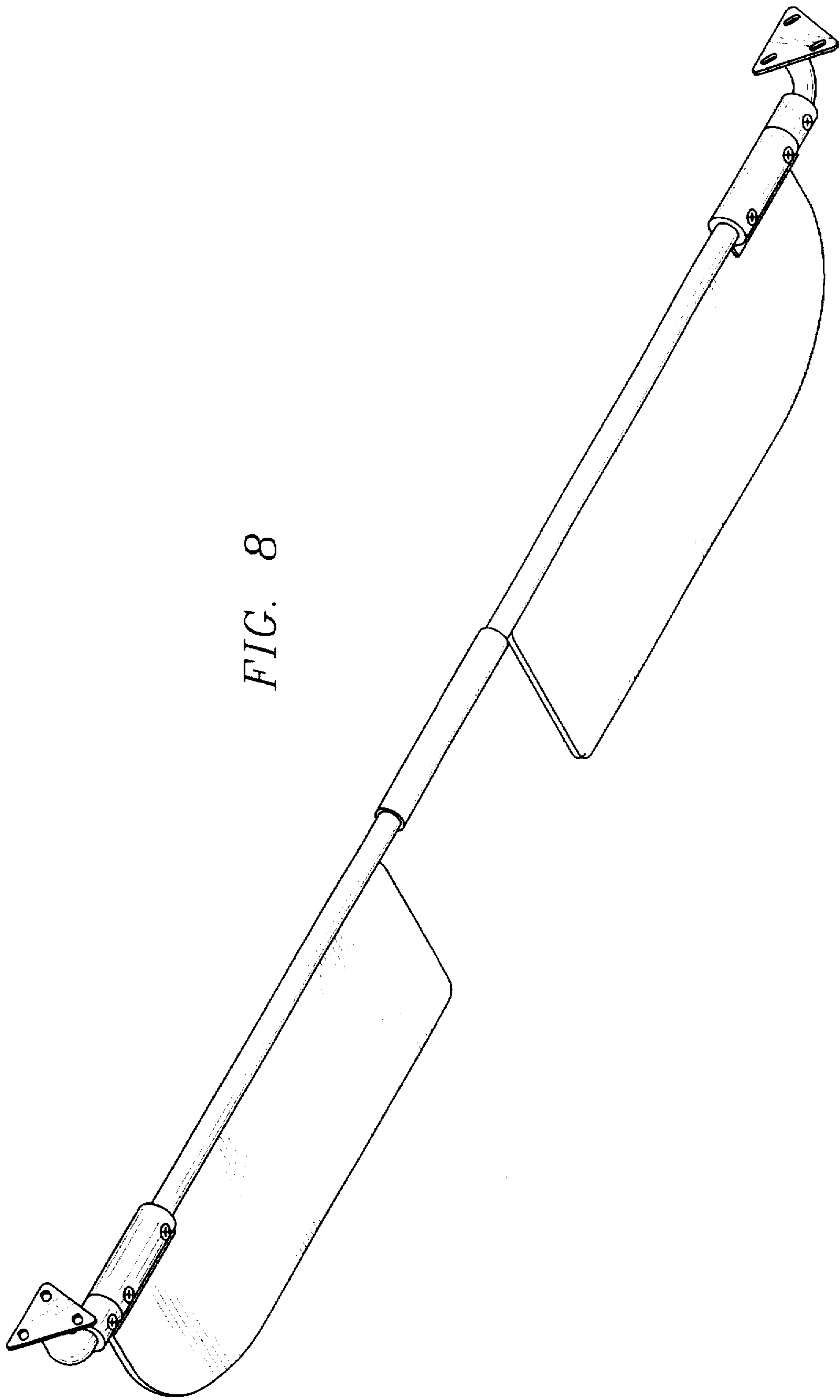


FIG. 8