



US00D393821S

United States Patent [19]

Brayer et al.

[11] Patent Number: **Des. 393,821**

[45] Date of Patent: ****Apr. 28, 1998**

[54] **TIRE TREAD**

M 94 07 109 10/1995 Germany .

[75] Inventors: **Randall Raymond Brayer**, North Canton; **Christopher Paul Johenning**, Wadsworth, both of Ohio

[73] Assignee: **The Goodyear Tire & Rubber Company**, Akron, Ohio

[**] Term: **14 Years**

[21] Appl. No.: **66,231**

[22] Filed: **Feb. 7, 1997**

[51] LOC (6) Cl. **12-15**

[52] U.S. Cl. **D12/147**

[58] Field of Search D12/136, 138, D12/140-152; 152/209 A, 209 B, 209 D, 209 R

OTHER PUBLICATIONS

Pirelli Directional Tire, Modern Tire Dealer Magazine, p. 24, Feb. 1995.

Continental Super Contact CH51/CV51/CZ51 Tire, 1995 Tread Design Guide, p. 16, Jan. 1995.

Heritage Mega Togue Plus 2 Tire, 1996 Tread Design Guide, p. 38, Feb. 1996.

Yokohama Nexus Tire, 1995, Tread Design Guide, p. 77, Feb. 1996.

Primary Examiner—James Gandy

Assistant Examiner—Robert M. Spear

Attorney, Agent, or Firm—T P Lewandowski

[57] CLAIM

The ornamental design for a tire tread, as shown and described.

[56] References Cited

U.S. PATENT DOCUMENTS

D. 92,383	6/1934	Althen	D12/147
D. 305,016	12/1989	Hayakawa et al.	D12/147
D. 328,729	8/1992	Maxwell et al.	D12/147
D. 330,882	11/1992	Hasegawa	D12/147
D. 333,456	2/1993	Woo	D12/147
D. 362,221	9/1995	Van Emburg	D12/147
D. 377,159	1/1997	Shirai et al.	D12/147
D. 379,446	5/1997	Hutson et al.	D12/147
5,421,391	6/1995	Himuro	152/209 R
5,423,364	6/1995	Himuro	152/209 R

FOREIGN PATENT DOCUMENTS

M 92 05 891 5/1995 Germany .

DESCRIPTION

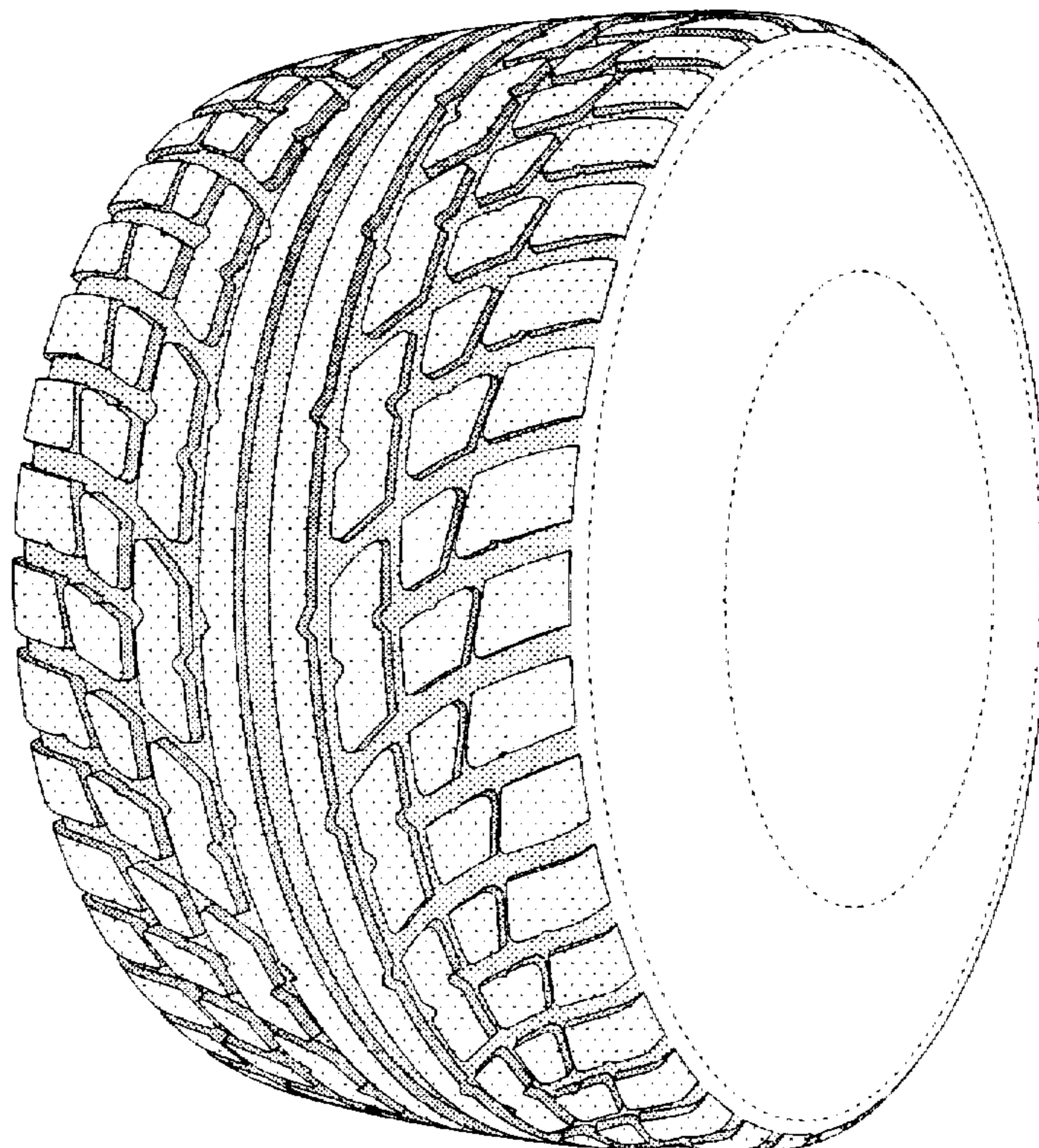
FIG. 1 is a perspective view of a tire tread, it being understood that the pattern repeats uniformly throughout the circumference of the tread;

FIG. 2 is an enlarged front elevational view thereof; and,

FIG. 3 is a right side elevational view thereof, the left side elevational view being a mirror image thereof.

In the drawings, the broken lines defining the inner bead of the sidewall and the peripheral boundary between the tire tread and the sidewall are for illustrative purposes only and form no part of the claimed design.

1 Claim, 3 Drawing Sheets



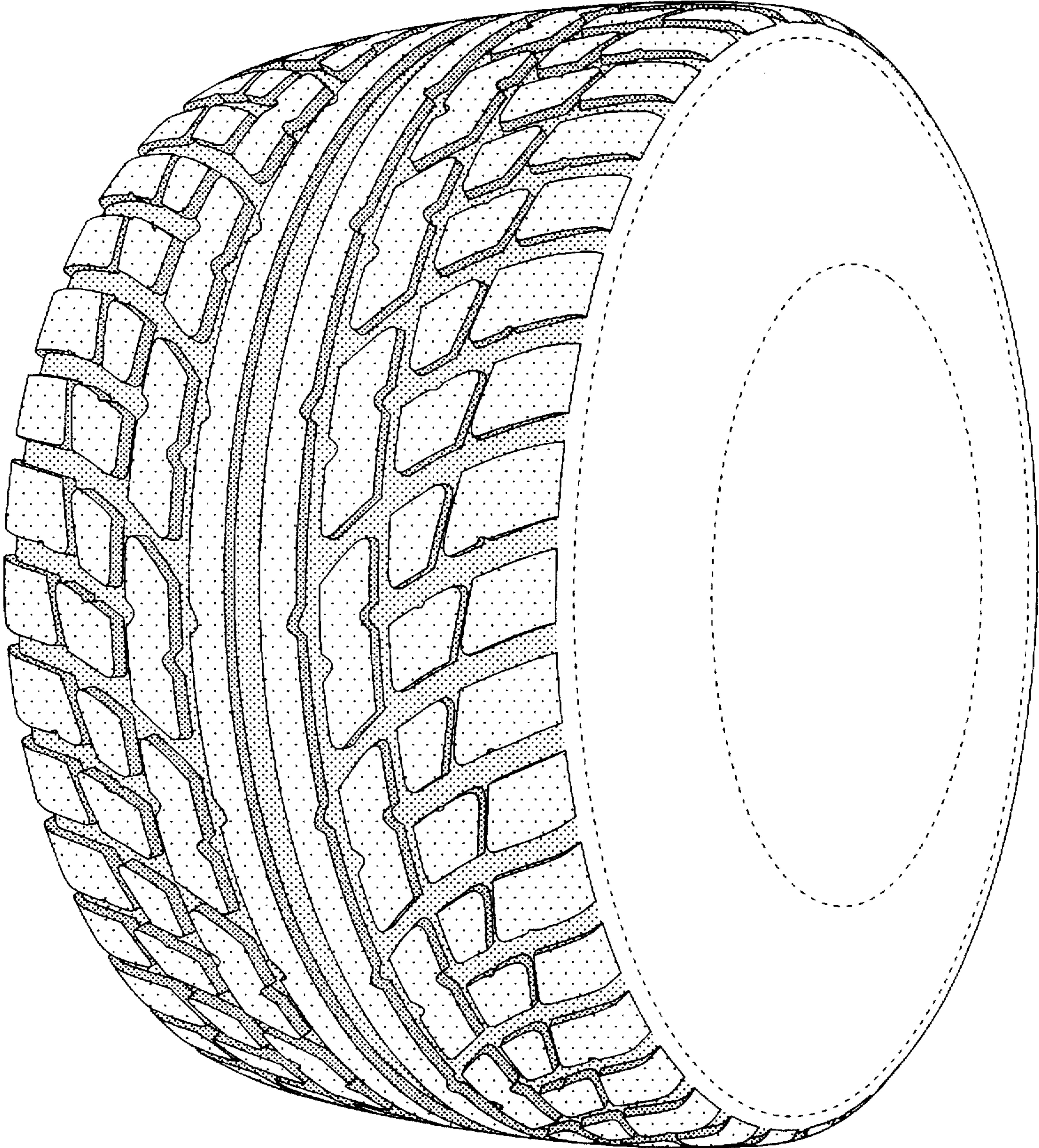


FIG-1

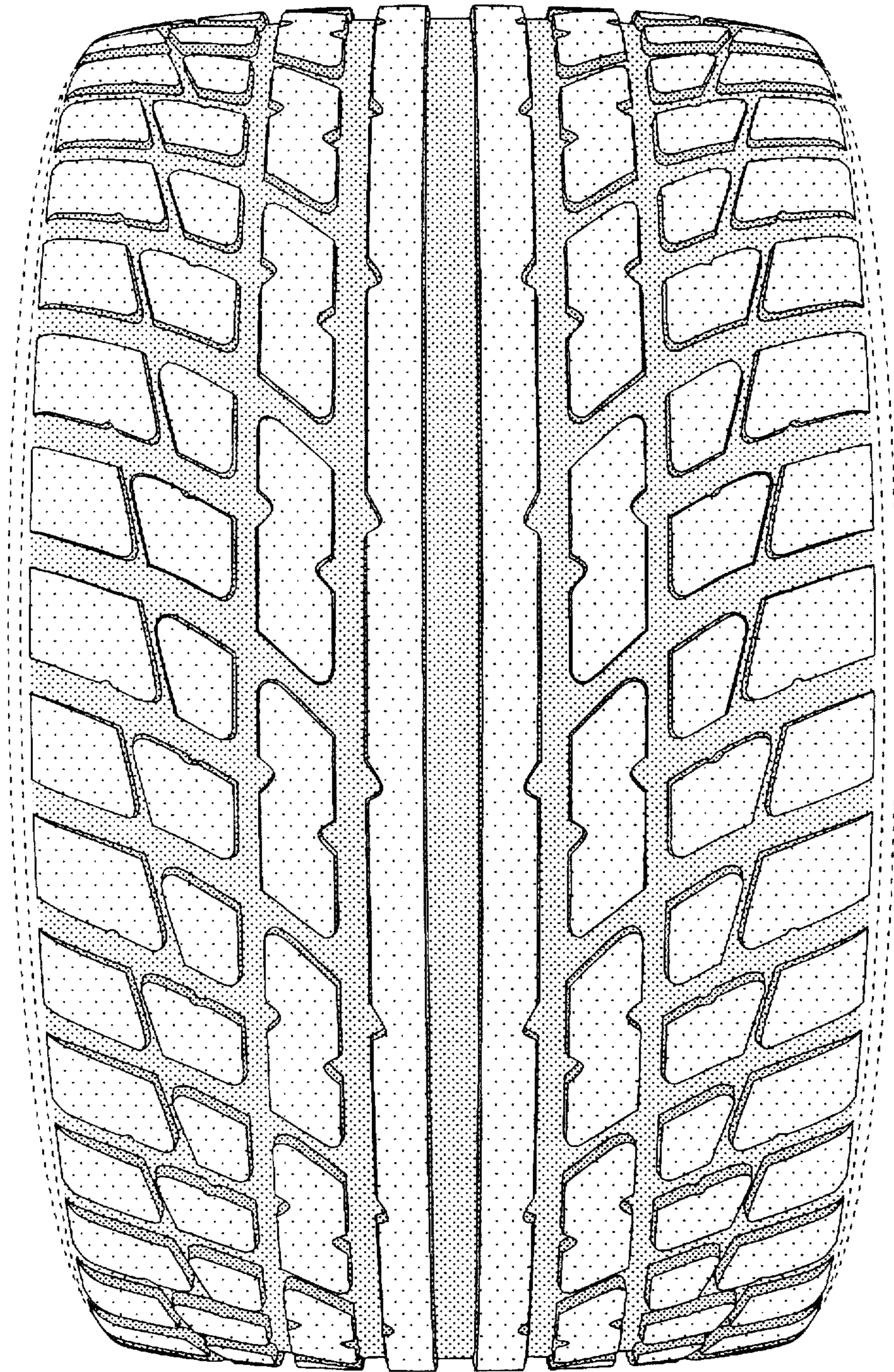


FIG-2

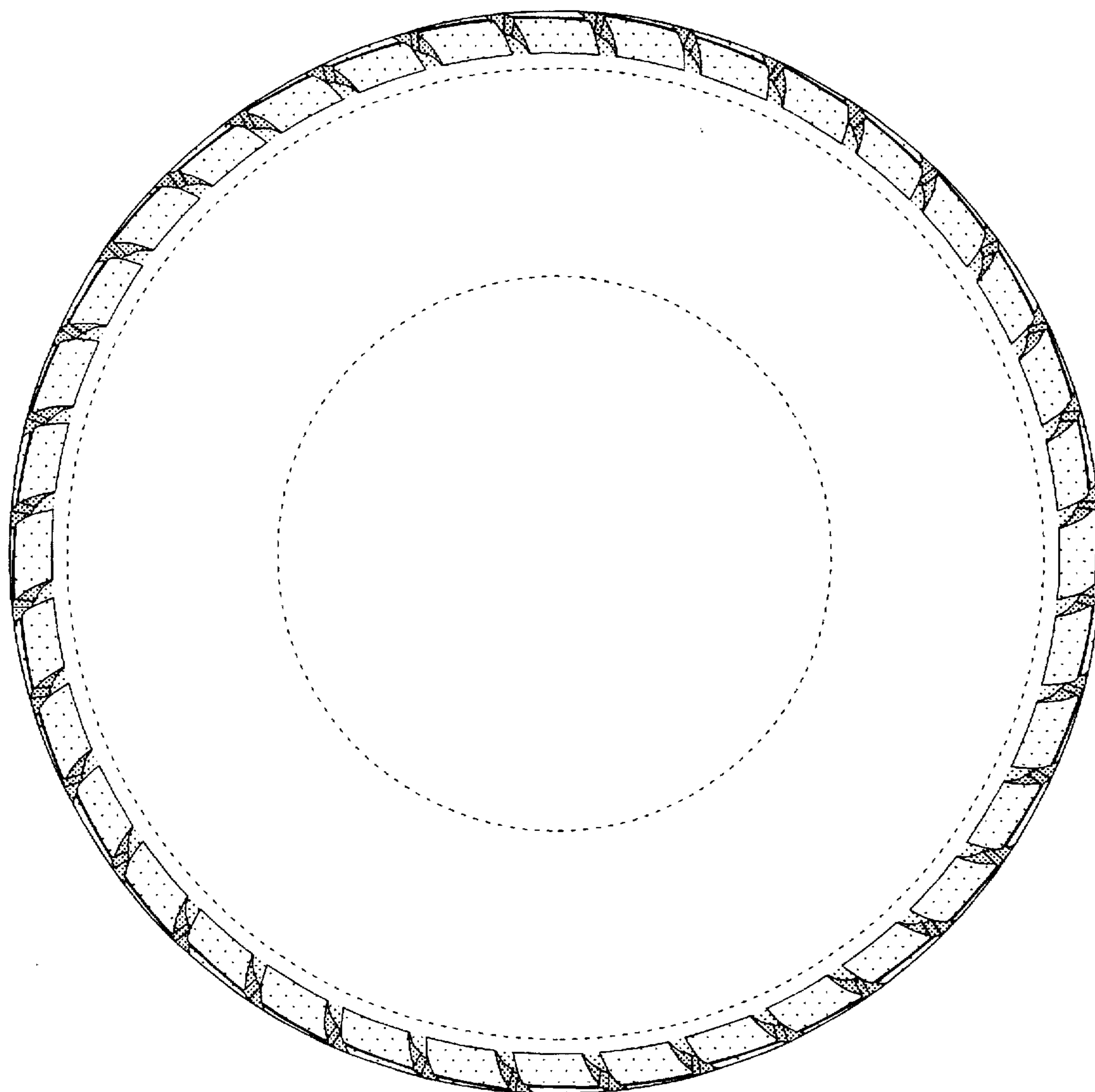


FIG-3