



US00D393819S

United States Patent [19]
Litke

[11] **Patent Number: Des. 393,819**
[45] **Date of Patent: **Apr. 28, 1998**

[54] **WHEELCHAIR FRAME**

[75] **Inventor: Ronald George Litke, Naugatuck, Conn.**

[73] **Assignee: Cannondale Corporation, Georgetown, Conn.**

[**] **Term: 14 Years**

[21] **Appl. No.: 69,478**

[22] **Filed: Apr. 18, 1997**

[51] **LOC (6) Cl. 12-12**

[52] **U.S. Cl. D12/131**

[58] **Field of Search D12/128-133; 280/250.1, 647, 242.1; 297/DIG. 4**

[56] **References Cited**

U.S. PATENT DOCUMENTS

D. 344,702	3/1994	Robertson et al.	D12/131
4,652,005	3/1987	Hartwell	D12/131
5,480,179	1/1996	Peacock	280/650

Primary Examiner—Kay H. Chin
Attorney, Agent, or Firm—Pennie & Edmonds LLP

[57] **CLAIM**

The ornamental design for a wheelchair frame, as shown and described.

DESCRIPTION

FIG. 1 is a perspective view of a wheelchair frame showing

my new design;

FIG. 2 is a right side view thereof;

FIG. 3 is a left side view thereof;

FIG. 4 is a top view thereof;

FIG. 5 is a bottom view thereof;

FIG. 6 is a front view thereof;

FIG. 7 is a back view thereof;

FIG. 8 is a perspective view of a second embodiment of a wheelchair frame, with the wheelchair wheels shown in broken lines, showing my new design;

FIG. 9 is a right side view of the second embodiment thereof;

FIG. 10 is a left side view of the second embodiment thereof;

FIG. 11 is a top view of the second embodiment thereof;

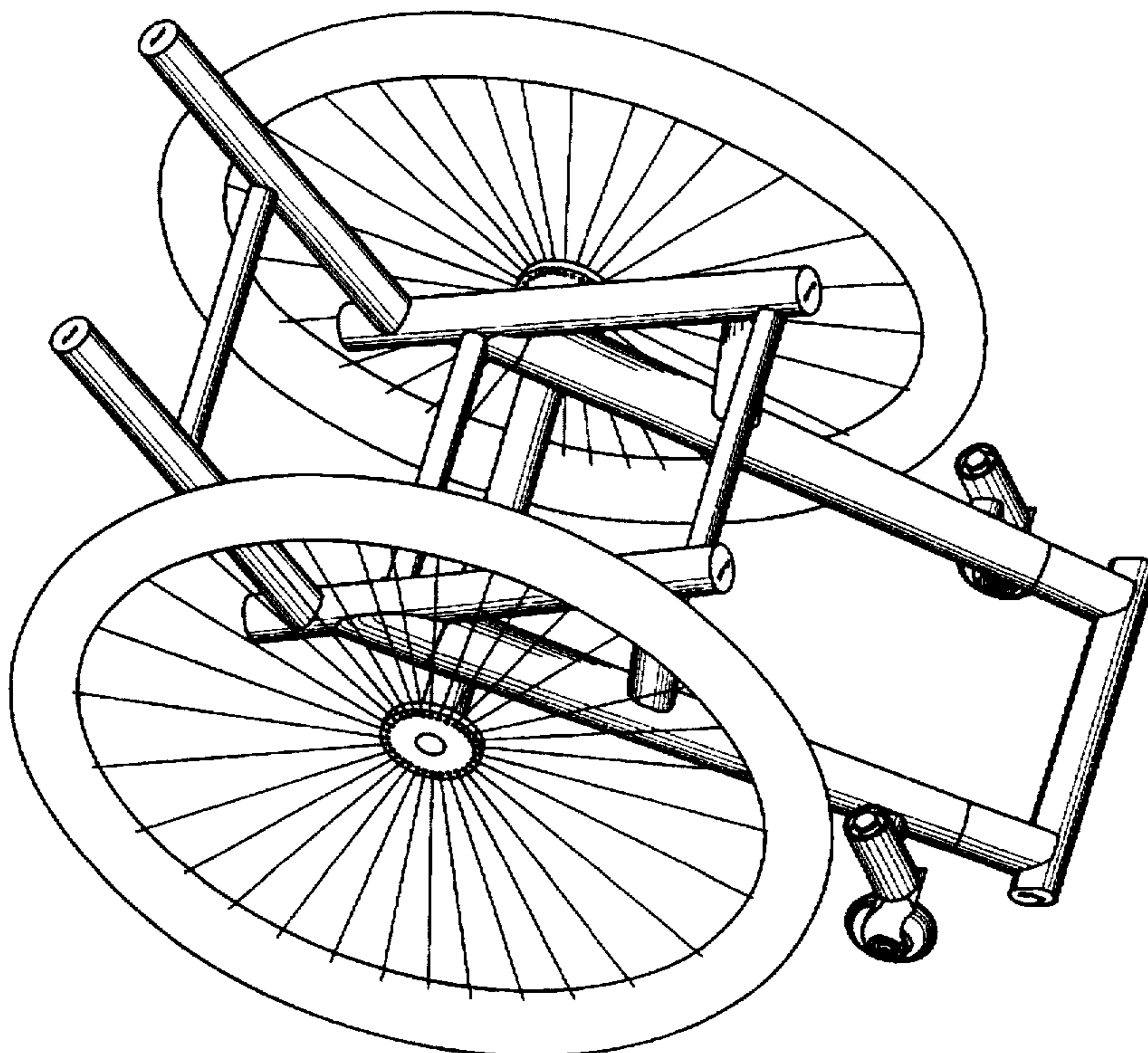
FIG. 12 is a bottom view of the second embodiment thereof;

FIG. 13 is a front view of the second embodiment thereof; and,

FIG. 14 is a back view of the second embodiment thereof.

The broken lines showing the wheelchair wheels in FIGS. 8-12 are for illustrative purposes only and form no part of the claimed design.

1 Claim, 14 Drawing Sheets



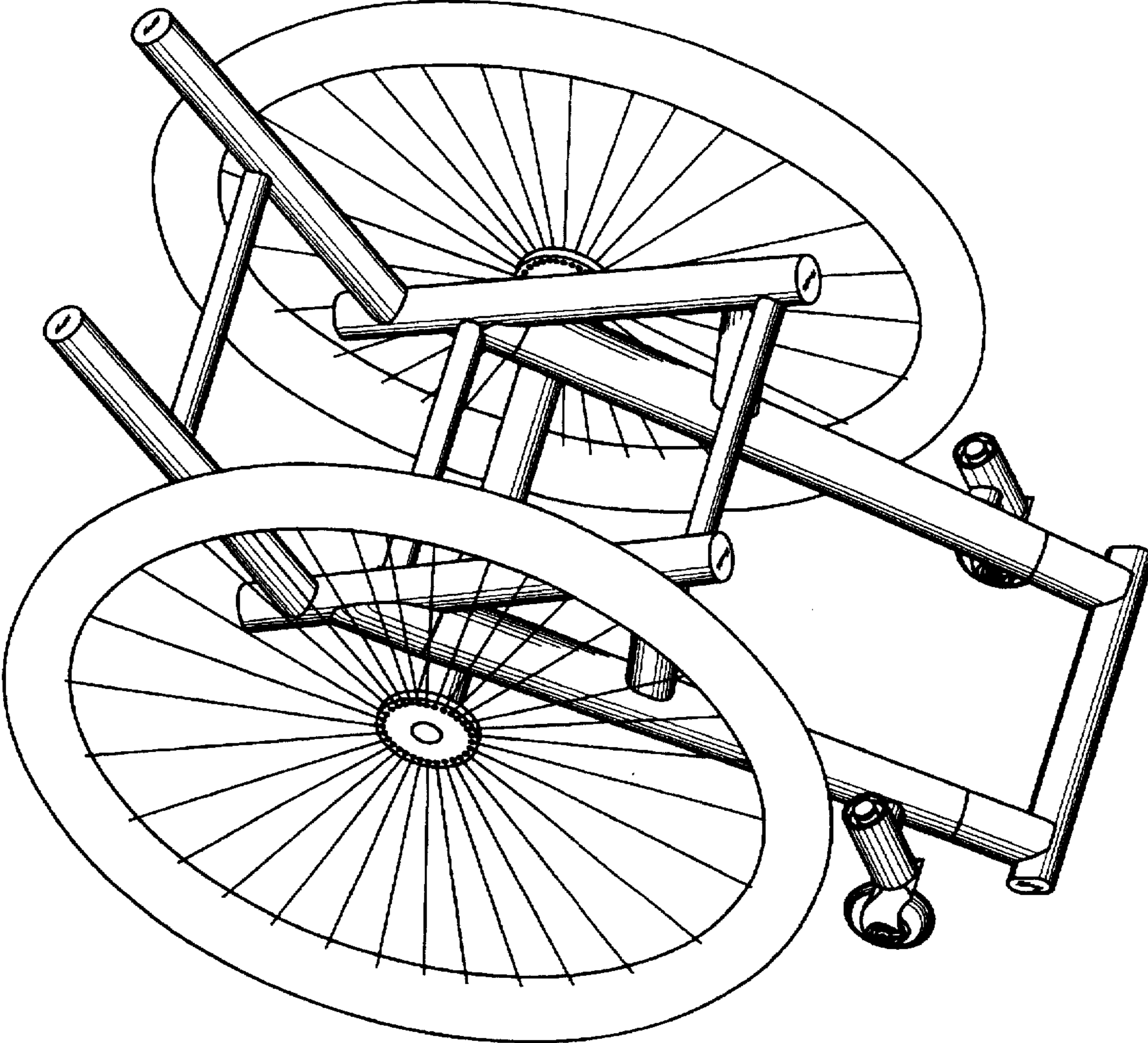


FIG 1

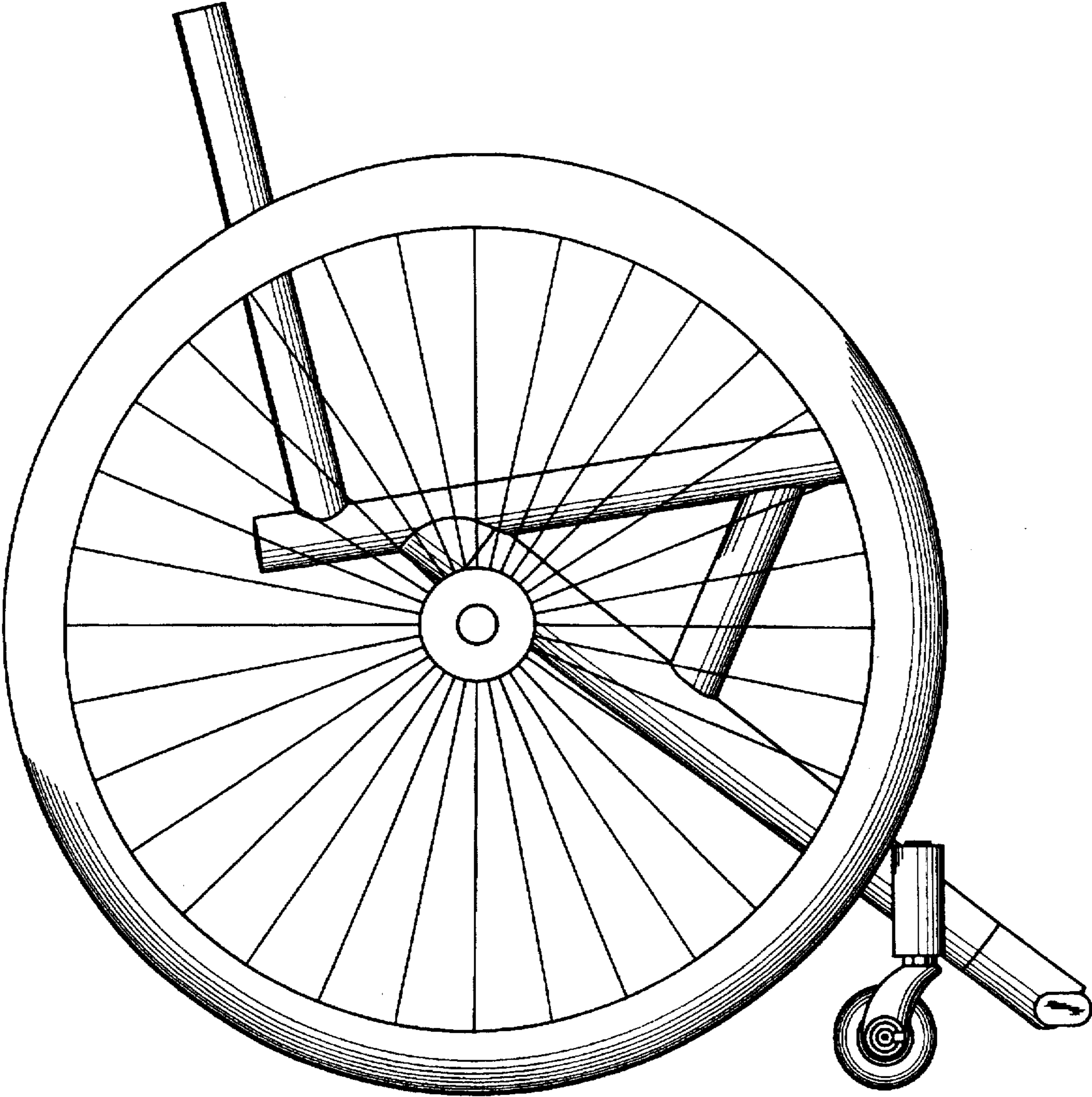


FIG 2

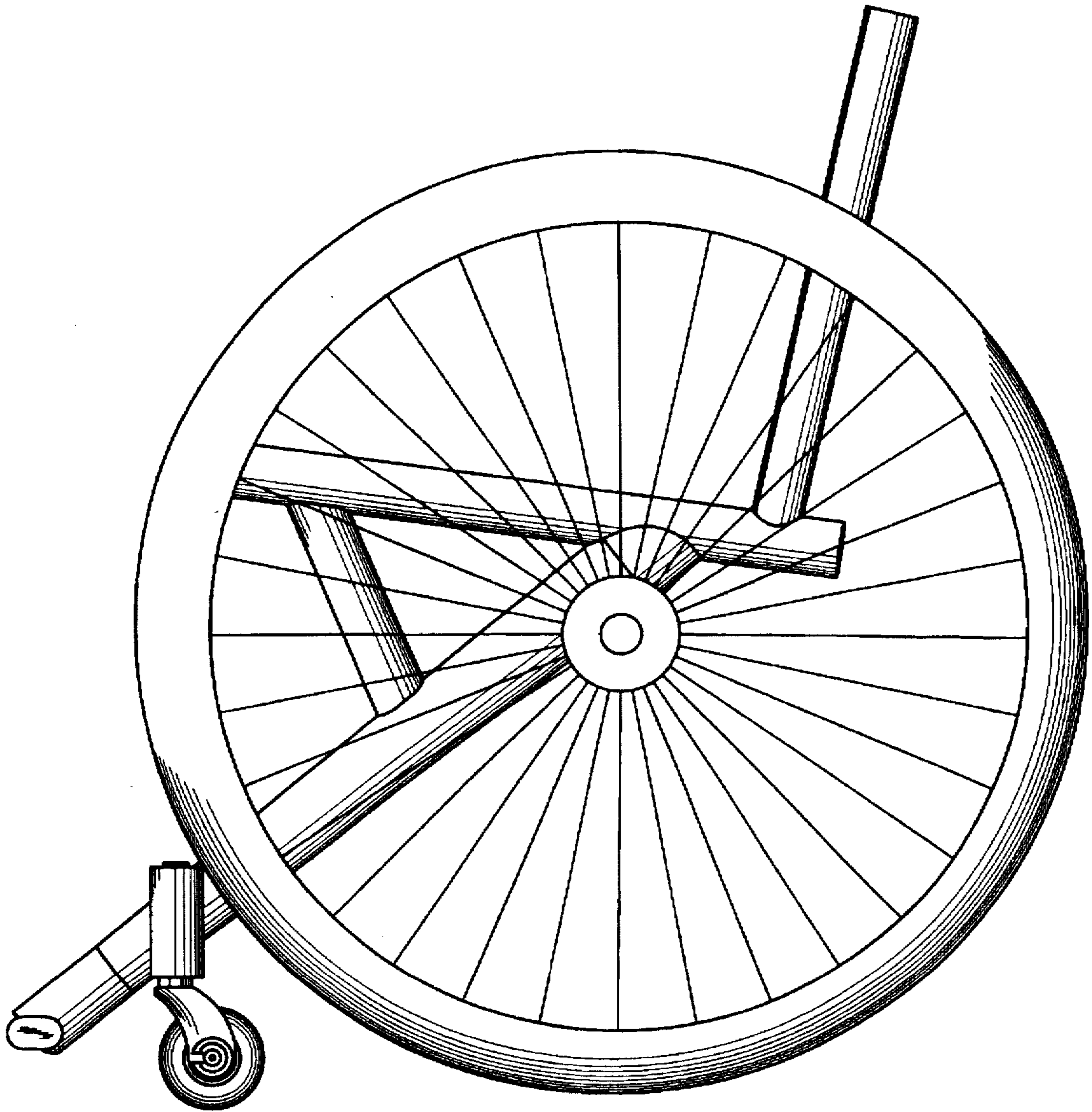


FIG 3

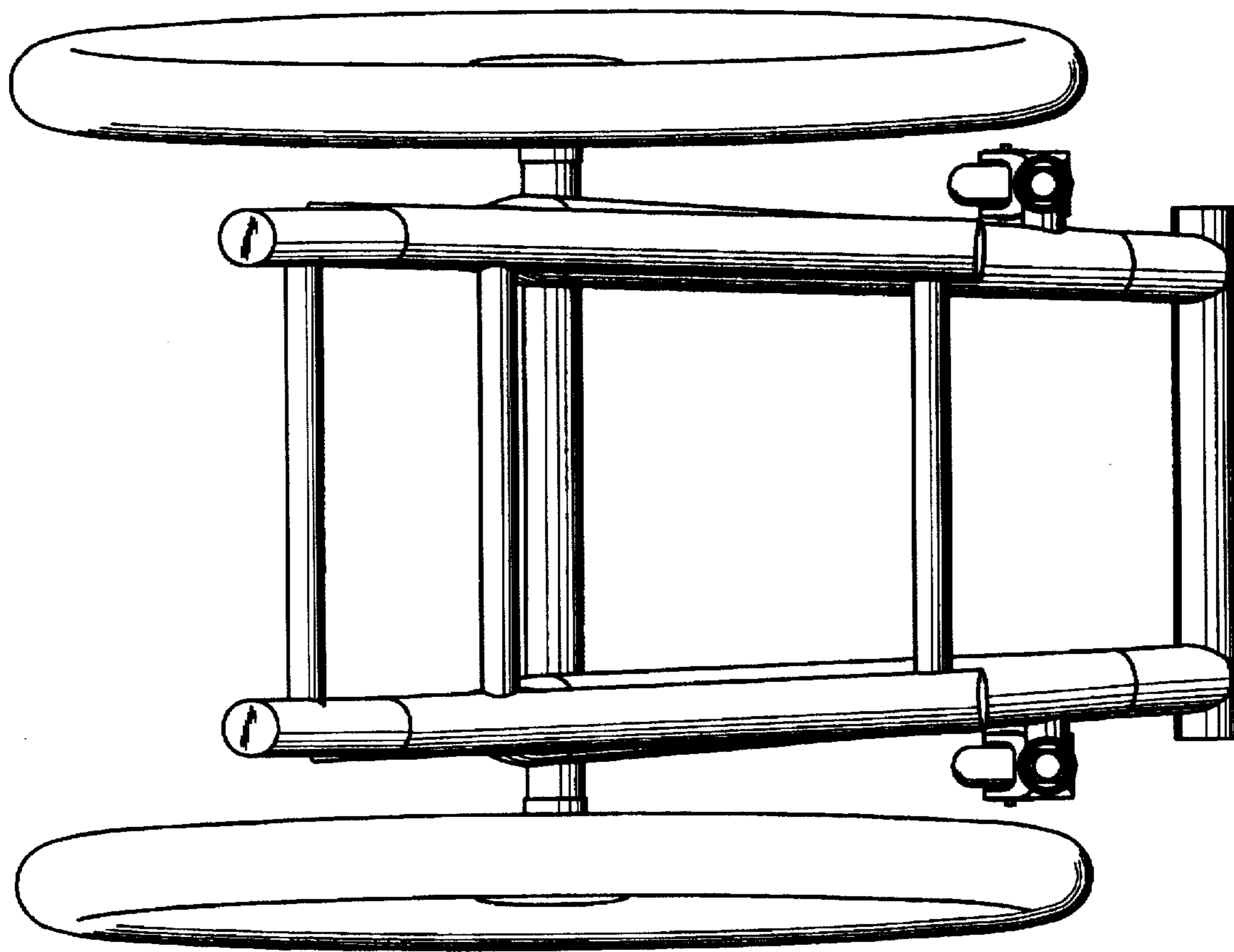


FIG 4

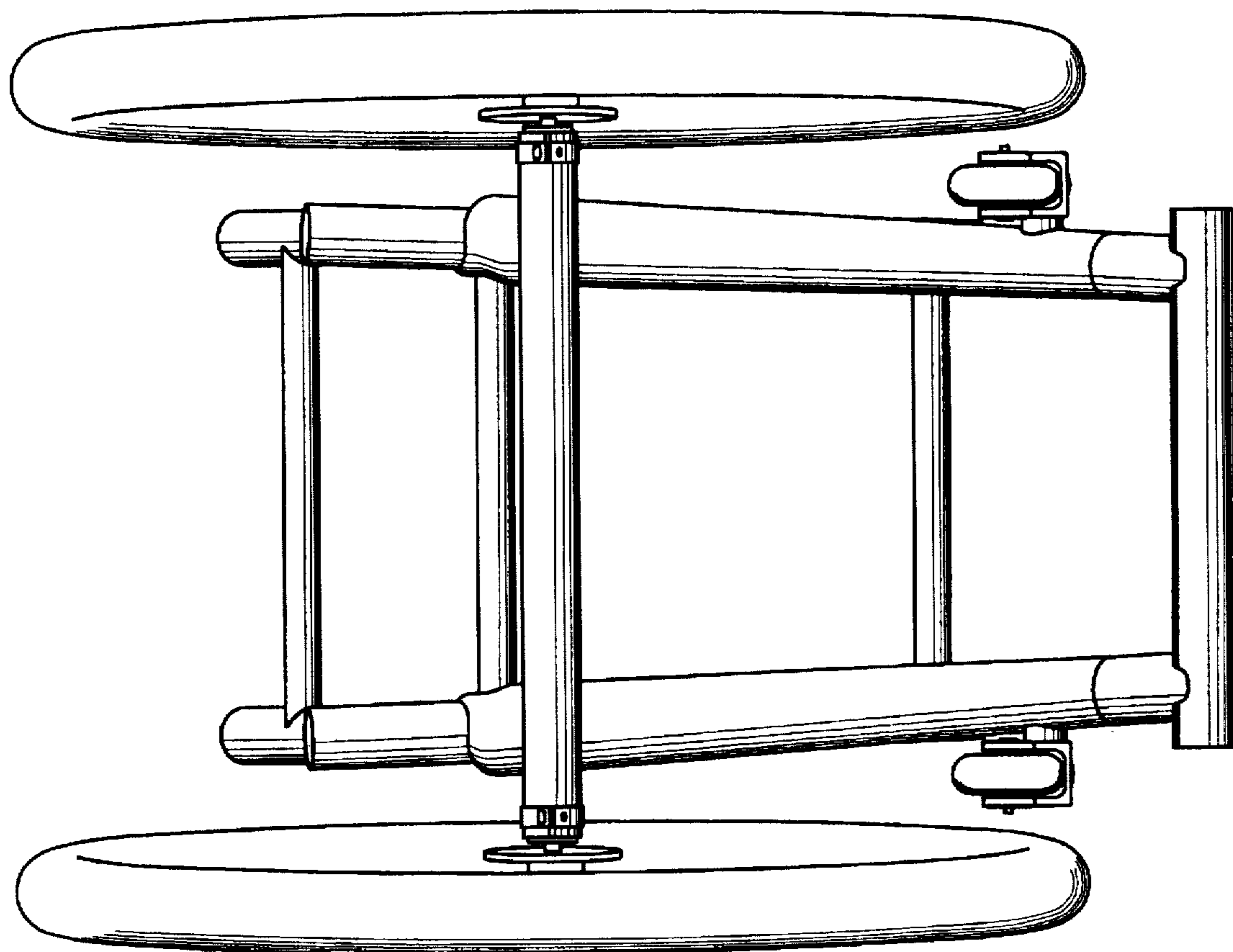


FIG 5

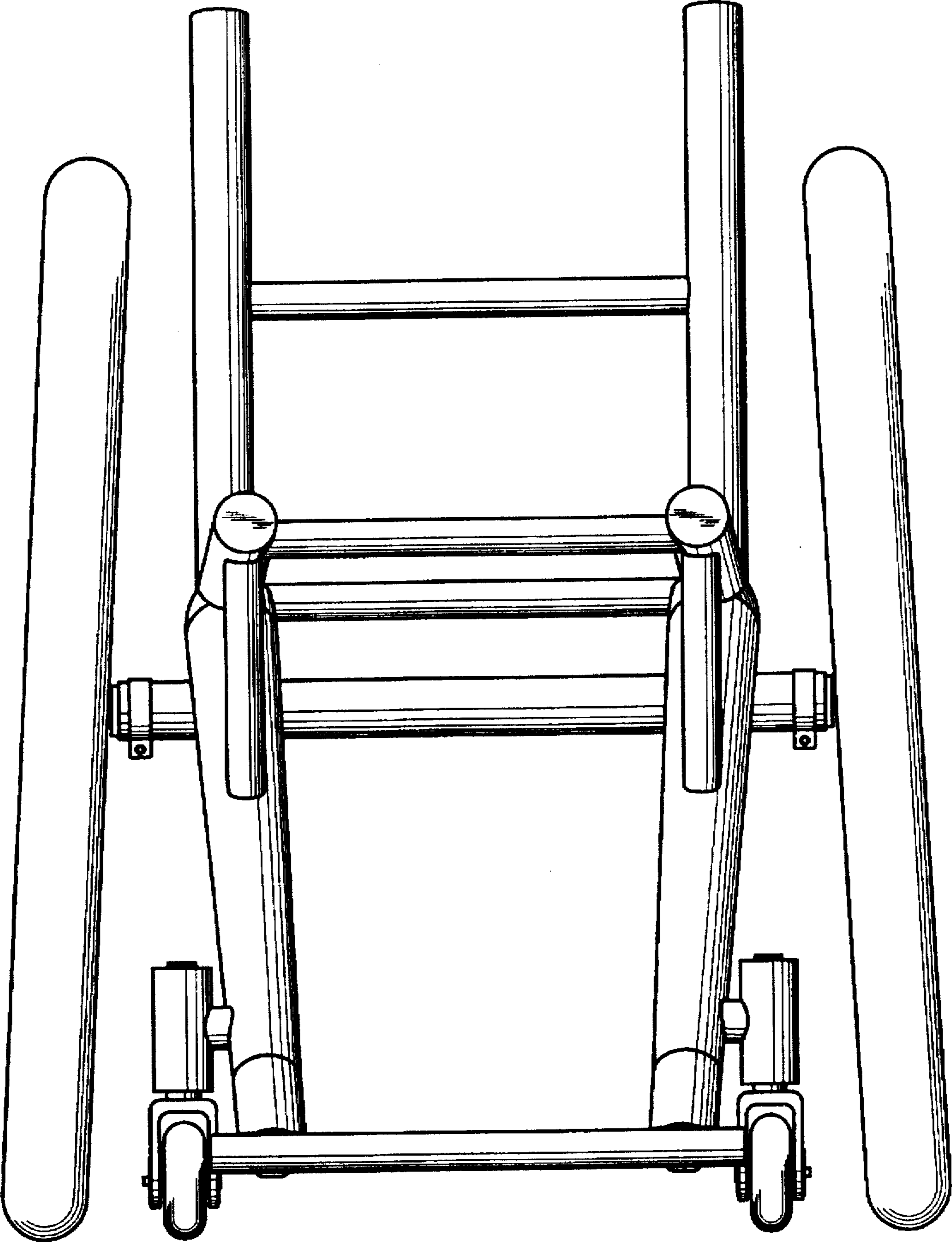


FIG 6

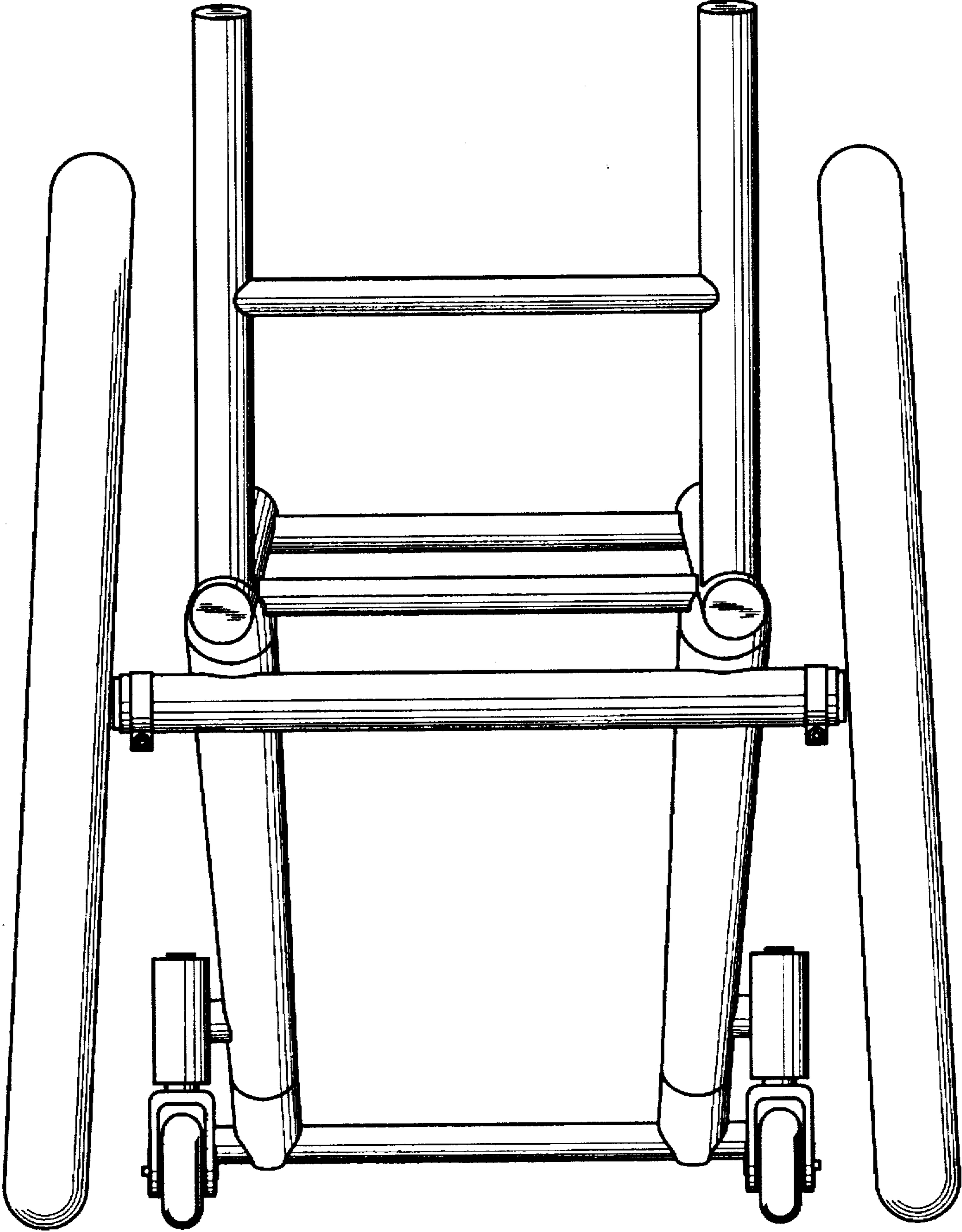


FIG 7

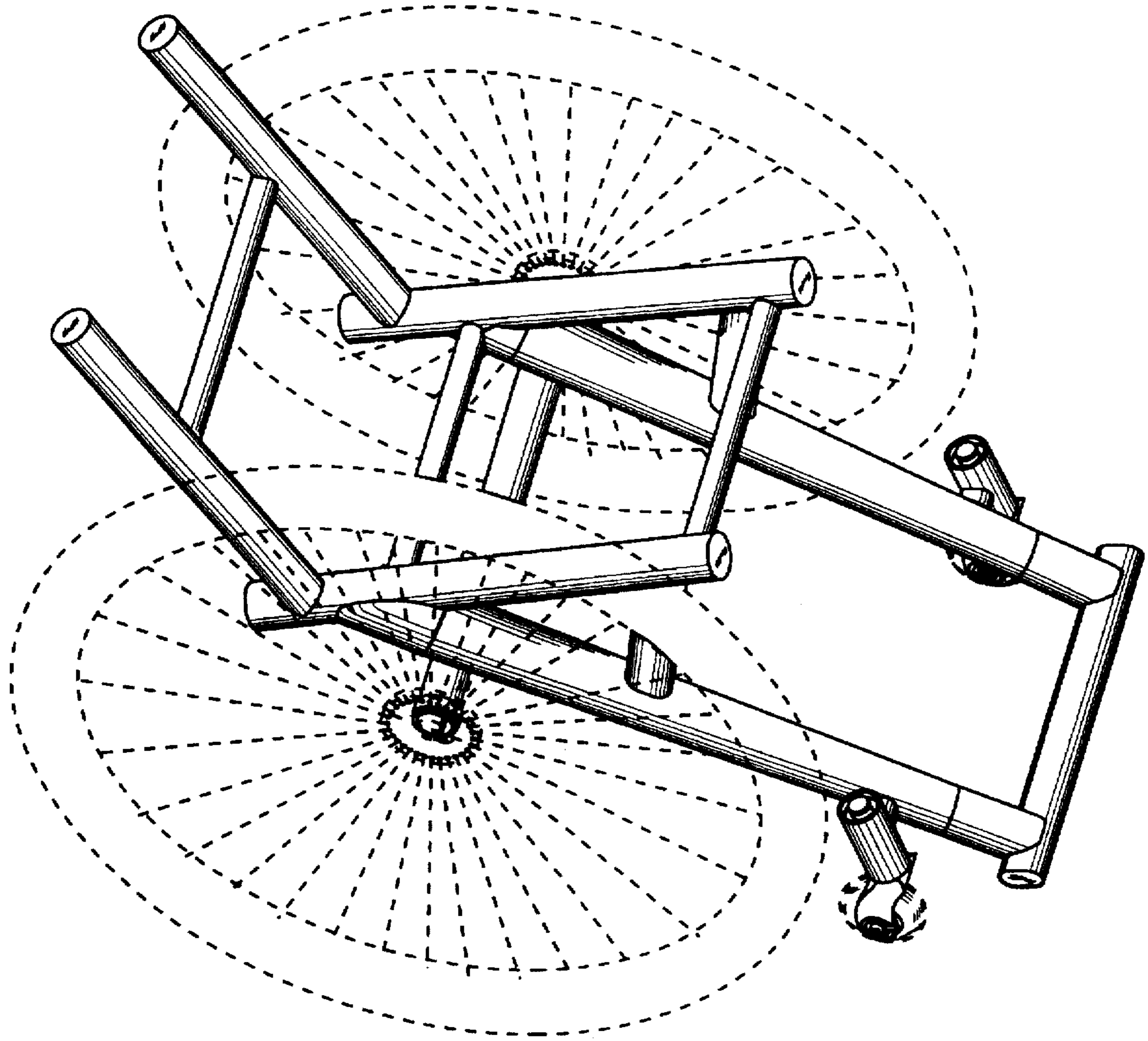


FIG 8

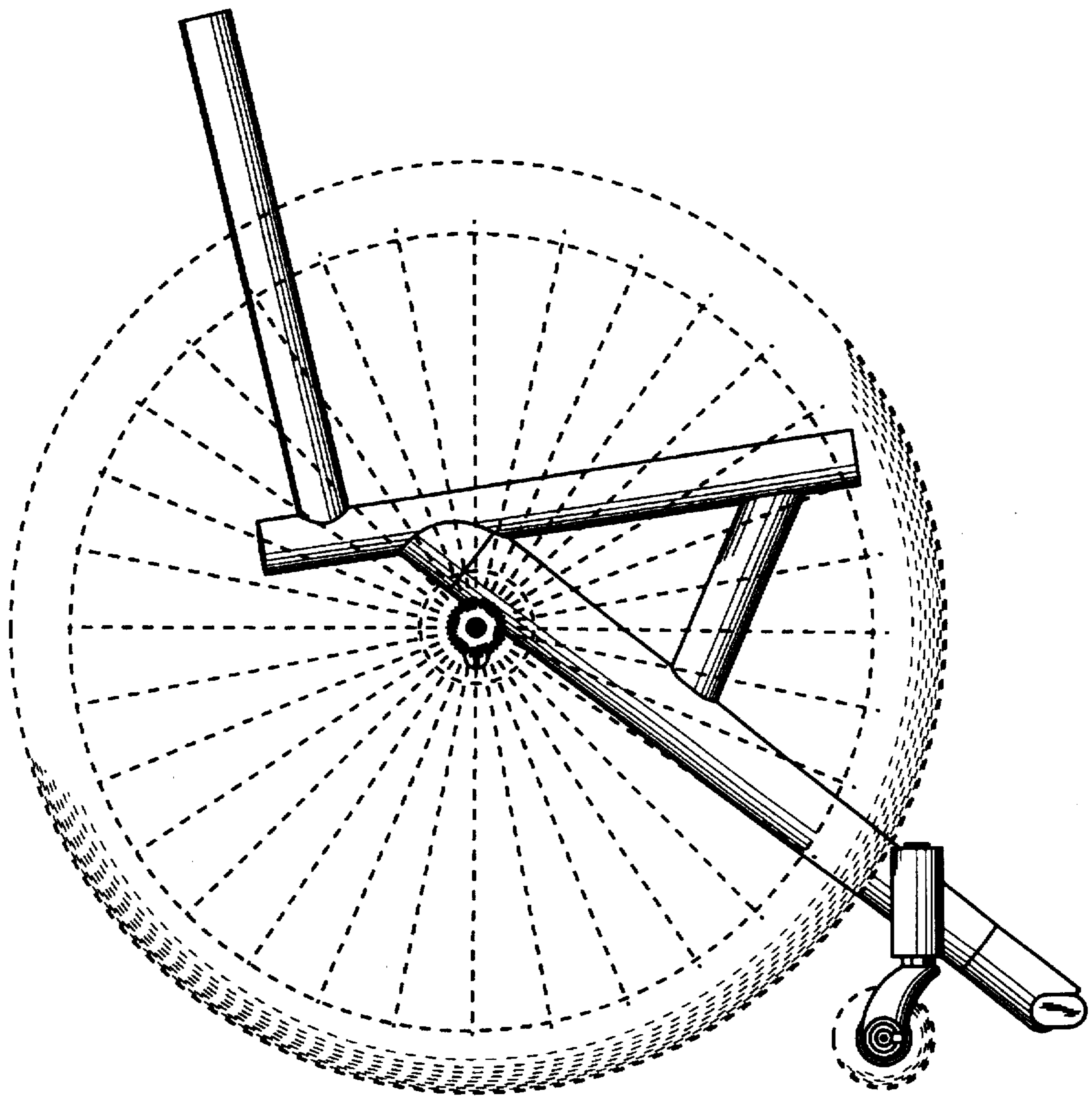


FIG 9

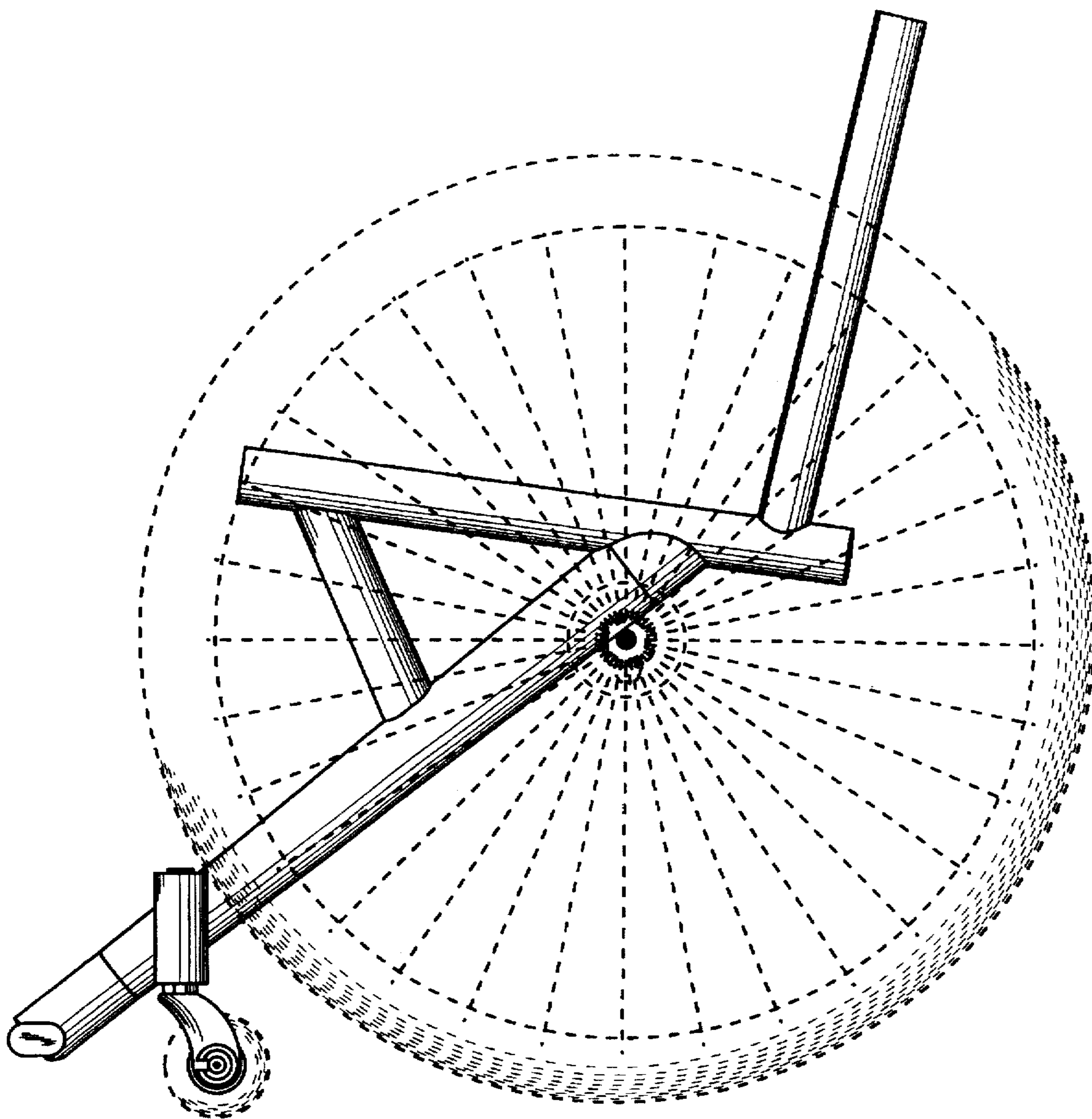


FIG 10

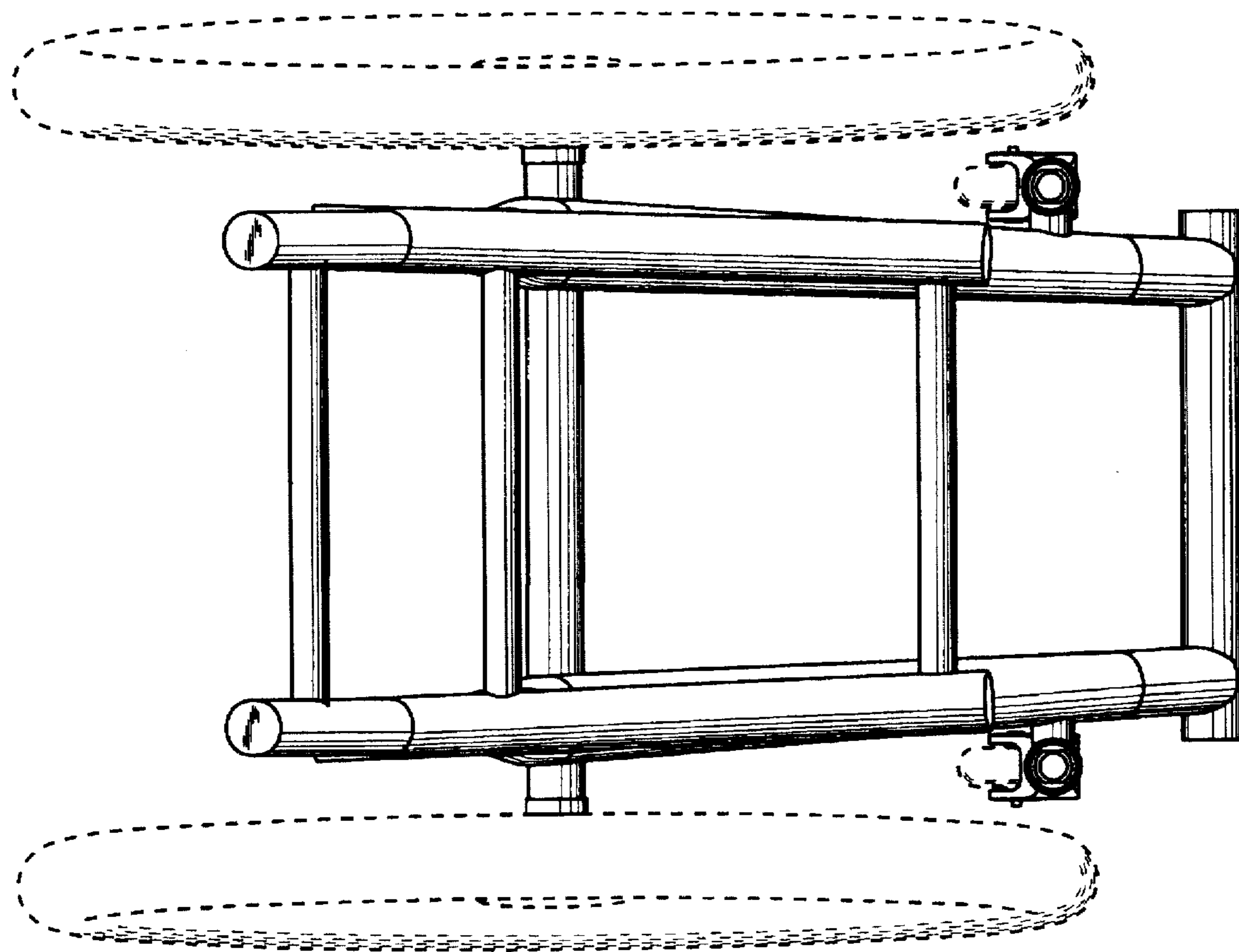


FIG 11

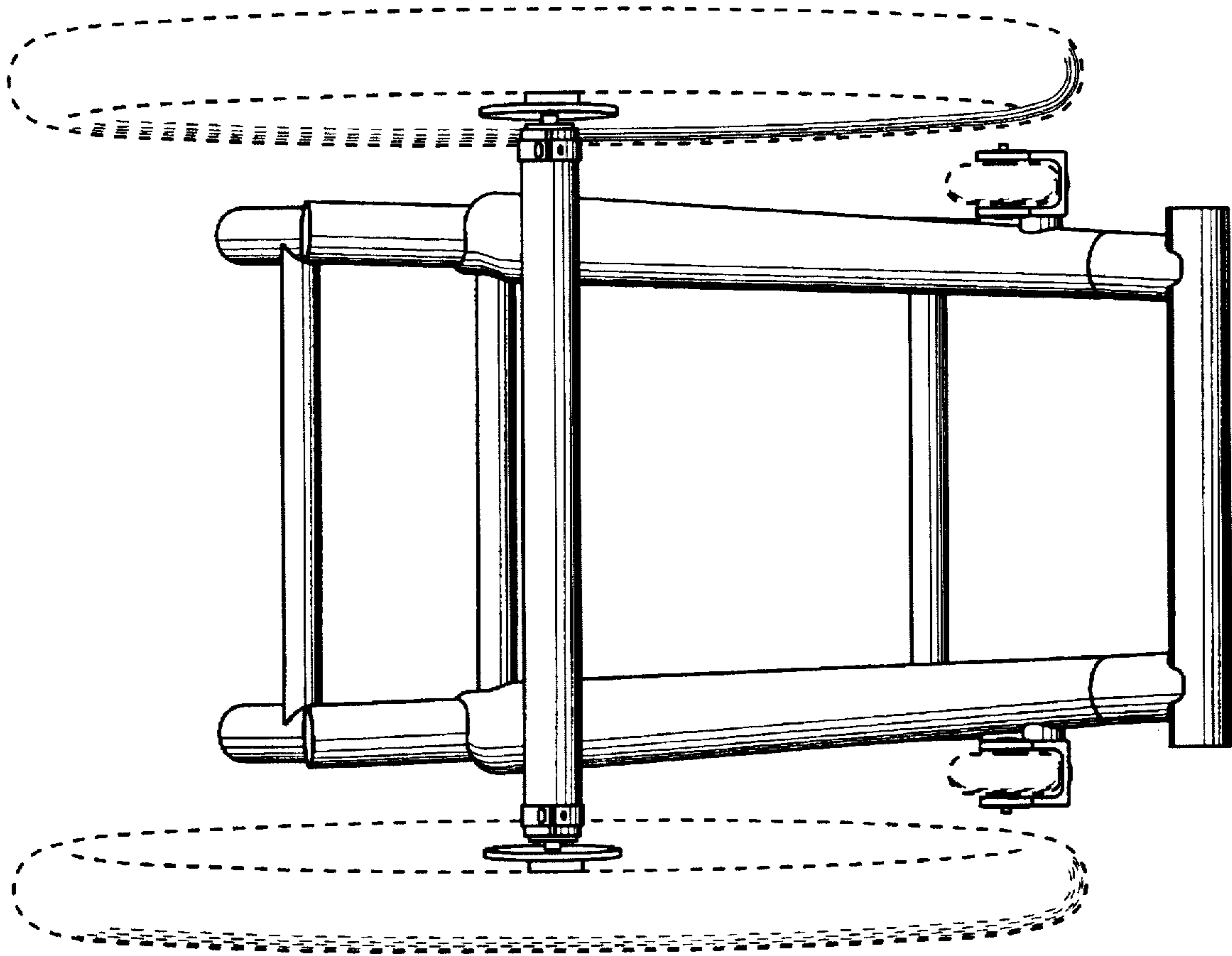


FIG 12

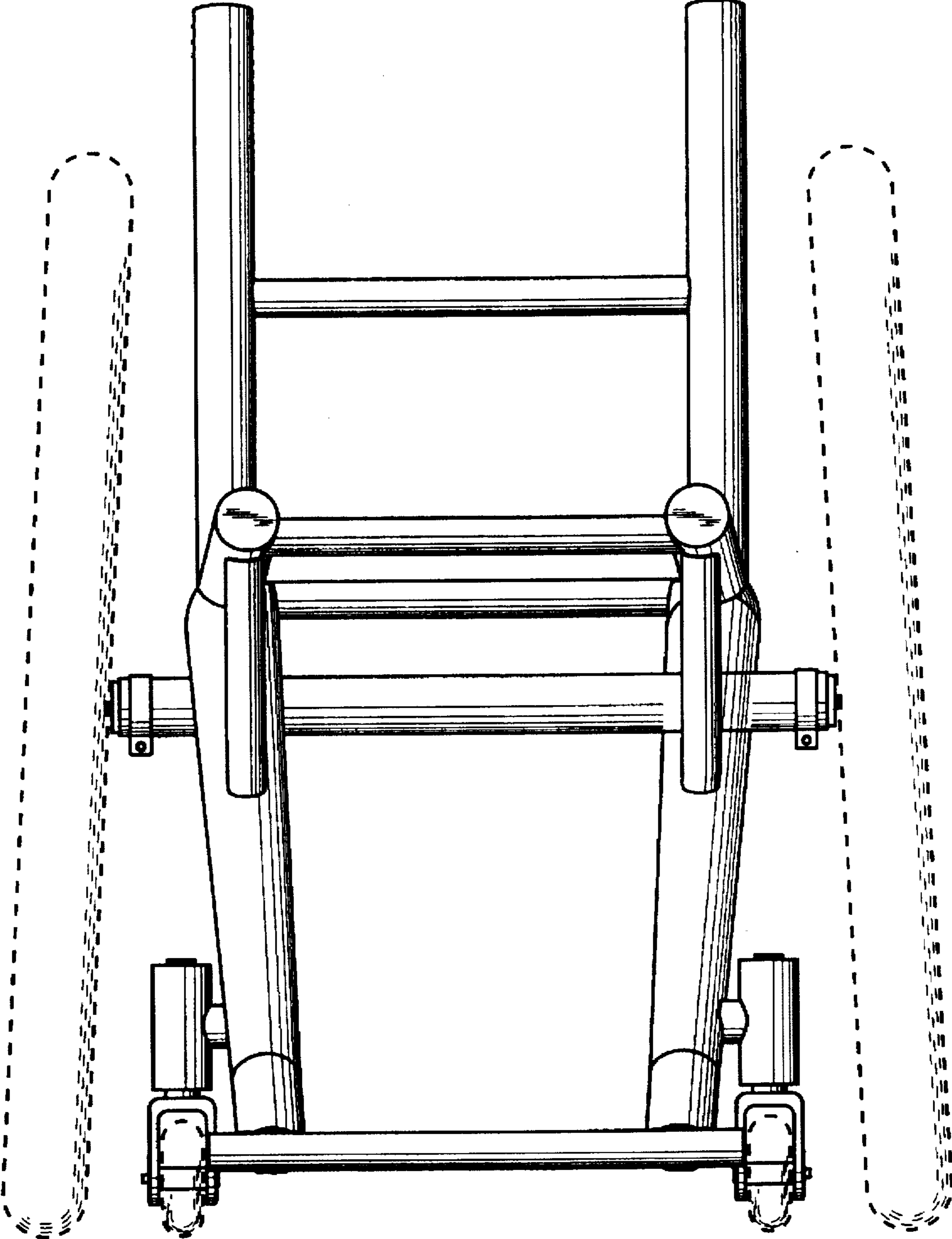


FIG 13

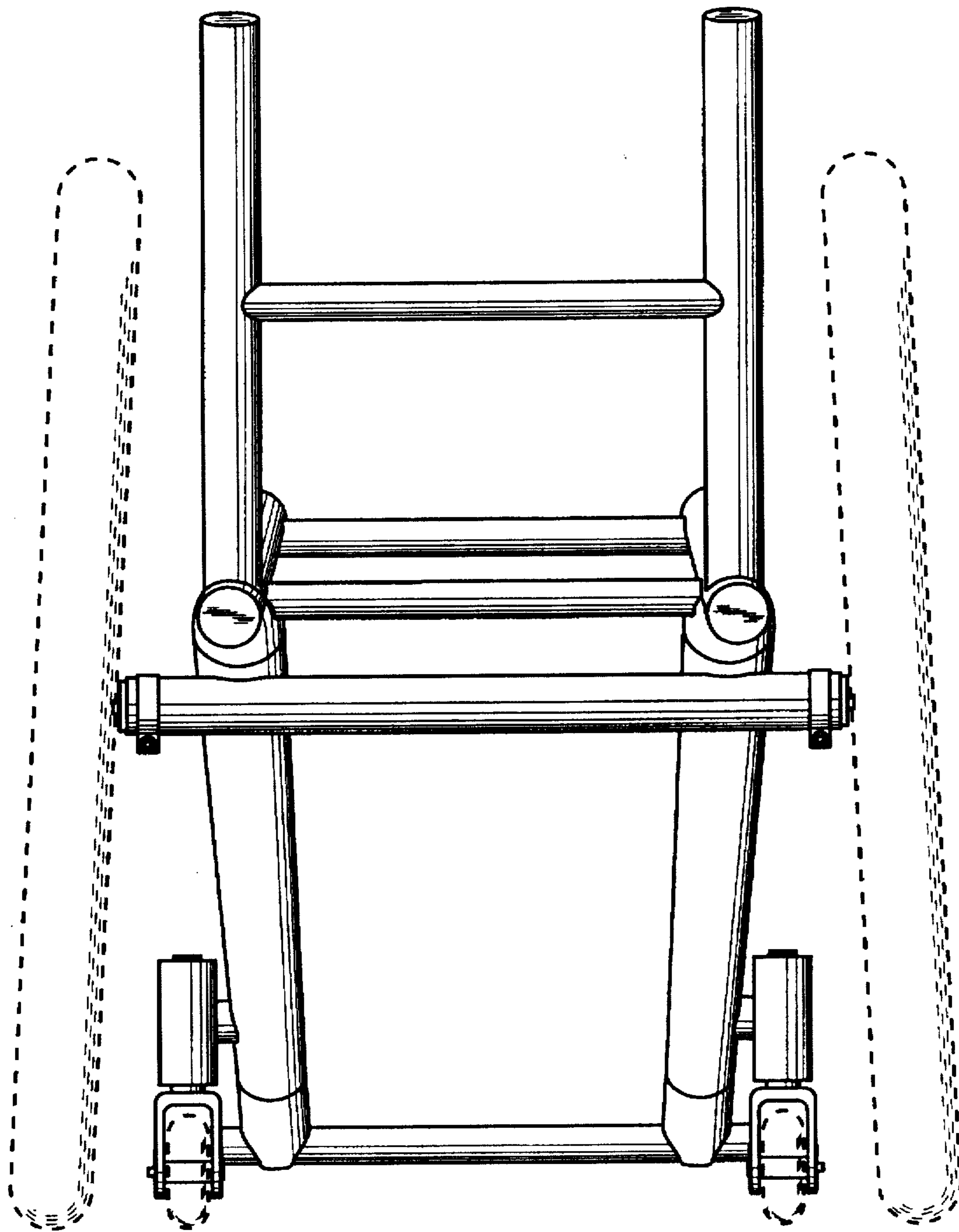


FIG 14