



US00D393817S

**United States Patent** [19]  
**Folley**

[11] **Patent Number: Des. 393,817**  
[45] **Date of Patent: \*\*Apr. 28, 1998**

[54] **PLANT BOWL**

2,850,079 9/1958 Prushnok et al. .... D7/584 X

[75] **Inventor: Roy Alexander Folley, Brighton, Australia**

**OTHER PUBLICATIONS**

H. Barrow Co. Inc.; 1947; p. 148; Yellow bowls middle of page.

[73] **Assignee: Gale Australia Pty. Ltd., Victoria, Australia**

*Primary Examiner*—Caron D. Veynar  
*Attorney, Agent, or Firm*—Ladas & Parry

[\*\*] **Term: 14 Years**

[57] **CLAIM**

[21] **Appl. No.: 43,453**

The ornamental design for plant bowl, as shown and described.

[22] **Filed: Aug. 30, 1995**

**DESCRIPTION**

[51] **LOC (6) Cl. .... 11-02**

[52] **U.S. Cl. .... D11/153; D11/152**

[58] **Field of Search .... D7/558, 584, 500; D11/143, 152, 153, 155, 156, 164; D6/403, 556; 47/66-68, 72, 41.01; 206/423; 248/27.8**

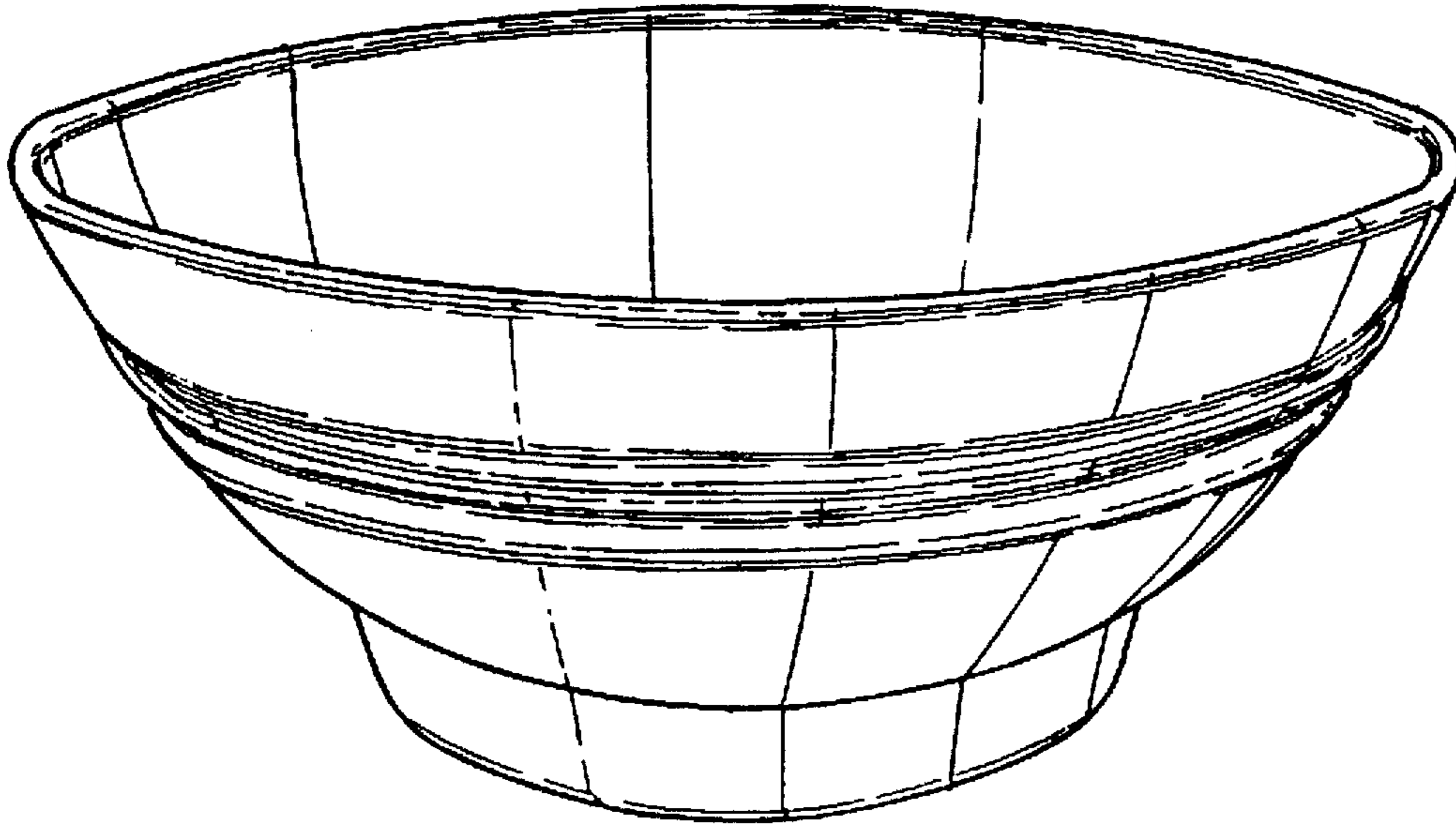
FIG. 1 is a top view of a plant bowl showing my new design; FIG. 2 is a front elevation thereof, the rear and both side elevations being the same and, therefore, not shown, these elevations also disclosing most of the bottom, the center remainder of the bottom being plane and unornamented and, therefore, not shown; and, FIG. 3 is a top/front/left side perspective view thereof.

[56] **References Cited**

**U.S. PATENT DOCUMENTS**

D. 246,750 12/1977 Harshman et al. .... D11/152 X

**1 Claim, 1 Drawing Sheet**



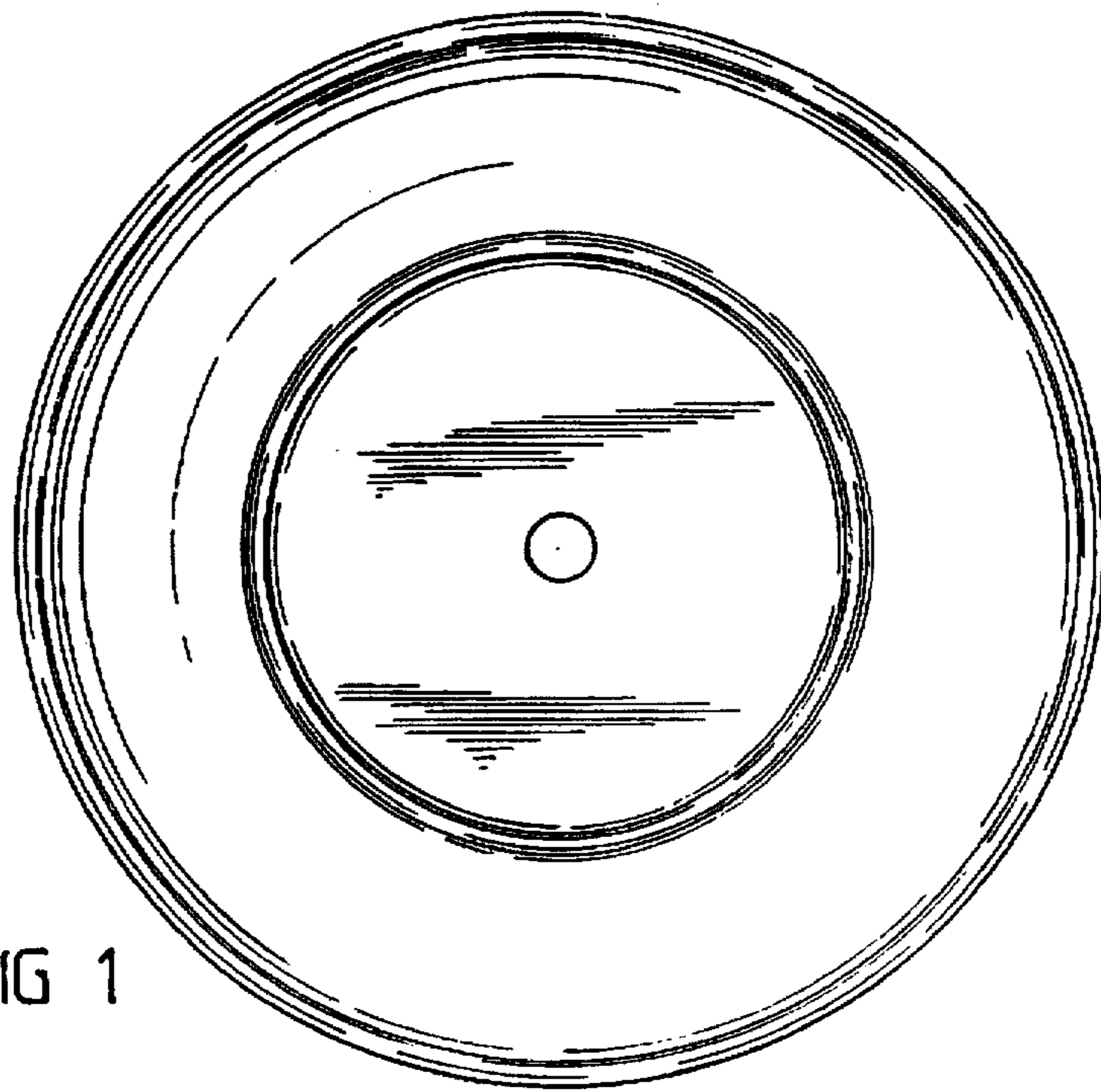


FIG 1

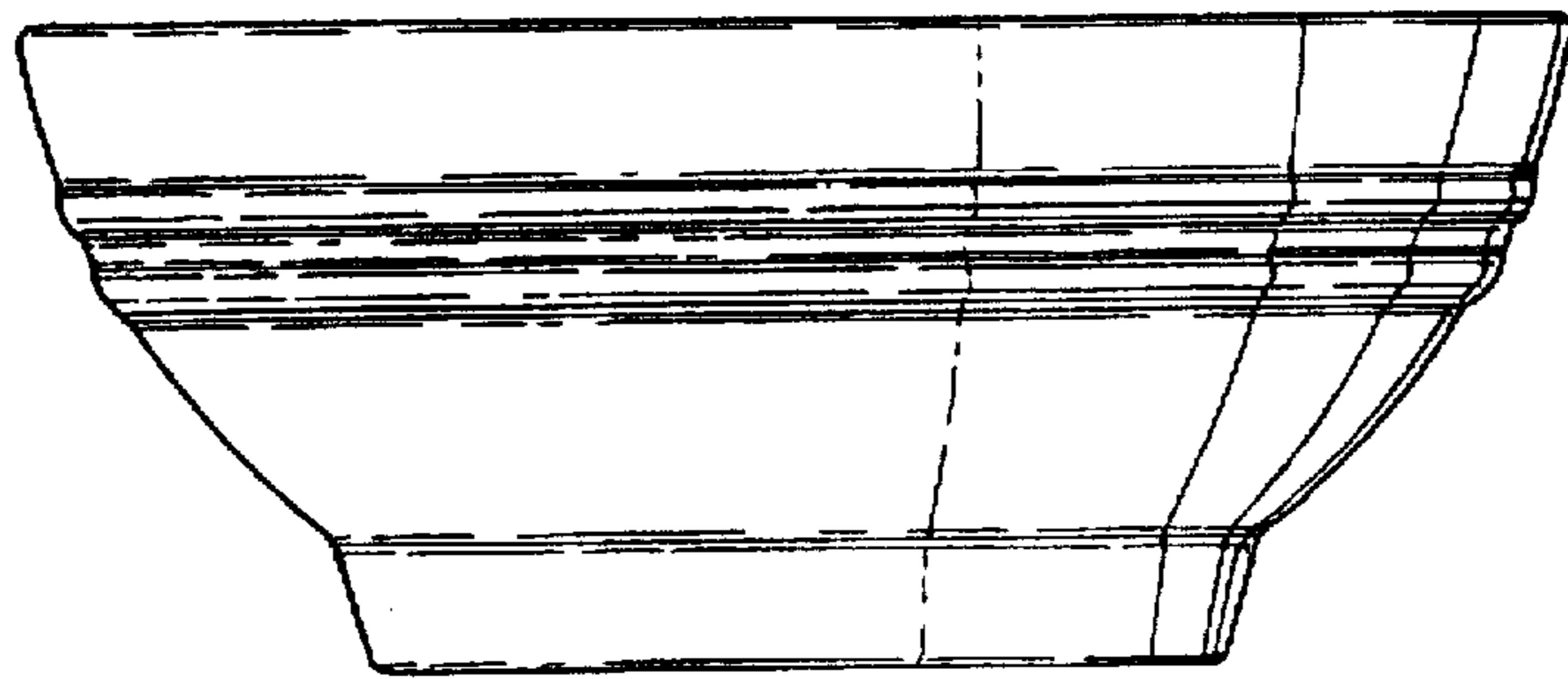


FIG 2

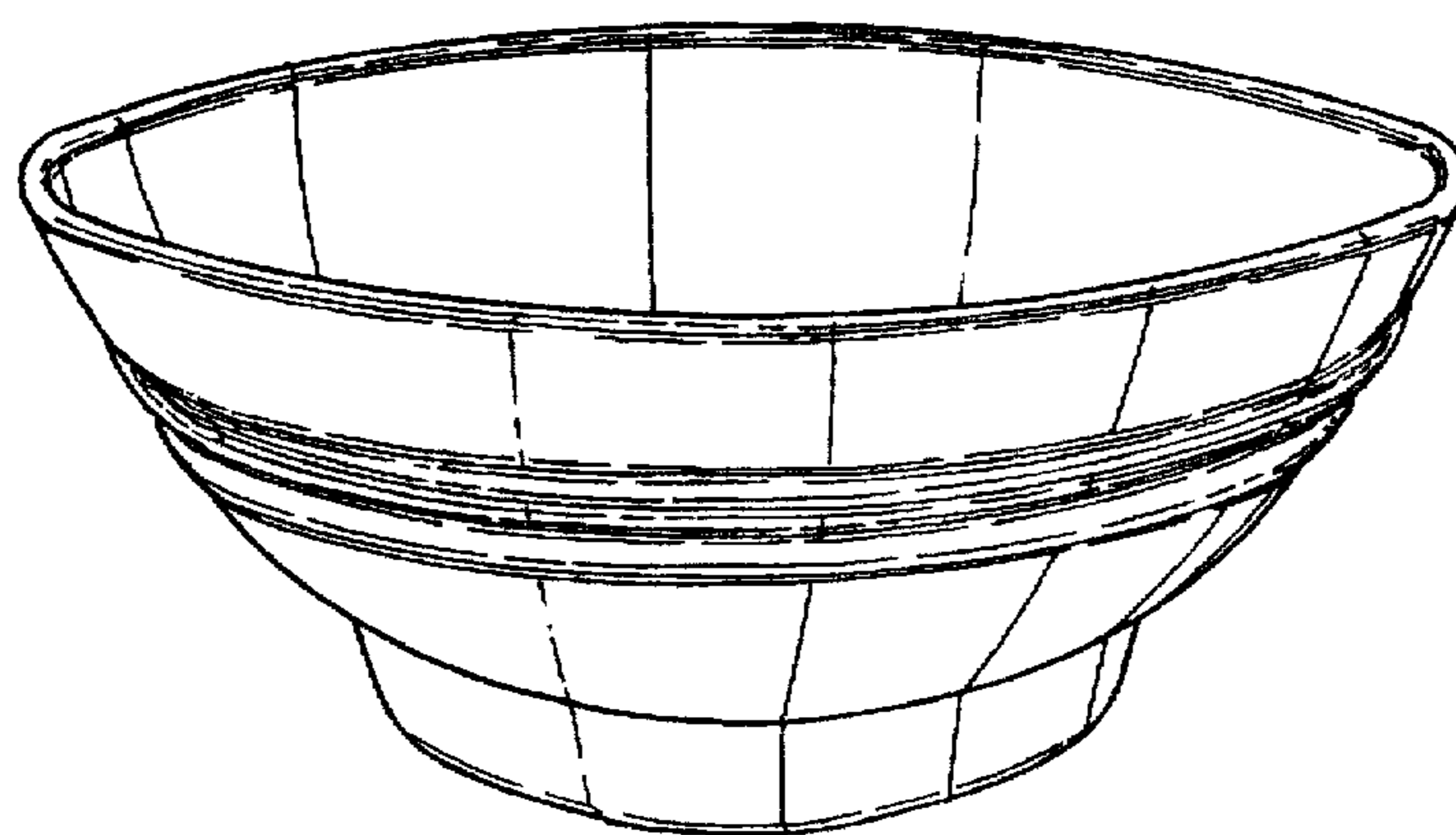


FIG 3