

US00D393816S

United States Patent [19]

Conner

[11] Patent Number: **Des. 393,816**

[45] Date of Patent: ****Apr. 28, 1998**

[54] **TWO-PART FLOWER VASE**

[76] Inventor: **Patricia Conner**, 4419 Roma Ct.,
Marina del Rey, Calif. 90292

[**] Term: **14 Years**

[21] Appl. No.: **69,464**

[22] Filed: **Apr. 2, 1997**

[51] LOC (6) Cl. **11-02**

[52] U.S. Cl. **D11/143; 47/66.1**

[58] Field of Search **D11/143, 144,**
D11/145, 152, 155; 47/65.5, 66.1, 66.3,
67, 41.01; 220/23.4; 206/423

[56] **References Cited**

U.S. PATENT DOCUMENTS

D. 60,174	1/1922	Saito	256/31
D. 226,279	2/1973	Byerly	D11/148
D. 278,521	4/1985	Baird et al.	D11/153
D. 382,511	8/1997	Azarian	D11/143
585,486	6/1897	Snow	47/41.01
949,452	2/1910	Smith	47/41.01
1,499,473	7/1924	Price	47/67

1,683,271	9/1928	Thompson et al.	47/71
2,813,619	11/1957	Gerowin	206/423
3,747,268	7/1973	Linder	47/67
4,708,256	11/1987	Intardonato	220/23.4
4,847,741	7/1989	Boettinger	362/431

Primary Examiner—Caron D. Veynar
Attorney, Agent, or Firm—Oppenheimer Poms Smith

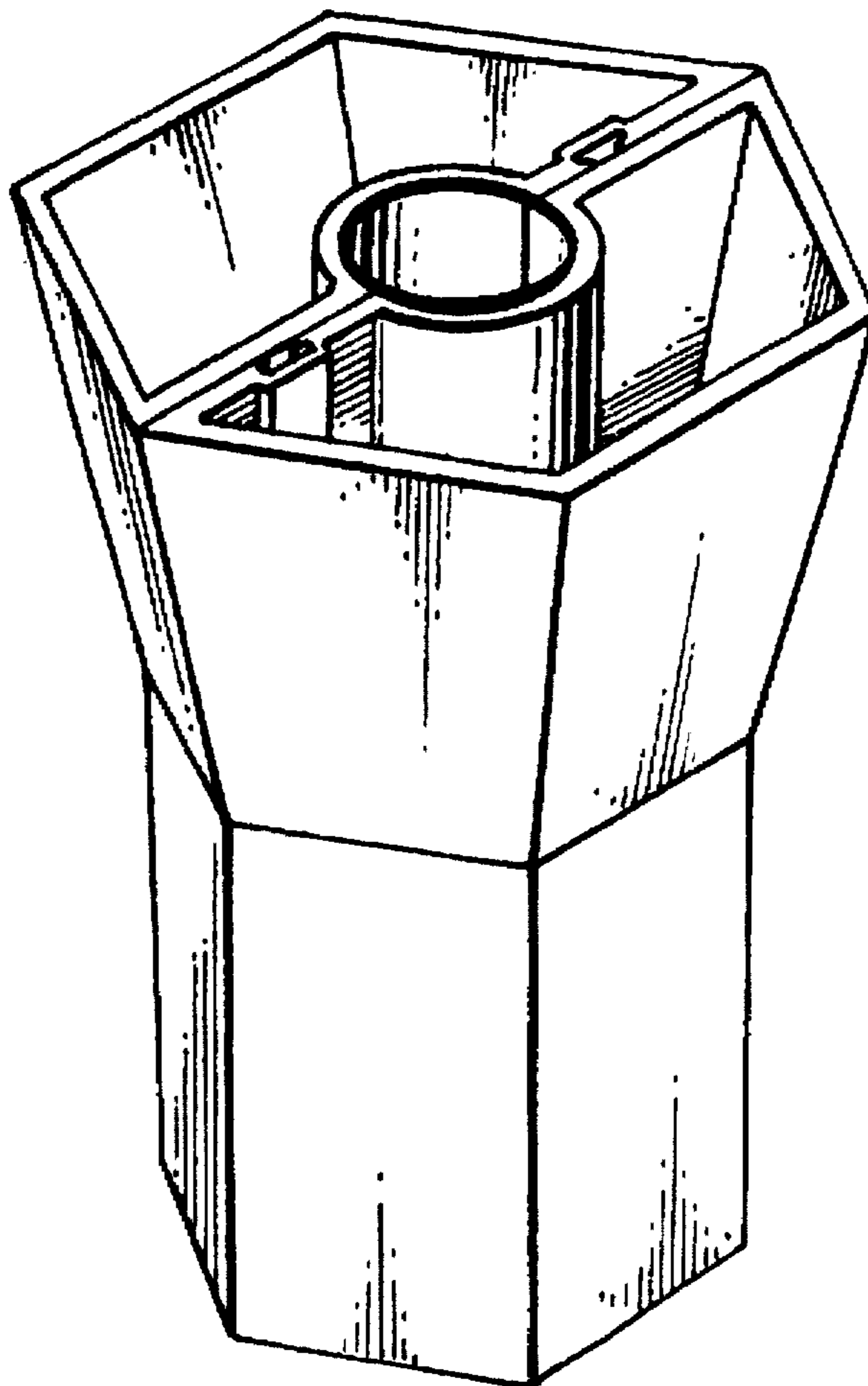
[57] **CLAIM**

The ornamental design for a two-part flower vase, as shown and described.

DESCRIPTION

FIG. 1 is a front perspective view of a design for a two-part flower vase showing my new design;
FIG. 2 is an exploded perspective view thereof;
FIG. 3 is a top plan view thereof;
FIG. 4 is a rear elevational view, the front elevational view being a mirror image thereof;
FIG. 5 is a right side elevational view, the left side elevational view being a mirror image thereof; and,
FIG. 6 is a bottom plan view thereof.

1 Claim, 2 Drawing Sheets



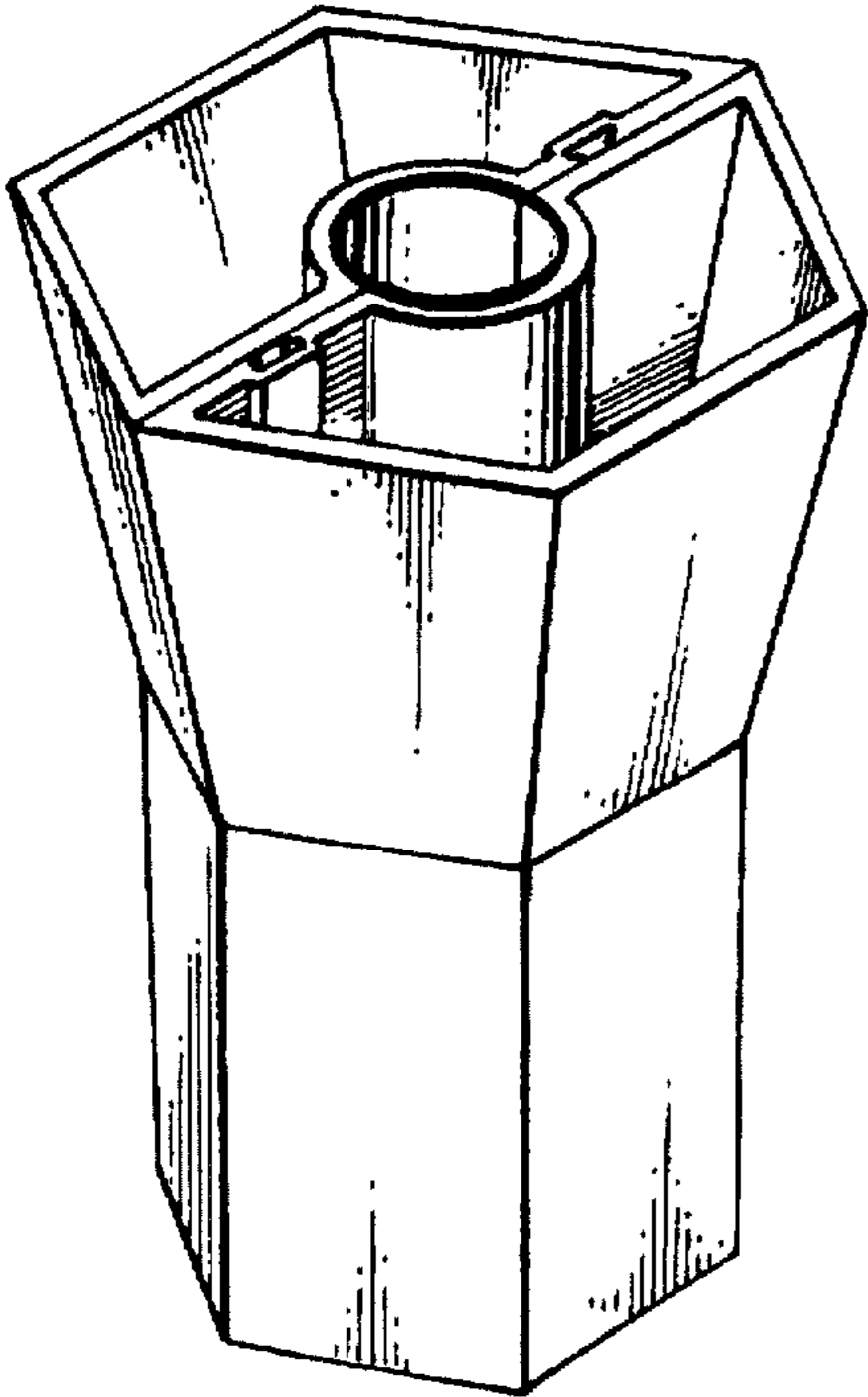


Fig. 1.

Fig. 2.

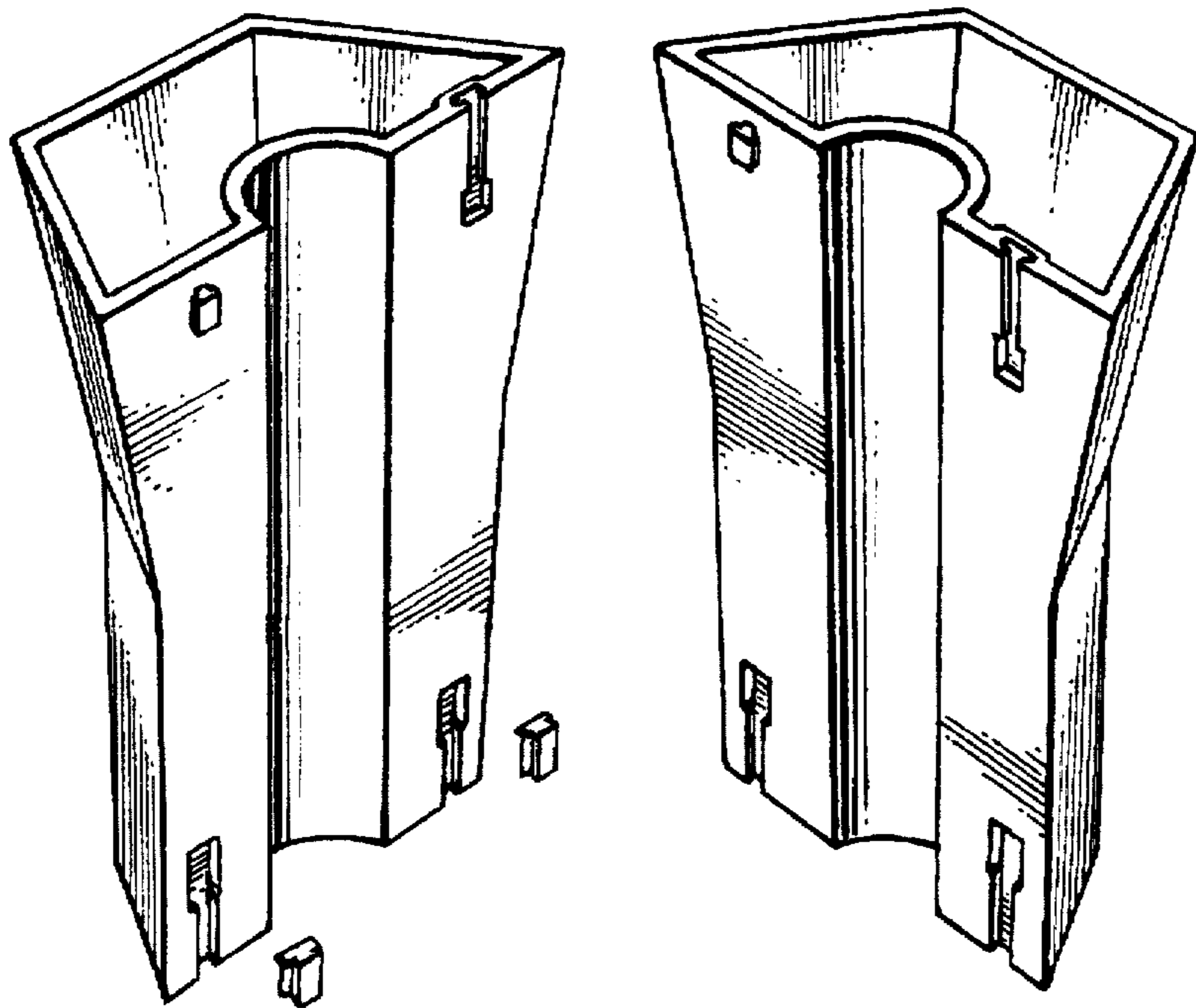


Fig. 3.

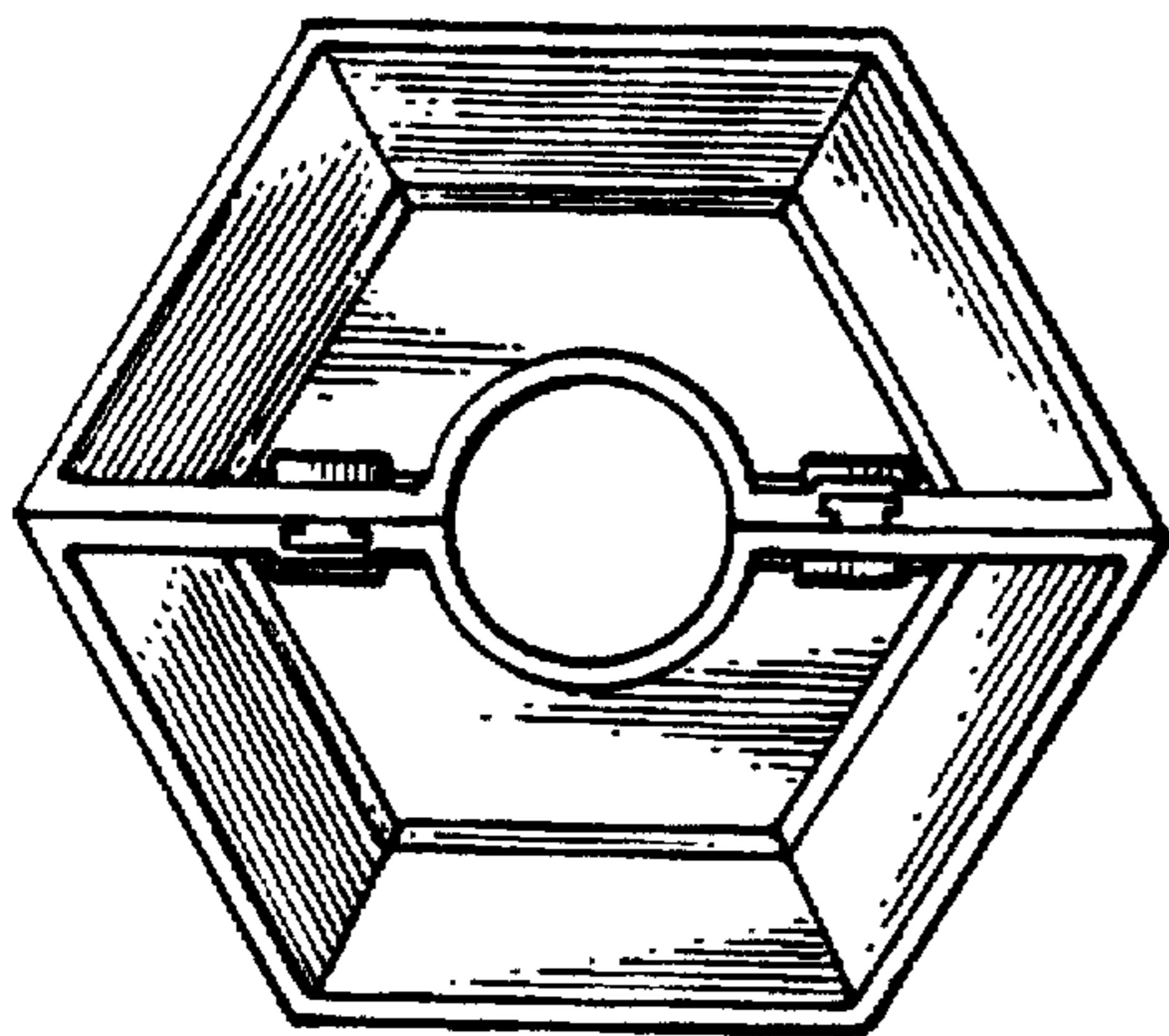


Fig. 6.

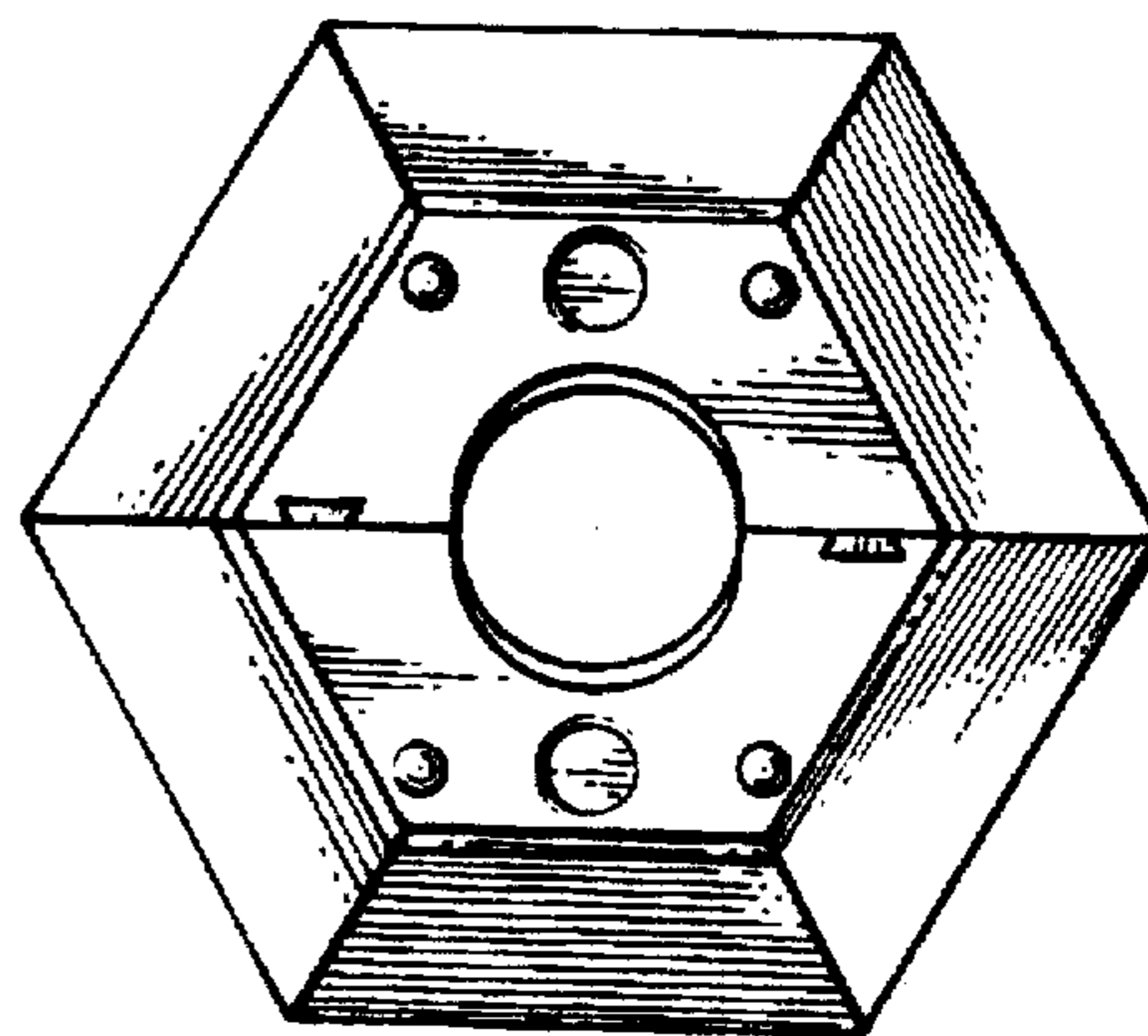


Fig. 4.

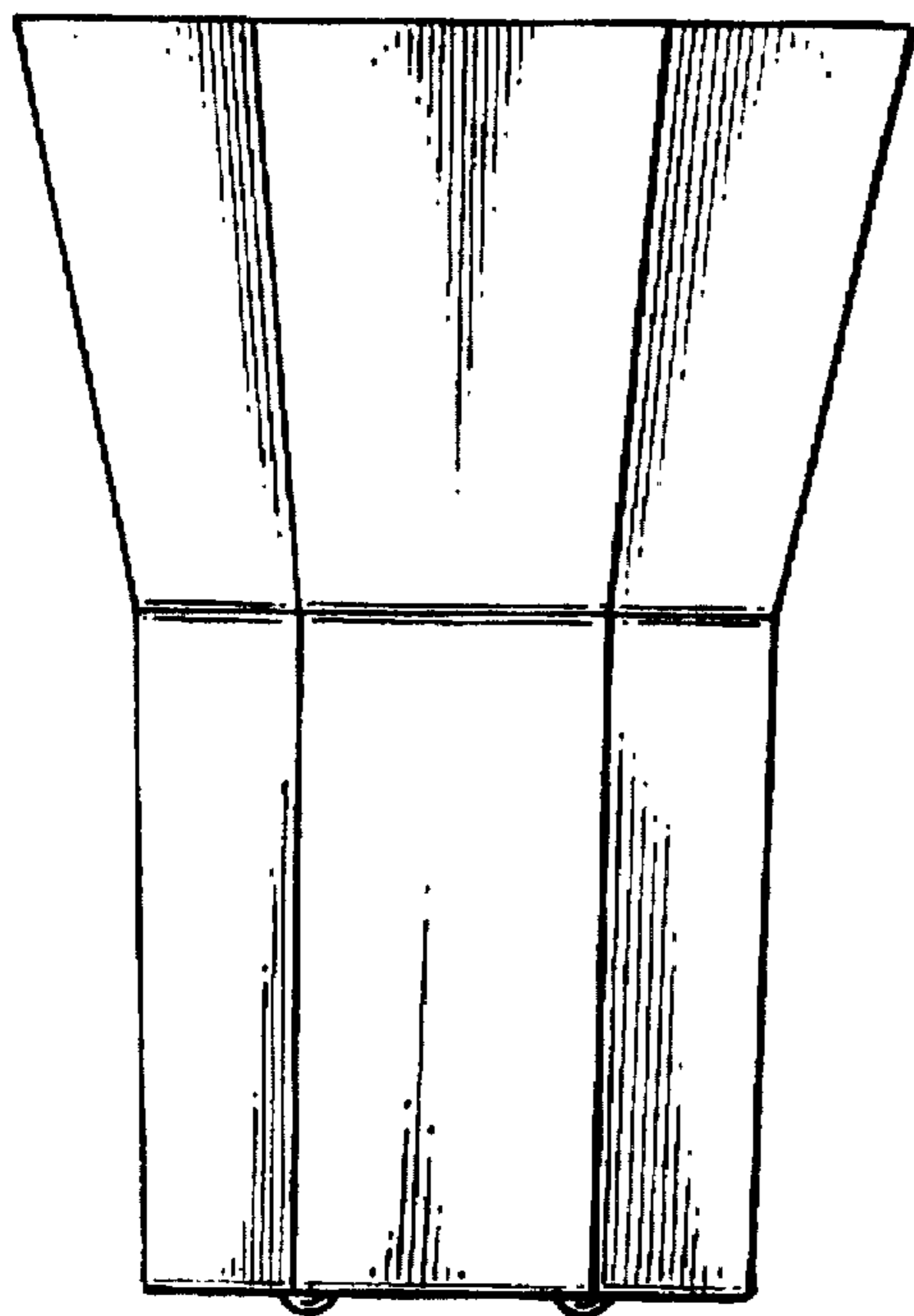


Fig. 5.

