

US00D393810S

United States Patent [19]

Richardson

[11] Patent Number: Des. 393,810

[45] Date of Patent: **Apr. 28, 1998

[54] SLIDEABLE CHAMBERED TURKEY CALL

[76] Inventor: Max E. Richardson, 515 Woodslope Cir., Kodak, Tenn. 37764

[**] Term: 14 Years

[21] Appl. No.: 63,542

[22] Filed: Dec. 10, 1996

[51] LOC (6) Cl. 10-05

[52] U.S. Cl. D10/119

[58] Field of Search D10/104, 116, 118, 119, 120; 446/200, 201, 202, 203, 204, 205, 206, 207, 208, 209, 210

[56] References Cited

U.S. PATENT DOCUMENTS

- D. 279,461 7/1985 Lafreniere et al. D10/119
- D. 313,768 1/1991 White, Jr. D10/119
- D. 347,399 5/1994 White, Jr. D10/116
- D. 360,160 7/1995 Morningstar D10/119

Primary Examiner—Marcus A. Jackson
Attorney, Agent, or Firm—M. Alex Brown, Patent Attorney

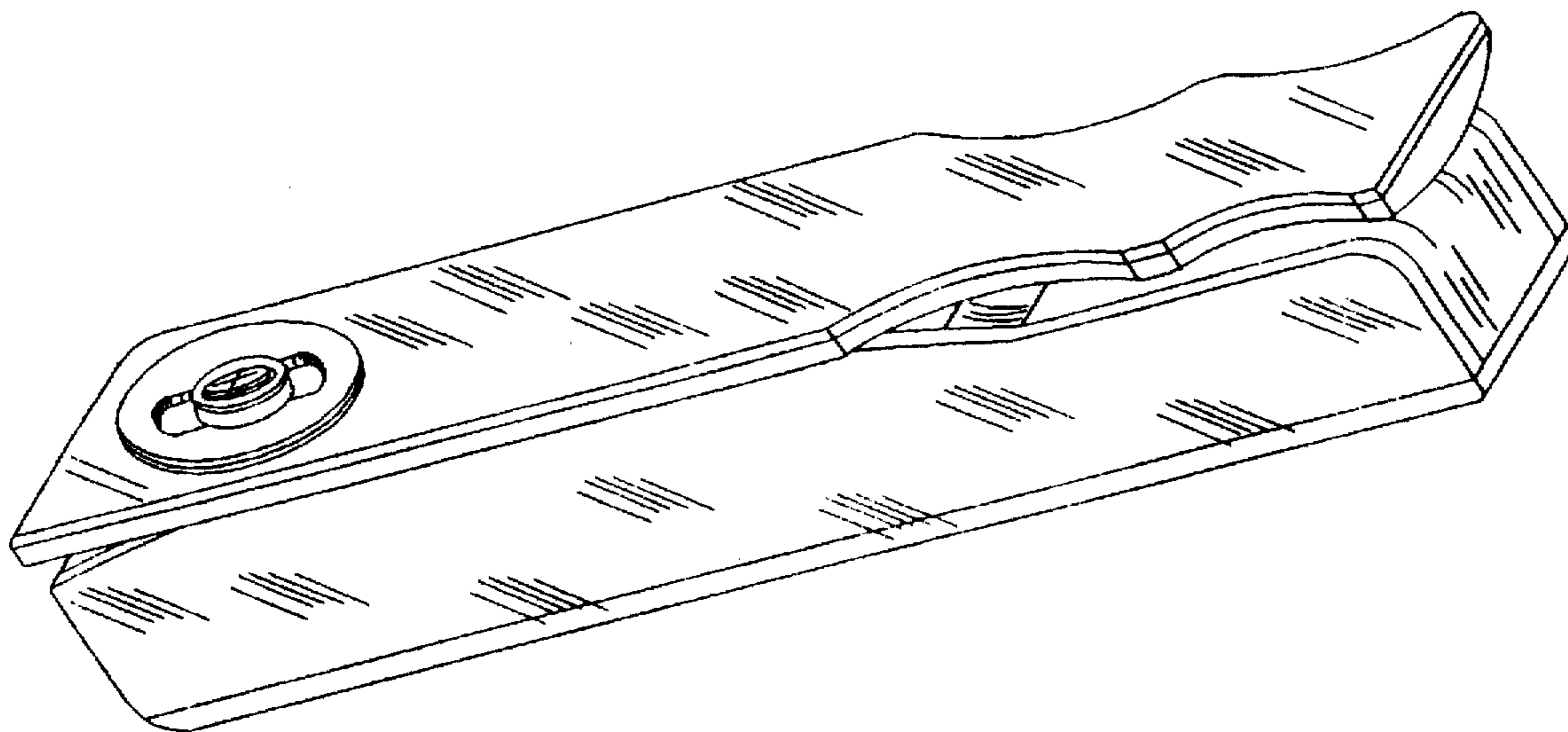
[57] CLAIM

The ornamental design for a slideable, chambered turkey call, as shown and described.

DESCRIPTION

FIG. 1 is a perspective view of a slideable, chambered turkey call showing my new design;
 FIG. 2 is a right side view of FIG. 1, the left side being a mirror image of that shown;
 FIG. 3 is a top view of FIG. 1;
 FIG. 4 is a bottom view of FIG. 1;
 FIG. 5 is a front view of FIG. 1;
 FIG. 6 is a back view of FIG. 1;
 FIG. 7 is an enlarged scale, exploded, cross-sectional view taken along line 7/8—7/8 of FIG. 2;
 FIG. 8 is an enlarged scale, assembled, sectional view taken along line 7/8—7/8 of FIG. 2, in a further enlarged scale than FIG. 7; for clarity;
 FIG. 9 is a perspective view of FIG. 1, showing the striker paddle of the present turkey call in a first slideable position;
 FIG. 10 is a perspective view of FIG. 1, showing the striker paddle of the present turkey call in a second slideable position;
 FIG. 11 is an exploded perspective view of FIG. 1, showing an elliptically channeled disk member of the present turkey call in a first rotated position; and,
 FIG. 12 is a perspective view of FIG. 1, showing an elliptically channeled disk member of the present turkey call in a second rotated position and the striker paddle in a third slideable position.
 The views in FIGS. 7 and 8 are shown in enlarged scale for clarity.

1 Claim, 6 Drawing Sheets



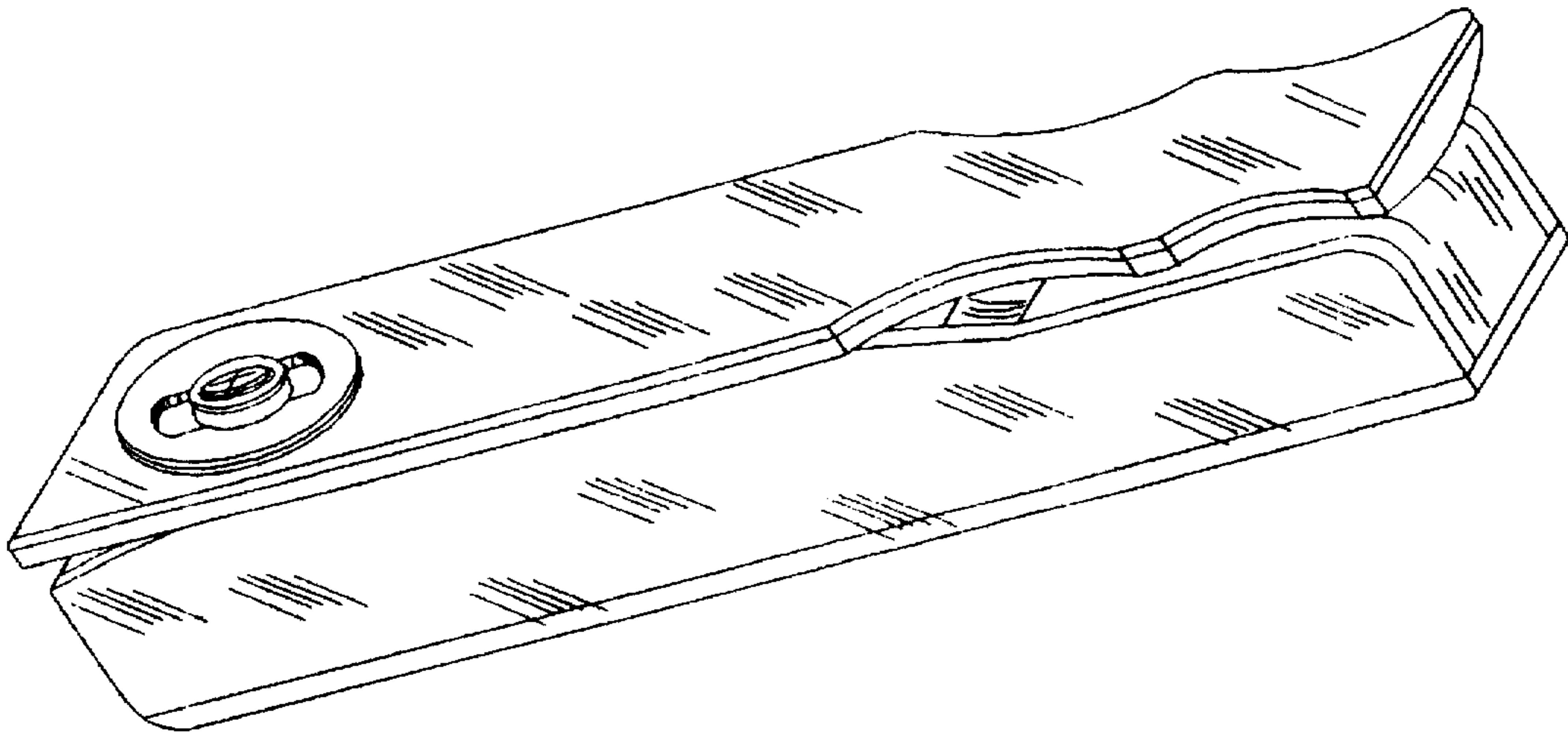


FIG. 1

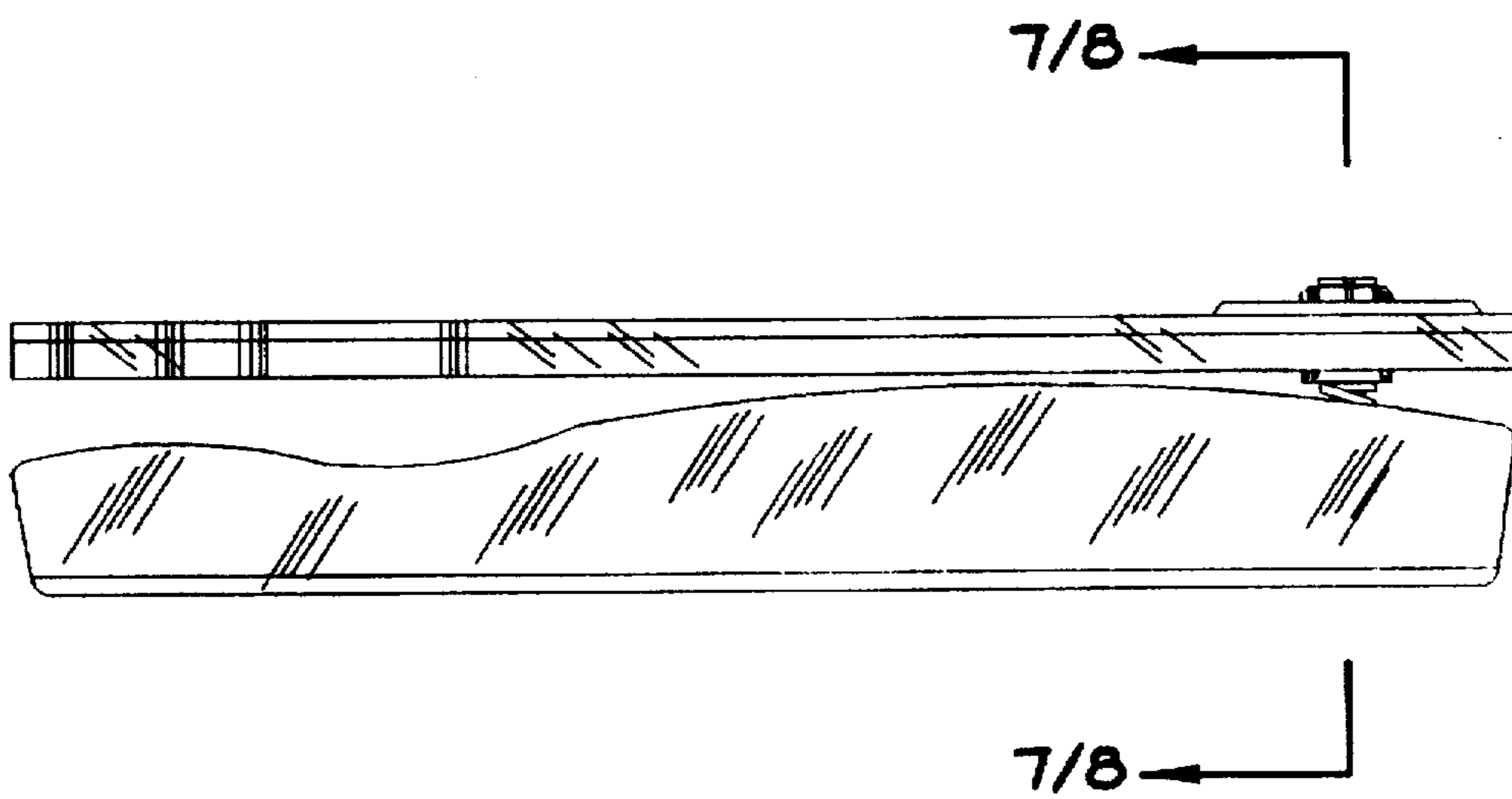


FIG. 2

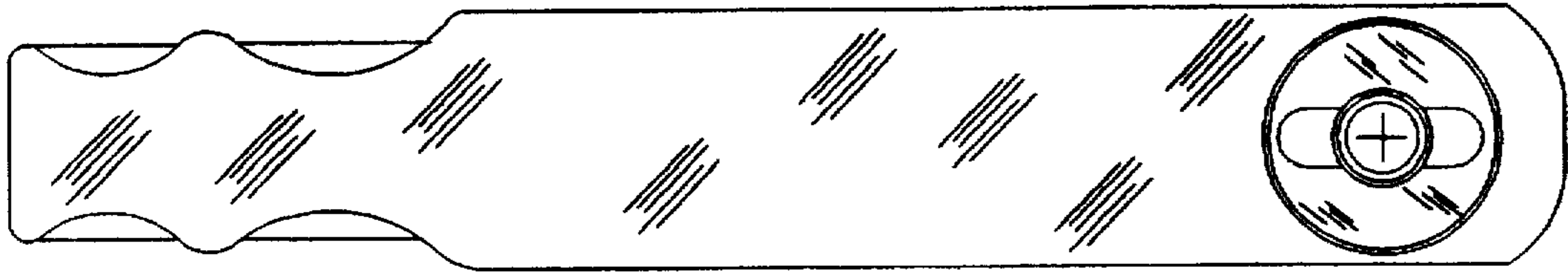


FIG. 3

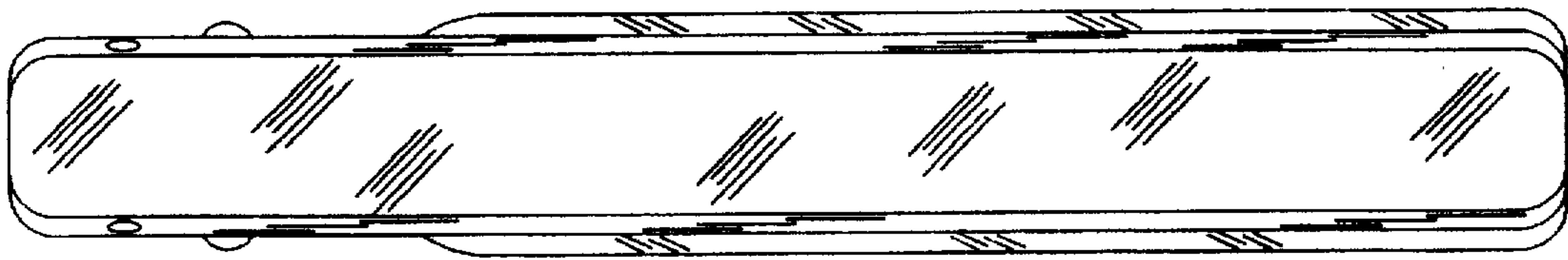


FIG. 4

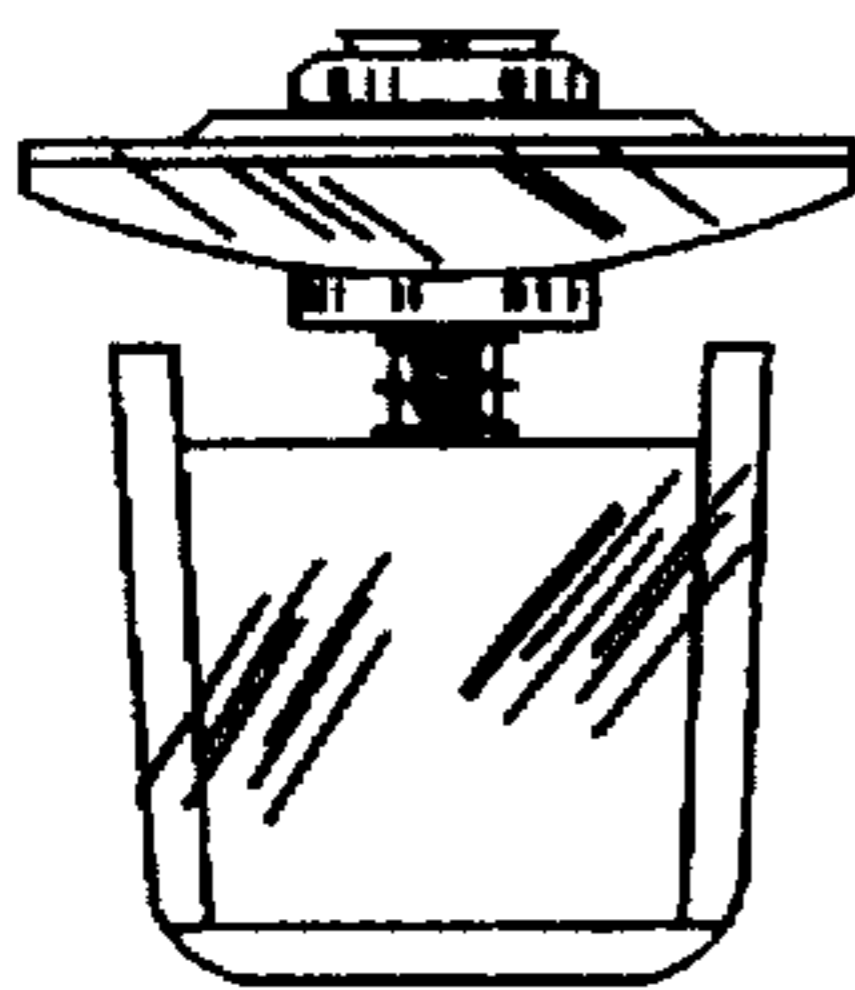


FIG. 5

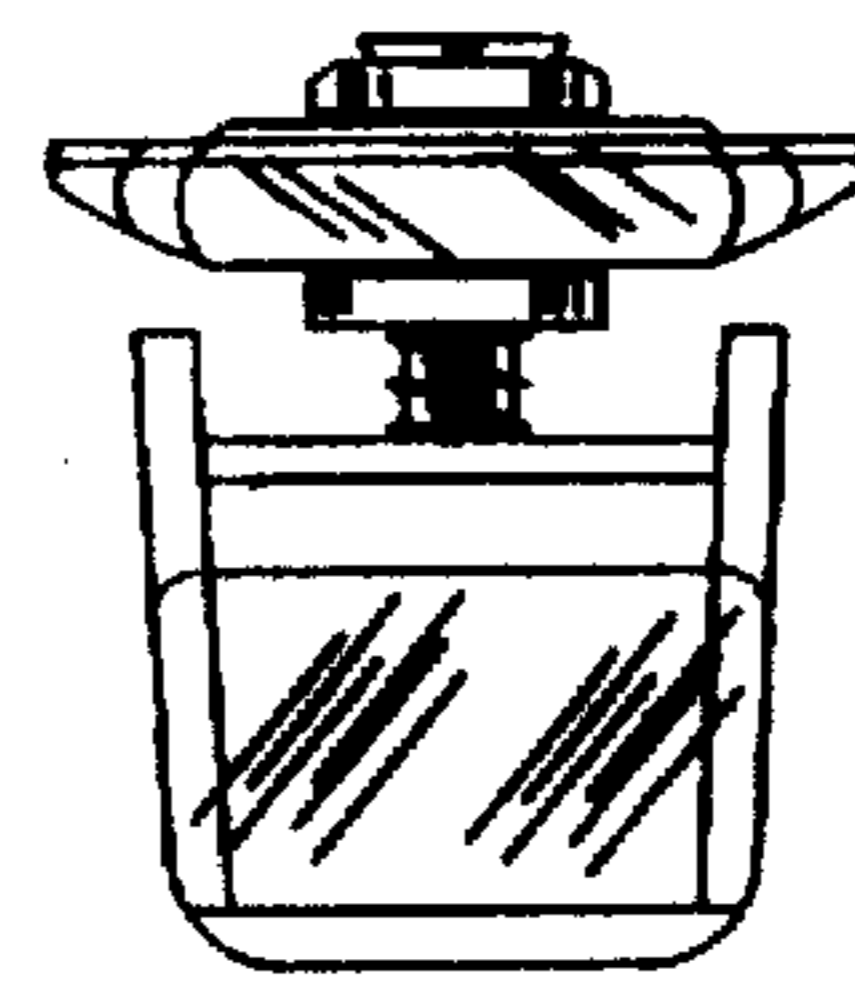


FIG. 6

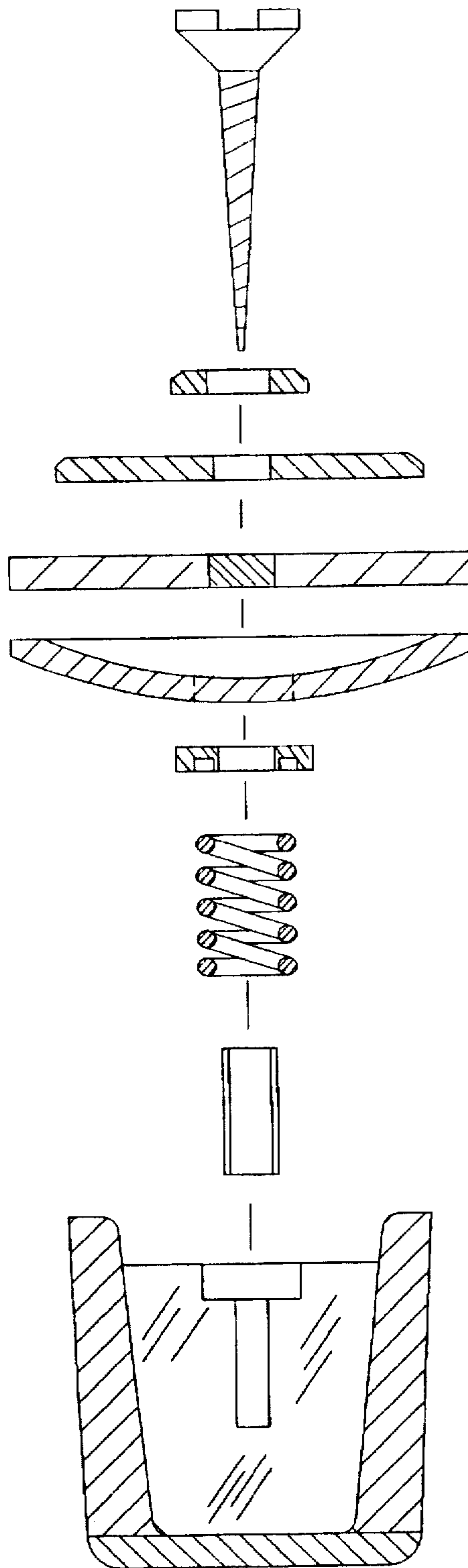


FIG. 7

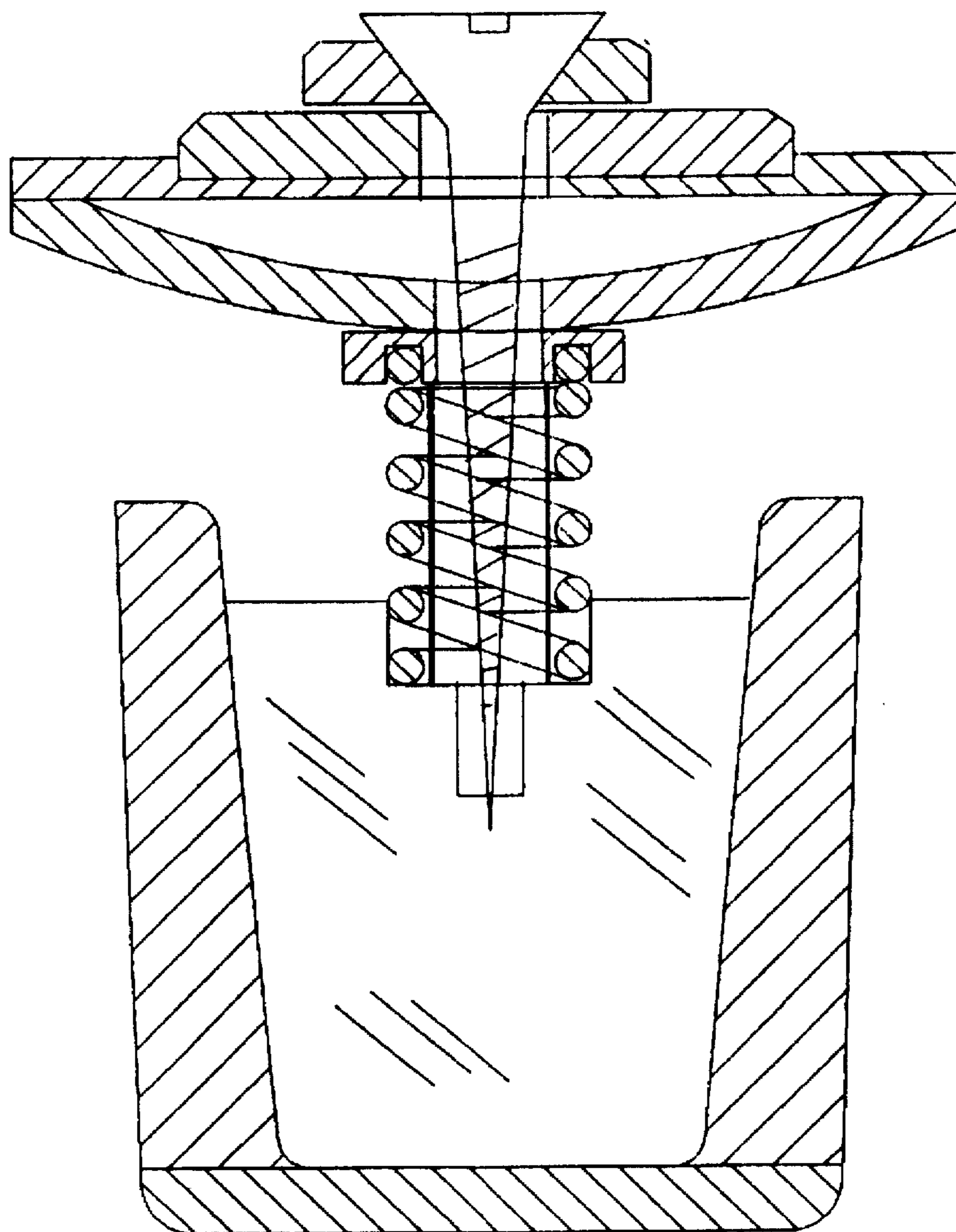


FIG. 8

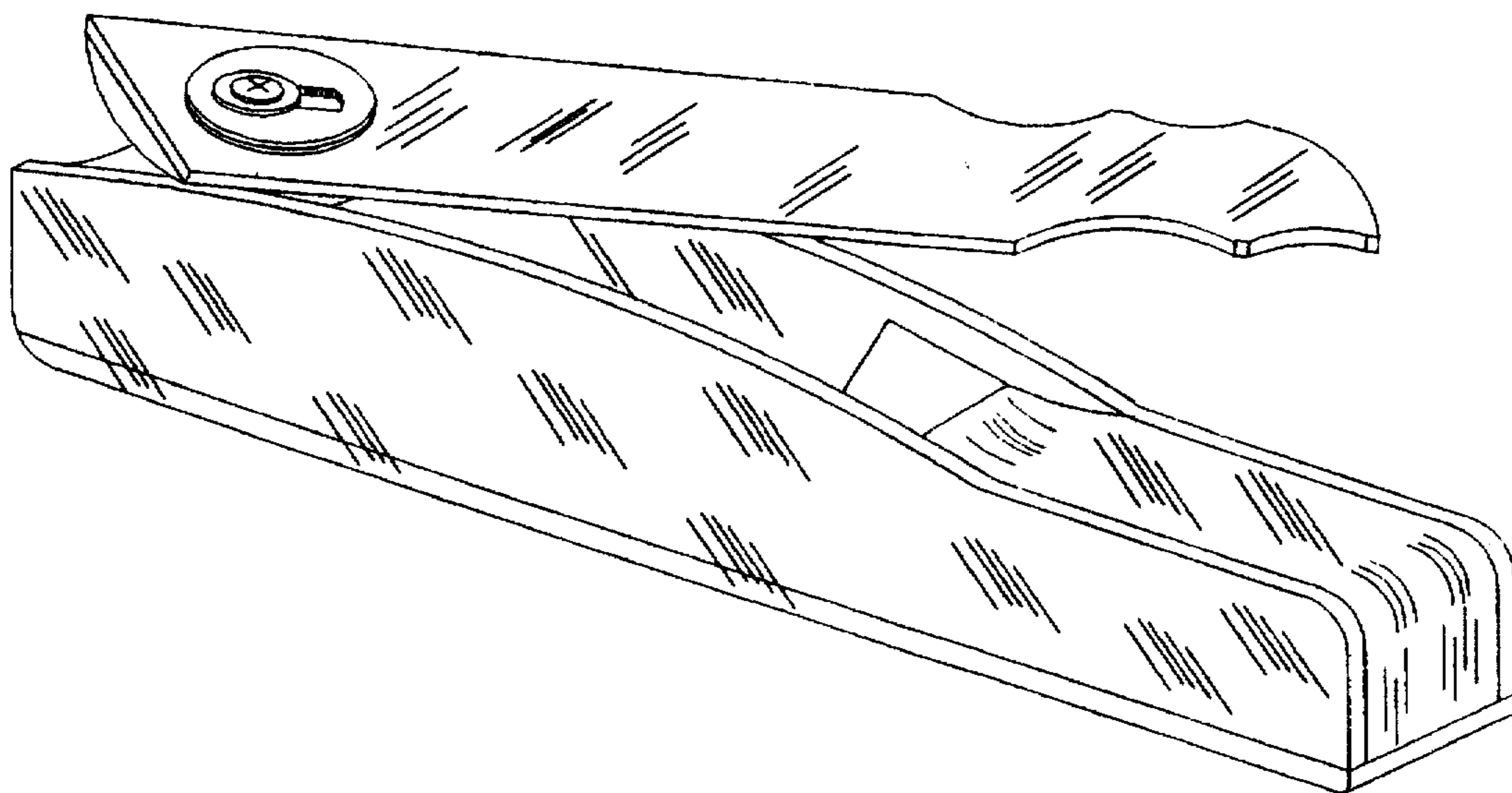


FIG. 9

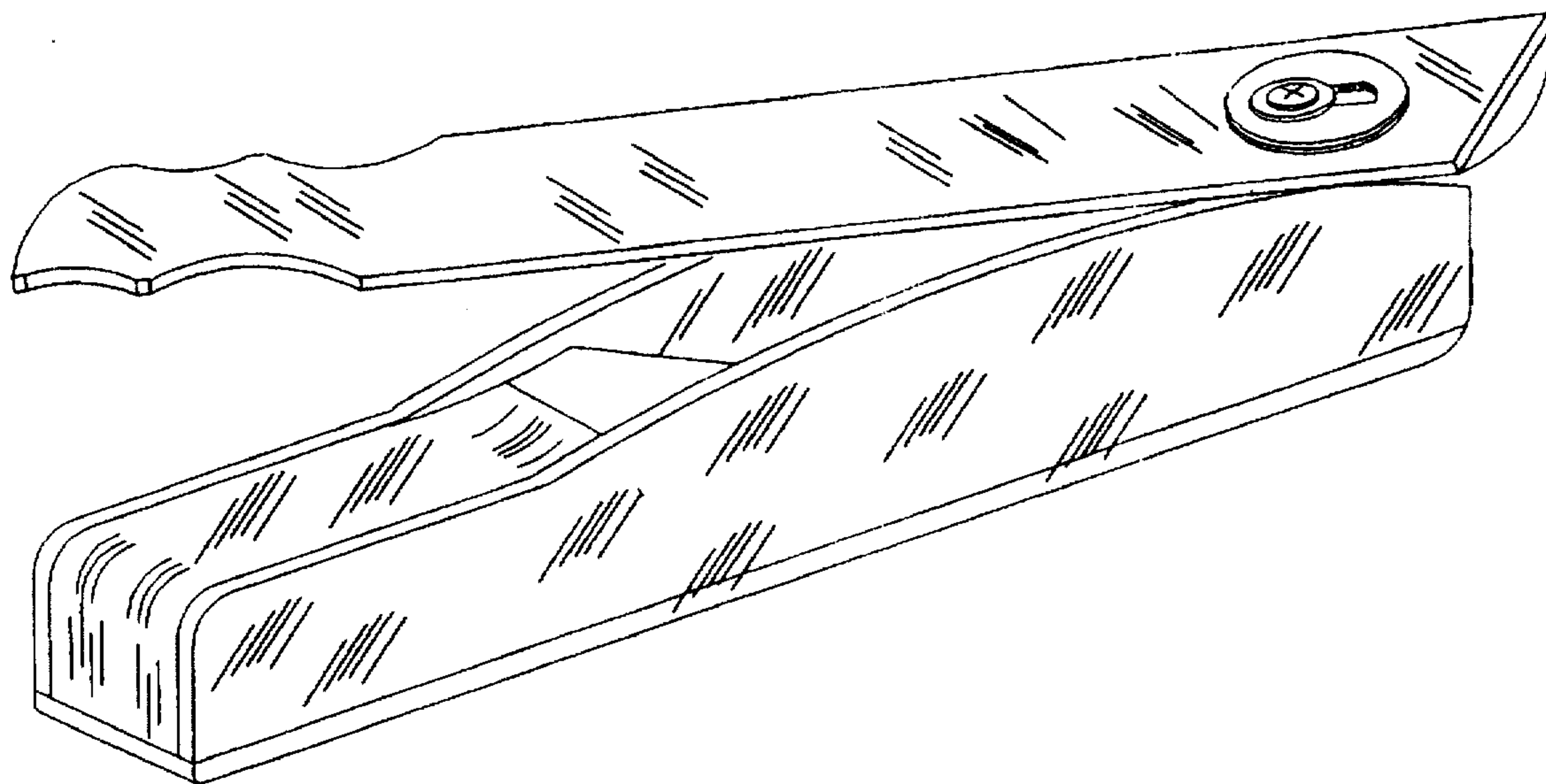


FIG. 10

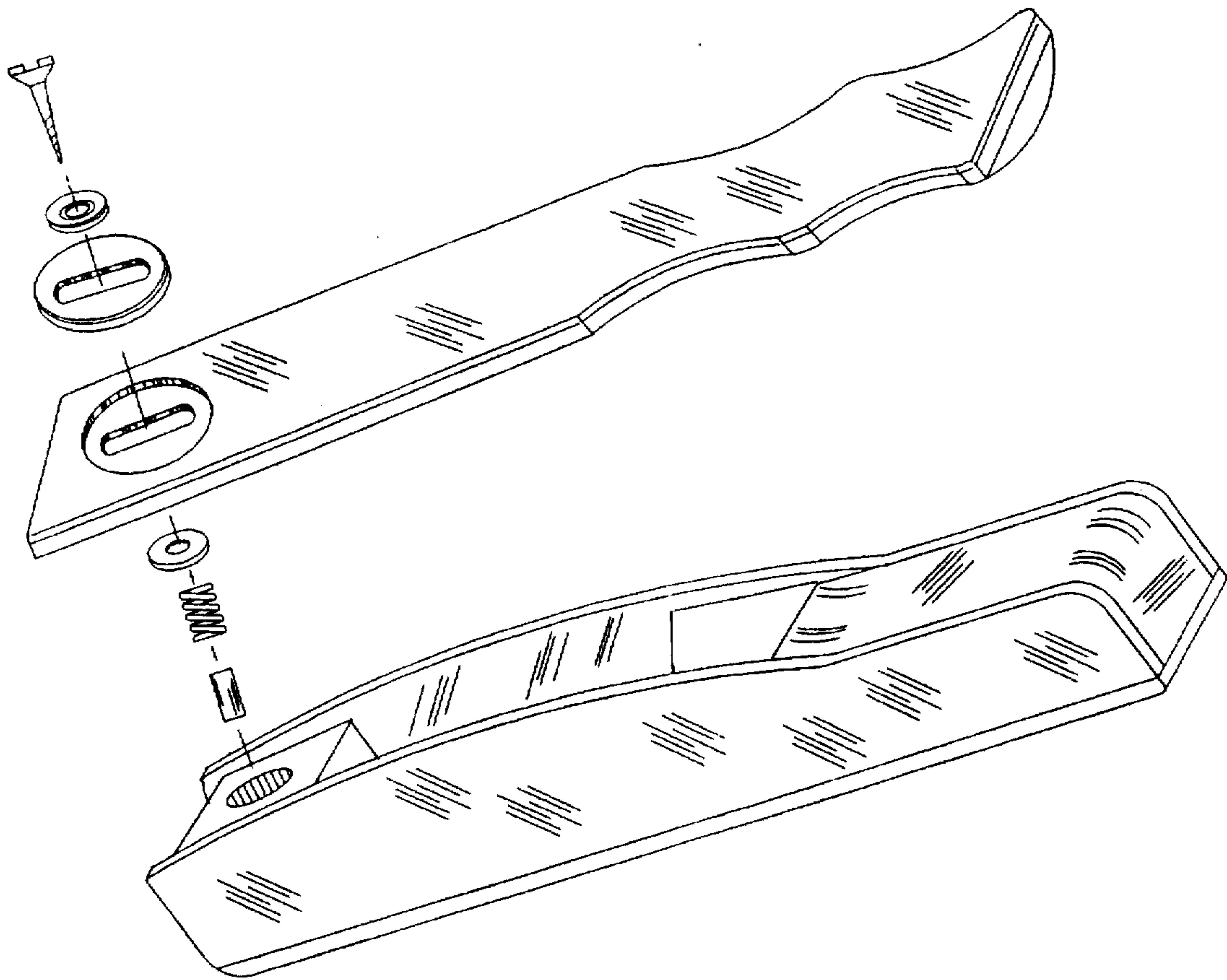


FIG. 11

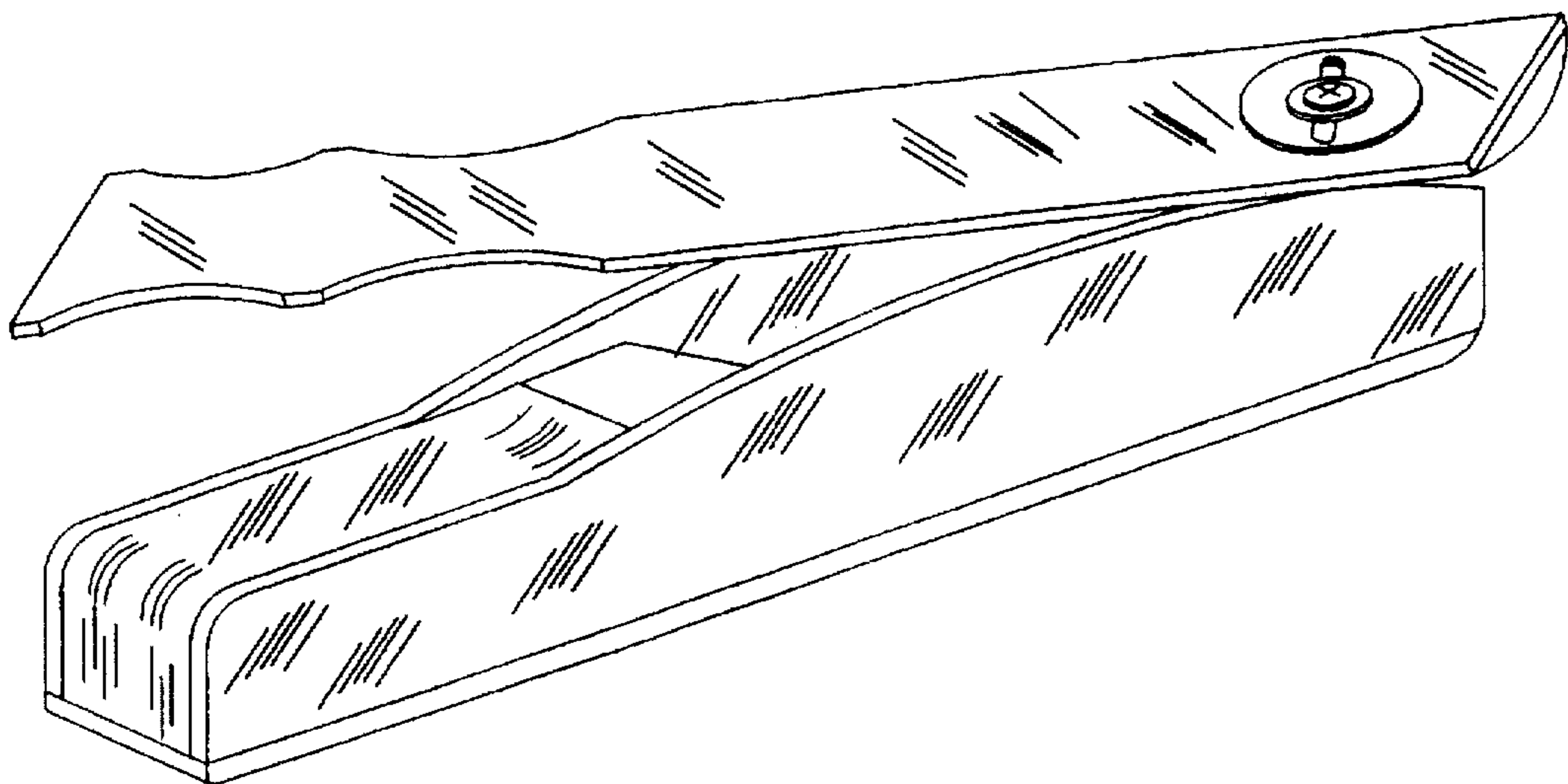


FIG. 12