



US00D393809S

United States Patent [19]
Thornton

[11] **Patent Number: Des. 393,809**
[45] **Date of Patent: **Apr. 28, 1998**

[54] **DINNER BELL**
[75] **Inventor: Michael L. Thornton, Gold Bar, Wash.**
[73] **Assignee: The Mountain Forge, Inc., Gold Bar, Wash.**
[**] **Term: 14 Years**
[21] **Appl. No.: 70,736**
[22] **Filed: Apr. 8, 1997**

D. 173,642 12/1954 Crowson D10/116
D. 343,805 2/1994 Bor-Yona D10/116
D. 347,192 5/1994 Konichak D10/116
D. 352,011 11/1994 Birtciel D10/116
5,402,700 4/1995 Cohen D10/116

Primary Examiner—Marcus A. Jackson

[57] **CLAIM**

The ornamental design for a dinner bell, as shown and described.

DESCRIPTION

FIG. 1 is a front view;
FIG. 2 is a side view, with the opposite side being a mirror image;
FIG. 3 is a rear view; and,
FIG. 4 is a perspective view.

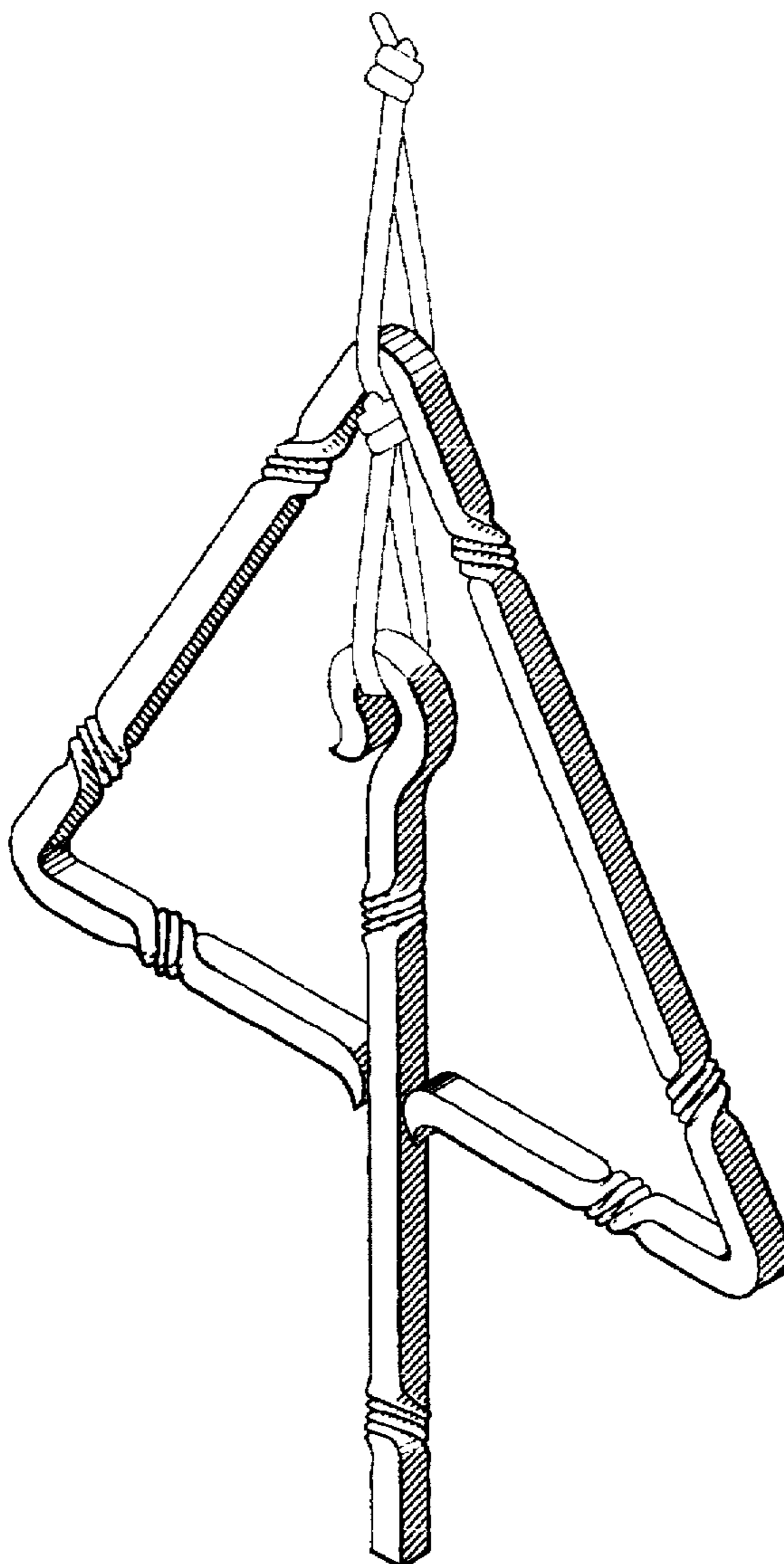
[51] **LOC (6) Cl.** **10-05**
[52] **U.S. Cl.** **D10/116**
[58] **Field of Search** D10/104, 106,
D10/116, 117, 118; 116/148, 170, 171,
172; 340/392, 393, 395, 398; D11/141

[56] **References Cited**

U.S. PATENT DOCUMENTS

D. 137,664 4/1944 Brown D10/116

1 Claim, 3 Drawing Sheets



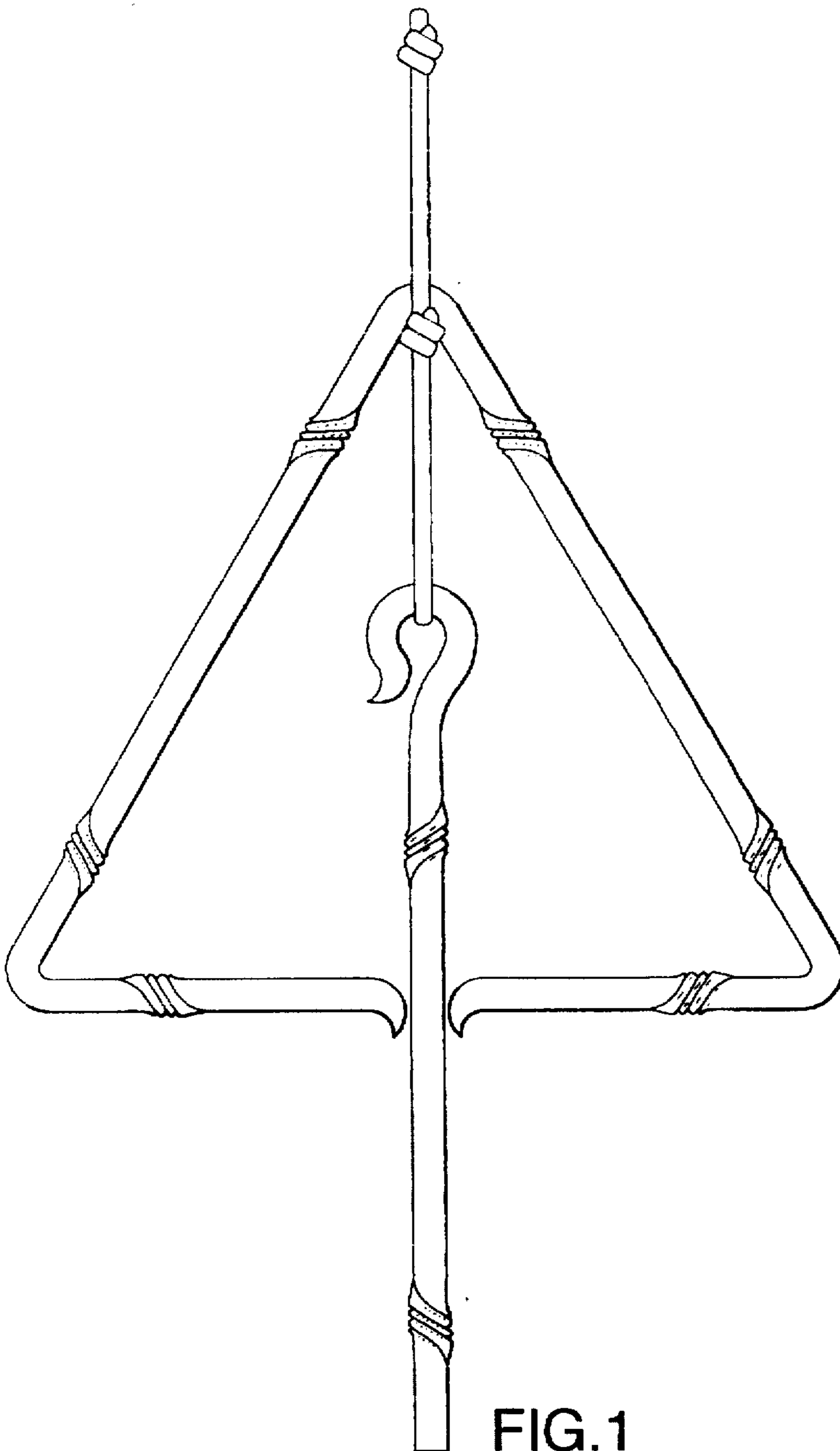


FIG. 1



FIG. 2

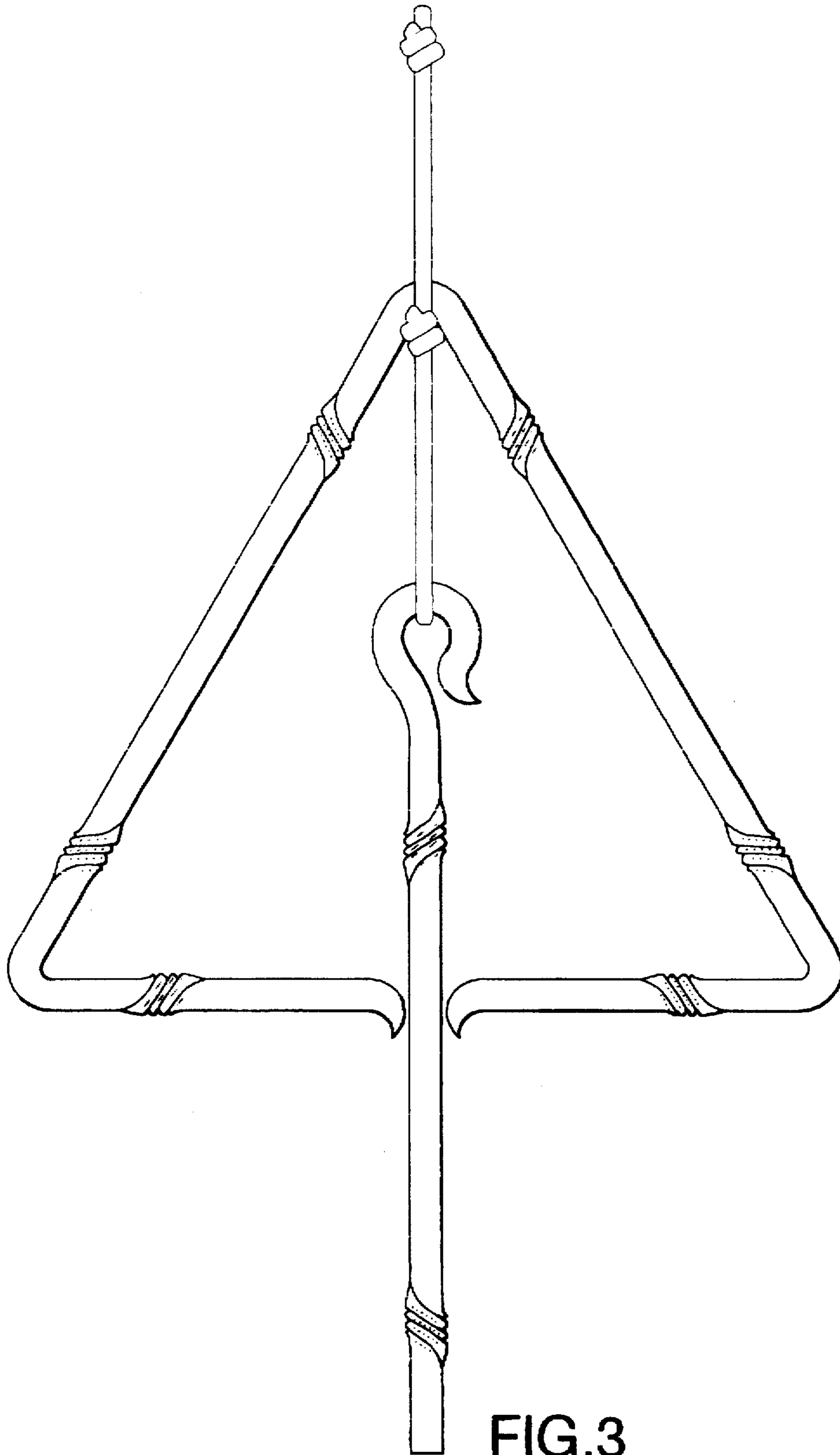


FIG. 3

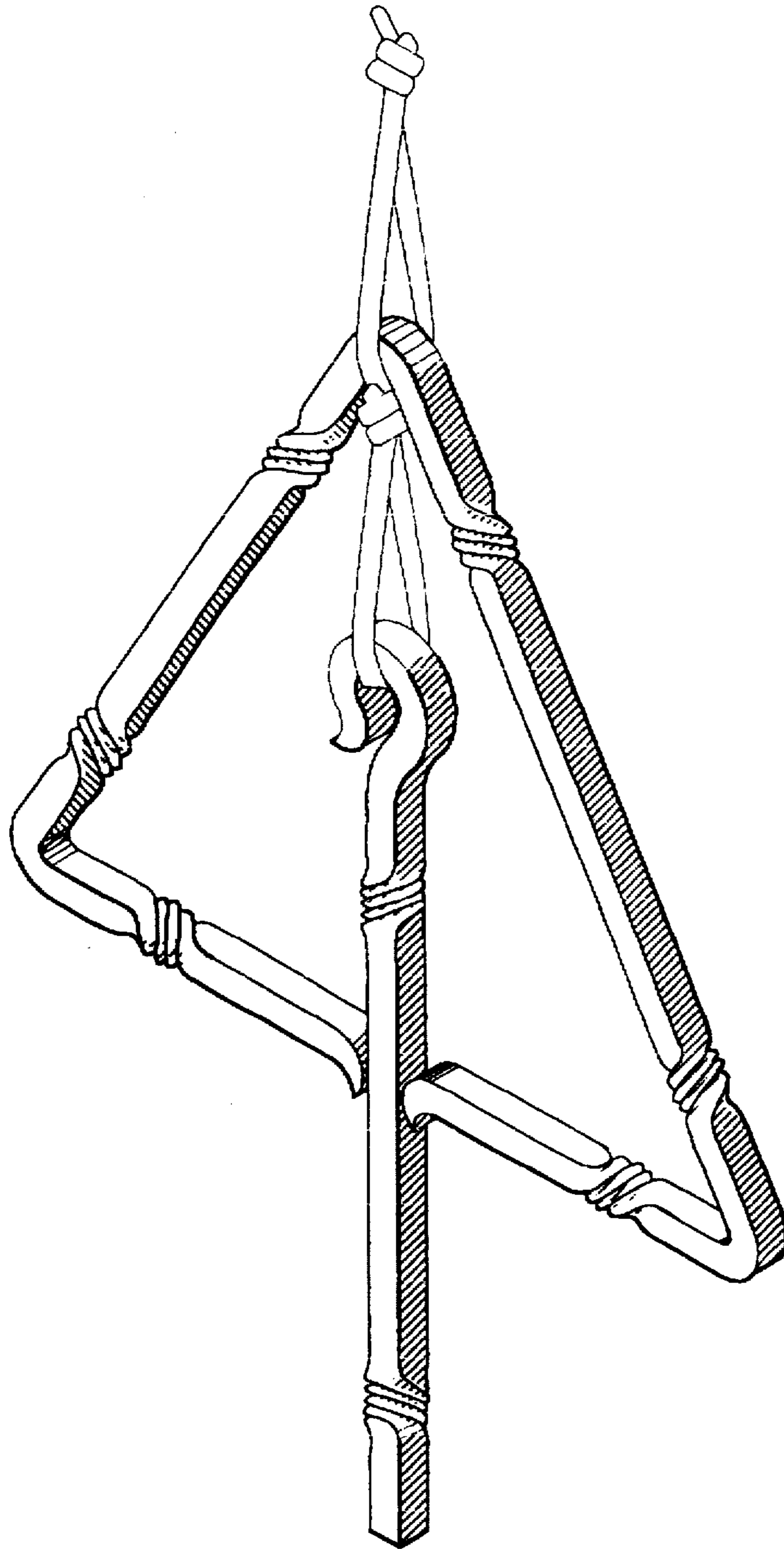


FIG. 4