



US00D393797S

United States Patent [19]

Kostigian

[11] **Patent Number: Des. 393,797**

[45] **Date of Patent: **Apr. 28, 1998**

[54] **CARPET HANGER ATTACHMENT CLIP**

[76] **Inventor: John V. Kostigian, 39 Elgin St., S.,
Cambridge Ontario, Canada, N1R 5G3**

[**] **Term: 14 Years**

[21] **Appl. No.: 61,587**

[22] **Filed: Oct. 25, 1996**

[51] **LOC (6) Cl. 08-08**

[52] **U.S. Cl. D8/395; D32/64**

[58] **Field of Search D8/395, 373; D6/328;
211/48; 24/509, 510; 248/214, 227.4, 316.5,
215; D11/215; D32/64; D19/65, 86**

[56] **References Cited**

U.S. PATENT DOCUMENTS

- D. 24,796 10/1895 Sulzner D11/215
- D. 185,794 8/1959 Walsh D8/395
- D. 288,901 3/1987 Zamek D8/395

- D. 307,833 5/1990 Maki D32/64
- D. 315,864 4/1991 Embree et al. D8/395
- 452,582 5/1891 Pilkington 24/510
- 1,393,577 10/1921 Ryason 24/510
- 1,542,208 6/1925 Berger 24/510

Primary Examiner—B. J. Bullock
Attorney, Agent, or Firm—Robert G. Hendry

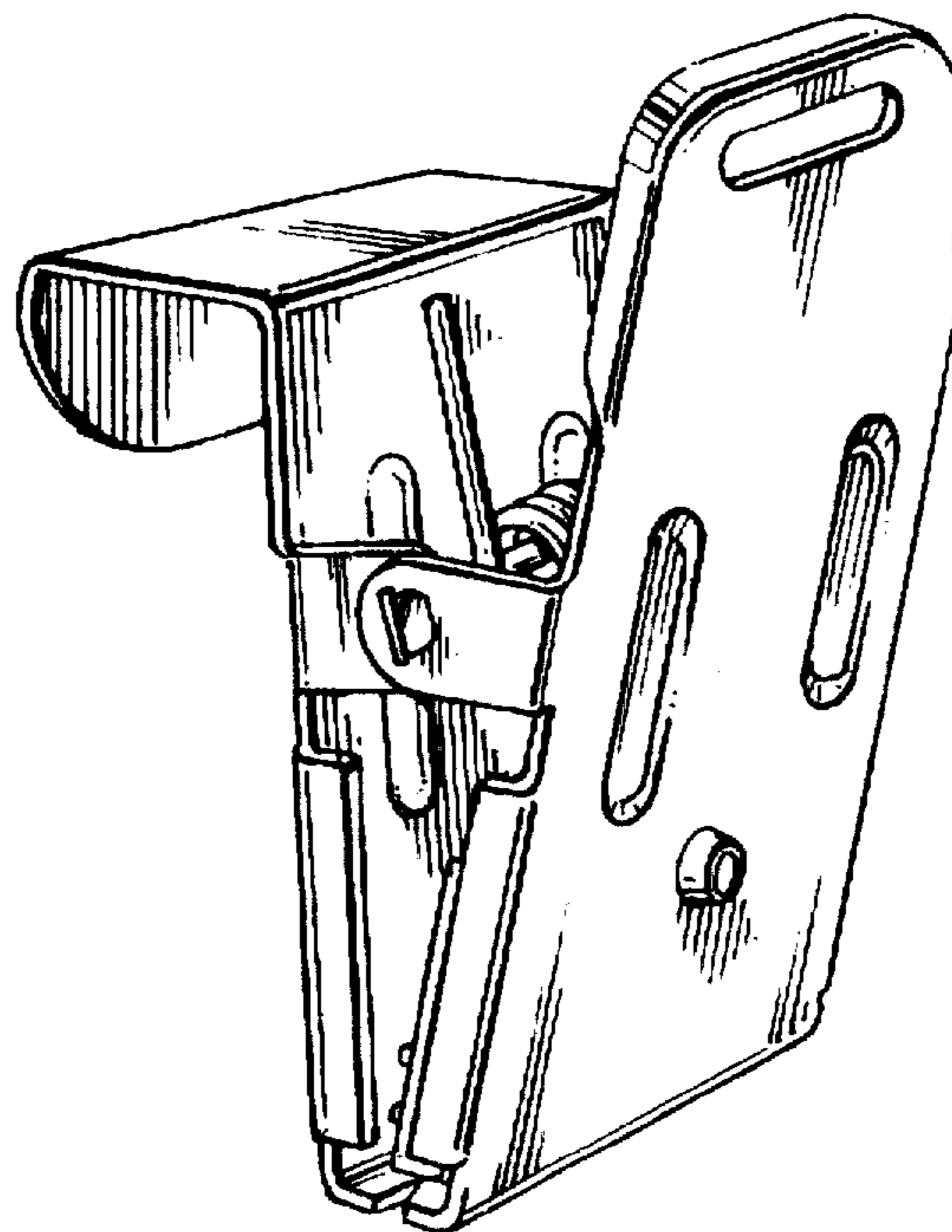
[57] **CLAIM**

The ornamental design for a carpet hanger attachment clip, as shown and described.

DESCRIPTION

FIG. 1 is a perspective view of the clip;
FIG. 2 is a front view of the clip;
FIG. 3 is a rear view of the clip;
FIG. 4 is a side view of the clip;
FIG. 5 is a bottom view of the clip; and,
FIG. 6 is a top view of the clip.

1 Claim, 2 Drawing Sheets



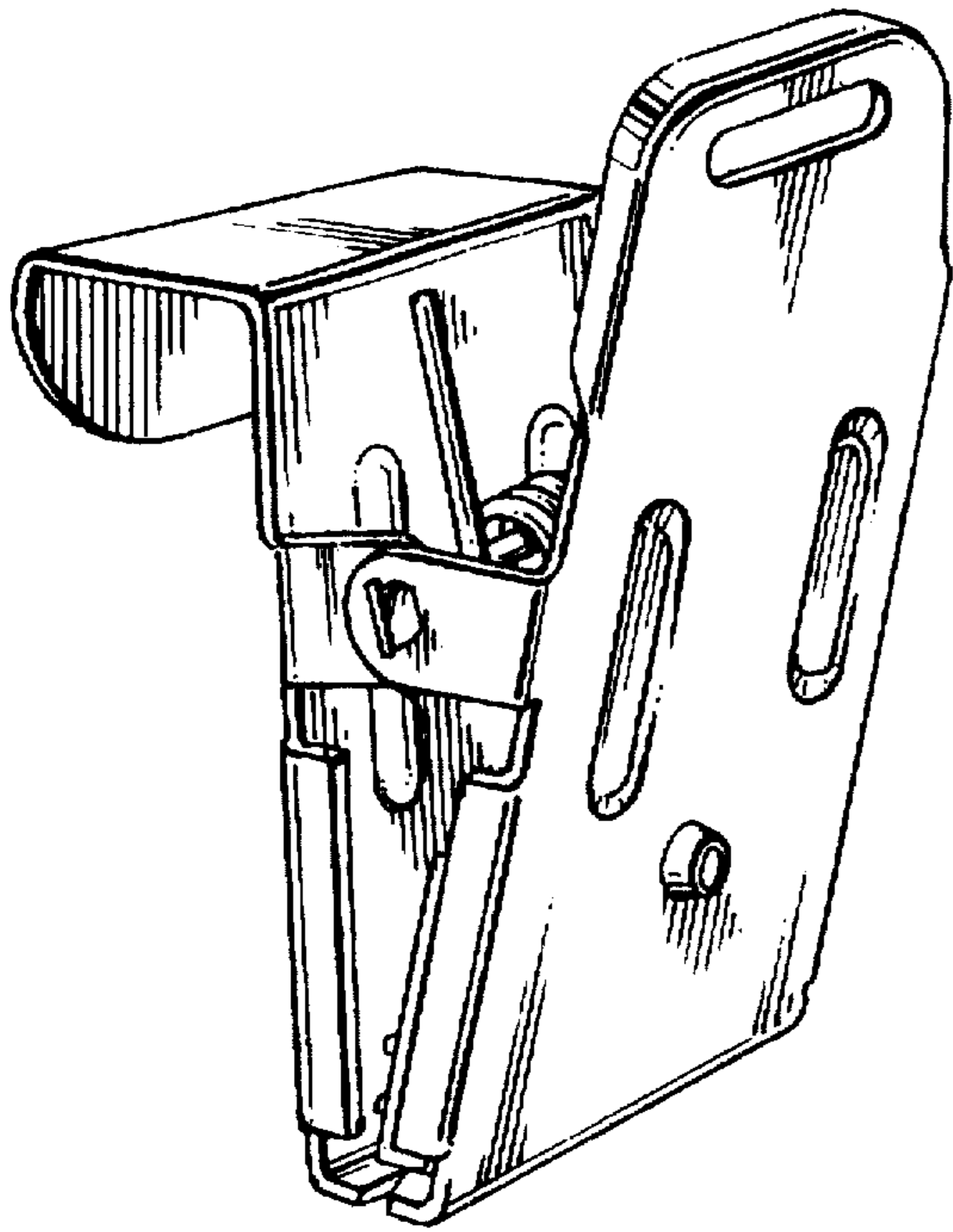


FIG. 1

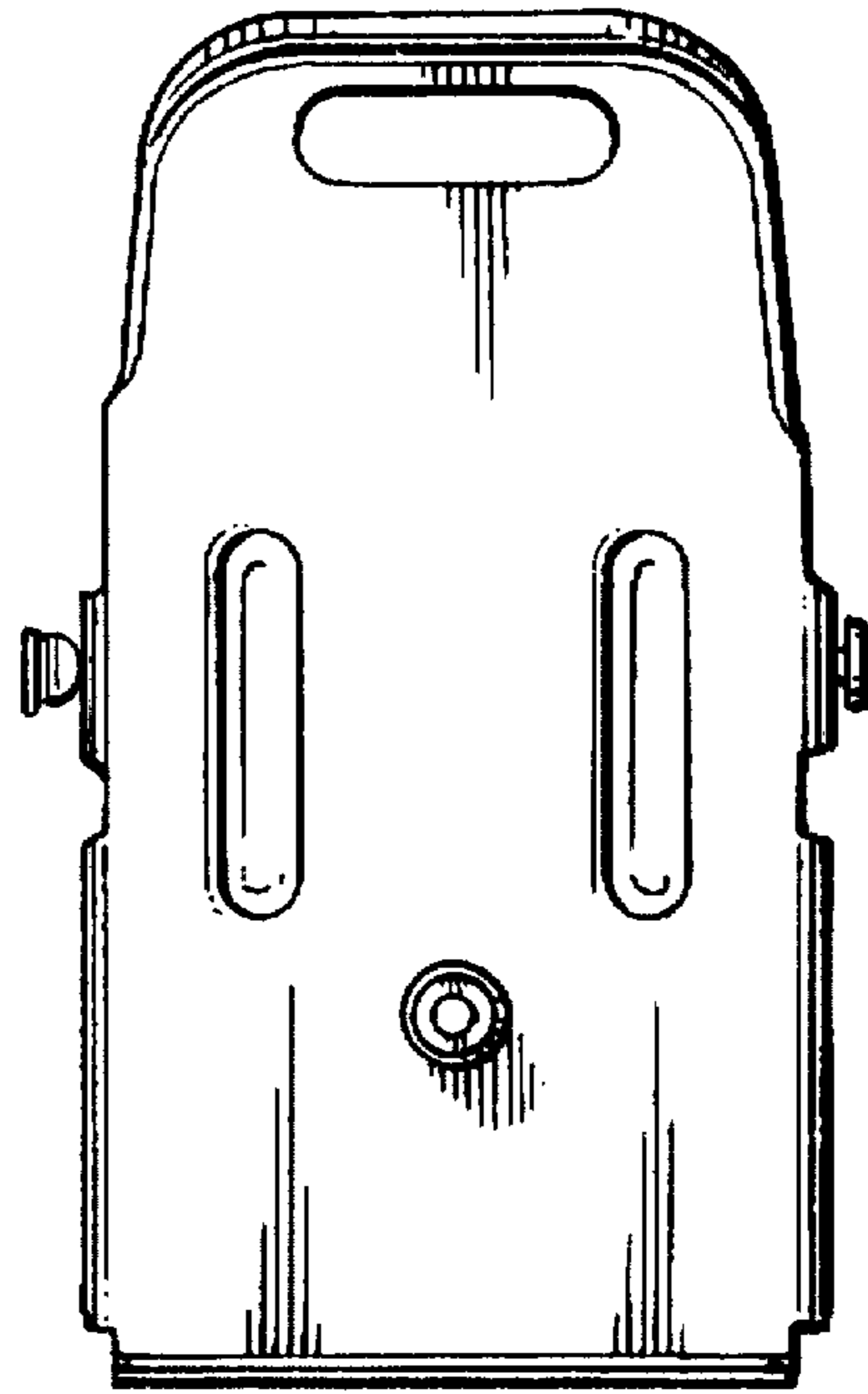


FIG. 2

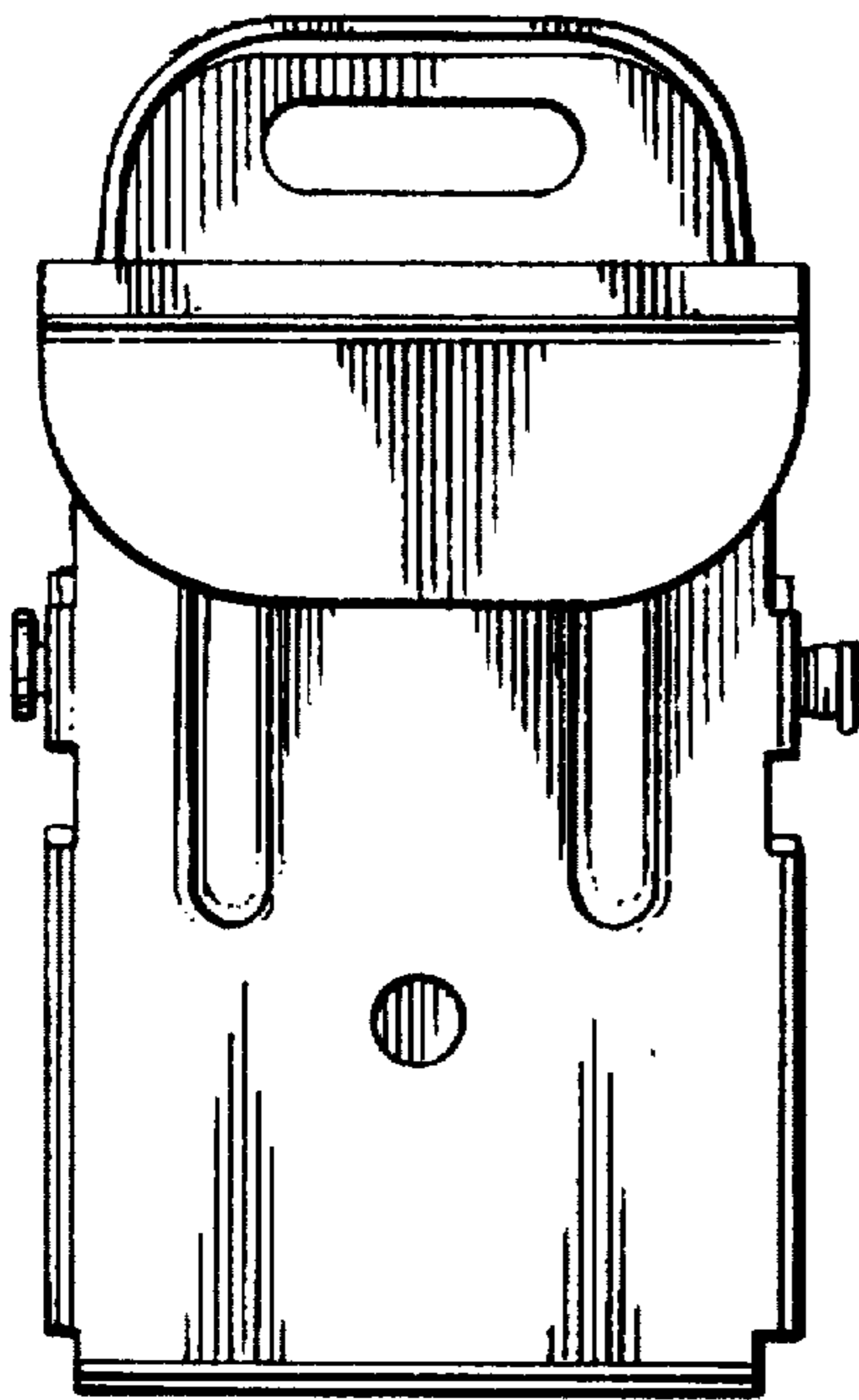


FIG. 3

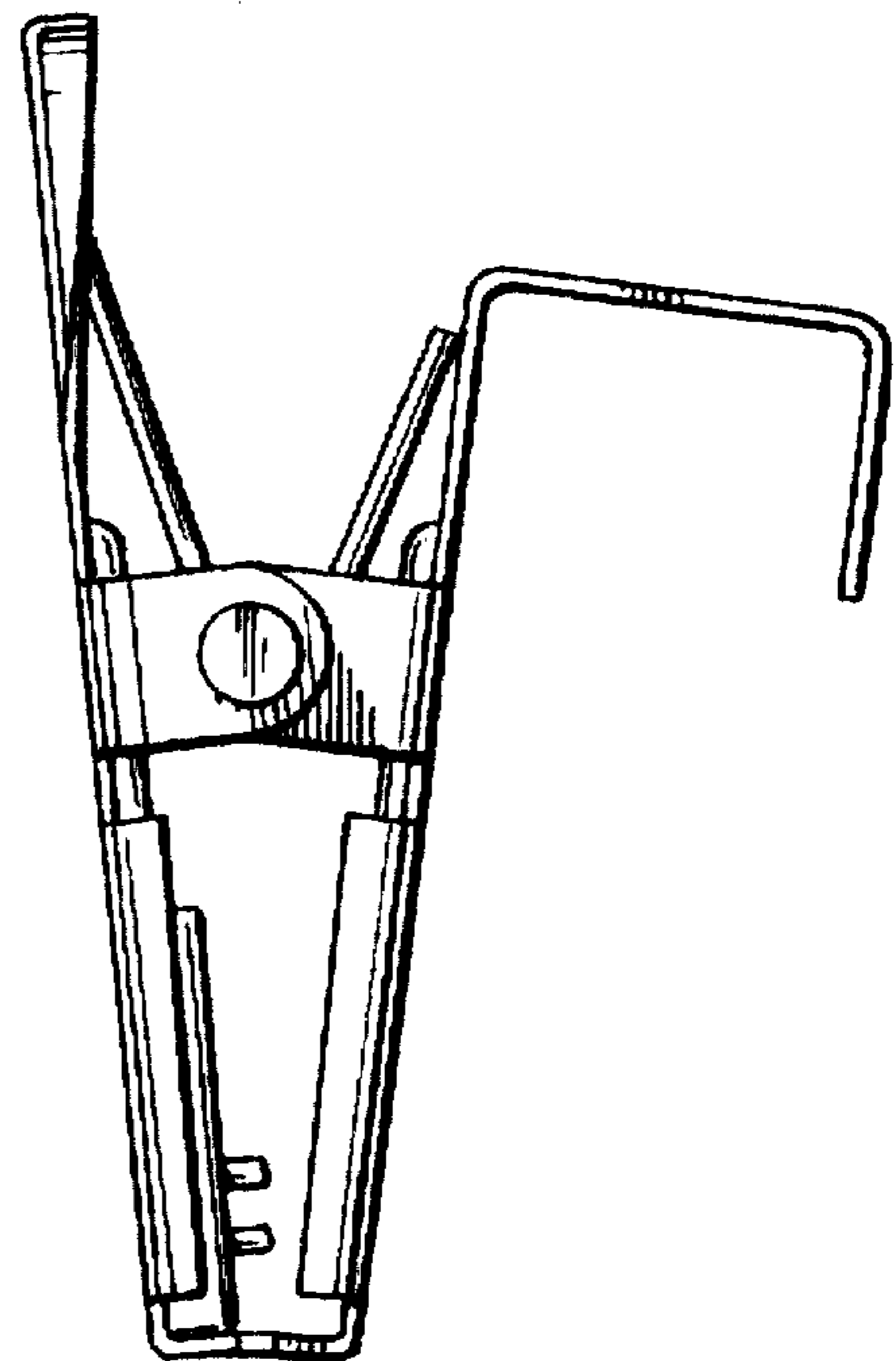


FIG. 4

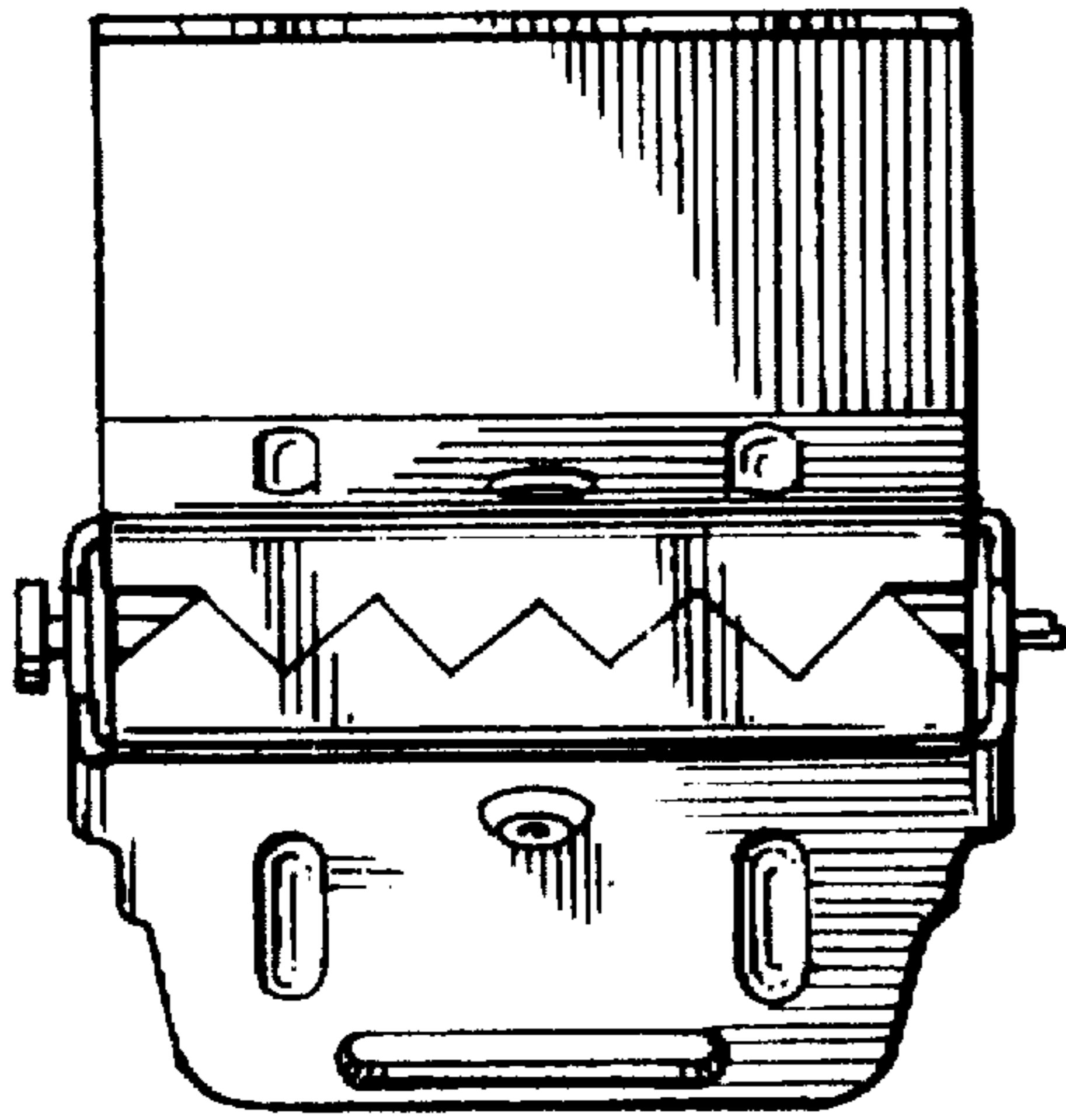


FIG. 5

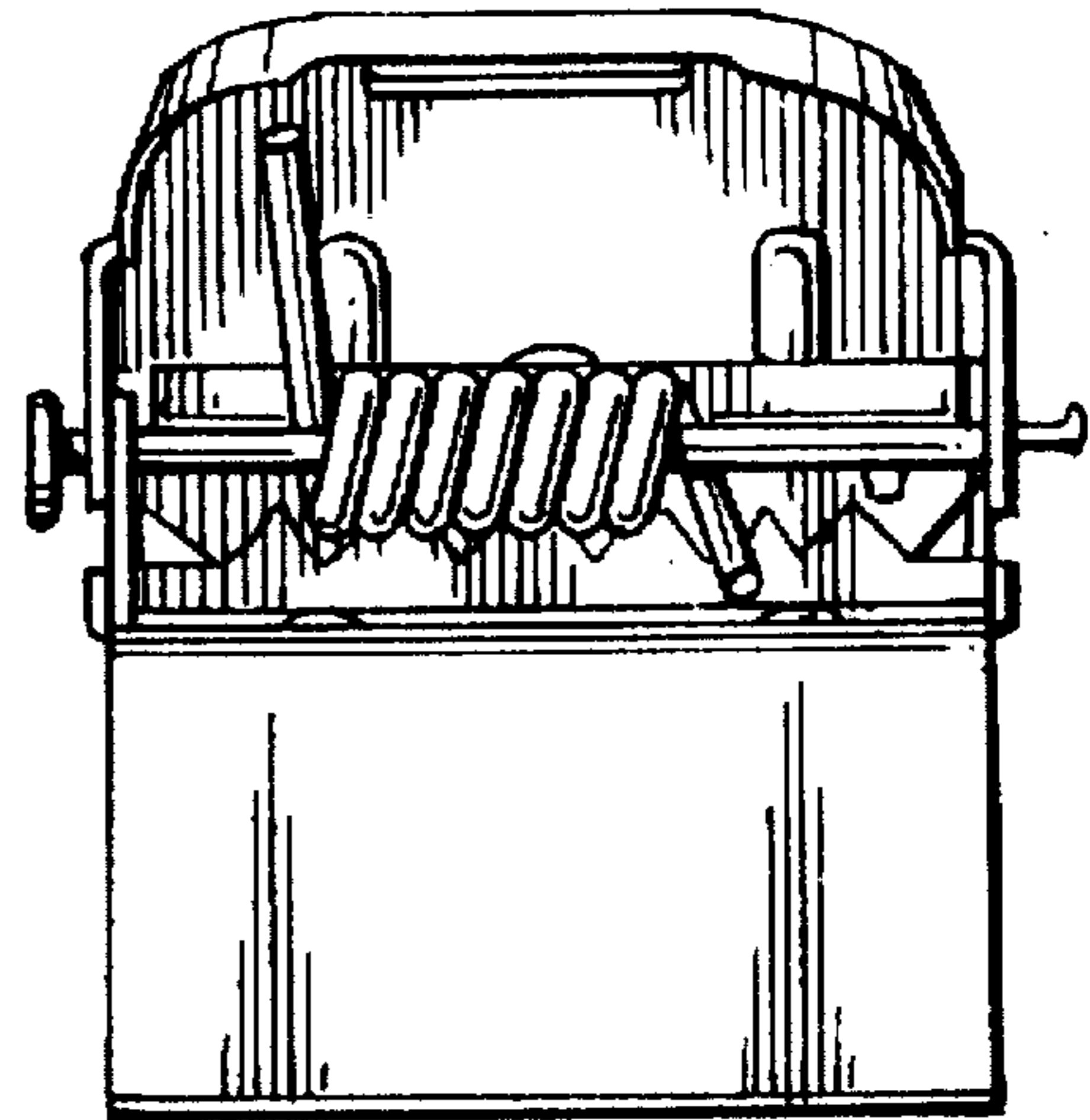


FIG. 6