



US00D393794S

United States Patent [19]
Blanch

[11] **Patent Number: Des. 393,794**
[45] **Date of Patent: **Apr. 28, 1998**

[54] **LATCH STRIKE**

[75] **Inventor: David Garfield Blanch, Notting Hill, Australia**

[73] **Assignee: Lockwood Australia Pty Ltd, Huntingdale, Australia**

[**] **Term: 14 Years**

[21] **Appl. No.: 56,479**

[22] **Filed: Jul. 1, 1996**

[30] **Foreign Application Priority Data**

Jan. 25, 1996 [AU] Australia 181/96

[51] **LOC (6) Cl. 08-07**

[52] **U.S. Cl. D8/344**

[58] **Field of Search D8/343-344, 345; 292/340, 341.19; 70/148**

[56] **References Cited**

U.S. PATENT DOCUMENTS

D. 137,539 3/1944 Ledin D8/341

D. 256,429 8/1980 Best et al. D8/341
D. 284,639 7/1986 Matsuo et al. D8/331
3,209,563 10/1965 Pelcin 70/148

Primary Examiner—Brian N. Vinson
Attorney, Agent, or Firm—Jacobson, Price, Holman & Stern, PLLC

[57] **CLAIM**

The ornamental design for a latch strike, as shown and described.

DESCRIPTION

FIG. 1 is a left side view showing my new design for a latch strike;

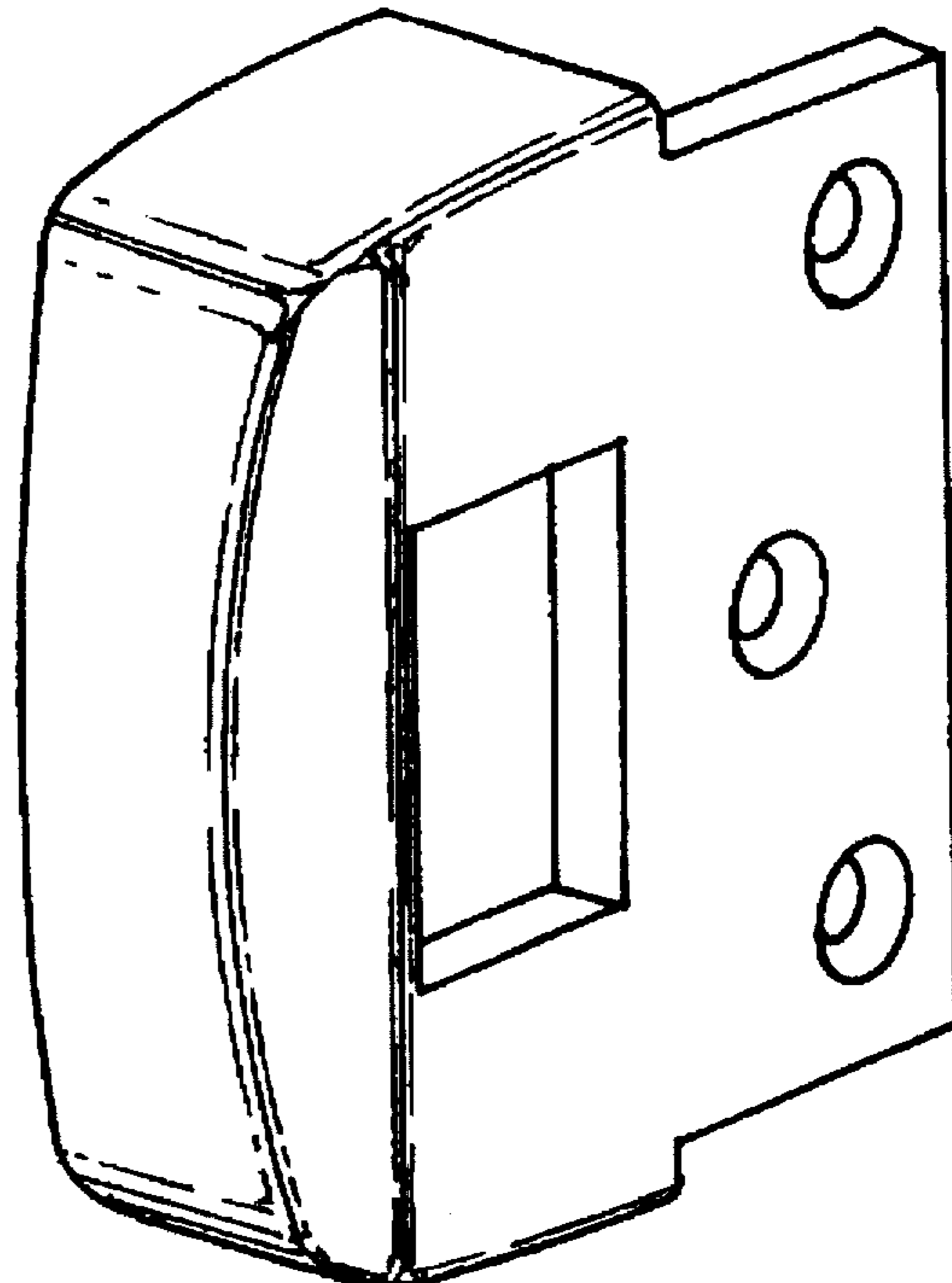
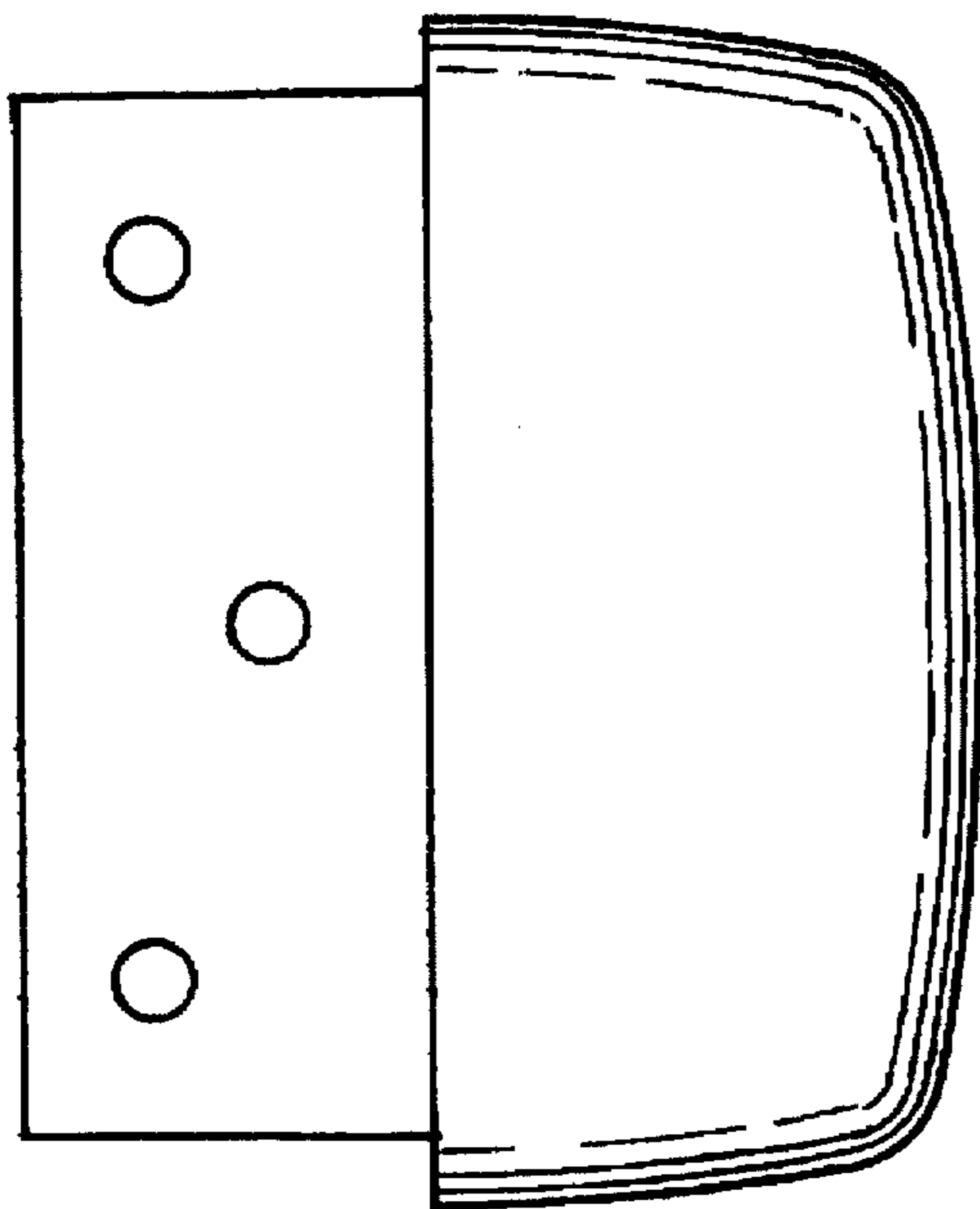
FIG. 2 is a top plan view thereof;

FIG. 3 is a rear view thereof;

FIG. 4 is a front view thereof; and,

FIG. 5 is a front perspective view.

1 Claim, 1 Drawing Sheet



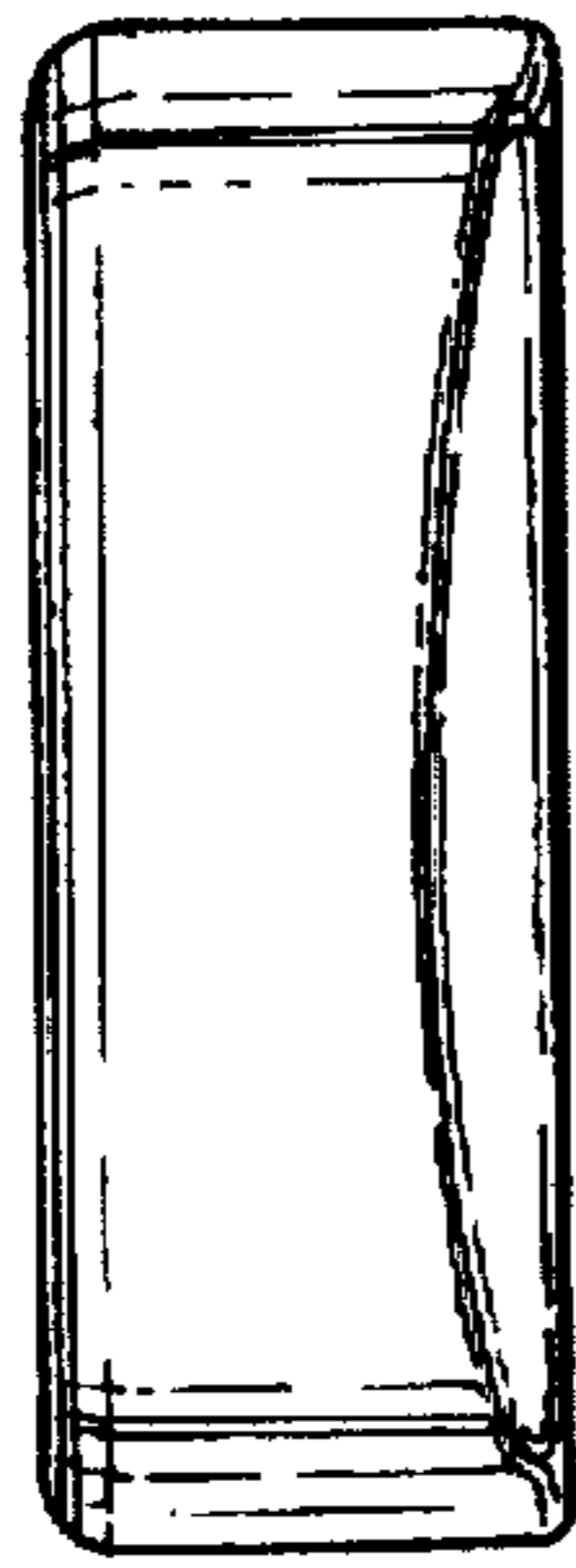


FIG 1

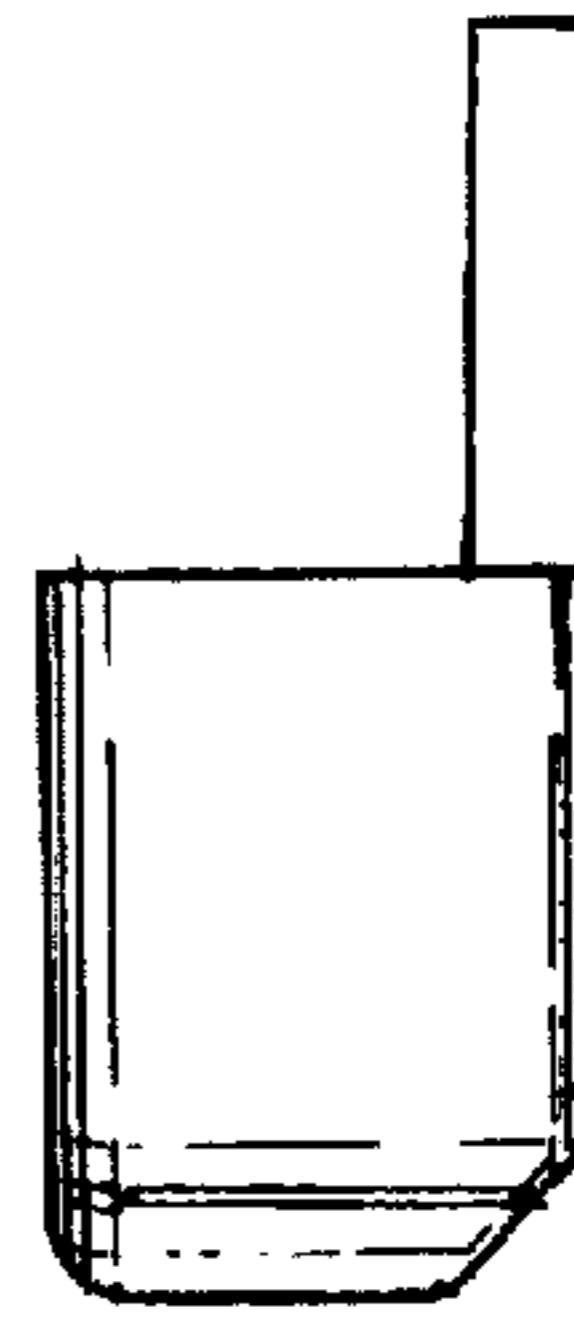


FIG 2

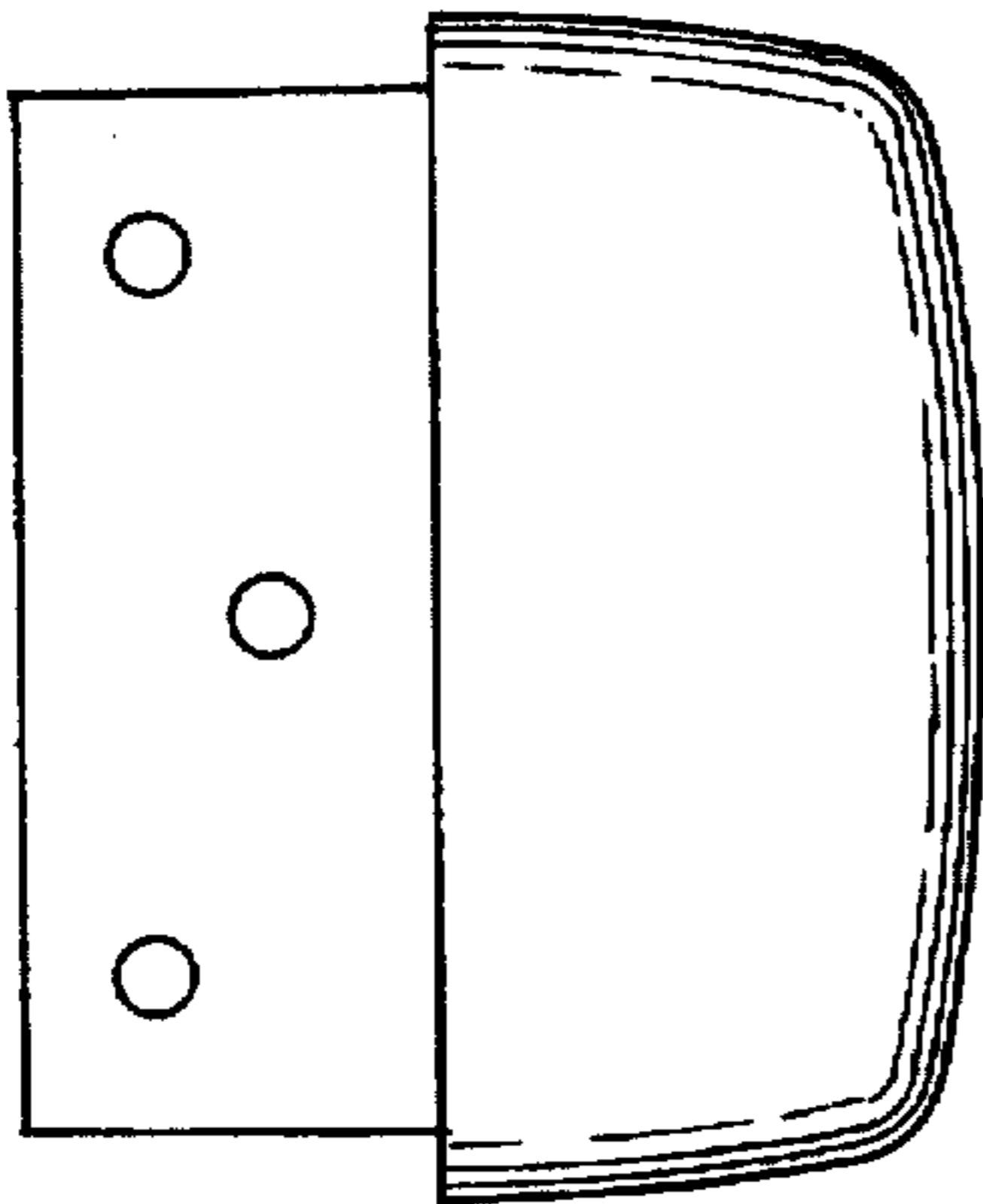


FIG 3

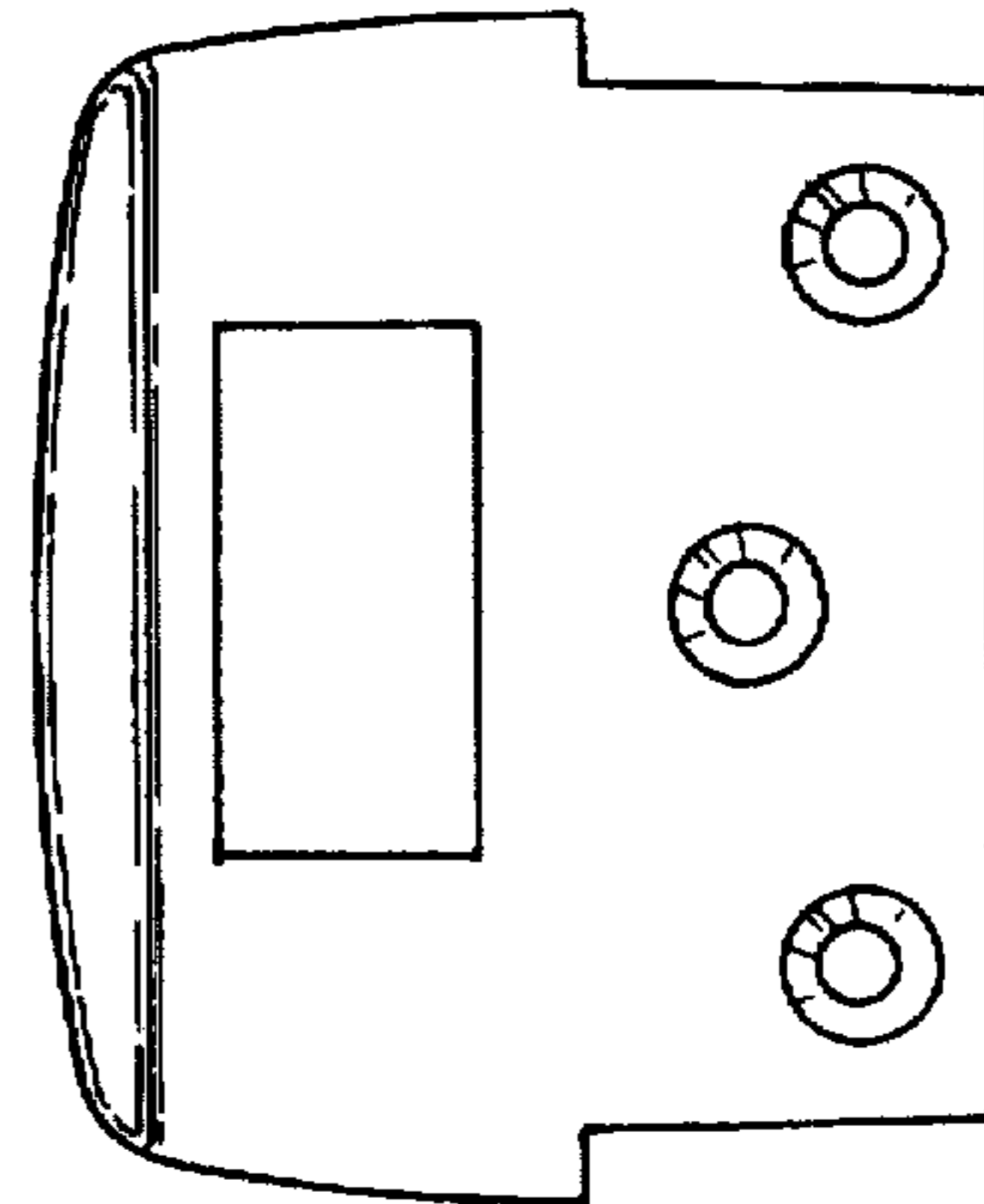


FIG 4

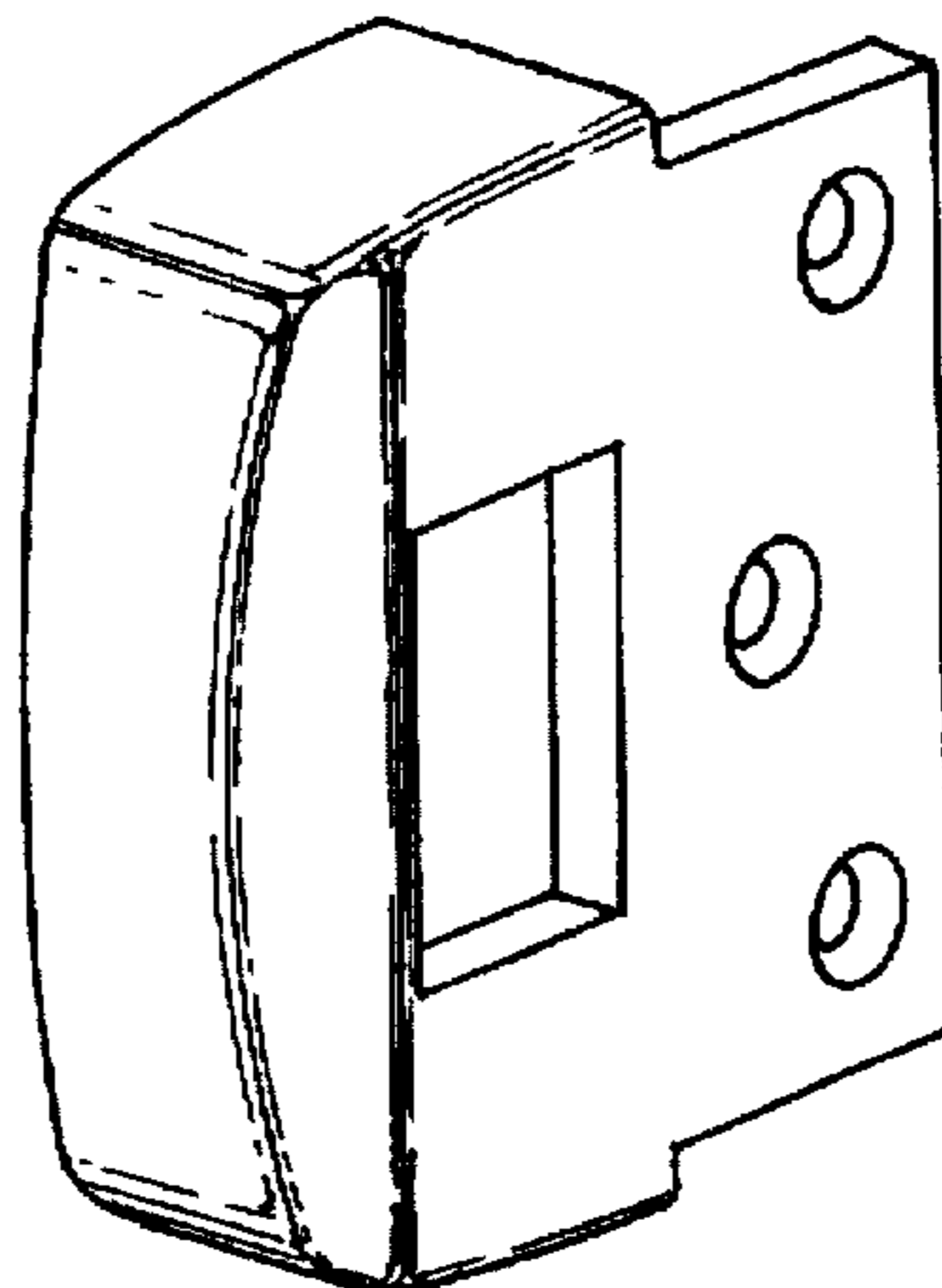


FIG 5