



US00D393787S

United States Patent [19]

Savoie

[11] Patent Number: **Des. 393,787**

[45] Date of Patent: ****Apr. 28, 1998**

[54] **CLEAT WRENCH**

2,448,805 9/1948 Ingram 81/176.15
2,881,648 4/1959 Hottle 81/176.15

[75] Inventor: **Armand J. Savoie**, Gardner, Mass.

[73] Assignee: **MacNeill Engineering Company, Inc.**,
Marlborough, Mass.

Primary Examiner—Ted Shooman
Assistant Examiner—Richelle Shelton
Attorney, Agent, or Firm—Bromberg & Sunstein LLP

[**] Term: **14 Years**

[57] **CLAIM**

[21] Appl. No.: **68,650**

The ornamental design for a cleat wrench, as shown and described.

[22] Filed: **Mar. 26, 1997**

DESCRIPTION

Related U.S. Application Data

[63] Continuation-in-part of Ser. No. 774,585, Dec. 23, 1996.

FIG. 1 is a perspective view of the cleat wrench;
FIG. 2 is a right side view of the cleat wrench, the left side view being a mirror image;
FIG. 3 is a bottom view of the cleat wrench;
FIG. 4 is a top view of the cleat wrench;
FIG. 5 is a front-end view of the cleat wrench; and,
FIG. 6 is a back-end view of the cleat wrench.

[51] LOC (6) Cl. **08-05**

[52] U.S. Cl. **D8/21; D21/234**

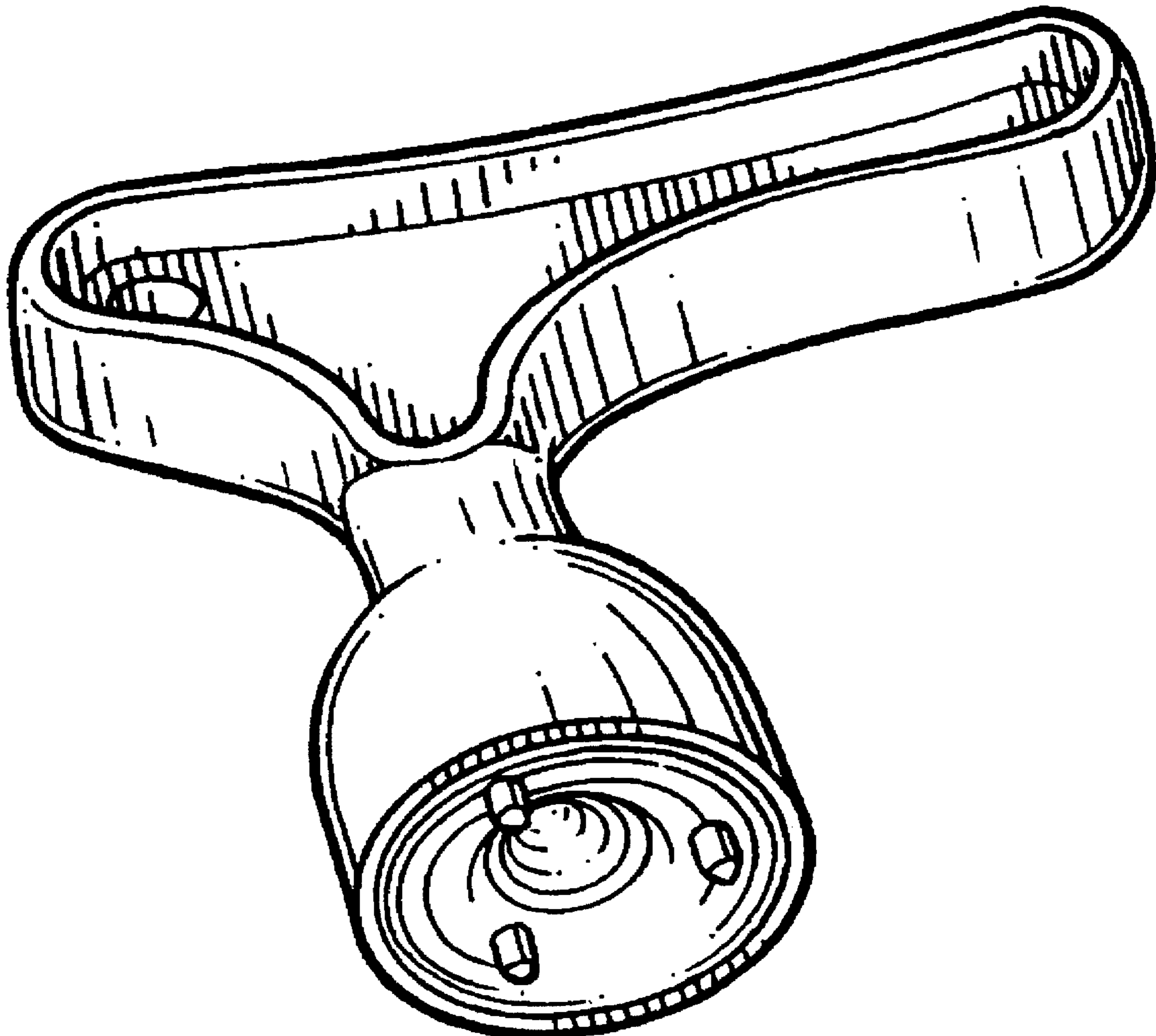
[58] Field of Search **D8/14, 21, 27,**
D8/29, 70, 107; D21/234; 81/176.15

[56] **References Cited**

U.S. PATENT DOCUMENTS

D. 259,698 6/1981 MacNeil D8/107

1 Claim, 3 Drawing Sheets



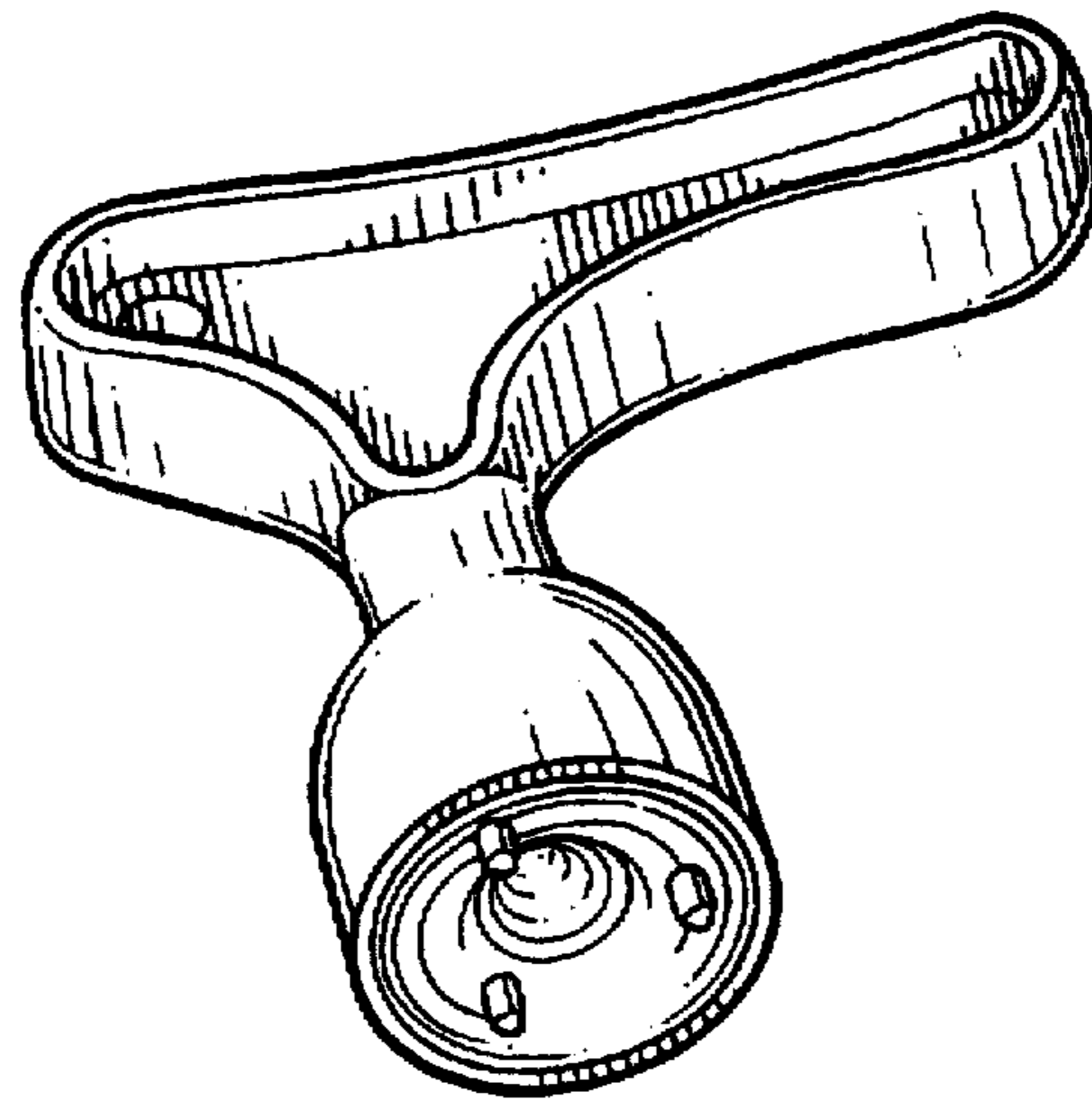


FIG. 1

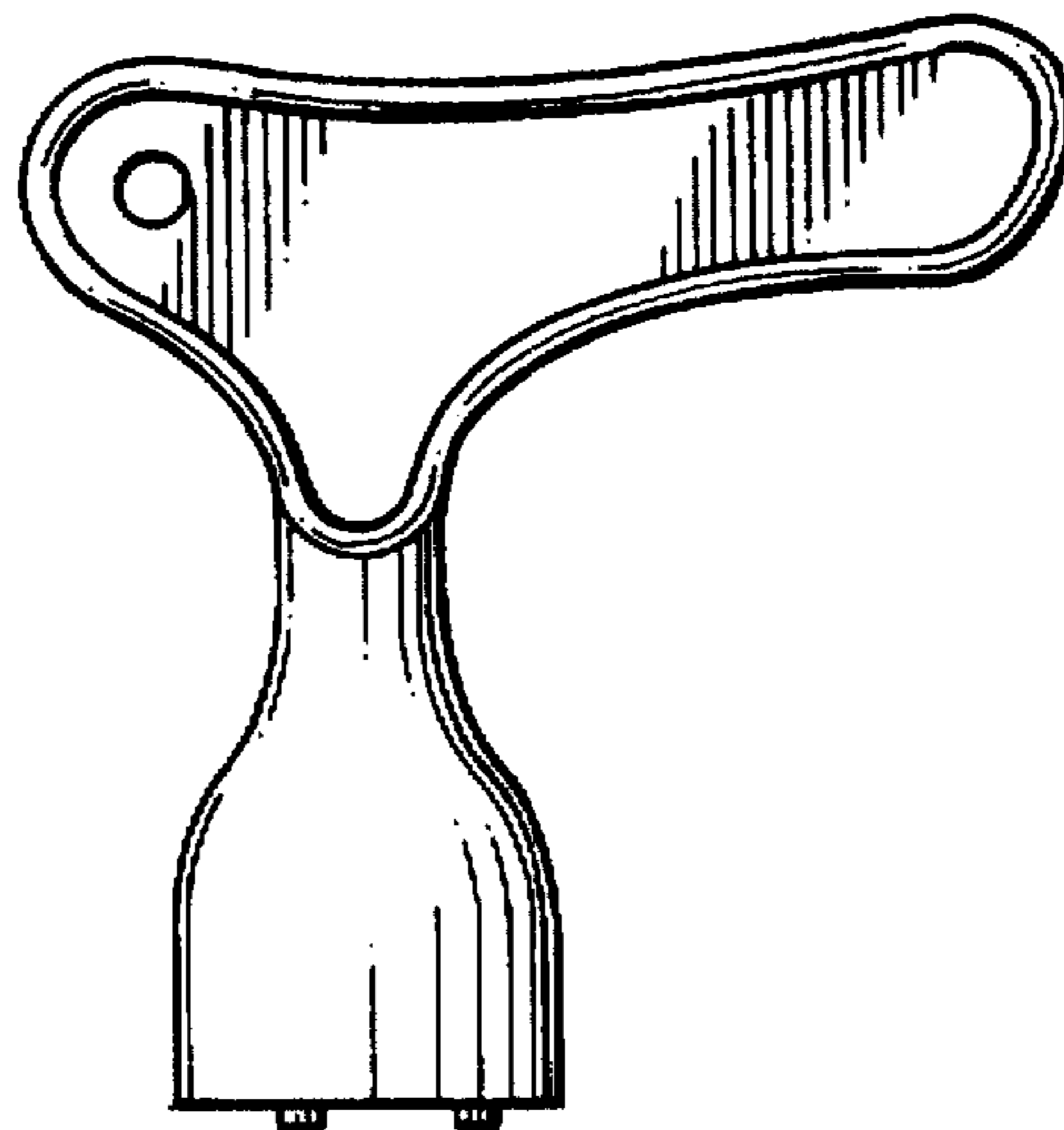


FIG. 2

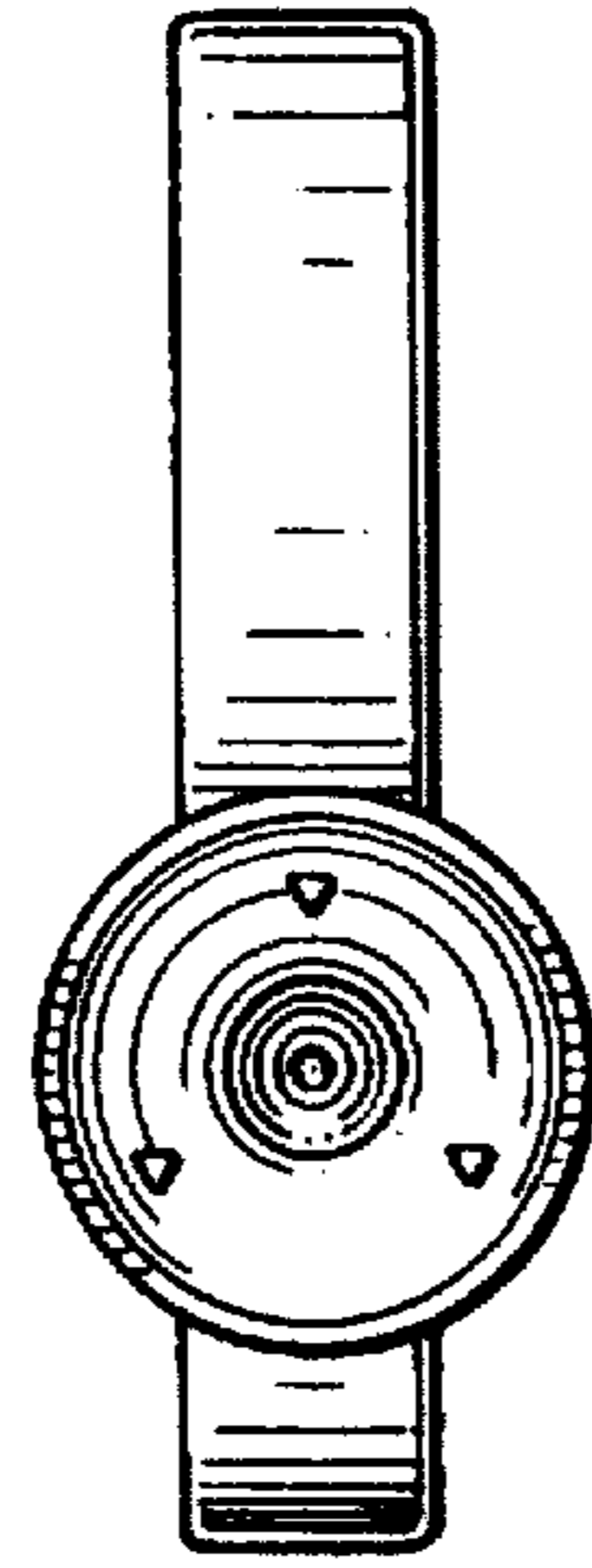


FIG. 3

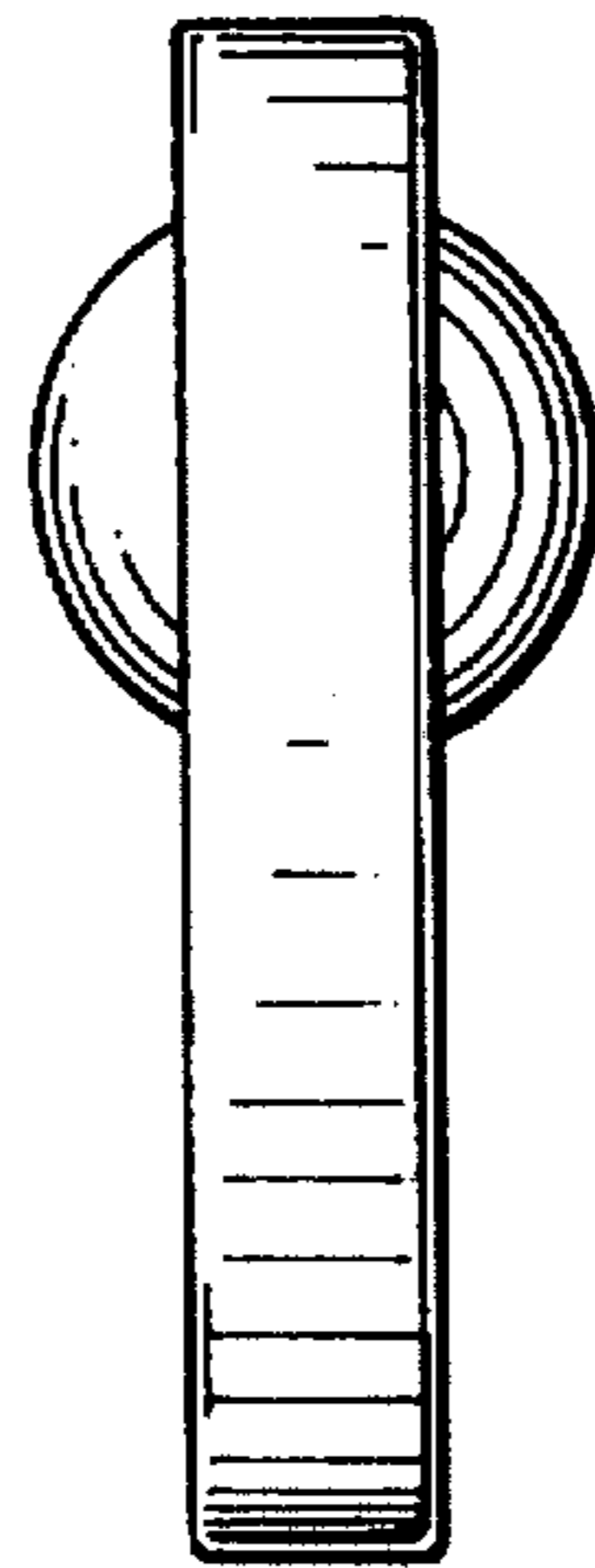


FIG. 4

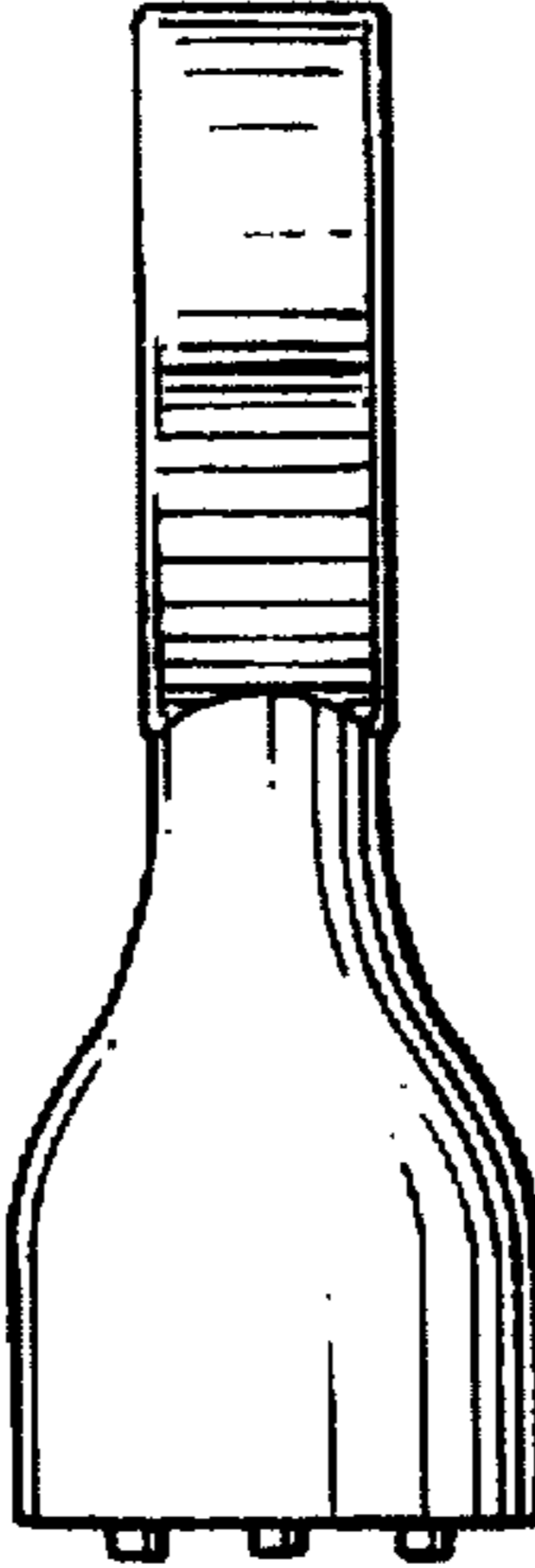


FIG. 5

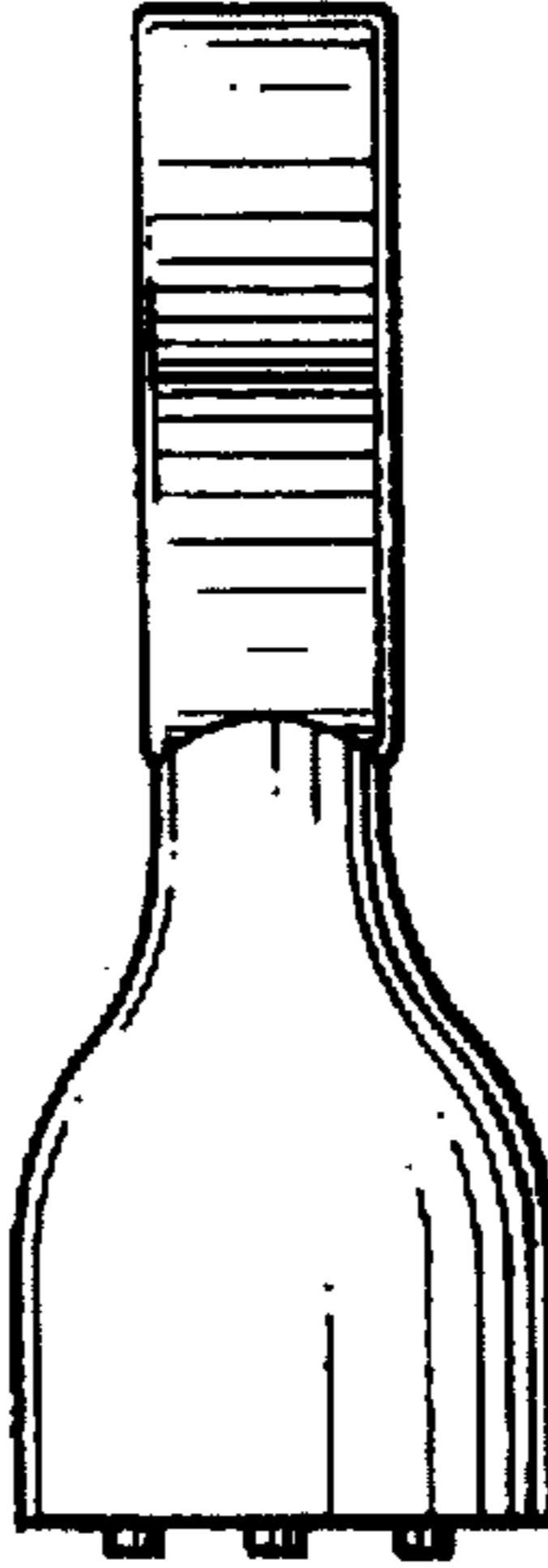


FIG. 6