

US00D393783S

United States Patent [19]

Goodman

[11] Patent Number: **Des. 393,783**

[45] Date of Patent: ****Apr. 28, 1998**

[54] **CUP TREE**

D. 369,950 5/1996 LaPointe D7/704
2,010,093 8/1935 Lazarus 211/30

[76] Inventor: **Sheldon H. Goodman**, 30905 Stratford, Solon, Ohio 44139

Primary Examiner—Terry A. Wallace
Attorney, Agent, or Firm—Pearne, Gordon, McCoy & Granger LLP

[**] Term: **14 Years**

[21] Appl. No.: **70,410**

[57] **CLAIM**

[22] Filed: **May 8, 1997**

The ornamental design for a cup tree, as shown and described.

[51] LOC (6) Cl. **07-06**

DESCRIPTION

[52] U.S. Cl. **D7/704**

[58] Field of Search D7/701, 704, 707, D7/708; D6/411, 405, 457, 458, 462, 465; 211/13.1, 30, 33, 71, 74, 77, 78, 181

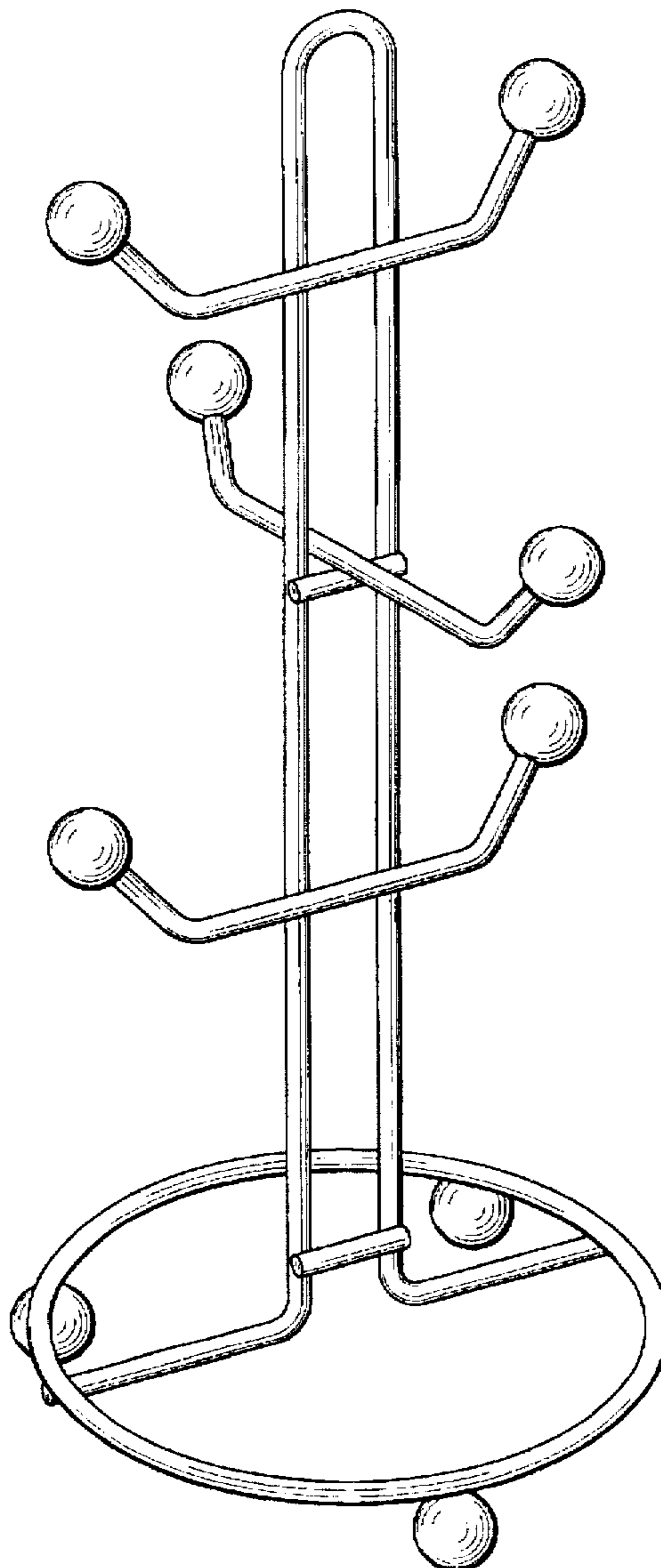
FIG. 1 is a perspective view of a cup tree, showing my new design;
FIG. 2 is a front elevational view thereof;
FIG. 3 is a side elevational view thereof;
FIG. 4 is a top plan view thereof;
FIG. 5 is a bottom plan view thereof; and,
FIG. 6 is a rear elevational view thereof.

[56] **References Cited**

U.S. PATENT DOCUMENTS

D. 235,238 6/1975 Braverman D6/462
D. 255,961 7/1980 Kerr D7/707

1 Claim, 3 Drawing Sheets



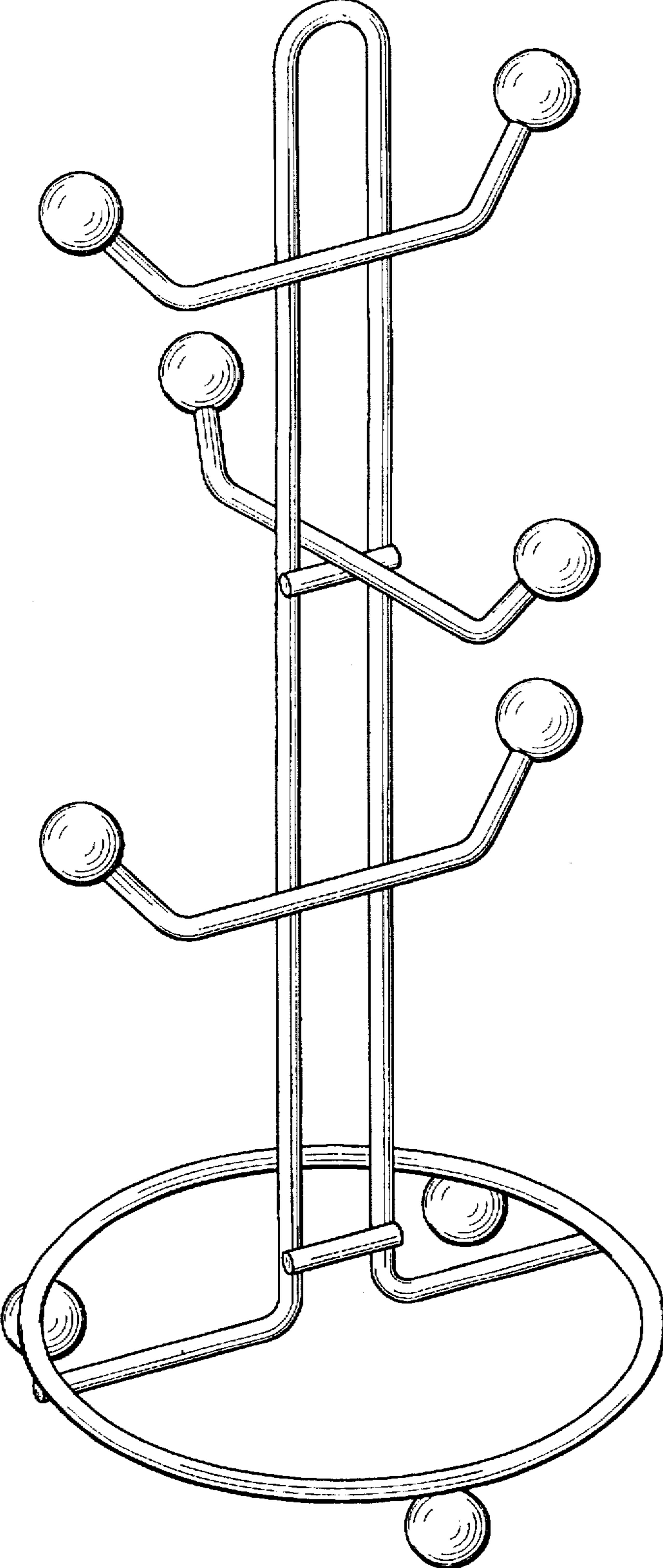


Fig. 1

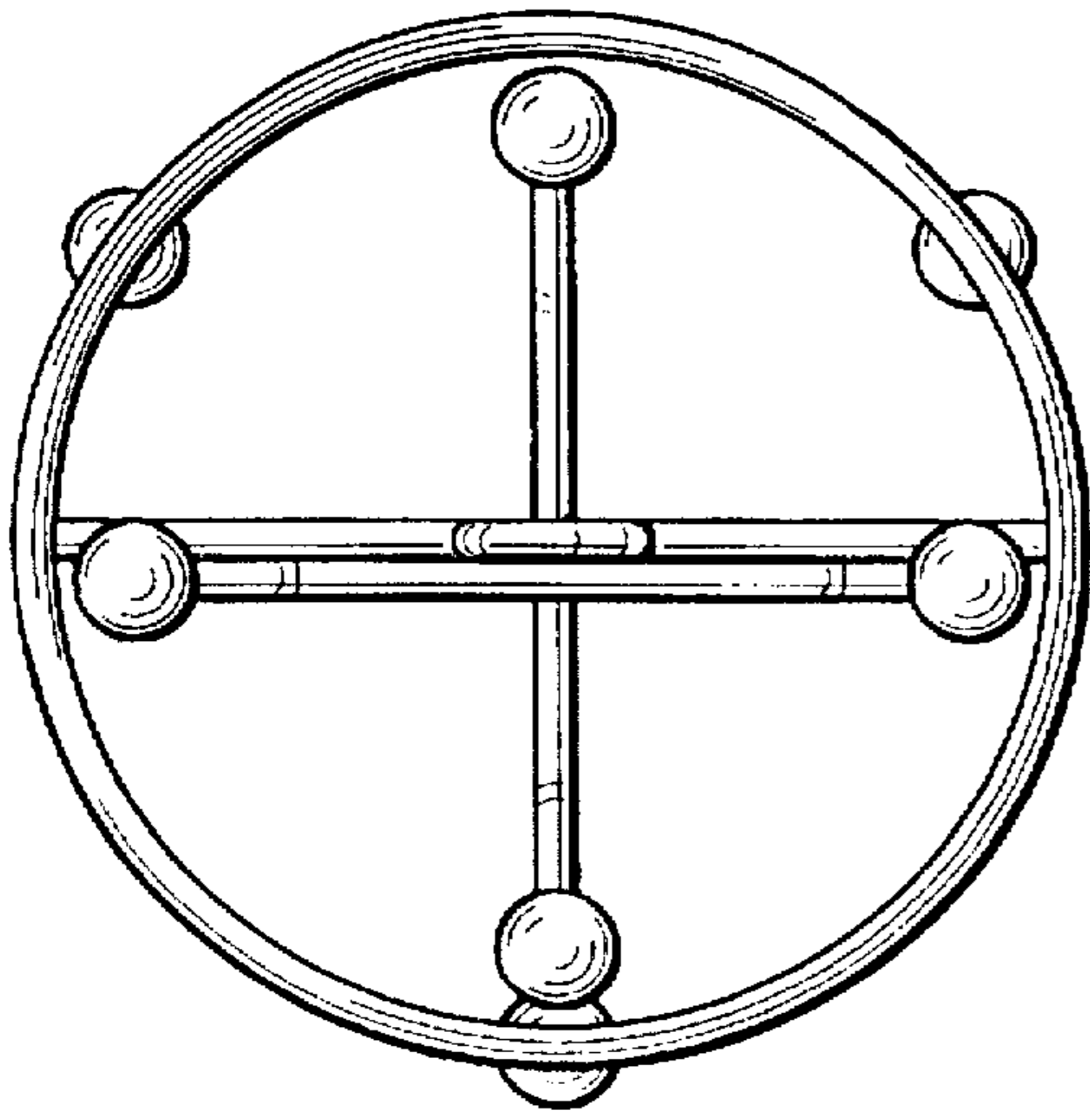


Fig. 4

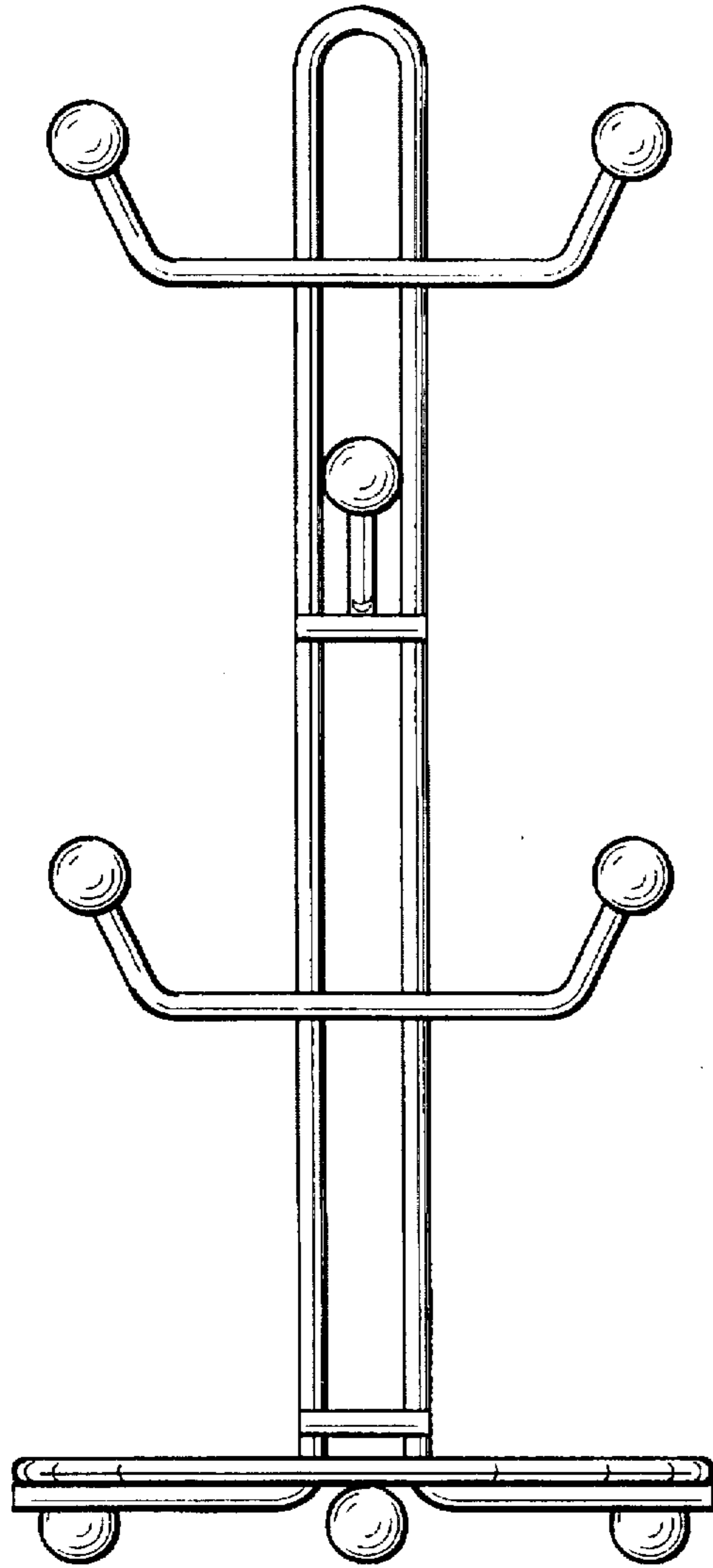


Fig. 2

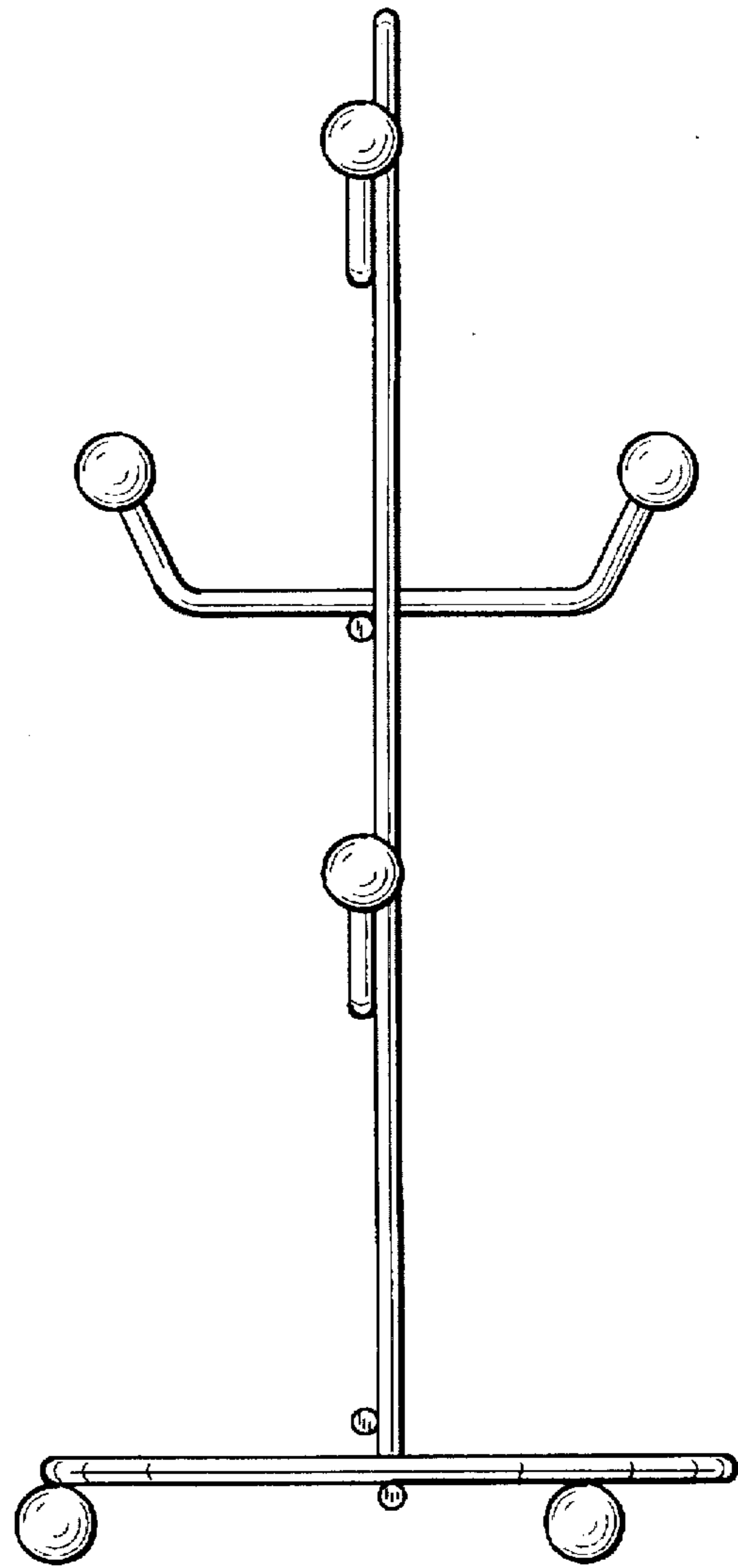


Fig. 3

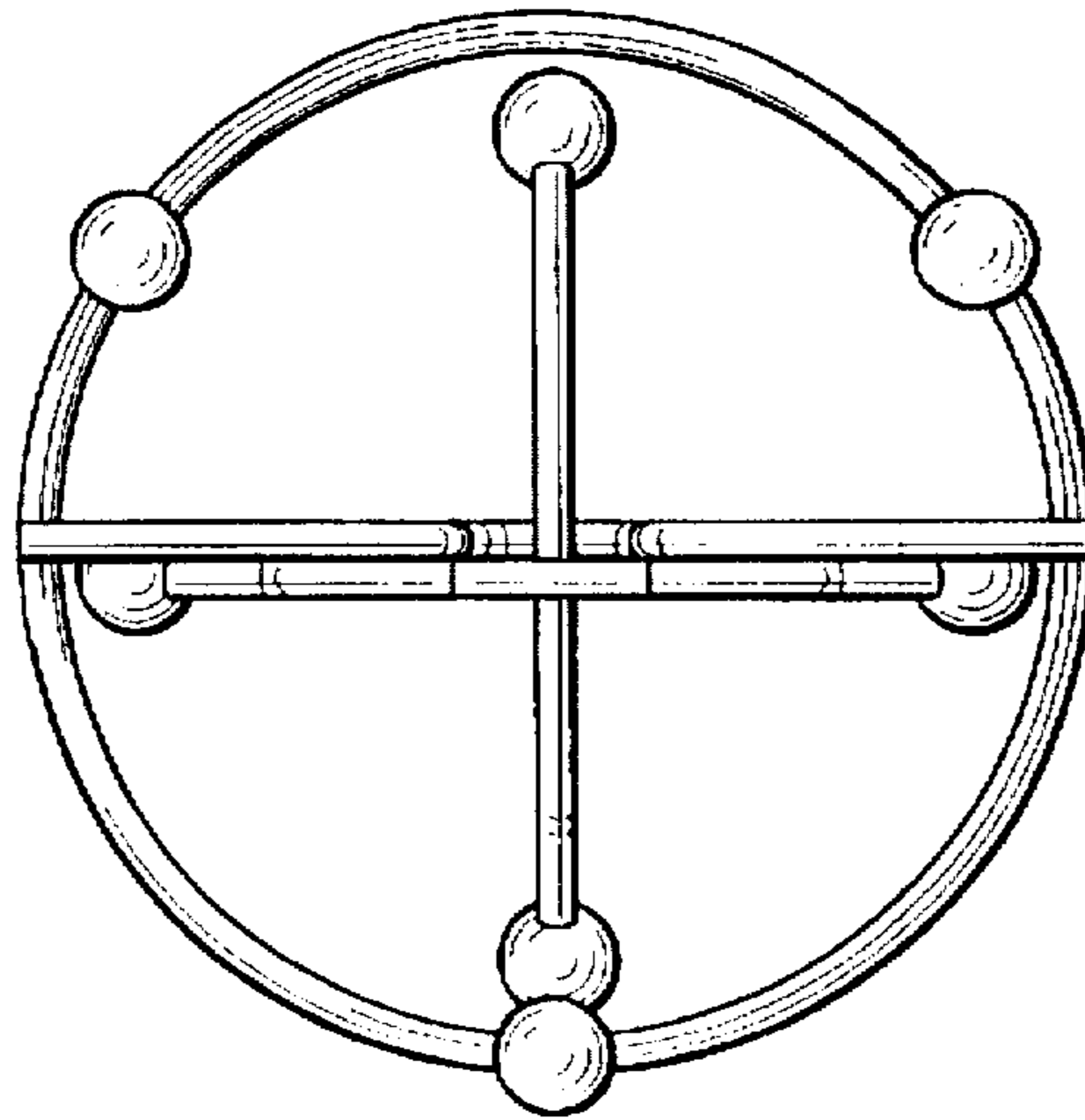


Fig. 5

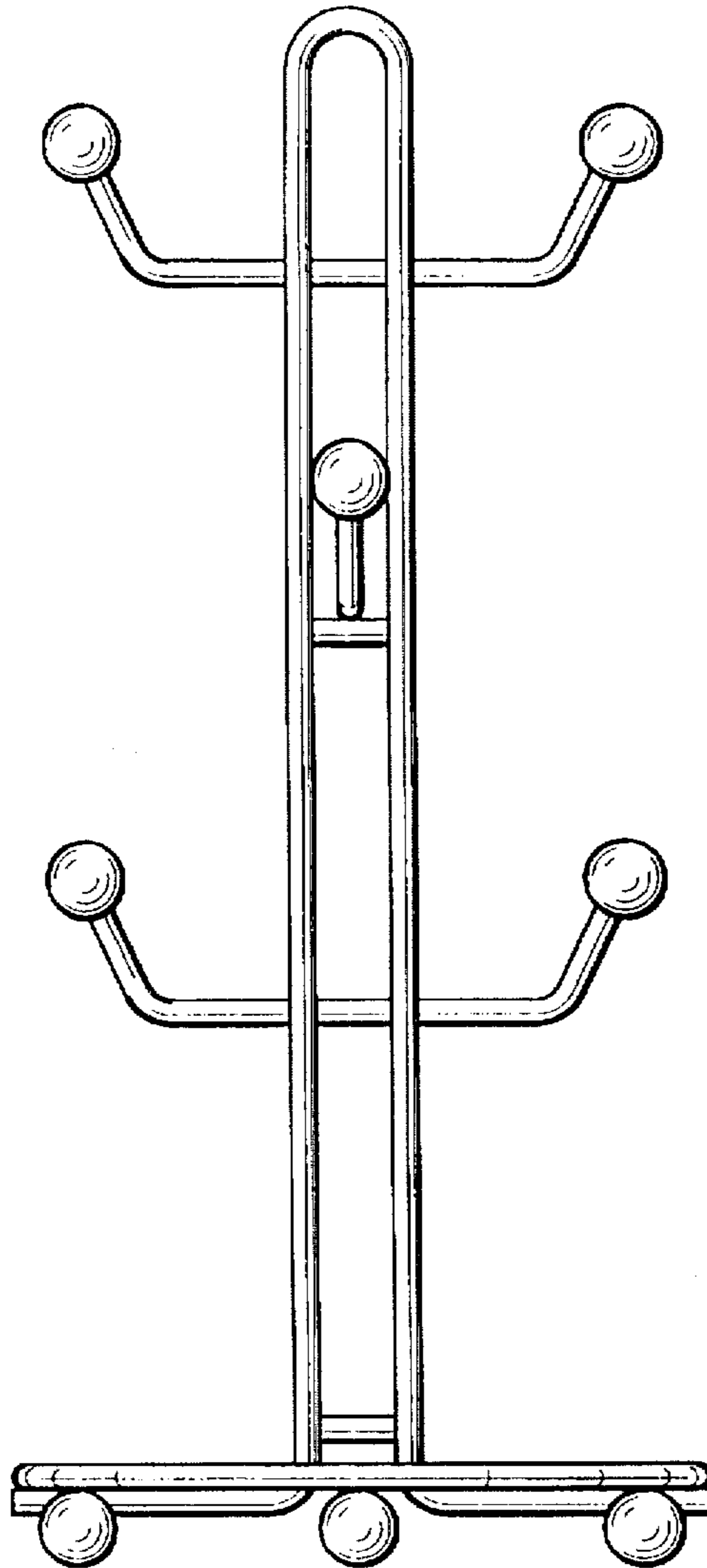


Fig. 6