



US00D393781S

United States Patent [19]
Iacovelli

[11] **Patent Number: Des. 393,781**
[45] **Date of Patent: **Apr. 28, 1998**

[54] **EATING UTENSIL**

[75] **Inventor: Peter R. Iacovelli, Fountain Inn, S.C.**

[73] **Assignee: Dispoz-O-Plastics, Inc., Fountain Inn, S.C.**

[**] **Term: 14 Years**

[21] **Appl. No.: 67,720**

[22] **Filed: Feb. 19, 1997**

[51] **LOC (6) Cl. 07-03**

[52] **U.S. Cl. D7/653**

[58] **Field of Search D7/642, 645, 649, D7/653, 662, 663, 664; 30/147, 149, 150, 324**

[56] **References Cited**

U.S. PATENT DOCUMENTS

- D. 201,301 6/1965 Erenhouse D7/653
- D. 323,957 2/1992 Bouilhet D7/653
- D. 340,841 11/1993 Marsten et al. D7/653

Primary Examiner—Caron D. Veynar
Attorney, Agent, or Firm—Dority & Manning, P.A.

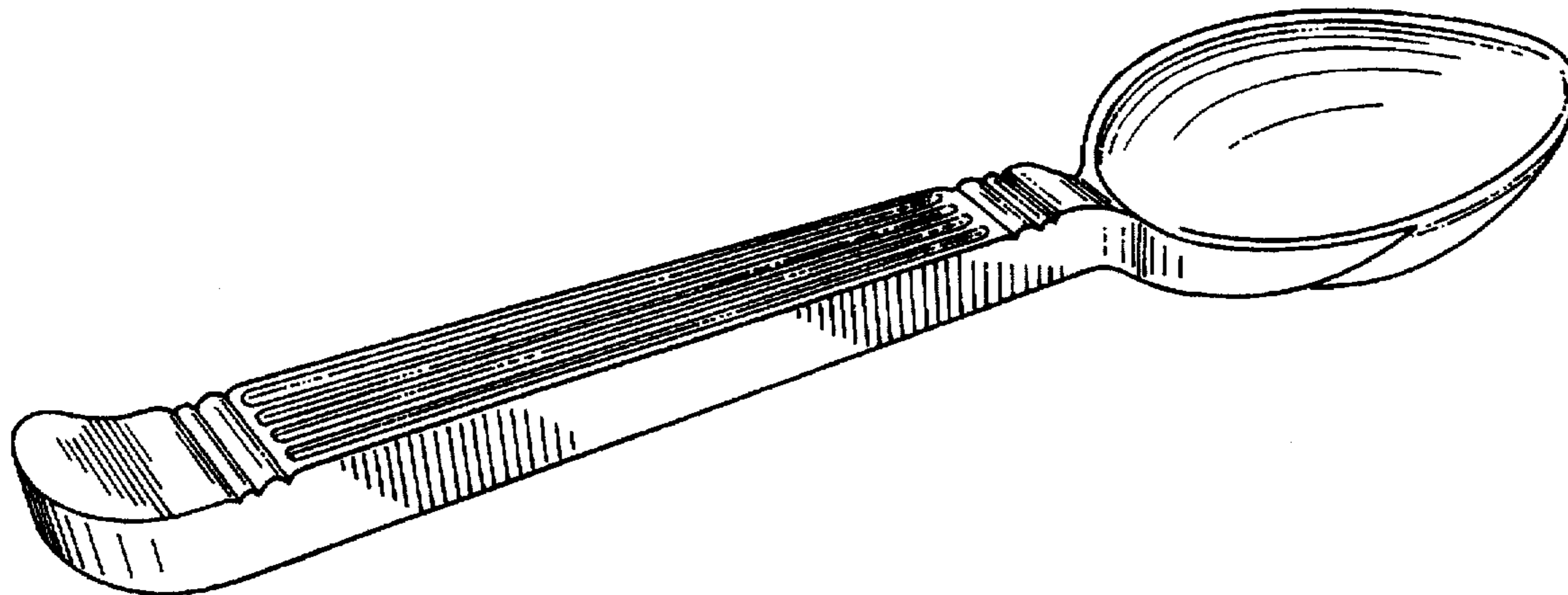
[57] **CLAIM**

The ornamental design for an eating utensil, as shown and described.

DESCRIPTION

FIG. 1 is an end view of the eating utensil according to the present invention;
 FIG. 2 is a top plan view of the eating utensil as illustrated in FIG. 1;
 FIG. 3 is a side elevational view of the eating utensil as illustrated in FIG. 1, an opposite side elevational view being a mirror image;
 FIG. 4 is a bottom plan view of the eating utensil illustrated in FIG. 1;
 FIG. 5 is an end view of the eating utensil as illustrated in FIG. 1, taken from an opposite end; and,
 FIG. 6 is an isometric view of the eating utensil as illustrated in FIG. 1.

1 Claim, 2 Drawing Sheets



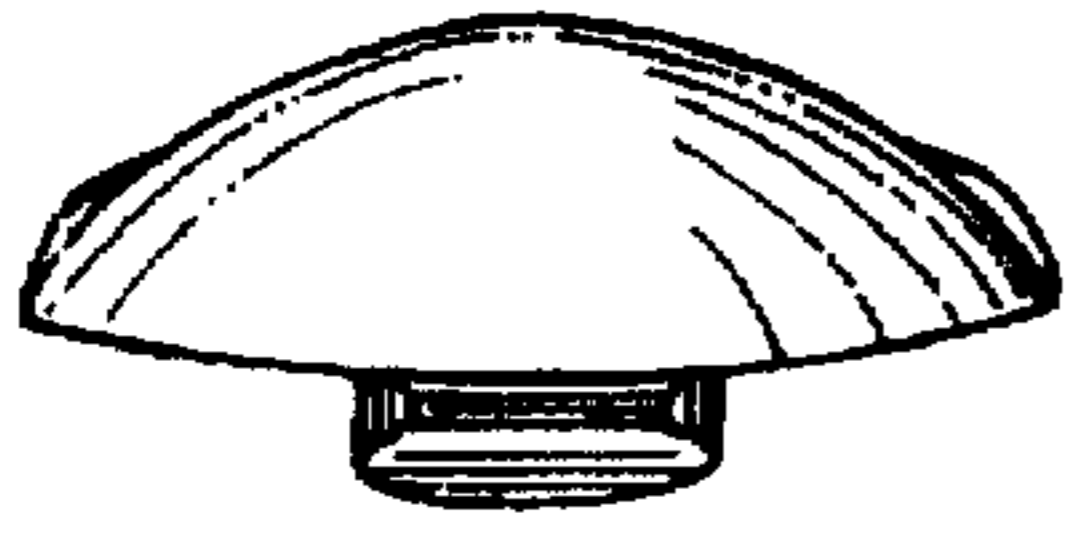


Fig. 1

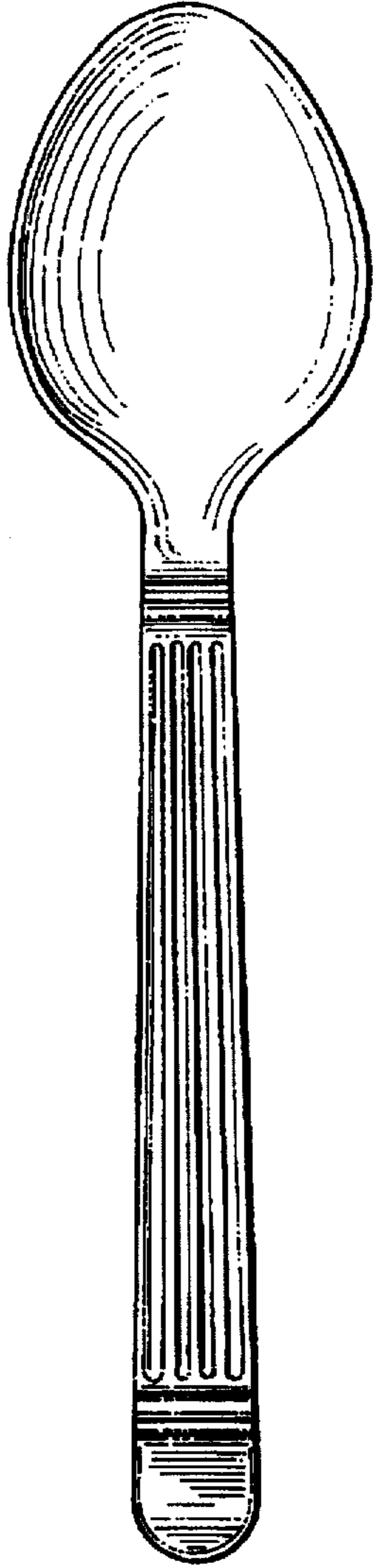


Fig. 2

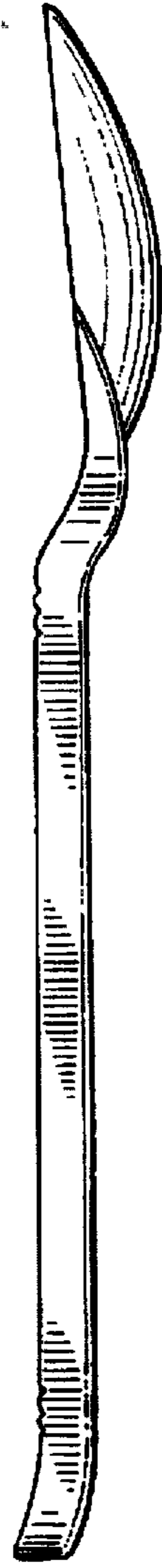


Fig. 3

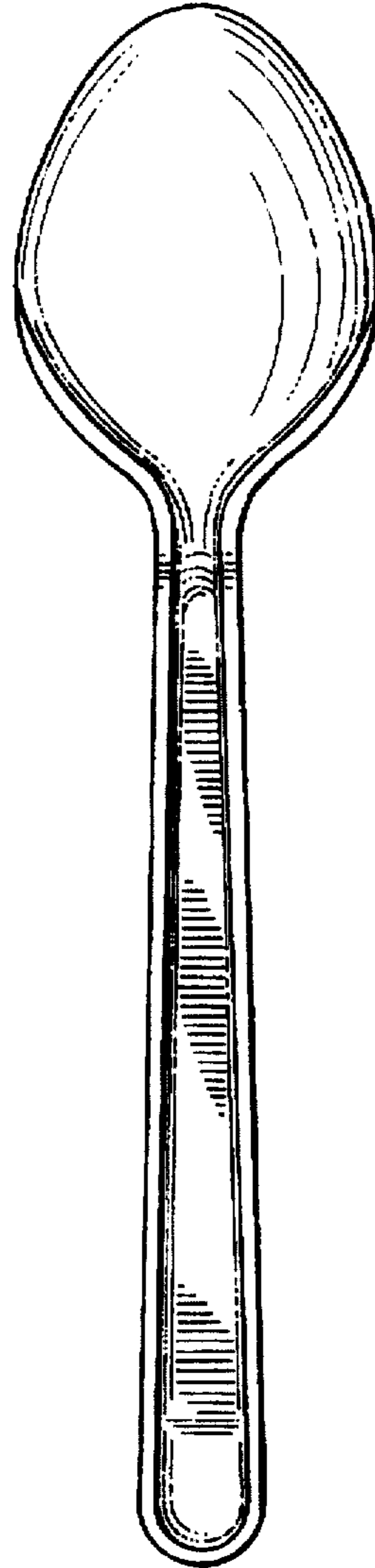


Fig. 4

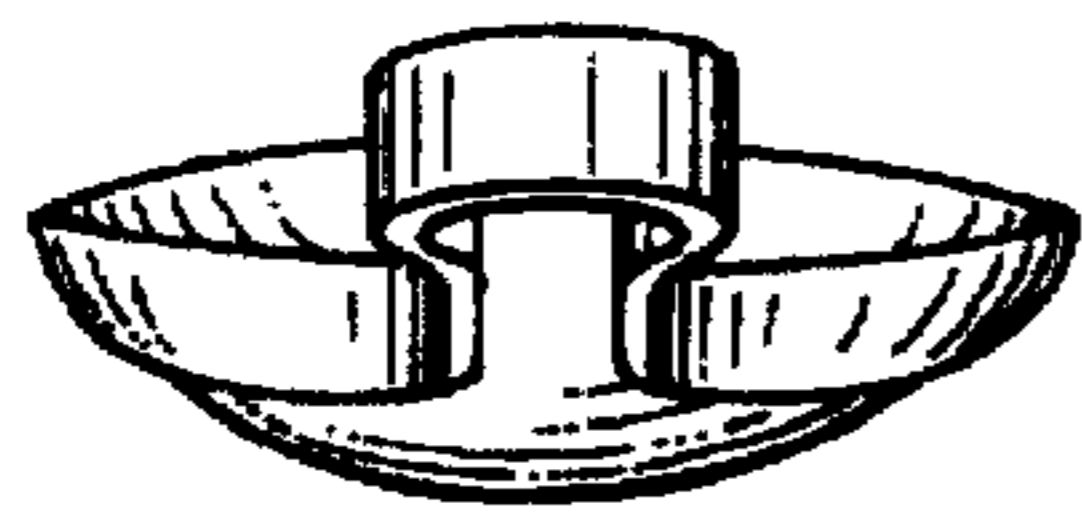


Fig. 5

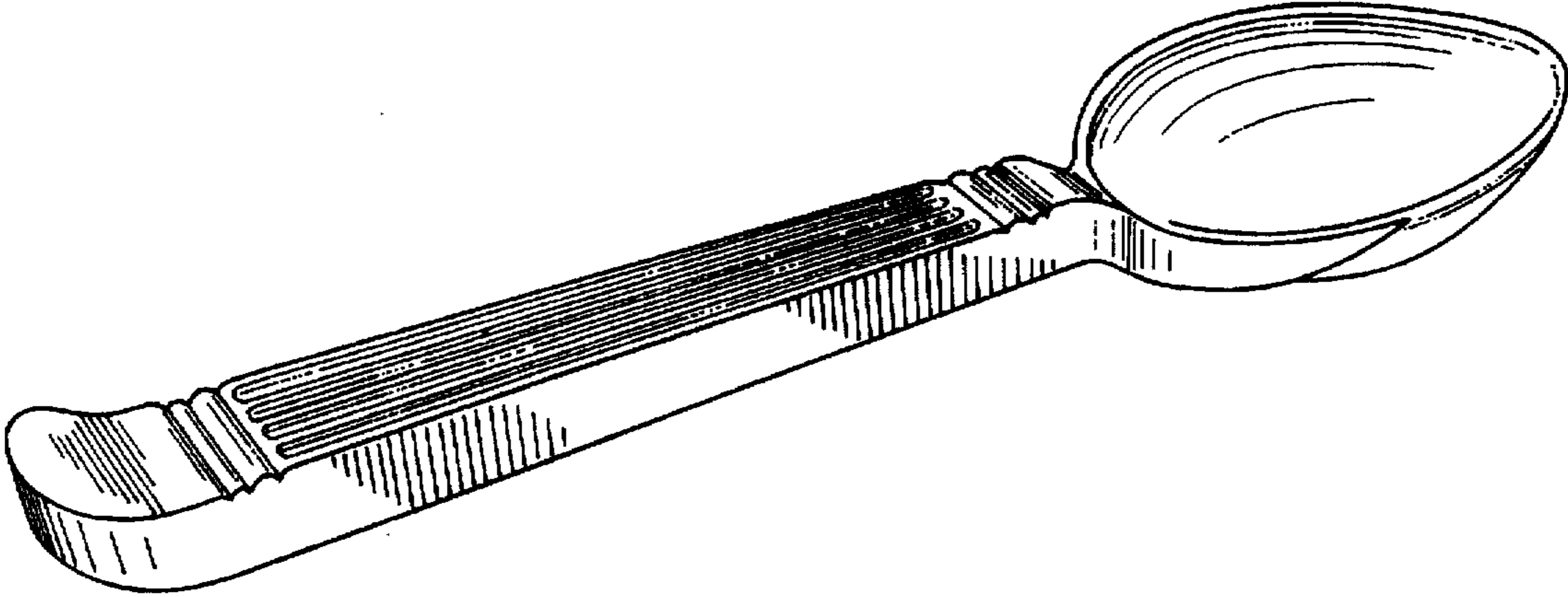


Fig. 6