

US00D393776S

United States Patent [19]
Kessler

[11] **Patent Number: Des. 393,776**

[45] **Date of Patent: **Apr. 28, 1998**

- [54] **UTENSIL**
- [75] **Inventor: William I. Kessler, Sheboygan, Wis.**
- [73] **Assignee: The Vollrath Company, L.L.C., Sheboygan, Wis.**
- [**] **Term: 14 Years**
- [21] **Appl. No.: 71,010**
- [22] **Filed: May 15, 1997**
- [51] **LOC (6) Cl. 07-03**
- [52] **U.S. Cl. D7/401.2; D7/642; D7/688; D8/107**
- [58] **Field of Search D7/395, 642, 688, D7/691, 693, 401.2, 393; D8/107; 7/167; 81/177.1, 177.3, 489; 16/110 R, 110 A, 114 A, 116 R, 118; 220/752, 912**

5,176,418	1/1993	Niu	294/7
5,228,201	7/1993	Atkins	30/322
5,491,869	2/1996	Sullivan et al.	15/245

OTHER PUBLICATIONS

Chef High Heat Scraper by Rubbermaid. Bar Code 86876 12288 (package wrapper) ©1994.

Primary Examiner—Caron D. Veynar
Attorney, Agent, or Firm—Foley & Lardner

[57] **CLAIM**

The ornamental design for a utensil, as shown and described.

DESCRIPTION

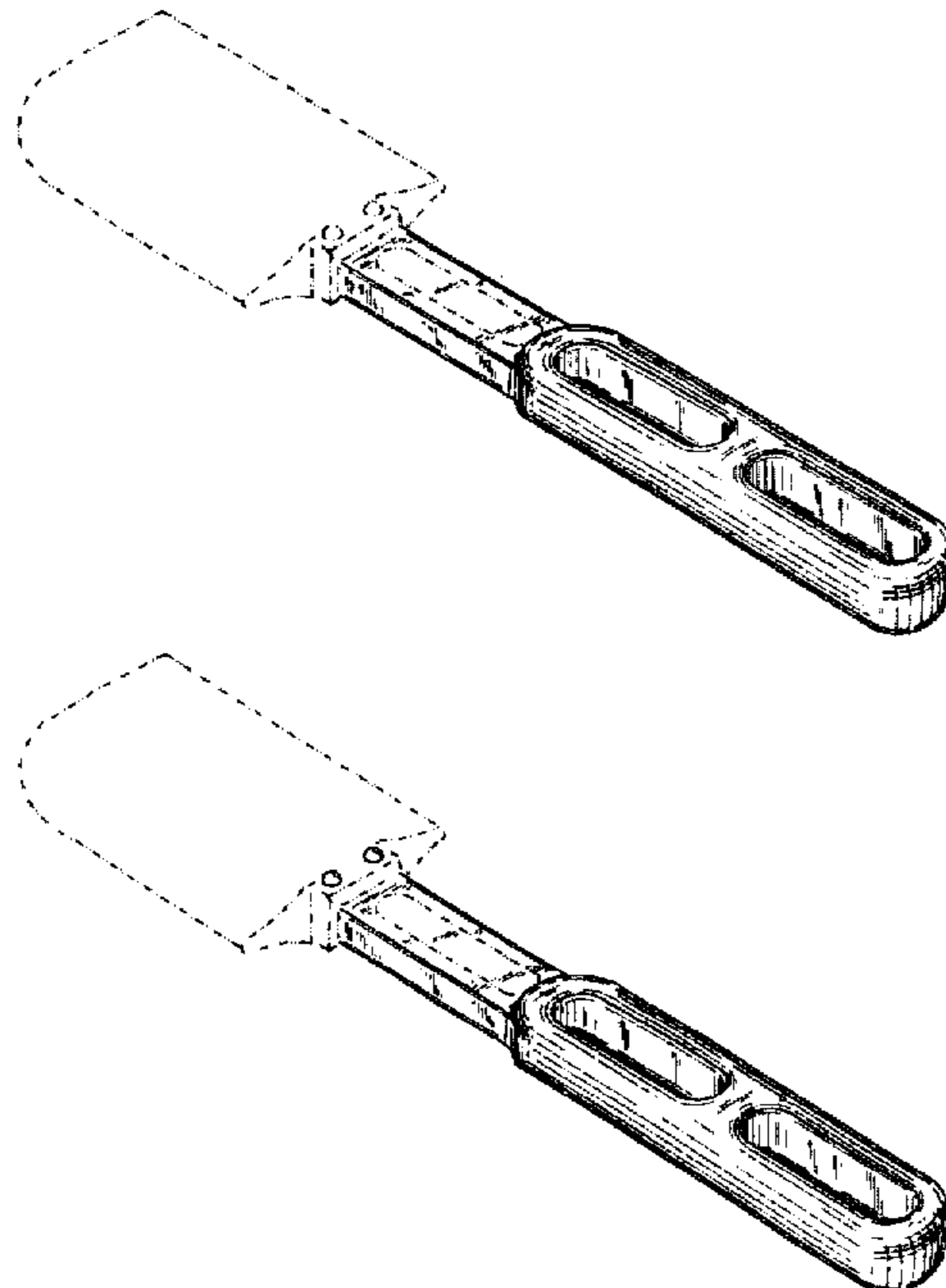
FIG. 1 is a top perspective view of a first embodiment of a utensil showing my new design;
 FIG. 2 is a top plan view thereof, the bottom plan view being a mirror image of the top view shown;
 FIG. 3 is a front elevational view thereof, the rear elevational view being a mirror image of the front elevational view shown;
 FIG. 4 is a left end elevational view thereof; and
 FIG. 5 is a right end elevational view thereof;
 FIG. 6 is a top perspective view of a second embodiment of my new design;
 FIG. 7 is a top plan view of the second embodiment, the bottom plan view being a mirror image of the top view shown;
 FIG. 8 is a front elevational view of the second embodiment, the rear elevational view being a mirror image of the front elevational view shown;
 FIG. 9 is a left end elevational view of the second embodiment; and,
 FIG. 10 is a right end elevational view of the second embodiment.
 The broken line showings in FIGS. 1-10 are for illustrative purposes only and form no part of the claimed design.

[56] **References Cited**

U.S. PATENT DOCUMENTS

D. 12,582	11/1881	Berger	D7/395
D. 157,677	3/1950	Hess	D7/395
D. 237,033	10/1975	Oppenheimer	D7/688
D. 273,076	3/1984	Bodfish	D7/395
D. 287,663	1/1987	Kelly	D7/395
D. 293,295	12/1987	Johnson	D7/688
D. 345,491	3/1994	Doxey	D7/401.2 X
D. 346,091	4/1994	Doxey	D7/401.2
D. 362,591	9/1995	Rosner	D7/401.2
D. 366,985	2/1996	Tu	D7/393 X
D. 368,205	3/1996	Rausch	D7/401.2
2,137,458	11/1938	Phelps	294/7 X
2,630,591	3/1953	Smith	294/7 X
2,765,190	10/1956	McAhren	294/7
2,964,773	12/1960	Pence	D7/688 X
3,906,632	9/1975	Oppenheimer	30/322
4,924,444	5/1990	Castellanos	366/343
5,144,106	9/1992	Kearns et al.	219/10.55 E

1 Claim, 4 Drawing Sheets



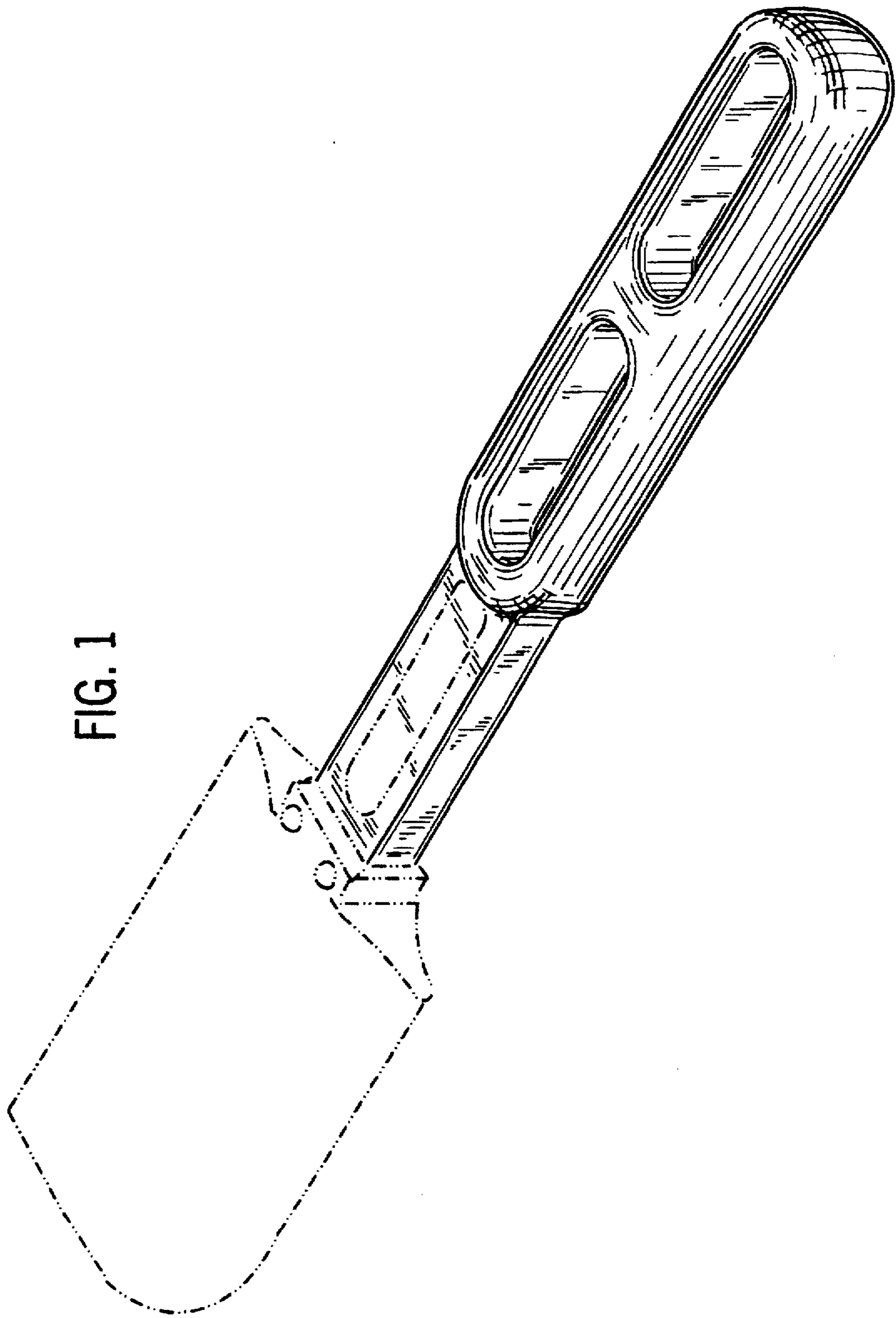
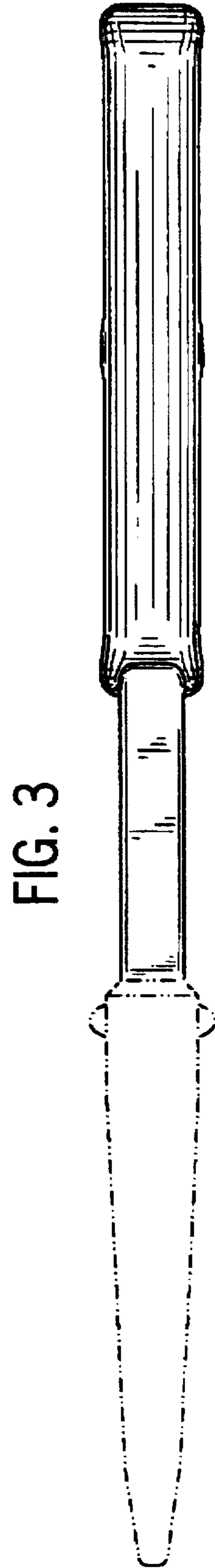
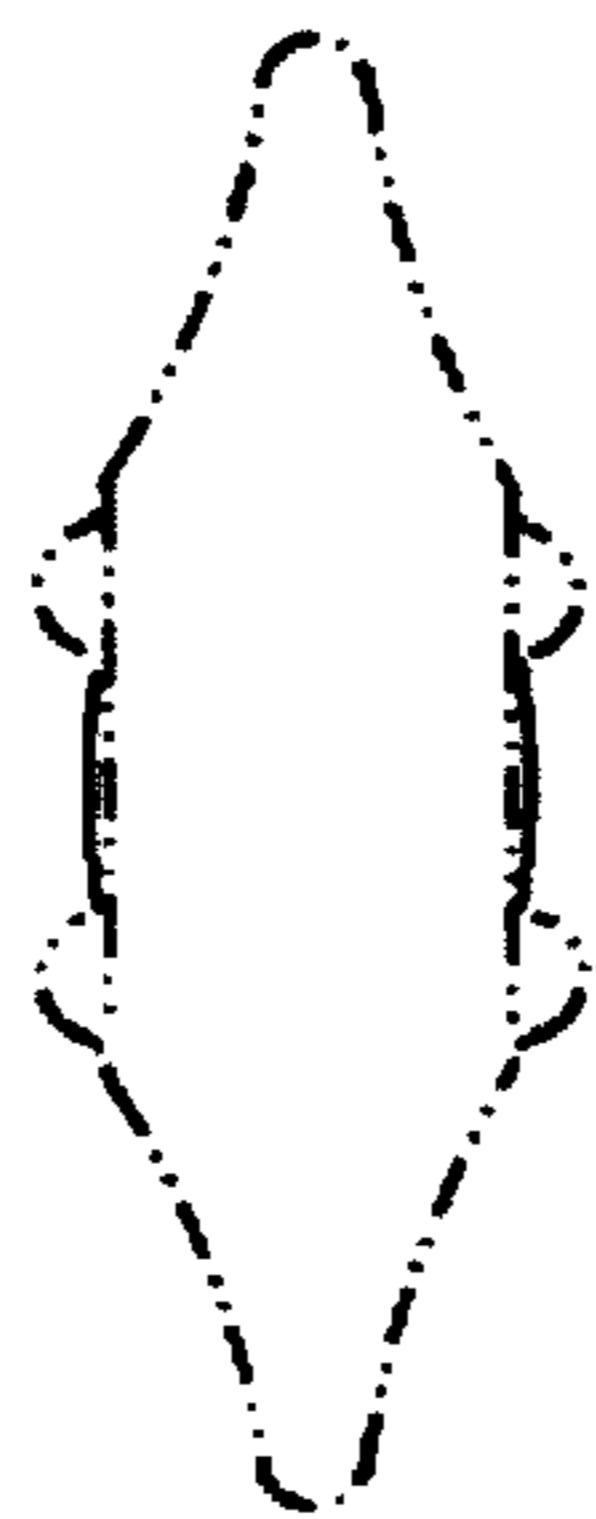
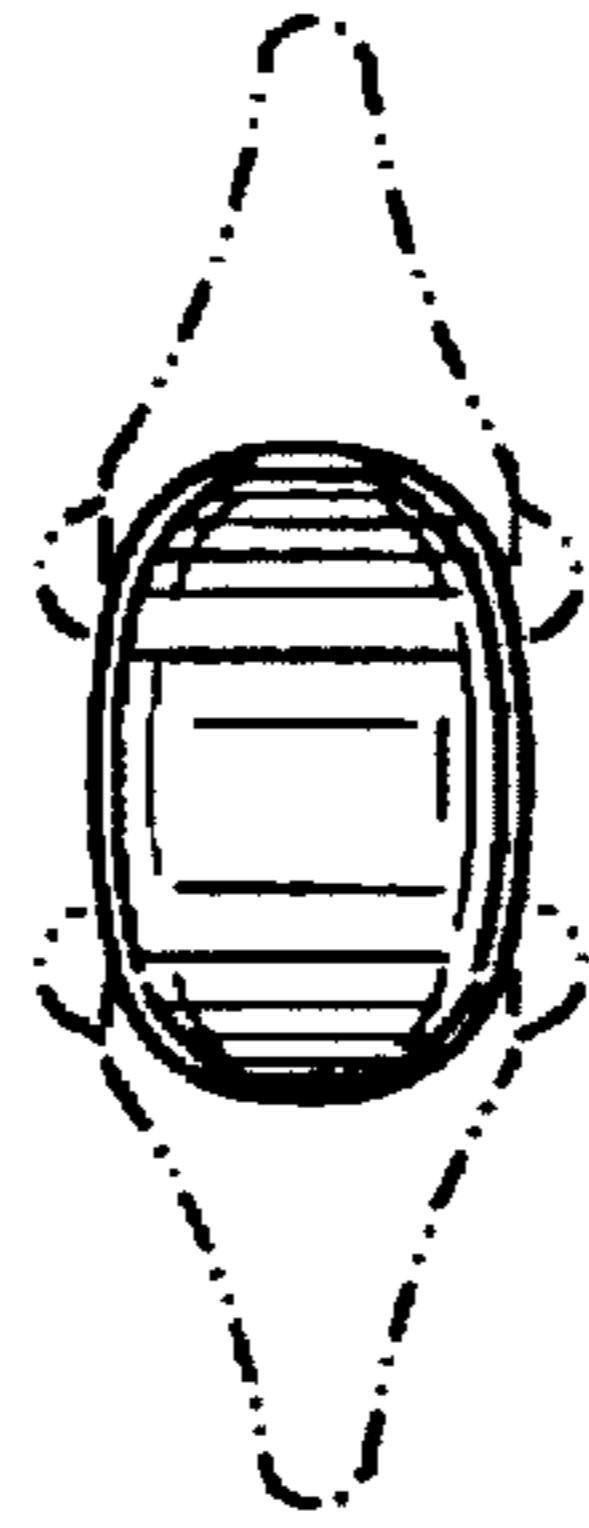
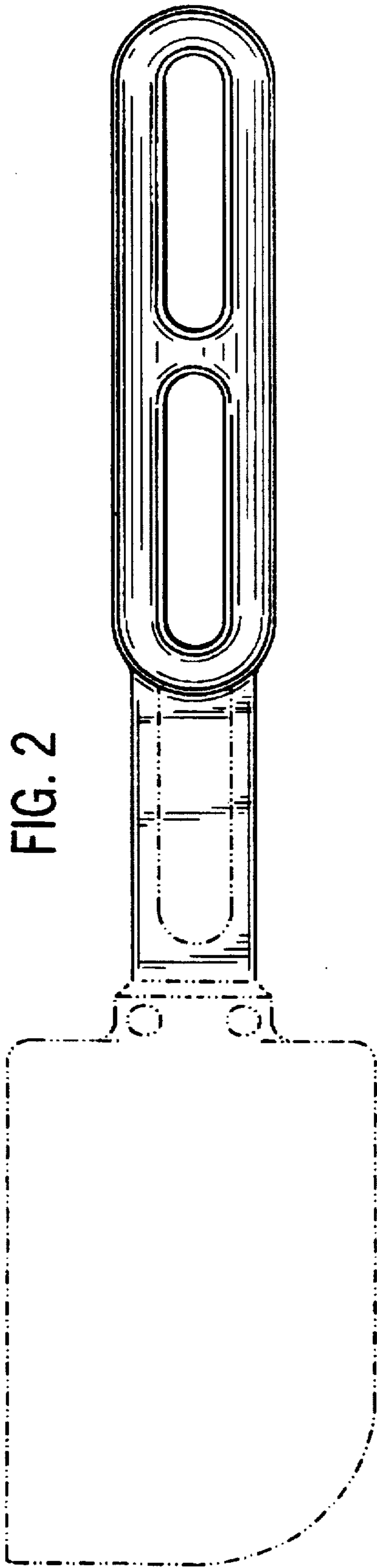


FIG. 1



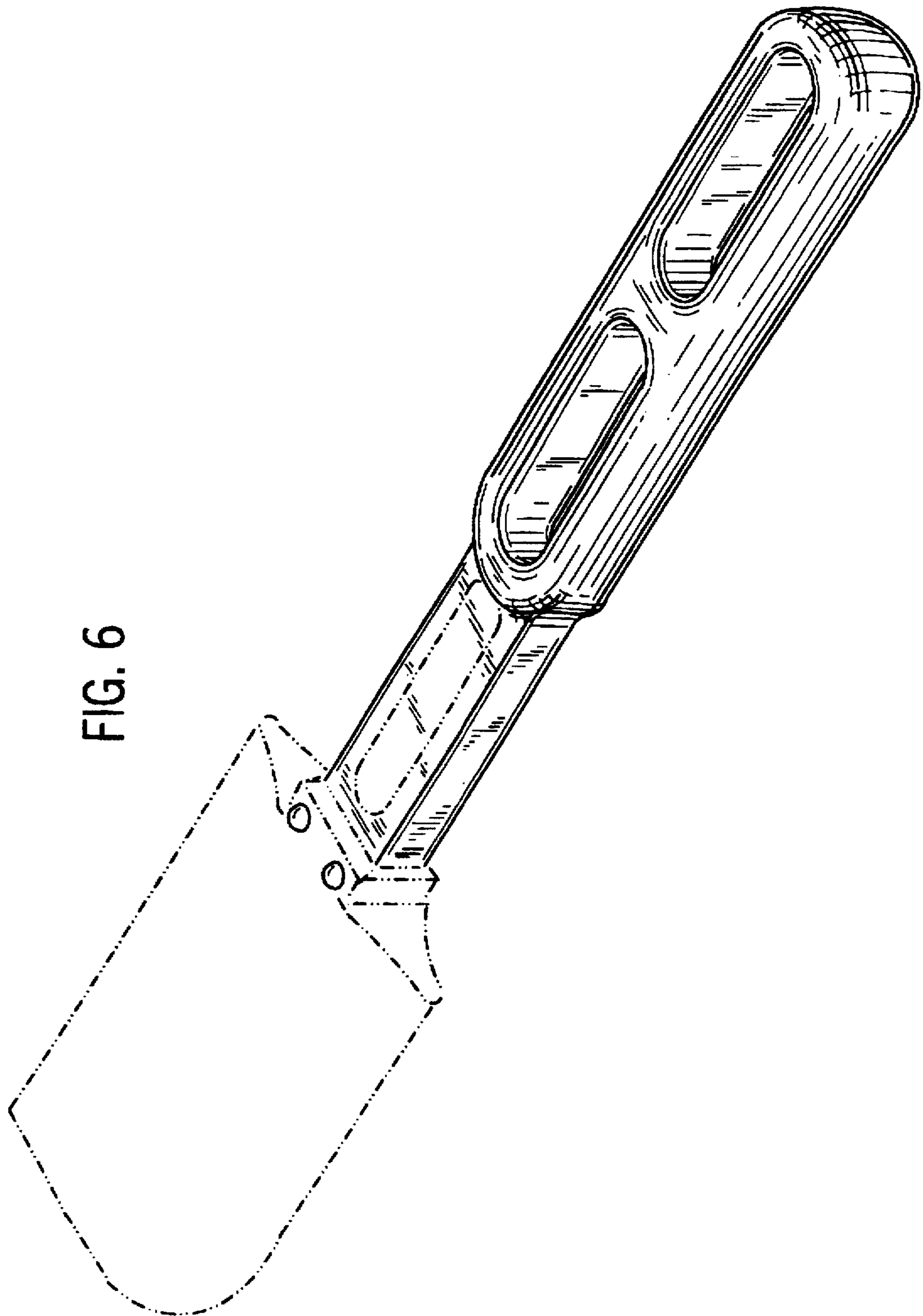


FIG. 6

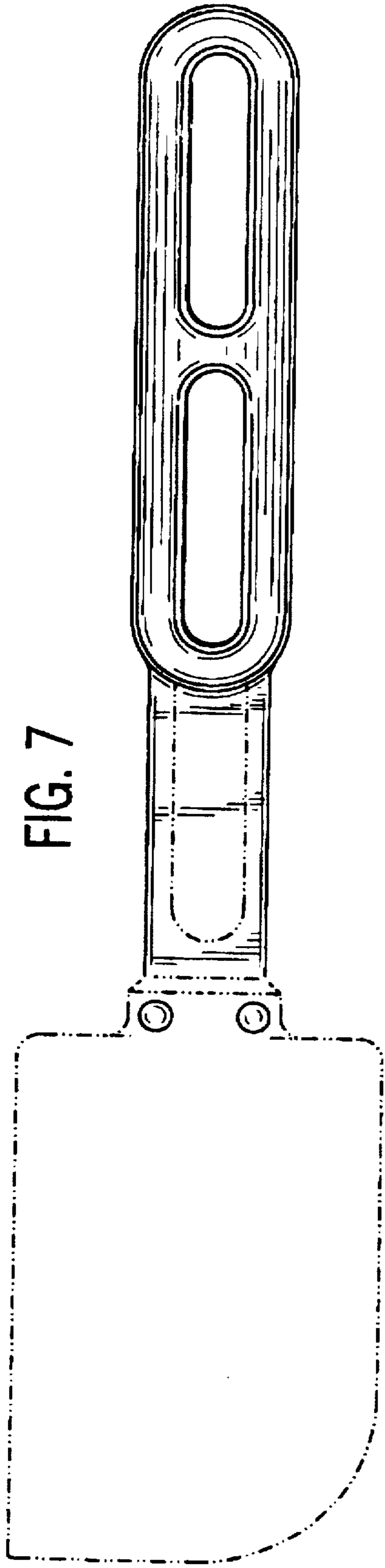


FIG. 7

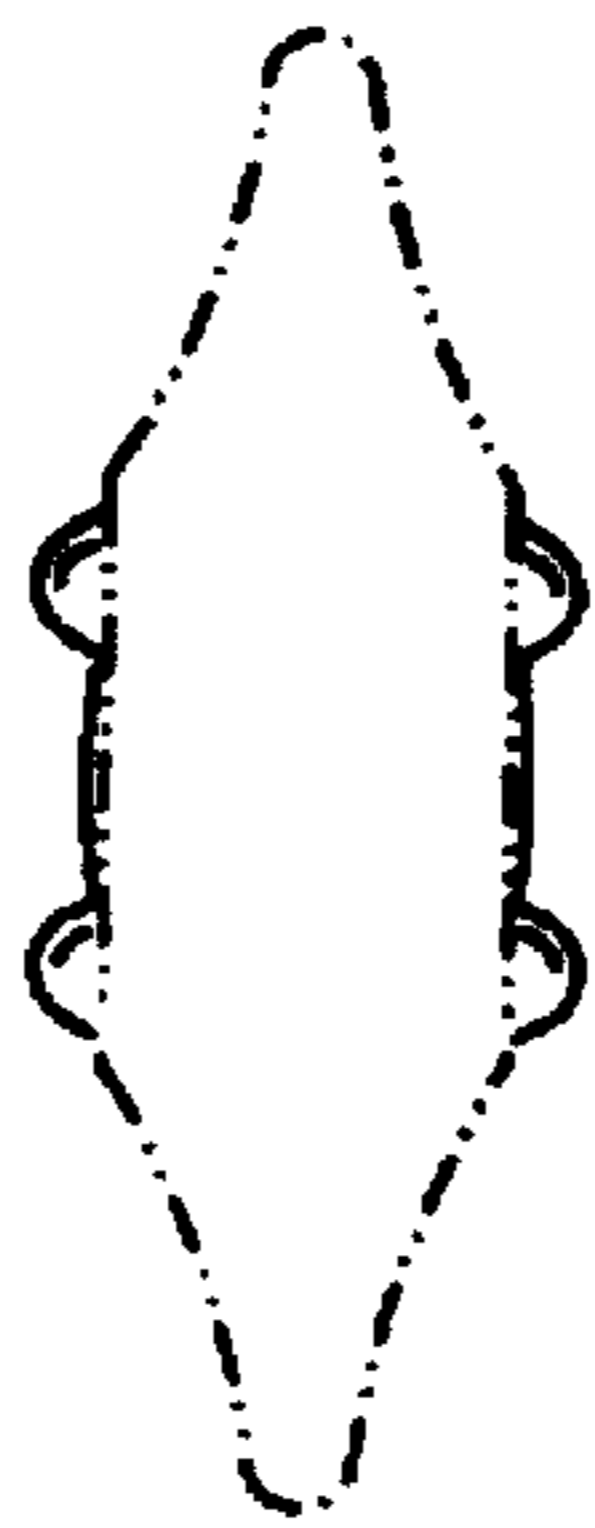


FIG. 9

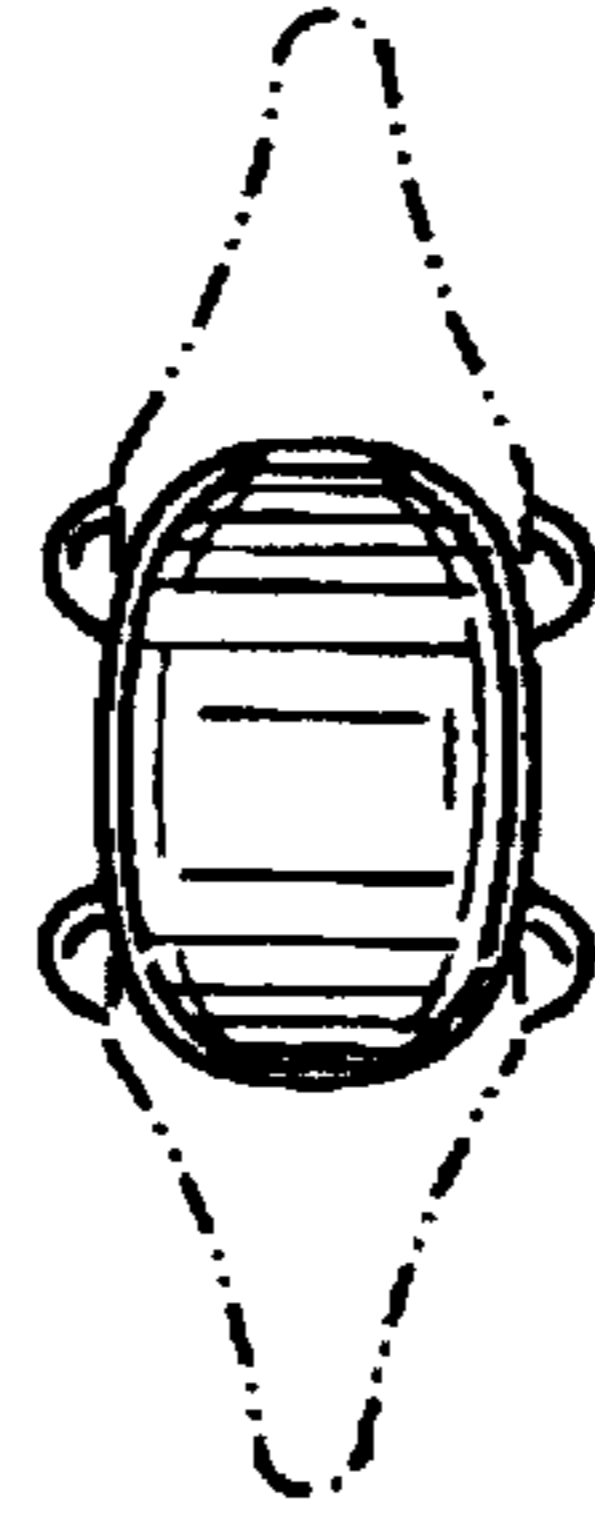


FIG. 10

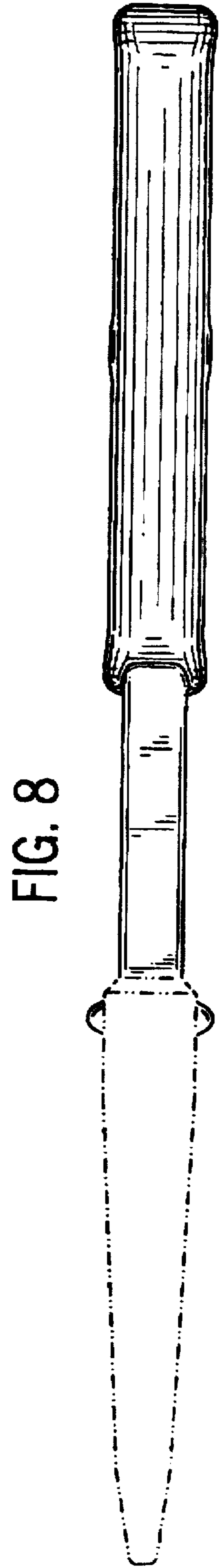


FIG. 8