

US00D393775S

# United States Patent [19]

Otero

[11] Patent Number: **Des. 393,775**

[45] Date of Patent: **\*\*Apr. 28, 1998**

[54] **CUSTARD MOLDS STAND, APPLICABLE IN MICROWAVE OVENS**

[75] Inventor: **Domingo Villar Otero, Vigo, Spain**

[73] Assignee: **Plasticos de Galicia S.A., Vigo, Spain**

[\*\*] Term: **14 Years**

[21] Appl. No.: **67,459**

[22] Filed: **Mar. 3, 1997**

[30] **Foreign Application Priority Data**

Feb. 3, 1997 [ES] Spain ..... 139301

[51] LOC (6) Cl. .... **07-02**

[52] U.S. Cl. .... **D7/357; D7/553; D7/557**

[58] Field of Search ..... D7/500, 549, 550, D7/552, 553, 554, 555, 557, 357, 672, 677; D9/341; D19/35, 36; 206/1.7-1.9, 557, 561-564

[56] **References Cited**

**U.S. PATENT DOCUMENTS**

D. 23,522 7/1894 Low ..... D19/35 X

D. 238,740	2/1976	Cone	.....	D7/553
D. 251,536	4/1979	Hansen	.....	D7/357
D. 252,066	6/1979	Jeambey	.....	D7/357
D. 269,935	8/1983	Powers	.....	D7/357
4,039,797	8/1977	Olsen	.....	D7/554 X
4,046,250	9/1977	Amezcu	.....	206/1.7

*Primary Examiner*—Caron D. Veynar  
*Attorney, Agent, or Firm*—Bucknam and Archer

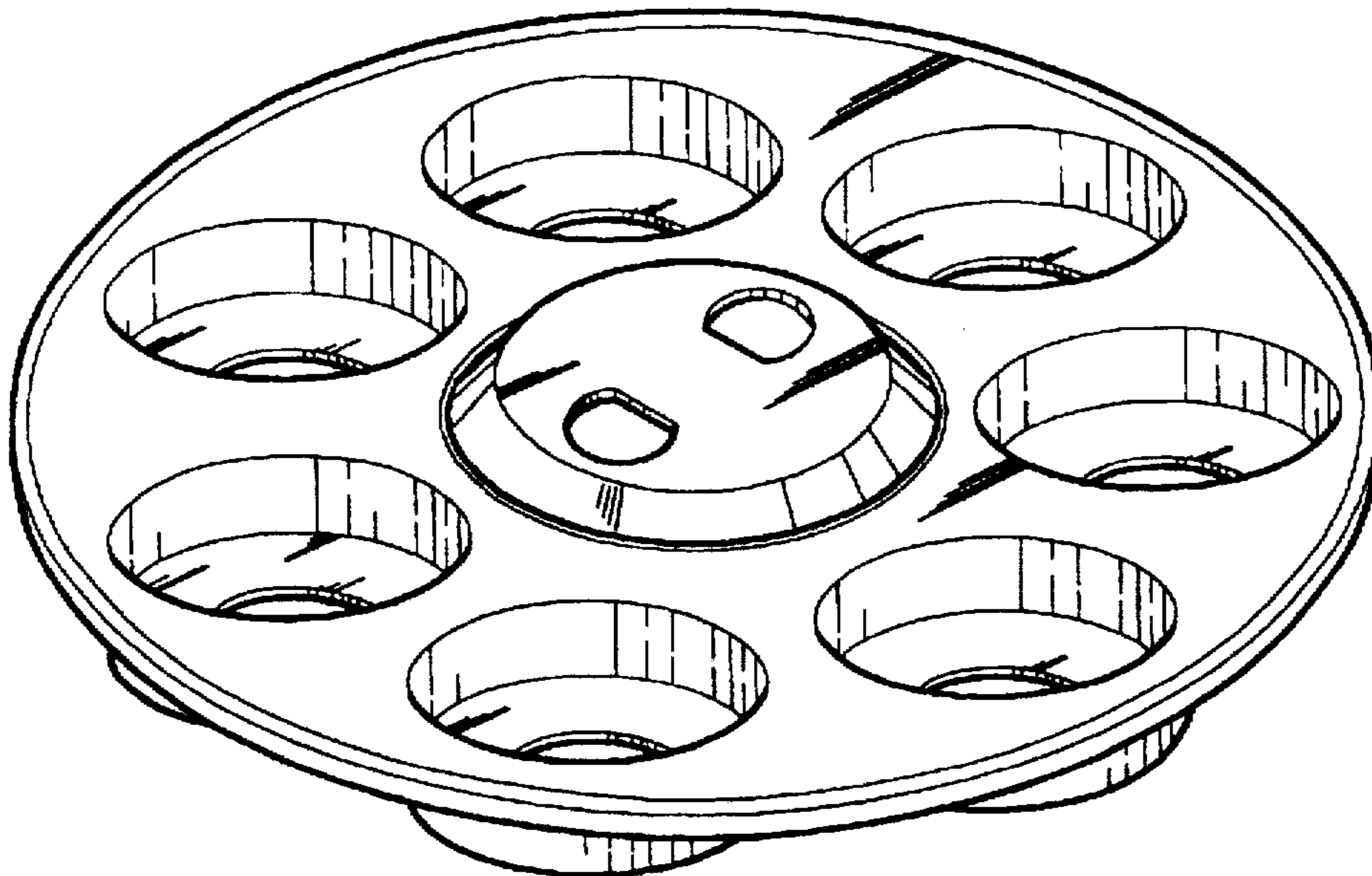
[57] **CLAIM**

The ornamental design of a custard molds stand, applicable in microwave ovens, as shown and described.

**DESCRIPTION**

FIG. 1 is a perspective view of a custard molds stand applicable in microwave ovens showing my new design; FIG. 2 is a side elevational view of the present invention drawn on a reduced scale; FIG. 3 is a top plan view of the present invention drawn on a reduced scale; and, FIG. 4 is a bottom plan view of the present invention drawn on a reduced scale.

**1 Claim, 2 Drawing Sheets**



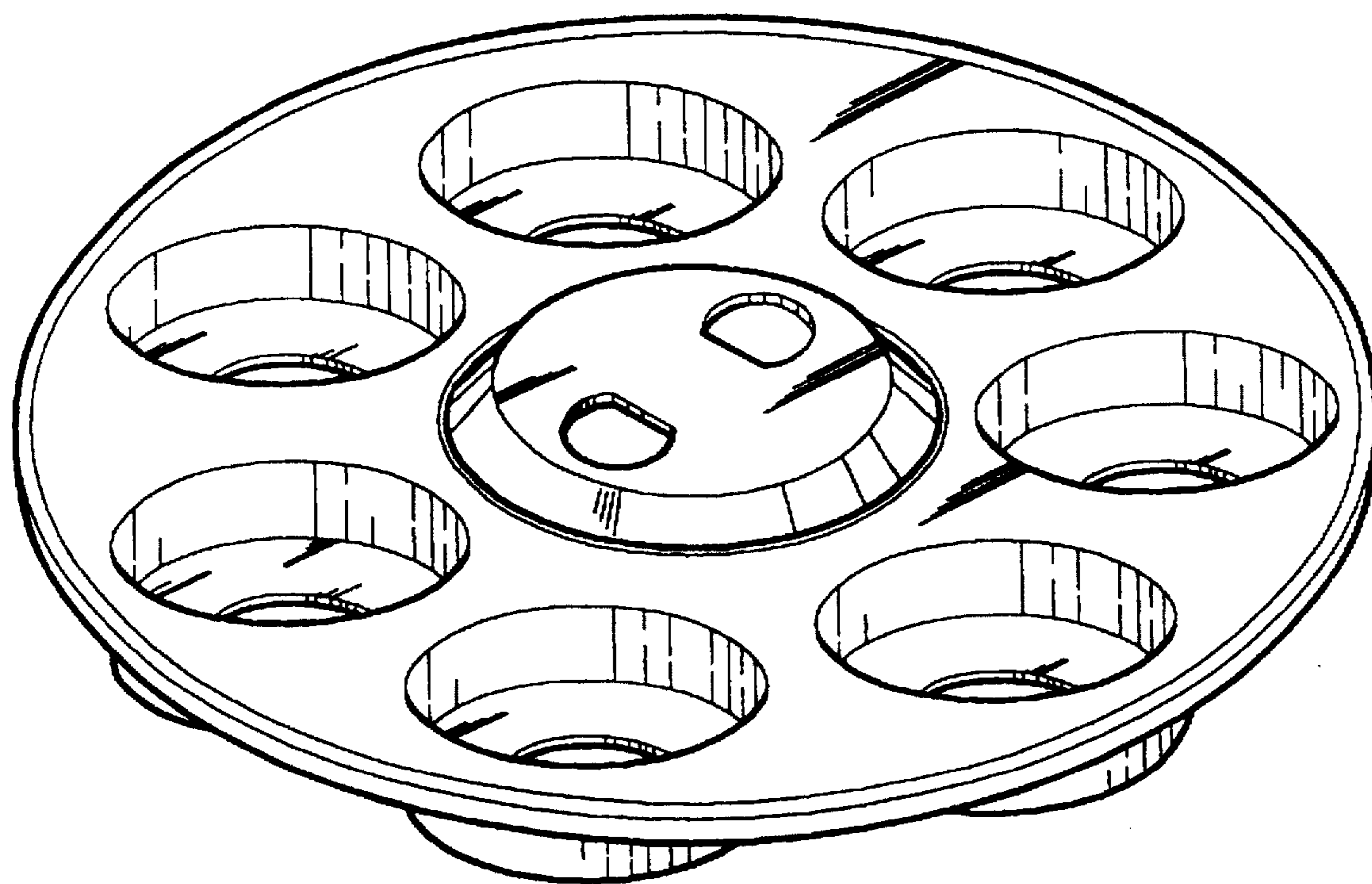


FIG. 1



FIG. 2

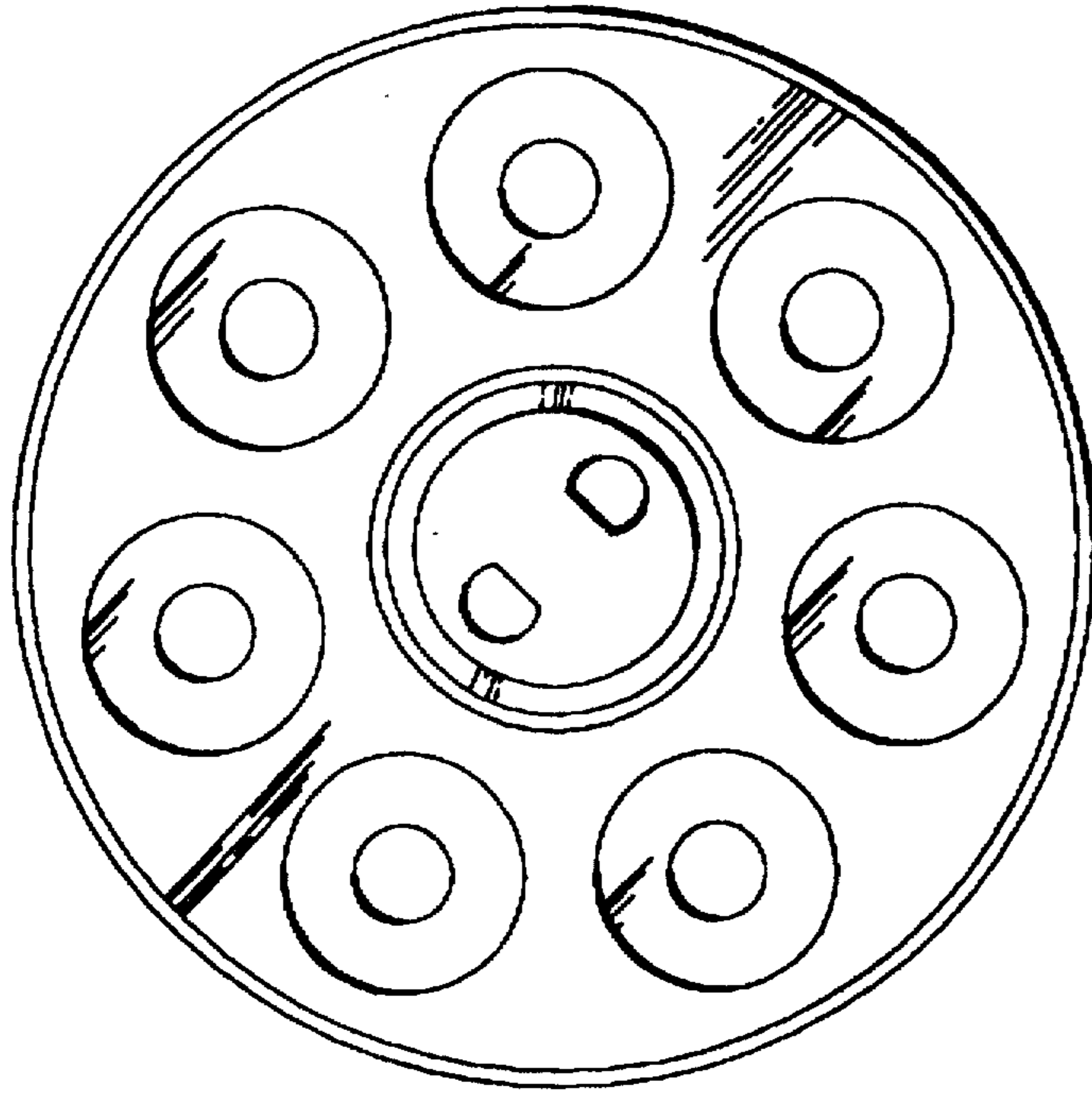


FIG. 3

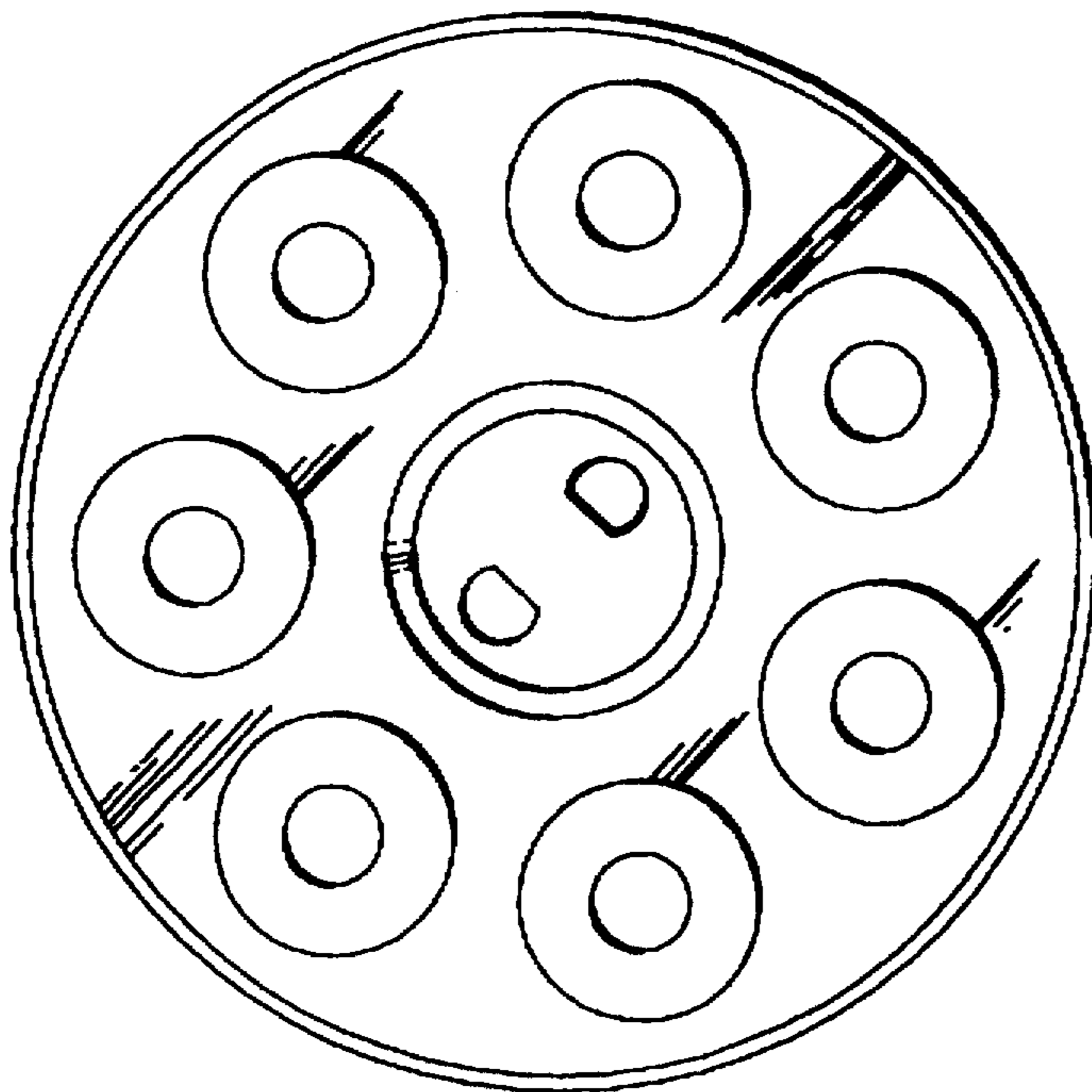


FIG. 4