



US00D393771S

United States Patent [19]
Saffels

[11] **Patent Number: Des. 393,771**

[45] **Date of Patent: **Apr. 28, 1998**

[54] **WINDOW CORNICE**

[76] **Inventor: Lawrence C. Saffels, 3310 Gloria Ave.,
Plant City, Fla. 33567**

[**] **Term: 14 Years**

[21] **Appl. No.: 57,600**

[22] **Filed: Jul. 29, 1996**

[51] **LOC (6) Cl. 06-10**

[52] **U.S. Cl. D6/579**

[58] **Field of Search D6/575-580; 160/19,
160/21, 32-34, 38, 39; D23/404; 52/36.3,
211, 212, 85, 86; D25/55, 60**

[56] **References Cited**

U.S. PATENT DOCUMENTS

D. 108,009	1/1938	Baum	D6/580
132,941	11/1872	Watson	160/38
238,527	3/1881	Replogle	160/38
D. 346,663	5/1994	McKnight	.	
4,301,632	11/1981	Wagner	52/211
4,644,991	2/1987	Boyd	.	
5,042,548	8/1991	Atlal	.	

5,042,549 8/1991 Roberts .

5,062,463 11/1991 Peters .

5,159,965 11/1992 Roy .

5,383,508 1/1995 Pavlica et al. 160/38

Primary Examiner—James Gandy

Assistant Examiner—Linda Brooks

Attorney, Agent, or Firm—Robert M. Paine, Esq.

[57] **CLAIM**

The ornamental design for a window cornice, as shown and described.

DESCRIPTION

FIG. 1 is a perspective view of a window cornice showing my new design;

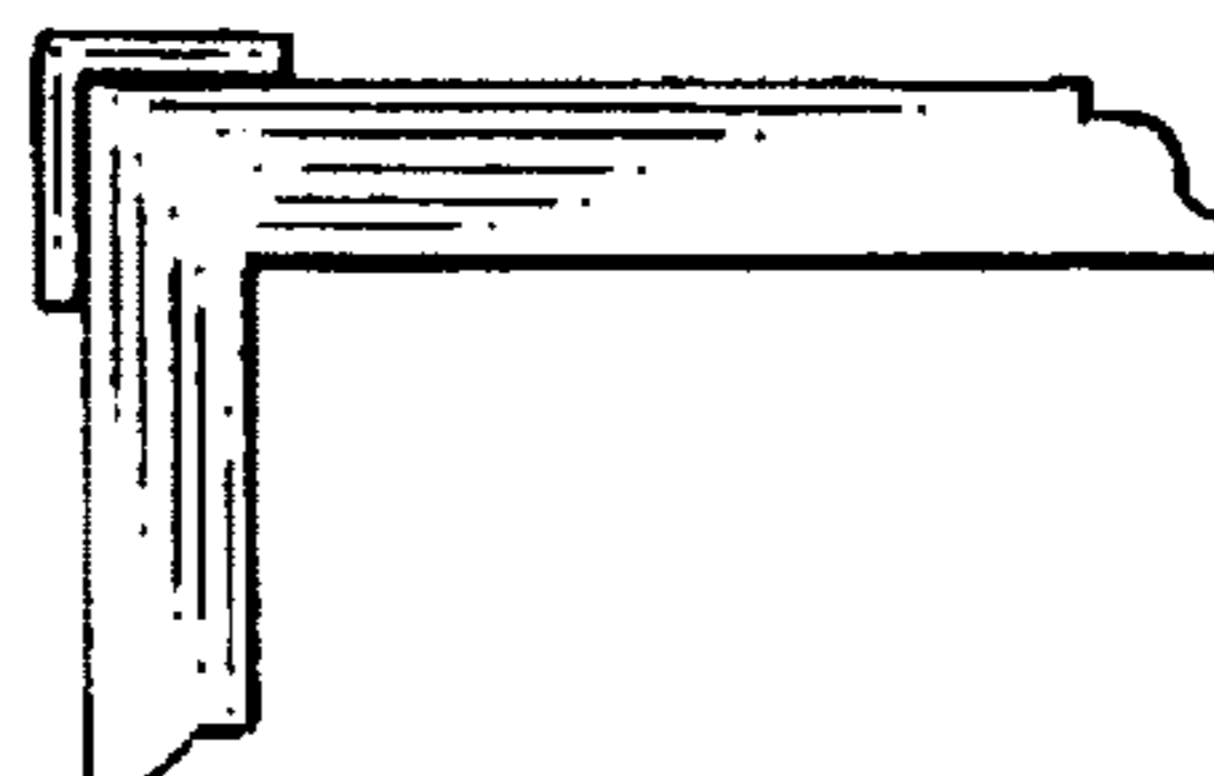
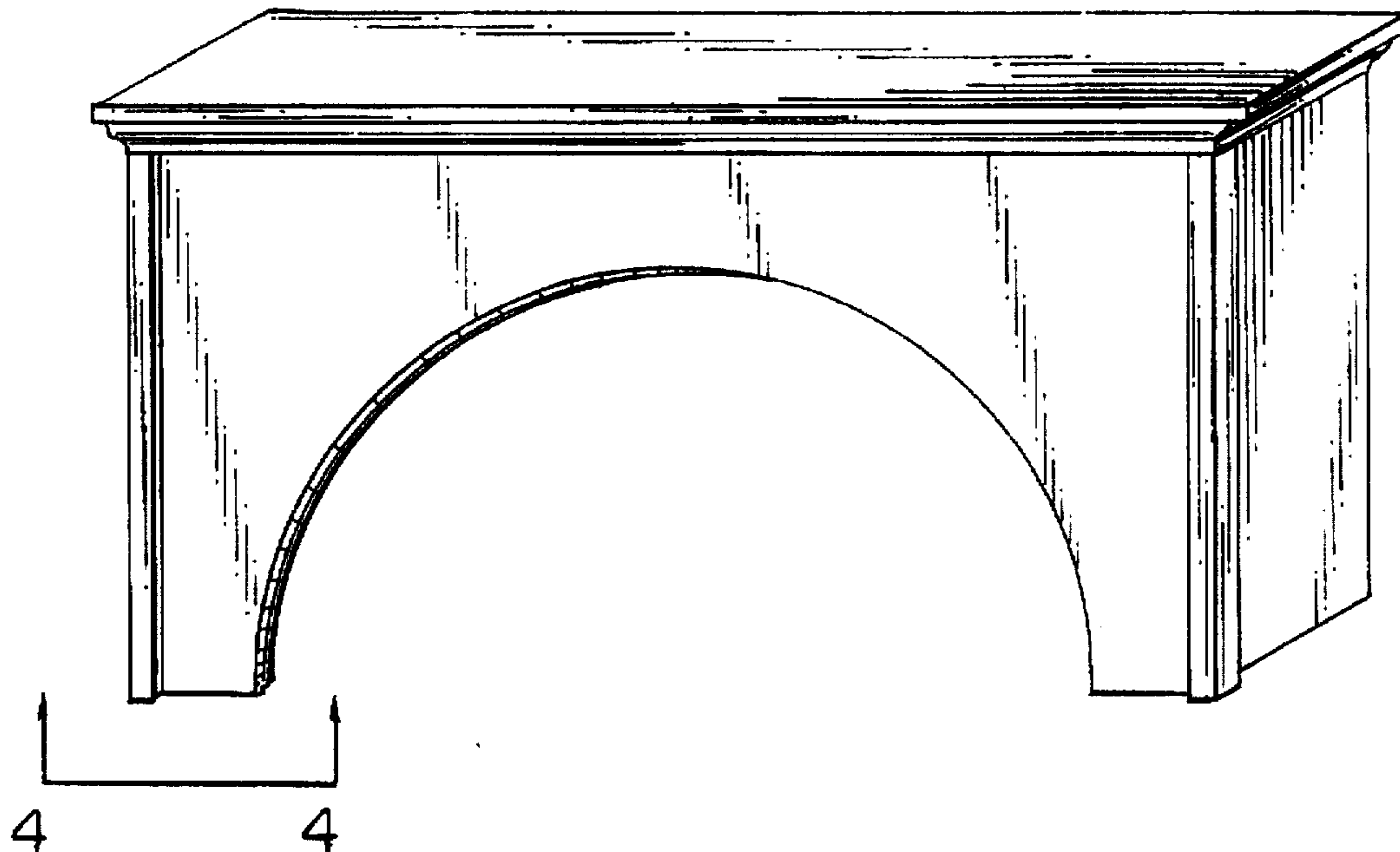
FIG. 2 is a front elevational view thereof on a reduced scale;

FIG. 3 is a side elevational view of FIG. 2, the opposite side being a mirror image; and,

FIG. 4 is an enlarged fragmentary view of the bottom of the window cornice taken along line 4—4 in FIG. 1.

The rear of the window cornice forms no part of the claimed design.

1 Claim, 1 Drawing Sheet



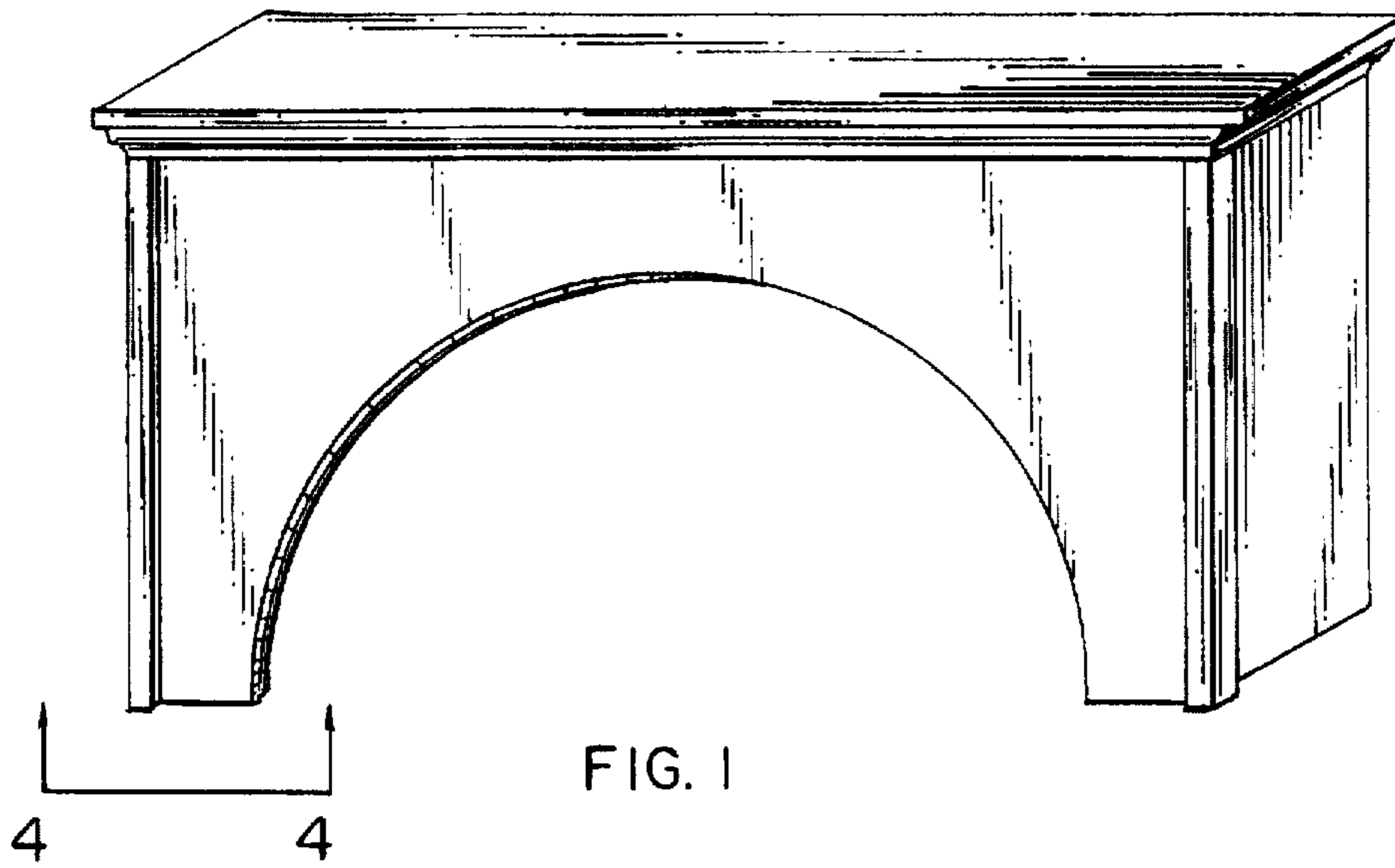


FIG. 1

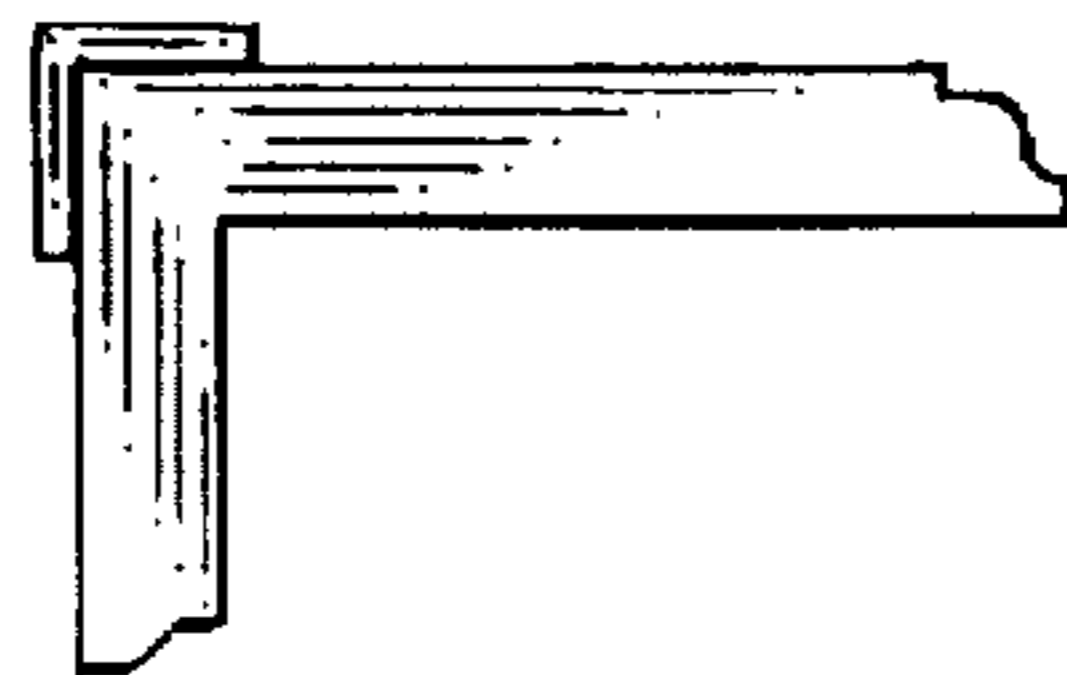


FIG. 4

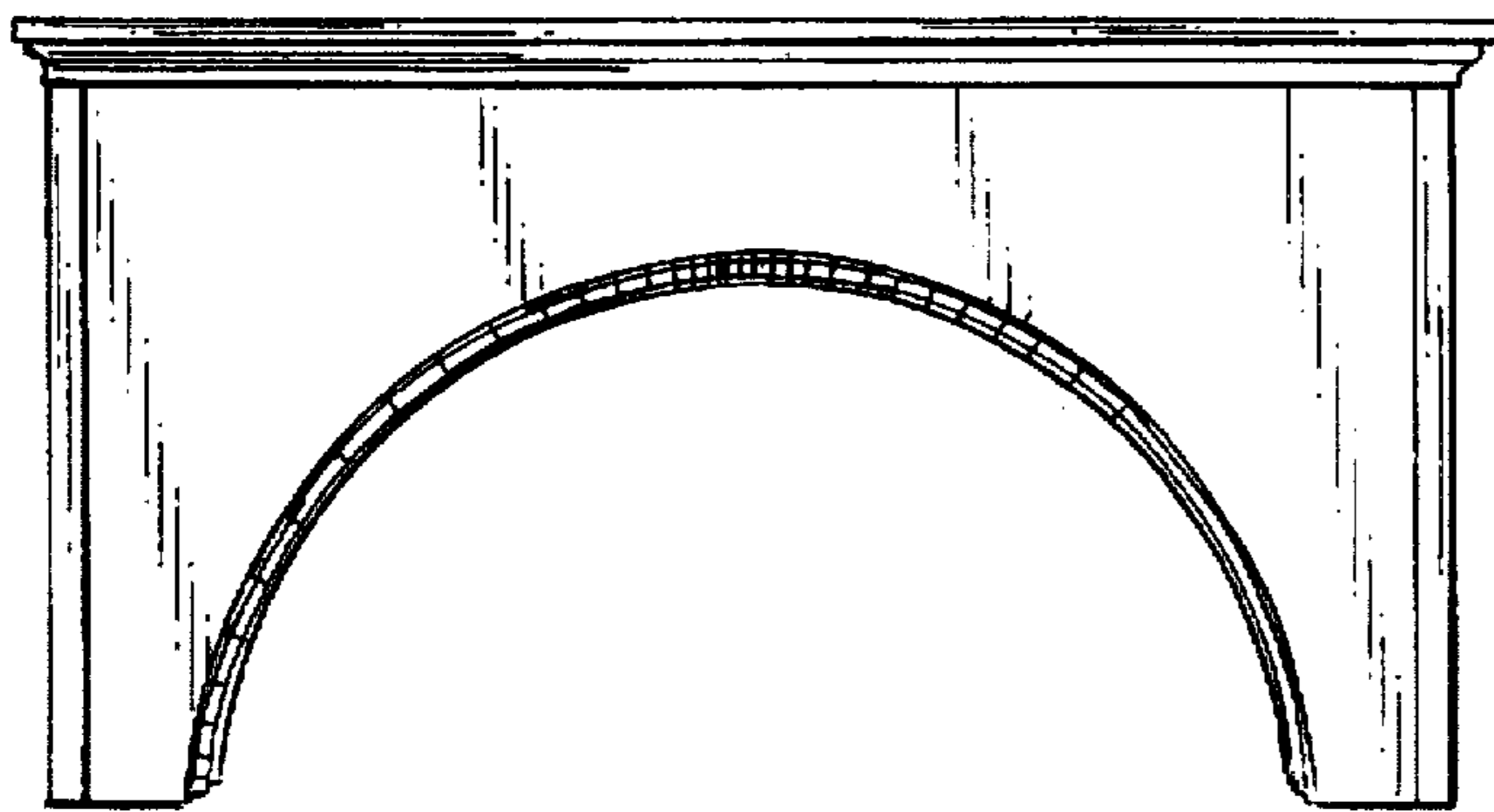


FIG. 2

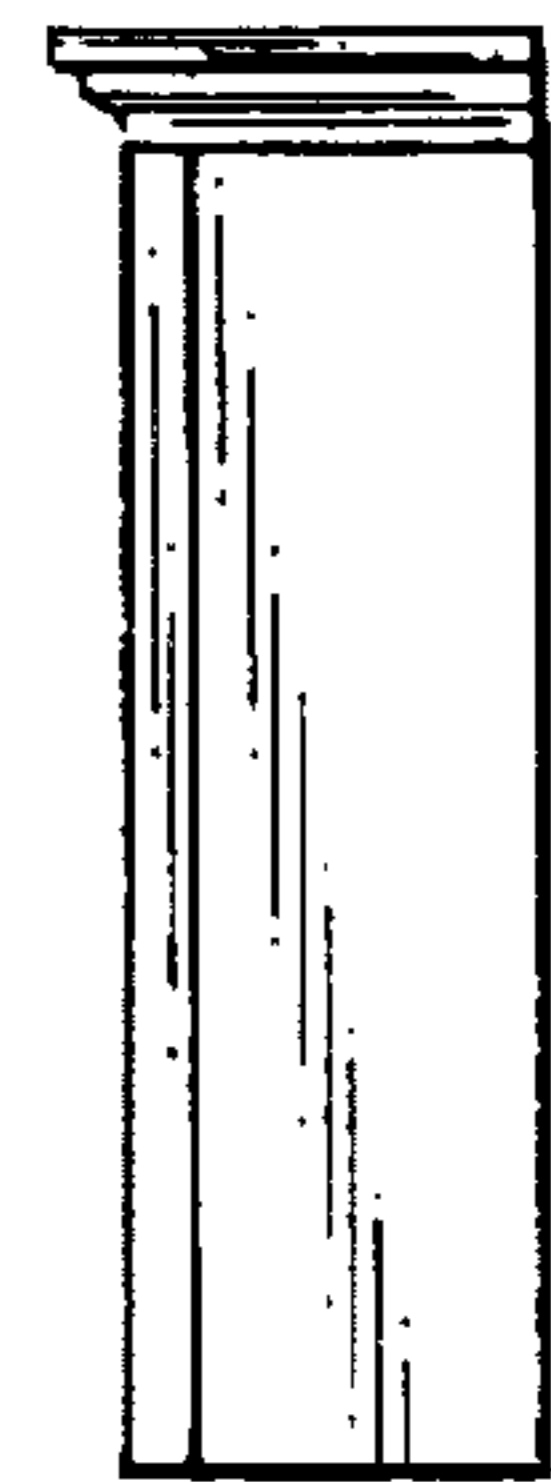


FIG. 3