



US00D393768S

United States Patent [19]

Mervar et al.

[11] Patent Number: Des. 393,768

[45] Date of Patent: **Apr. 28, 1998

[54] SEAT COVER DISPENSER

[75] Inventors: Robert Mervar, Hillsboro, Oreg.;
Ronald Vish, Somerville, Mass.;
Manoj Mistry, Leicester, United Kingdom

[73] Assignee: James River Corporation of Virginia,
Richmond, Va.

[**] Term: 14 Years

[21] Appl. No.: 60,898

[22] Filed: Oct. 10, 1996

[51] LOC (6) Cl. 07-07

[52] U.S. Cl. D6/518

[58] Field of Search D6/515, 518, 522,
D6/523; 312/34.1, 34.4, 34.8, 34.24; 222/173

[56] References Cited

U.S. PATENT DOCUMENTS

D. 167,890 10/1952 Hallward D6/518

D. 214,199 5/1969 Perrin D6/512
D. 332,193 1/1993 Petterson et al. D6/518
D. 332,889 2/1993 Hines D6/518
2,433,587 12/1947 Wentowrth 312/34.1 X

Primary Examiner—Brian N. Vinson
Attorney, Agent, or Firm—Thomas R. Lampe

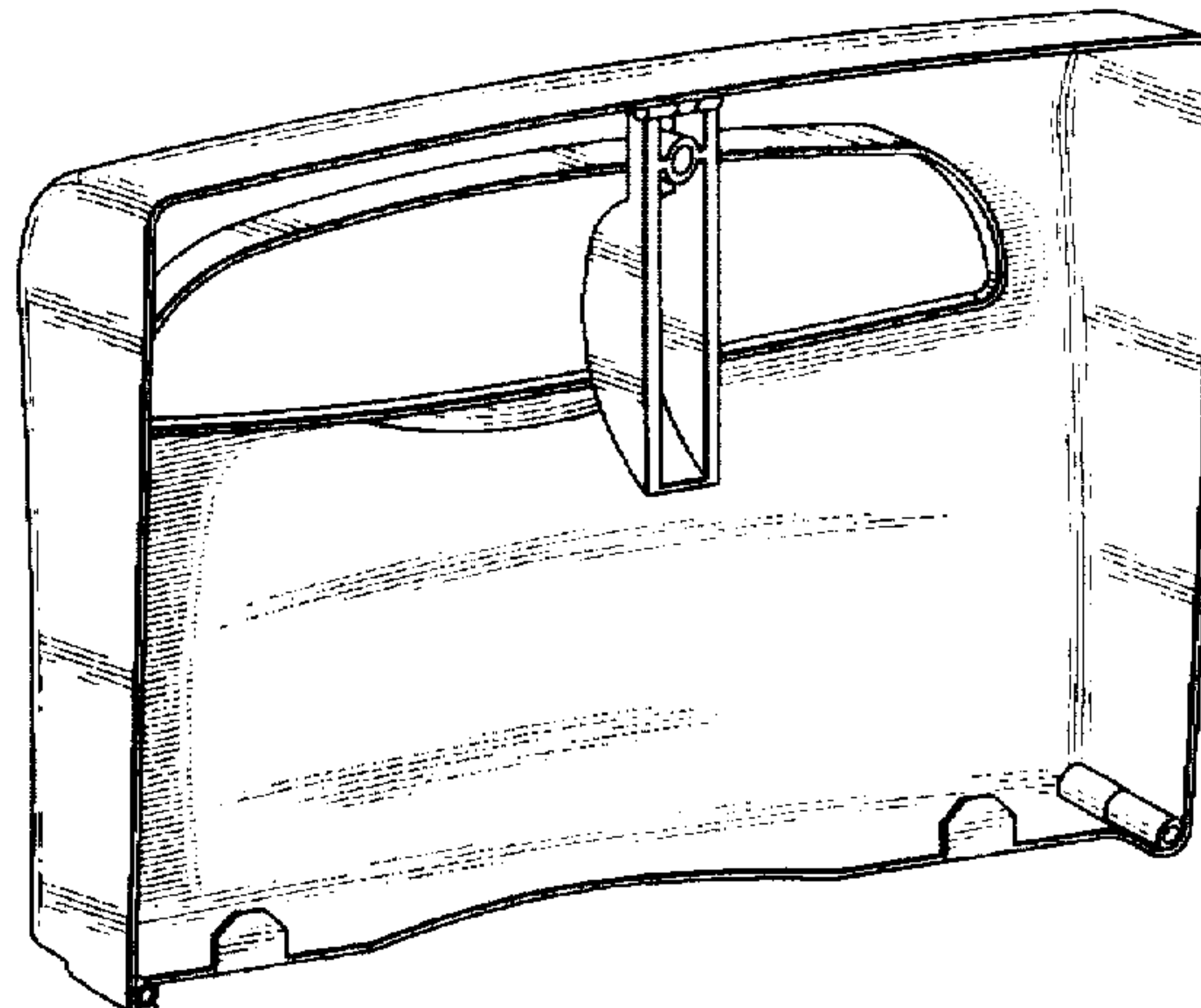
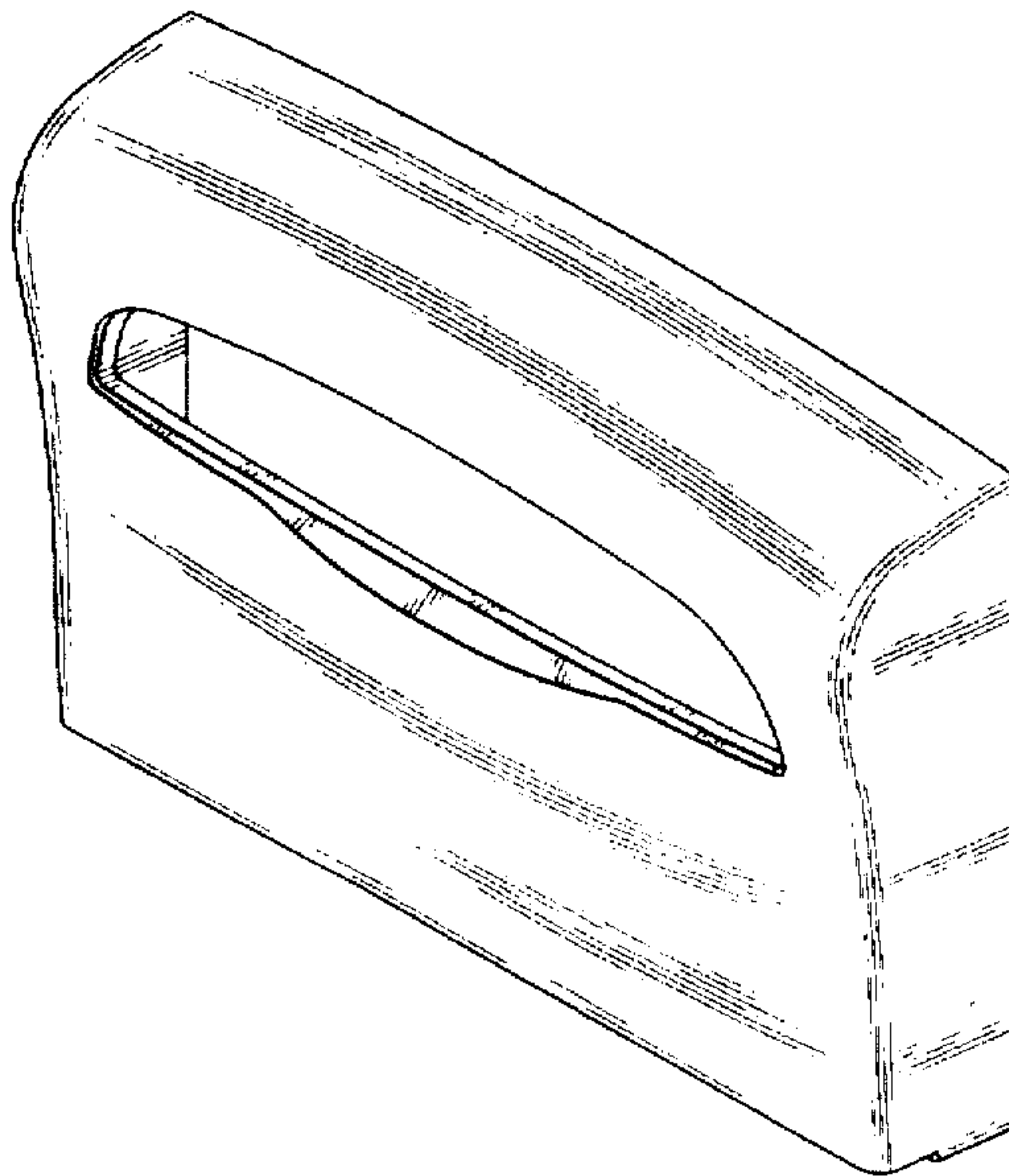
[57] CLAIM

The ornamental design for seat cover dispenser, as shown and described.

DESCRIPTION

FIG. 1 is a front perspective view of seat cover dispenser showing our design;
FIG. 2 is a back perspective view thereof;
FIG. 3 is a front elevation view thereof;
FIG. 4 is a rear elevation view thereof;
FIG. 5 is a top plan view thereof;
FIG. 6 is a right side view thereof; the left side view being a mirror image; and,
FIG. 7 is a bottom plan view thereof.

1 Claim, 3 Drawing Sheets



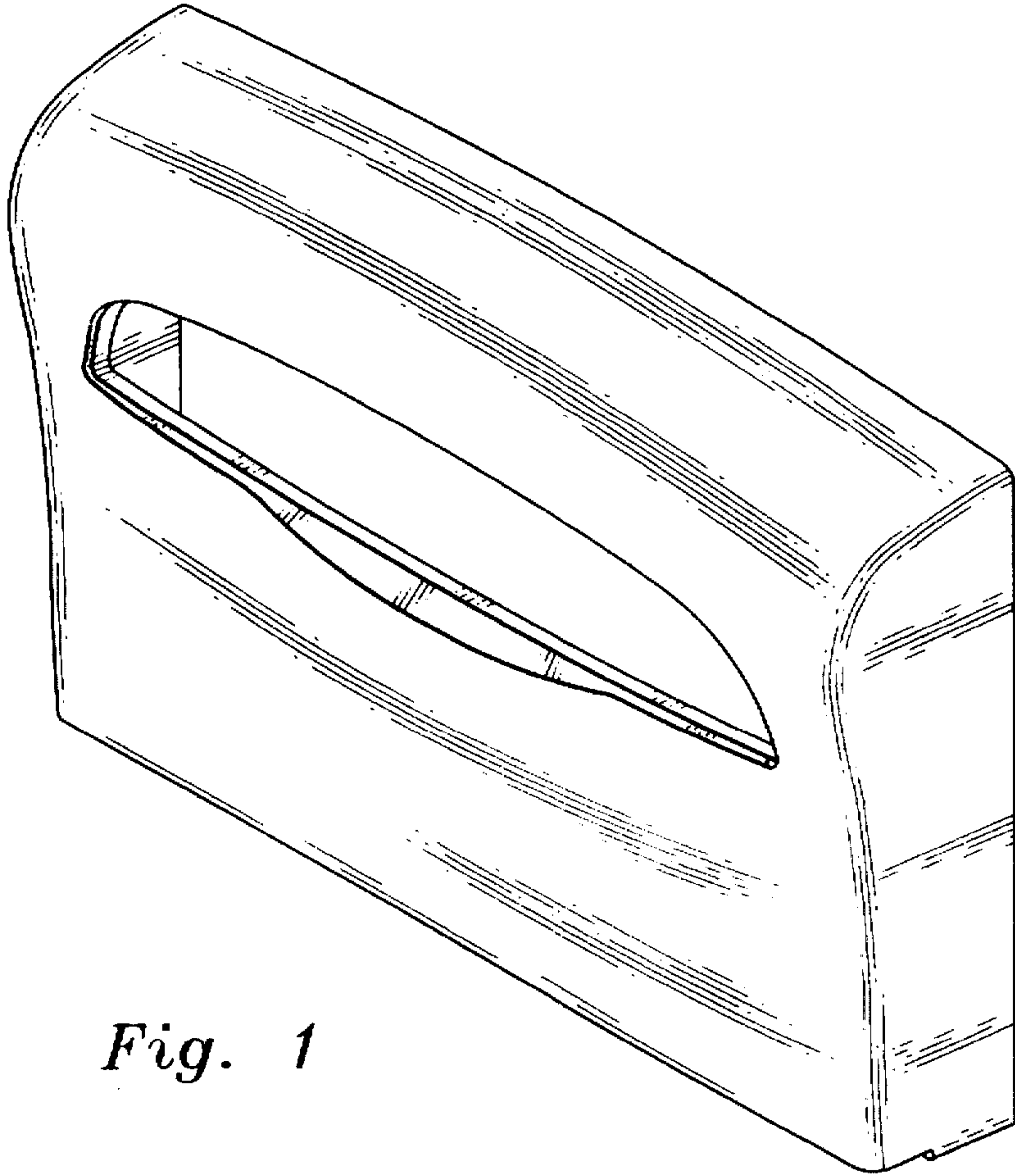


Fig. 1

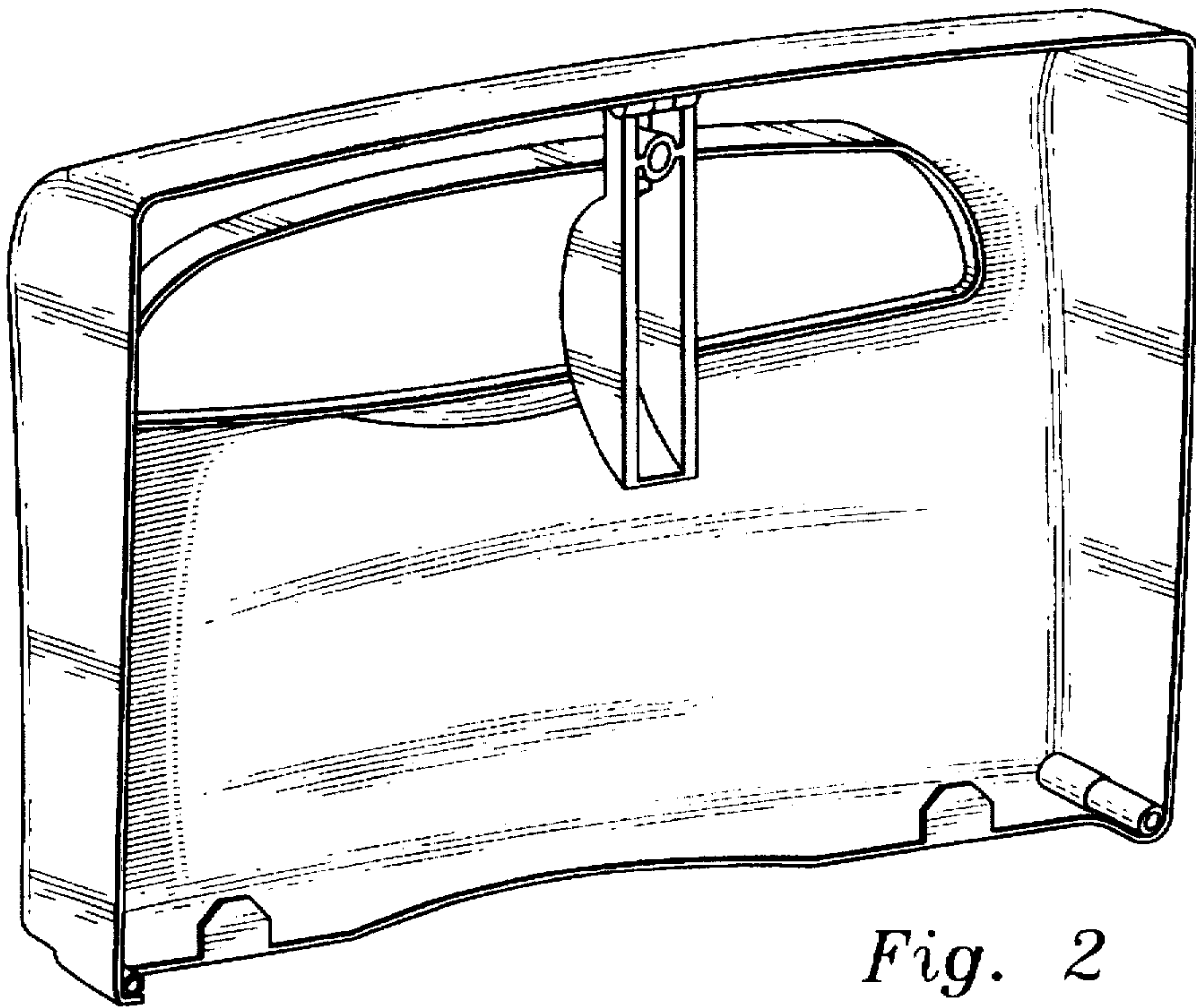


Fig. 2

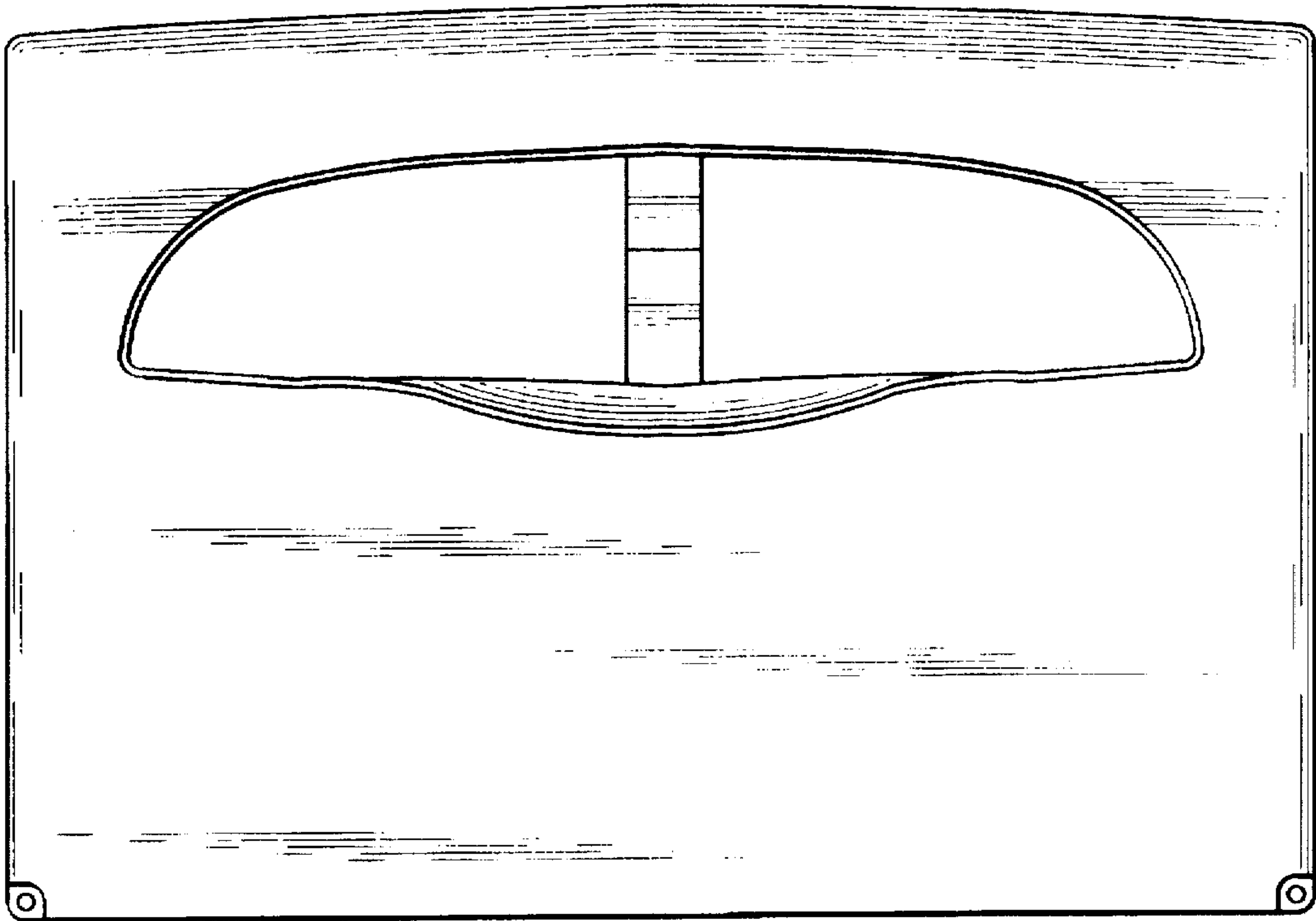


Fig. 3

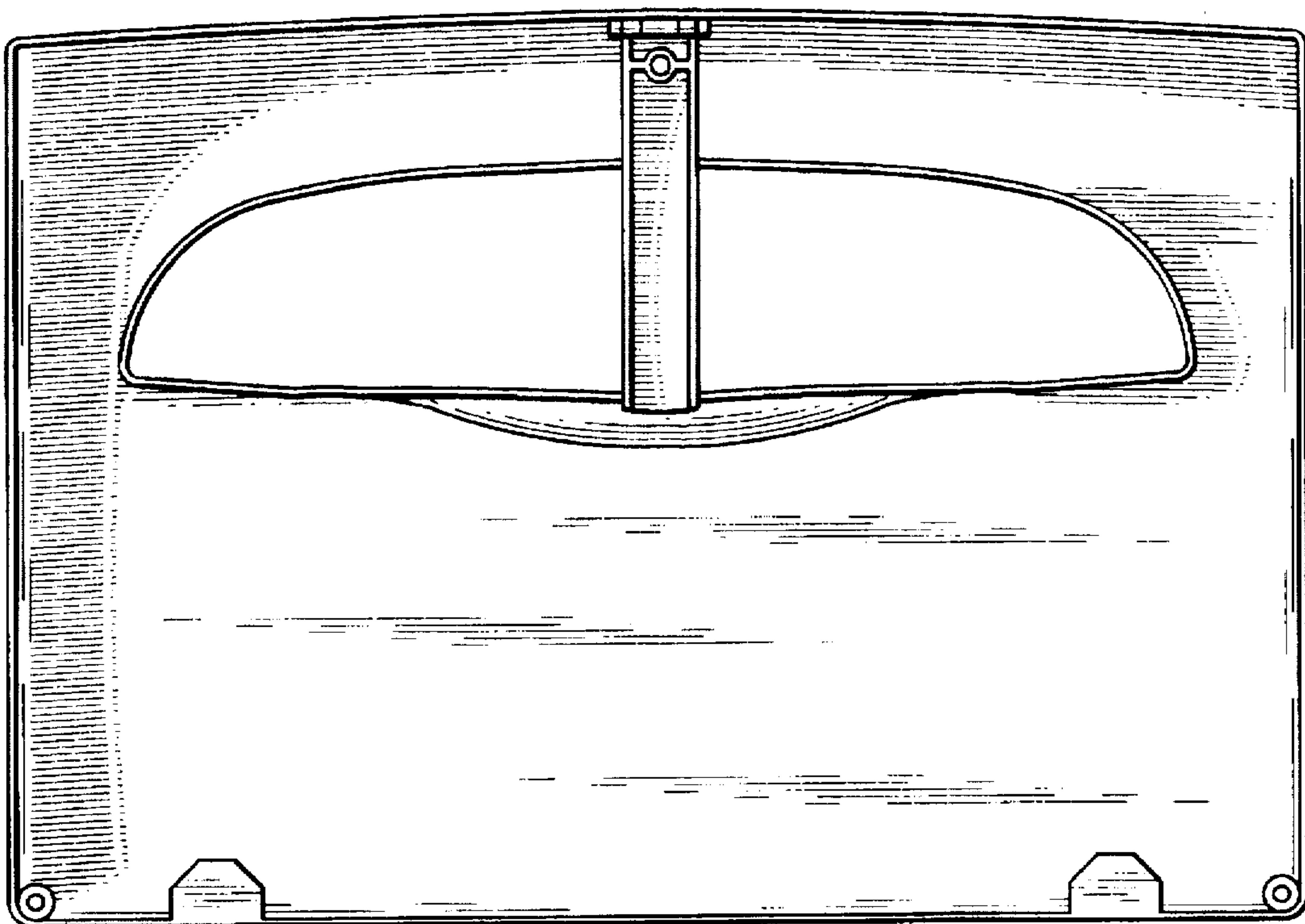


Fig. 4

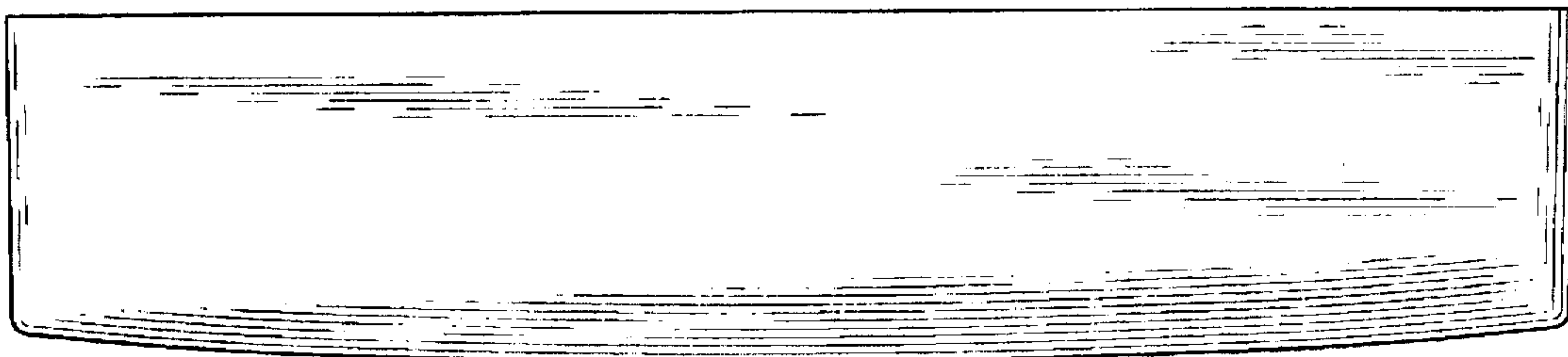


Fig. 5

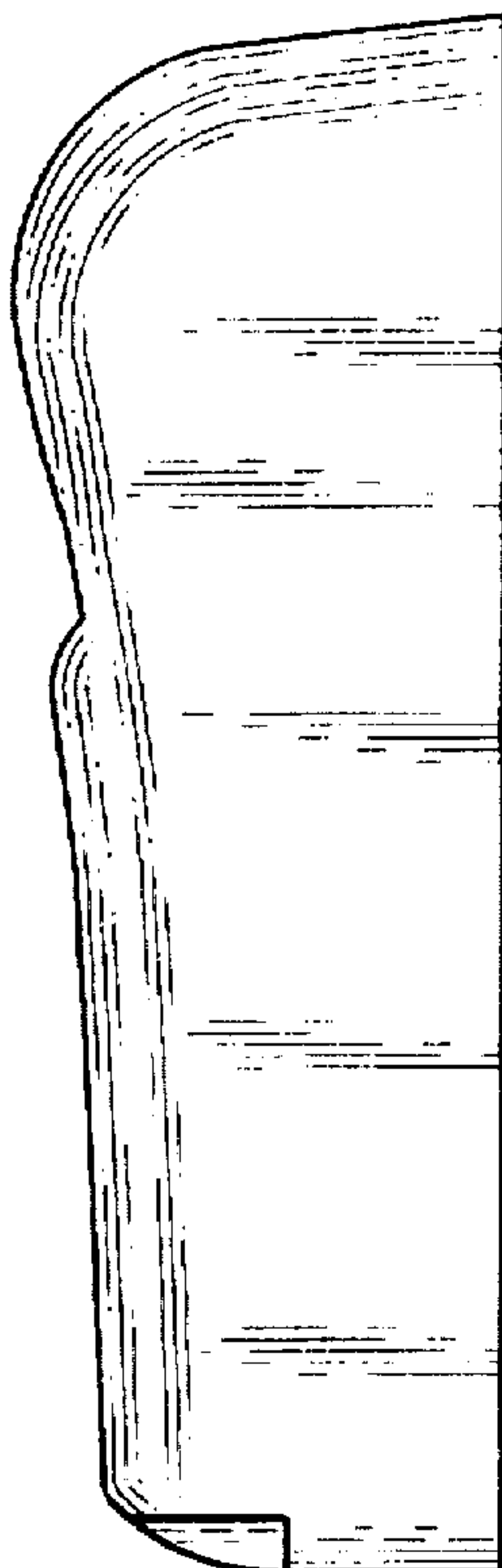


Fig. 6

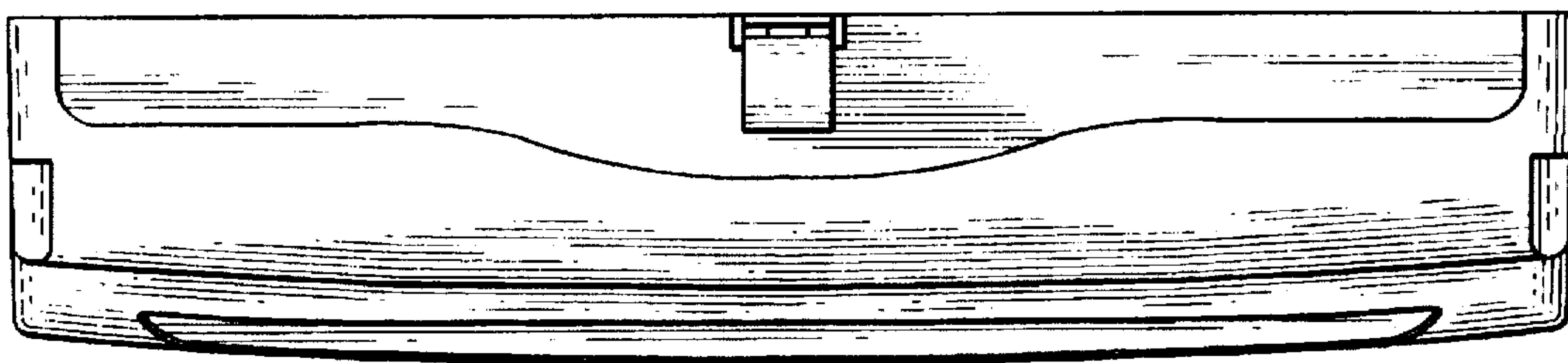


Fig. 7