

US00D393764S

United States Patent [19]
Hundertmark

[11] **Patent Number: Des. 393,764**

[45] **Date of Patent: **Apr. 28, 1998**

[54] **TABLE PEDESTAL**

[75] **Inventor: Volker Hundertmark, Raddestorf, Germany**

[73] **Assignee: Bemis Manufacturing Co., Sheboygan Falls, Wis.**

[**] **Term: 14 Years**

[21] **Appl. No.: 66,628**

[22] **Filed: Feb. 21, 1997**

[30] **Foreign Application Priority Data**

Aug. 23, 1996 [XH] Hague Agreement DMA/003434

[51] **LOC (6) CL 06-06**

[52] **U.S. Cl. D6/498**

[58] **Field of Search D6/480-489, 495-499, D6/429; 108/150, 153, 155, 156, 157; 248/188.1, 188.7, 188.8**

[56] **References Cited**

U.S. PATENT DOCUMENTS

D. 198,269 5/1964 Scheinfeld D6/498

D. 290,318 6/1987 Berry, Jr. D6/486
D. 368,193 3/1996 Walters D6/486
1,952,665 3/1934 Failey 108/150

Primary Examiner—Janice E. Seeger

Attorney, Agent, or Firm—Michael, Best & Friedrich LLP

[57] **CLAIM**

The ornamental design for a table pedestal, as shown and described.

DESCRIPTION

FIG. 1 is a perspective view of a table pedestal showing my new design;

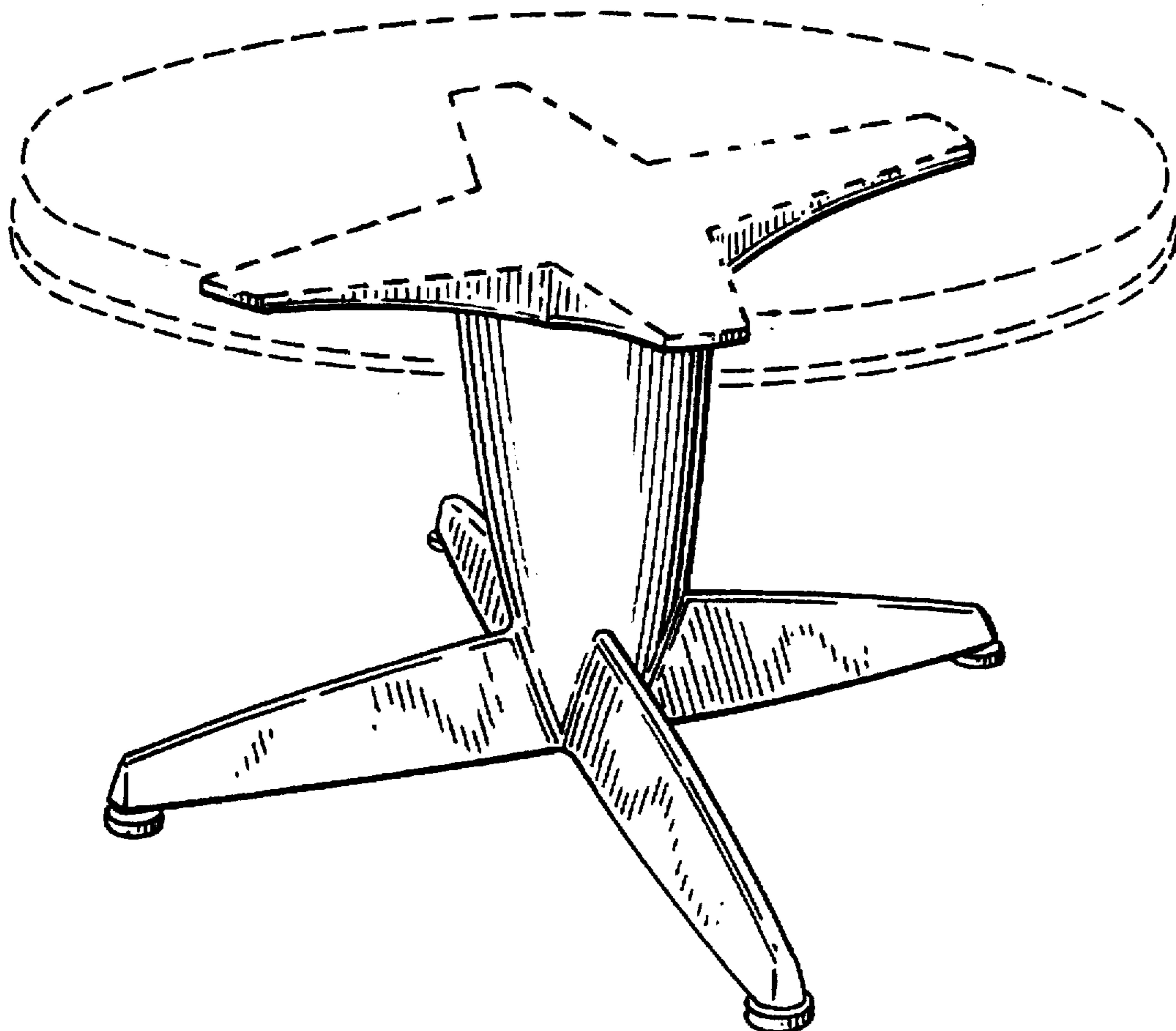
FIG. 2 is a front elevational view thereof, the rear elevational view and the left and right side elevational views being identical to that shown;

FIG. 3 is a view taken along line 3—3 in FIG. 2 showing the lower portion of the pedestal; and,

FIG. 4 is a view taken along line 4—4 in FIG. 2, showing the upper portion of the pedestal.

The broken line showing of the table top and top surface of the pedestal are for environmental purposes only and form no part of the claimed design.

1 Claim, 3 Drawing Sheets



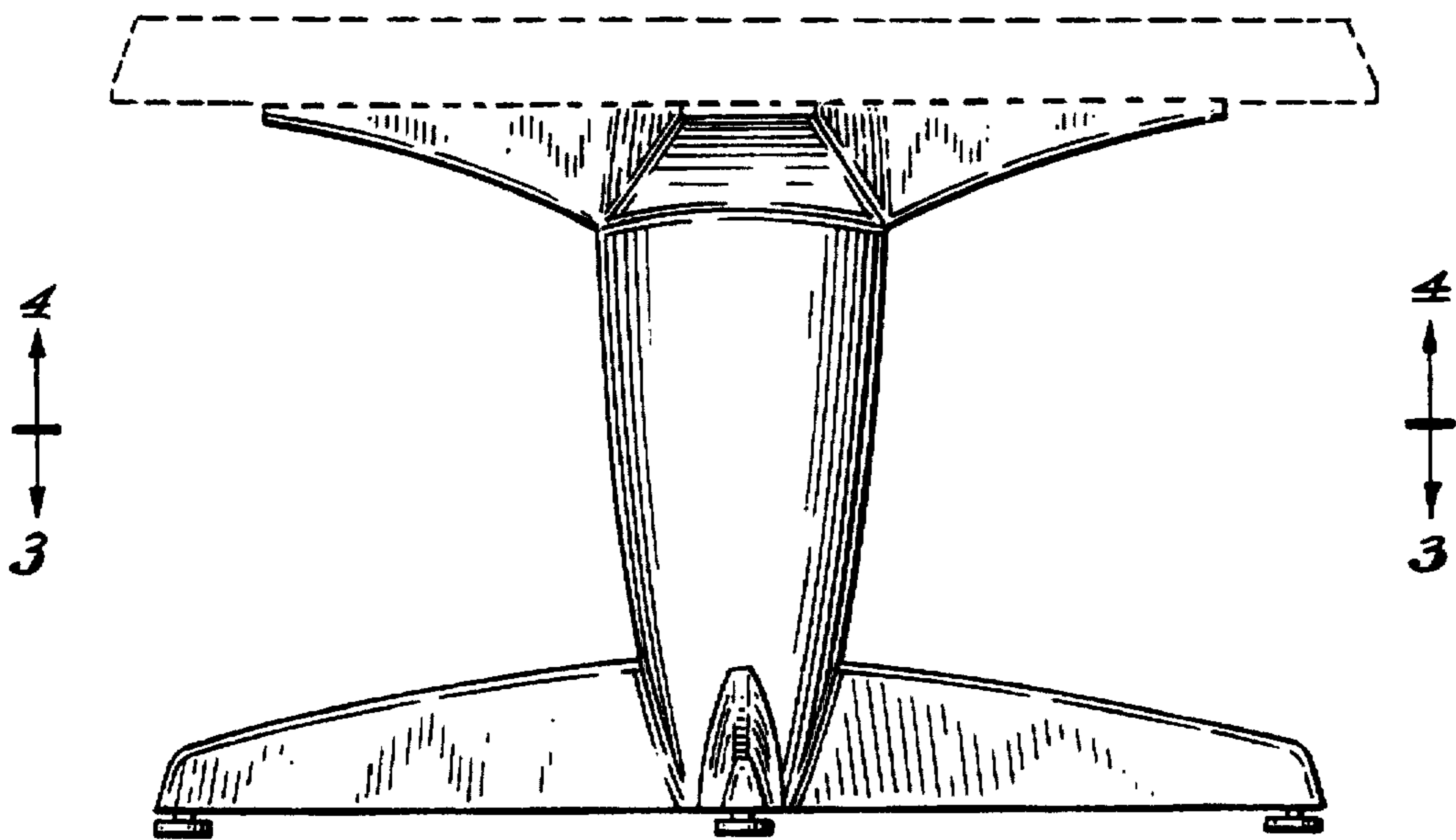
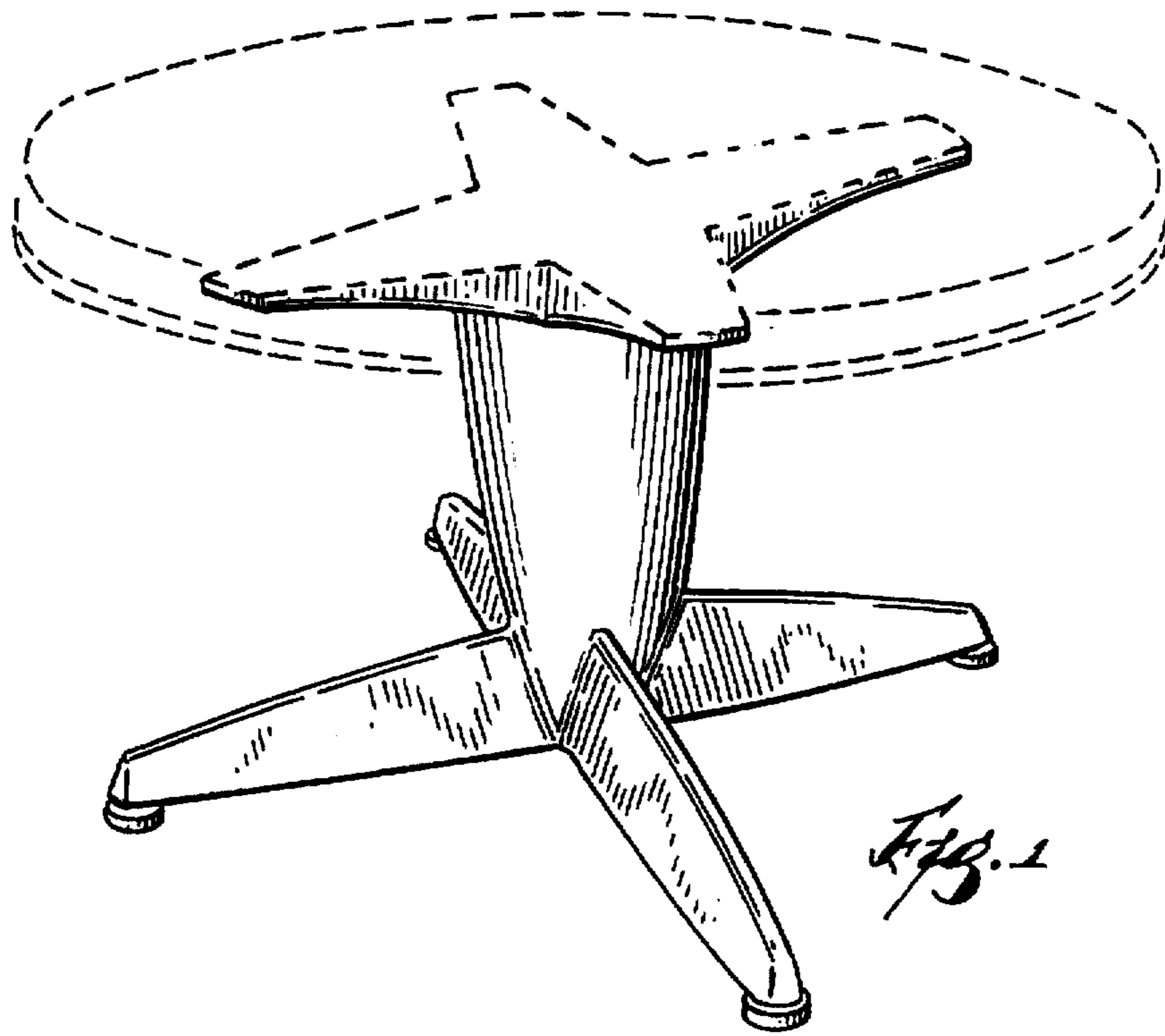


Fig. 2.

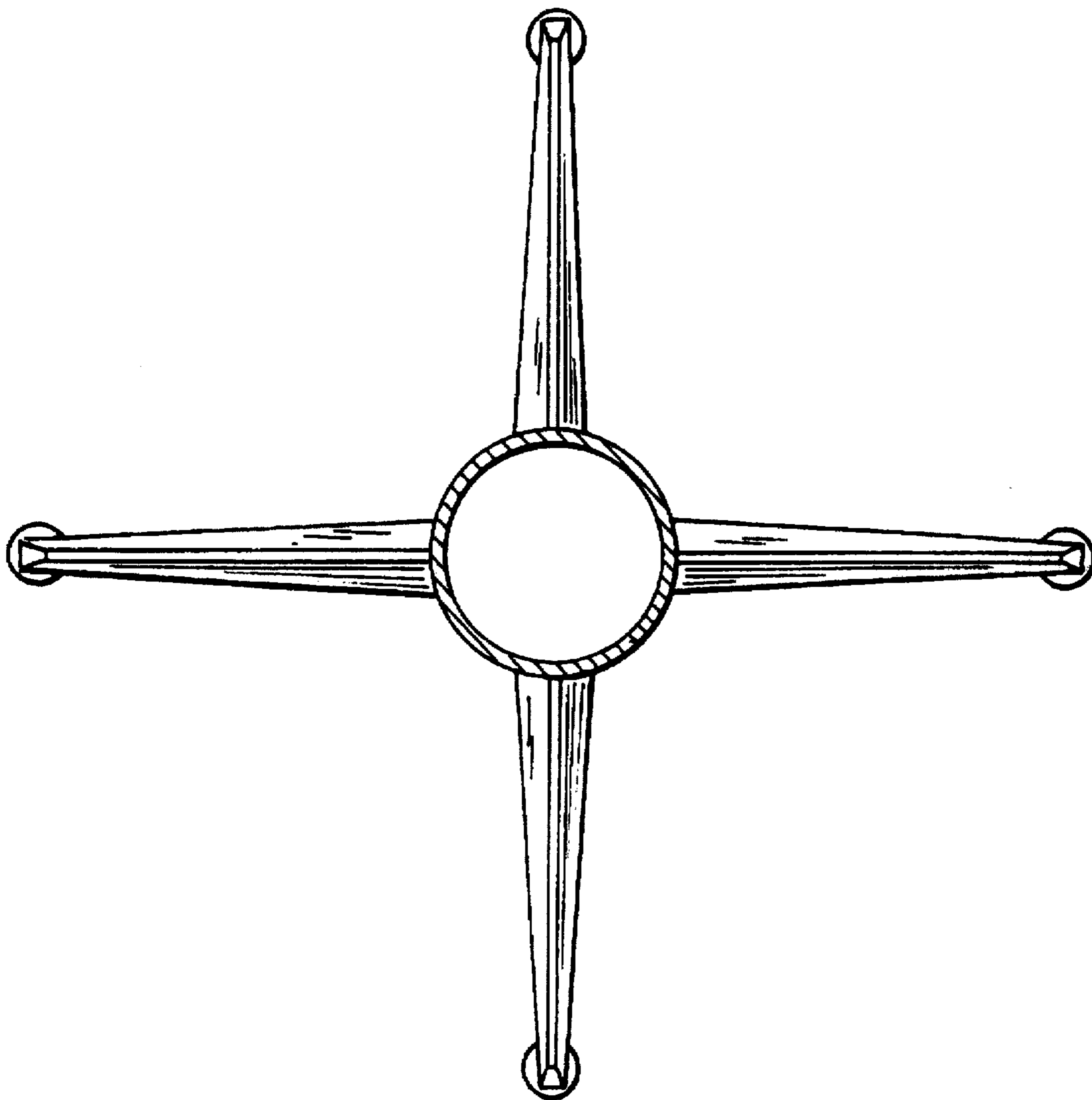


Fig. 3

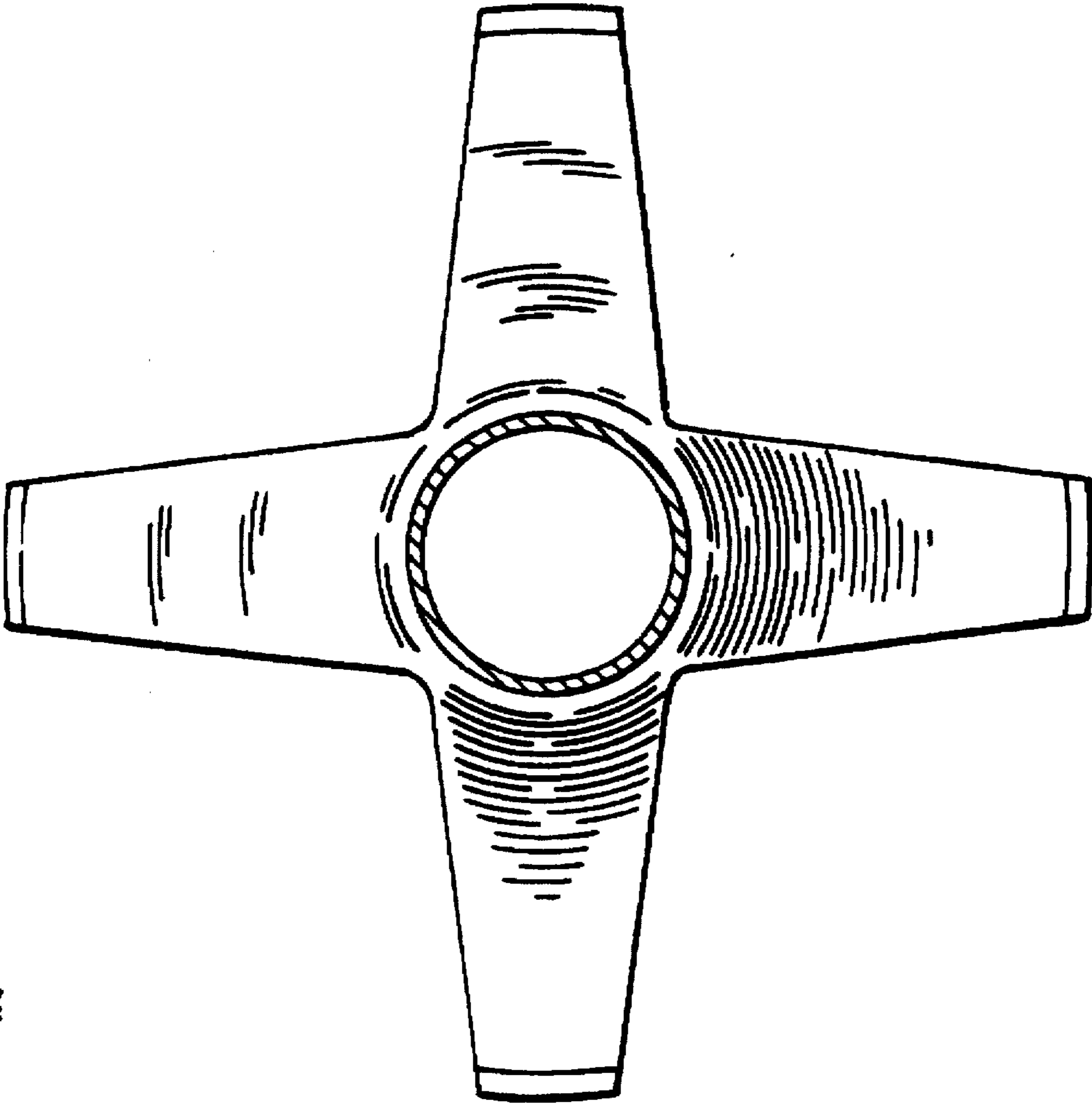


Fig. 4